



US00D847493S

(12) **United States Design Patent** (10) **Patent No.:** **US D847,493 S**
Pernefeldt et al. (45) **Date of Patent:** **** May 7, 2019**

- (54) **HARD CASE PACK**
- (71) Applicant: **Panji, LLC**, Telluride, CO (US)
- (72) Inventors: **Hanna Pernefeldt**, Ridgeway, CO (US); **Joshua Buck Jacobs**, Ridgeway, CO (US)
- (73) Assignee: **Panji, LLC**, Telluride, CO (US)
- (**) Term: **15 Years**
- (21) Appl. No.: **29/626,430**
- (22) Filed: **Nov. 16, 2017**
- (51) **LOC (11) Cl.** **03-01**
- (52) **U.S. Cl.**
USPC **D3/204**
- (58) **Field of Classification Search**
USPC D3/201, 204, 213-217, 273, 274, 276, D3/301, 321
CPC G10G 7/005; G10D 13/06
See application file for complete search history.

- D585,639 S * 2/2009 Taninbaum D3/204
- 7,665,604 B2 * 2/2010 Taninbaum A45C 11/00
206/314
- D613,940 S * 4/2010 Colwell D3/204
- D636,760 S 4/2011 Cheng
- D638,623 S * 5/2011 Chen D3/204
- D658,363 S * 5/2012 Biddle D3/217
- D660,585 S * 5/2012 McDonald D3/217

(Continued)

OTHER PUBLICATIONS

“Cases for Musical Instruments” Published Mar. 23, 2013. <http://www.naturfaserverbundwerkstoffe.de/en/product-examples/carrying-cases/composites-case-for-musical-instruments.php> [Attachment][Retrieved from the Internet Oct. 2, 2017].

(Continued)

Primary Examiner — Mitchell I. Siegel
(74) *Attorney, Agent, or Firm* — Michael Best & Friedrich LLP

(57) **CLAIM**

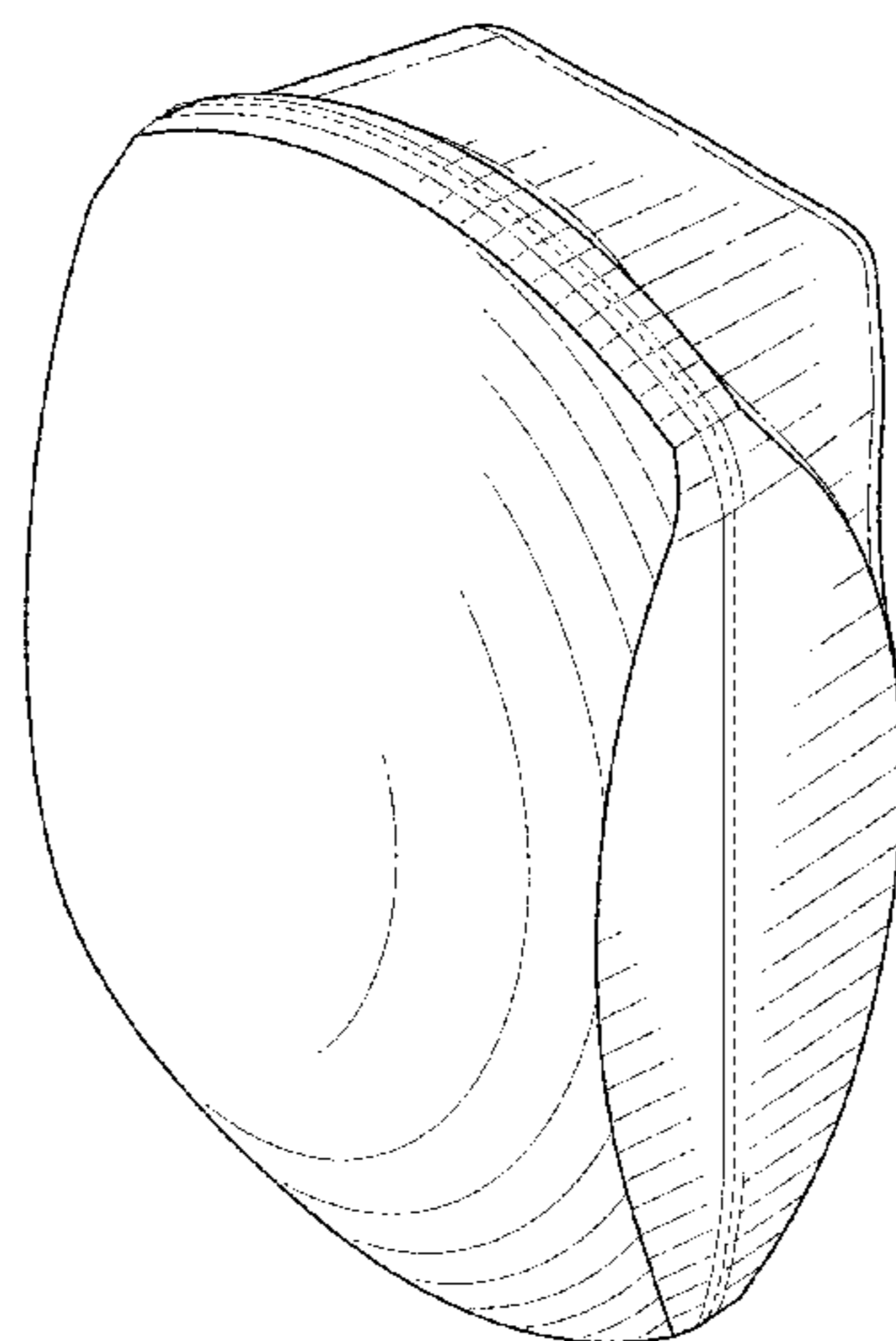
The ornamental design for a hard case pack, as shown and described.

DESCRIPTION

FIG. 1: A front perspective view of the hard case pack.
FIG. 2: A rear perspective view of the hard case pack.
FIG. 3: A front view of the hard case pack.
FIG. 4: A rear view of the hard case pack.
FIG. 5: A top view of the hard case pack.
FIG. 6: A bottom view of the hard case pack.
FIG. 7: A side view of the hard case pack; and,
FIG. 8 is a rear perspective view of the hard case pack, shown in an alternate position and being shown with unclaimed elements attached.
The broken line showing is included for the purpose of illustrating unclaimed elements on the claimed hard case pack and forms no part of the claimed design.

1 Claim, 6 Drawing Sheets

- (56) **References Cited**
- U.S. PATENT DOCUMENTS**
- 501,318 A * 7/1893 Boulanger G10G 7/005
206/314
- D247,195 S * 2/1978 Mikosz D3/204
- D247,196 S * 2/1978 Mikosz D3/204
- D247,197 S * 2/1978 Mikosz D3/204
- D281,289 S * 11/1985 Graham D3/204
- D283,464 S * 4/1986 Ogden D3/204
- 5,415,332 A * 5/1995 Kliot A45F 3/02
150/106
- D359,847 S * 7/1995 Callegari D3/216
- D471,353 S * 3/2003 Ho D3/216
- D537,072 S 2/2007 Kim et al.
- D543,350 S * 5/2007 Sanderson D3/201
- D549,955 S 9/2007 Berg et al.
- D555,894 S * 11/2007 Berg D3/204
- D561,990 S * 2/2008 Berg D3/204
- D570,596 S 6/2008 Berg et al.



(56)

References Cited

U.S. PATENT DOCUMENTS

D690,502 S * 10/2013 Bergquist D3/216
 D700,432 S * 3/2014 Music D3/204
 8,820,596 B1 * 9/2014 Bergquist A45F 4/02
 224/153
 D756,955 S 5/2016 Wagner
 D759,747 S 6/2016 Rohner et al.
 9,361,868 B1 * 6/2016 Spriggen G10D 13/06
 D766,356 S 9/2016 Rohner et al.
 D778,875 S 2/2017 Lukic et al.
 2003/0205593 A1 * 11/2003 Lavelle A41D 3/08
 224/153

OTHER PUBLICATIONS

“Hang® Gudu” <http://panart.ch/en/instruments/hang-gudu> [Attachment][Retrieved from the Internet Mar. 6, 2018].

“Backpack for Integral Hang” Blog, Published Aug. 17, 2008. <http://www.hangblog.org/page/12/> [Attachment] [Retrieved from the Internet Oct. 2, 2017].

“Organic Plastics—and the Hang / Gubal Protective Case—The PANArt Hang, HandPan, and the Hank Drum Explored” Published Sep. 18, 2015. <http://www.hangdrumsandhandpans.com/2015/09/organic-plastics-and-hang-gubal.html> [Attachment][Retrieved from the Internet Sep. 17, 2017].

“Polycase 2.1 Design” Published Jul. 21, 2016. <https://web.archive.org/web/20160721030415/http://www.hardcasetechnologies.com:80/polycase/> [Attachment][Retrieved from the Internet Jul. 21, 2016].

“ST-H01 Handpan bag backpack case with rigid padding Pockets individual custom” First published Mar. 20, 2015. <http://www.ebay.com/itm/ST-H01-Handpan-bag-backpack-case-with-rigid-padding-Pockets-individual-custom-/271772512364> [Attachment][Retrieved from the Internet Sep. 18, 2017].

“Handpan bag ST H03 fl 2015 Namana”, Published Aug. 9, 2016, Youtube Video <https://www.youtube.com/watch?v=ntkqPnk4aDs> [Attachment][Retrieved from the Internet Mar. 7, 2017].

“ST-H-FL01 Felt Leather bag for RAV drum”, Published Apr. 14, 2017, Youtube Video <https://www.youtube.com/watch?v=ye0Zmd0LOVg> [Attachment][Retrieved from the Internet Mar. 7, 2017].

“New Nylon Cordura Fiber Hardcase for Handpan” Published Sep. 6, 2017. <https://www.facebook.com/debagspro/posts/1540502769350189> [Attachment][Retrieved from the Internet Oct. 2, 2017].

“Hardcase Premium for Handpan” http://debagspro.com/index.php?id_product=114&controller=product&id_lang=1 [Attachment][Retrieved from the Internet Mar. 7, 2018].

“Professional Hangdrums Bag” http://debagspro.com/index.php?id_product=38&controller=product&id_lang=1 [Attachment][Retrieved from the Internet Mar. 7, 2018].

“Hardcase Premium for Handpan” http://debagspro.com/index.php?id_product=249&controller=product&id_lang=1 [Attachment][Retrieved from the Internet Mar. 7, 2018].

“Hang Drum Case—EthnoMagic” Published Dec. 10, 2016. <https://www.ethno-magic.com/shop/hard-fi-case-for-handpan-58-cm/> [Attachment][Retrieved from the Internet Oct. 2, 2017].

“Handpan Armored Travel Bag” Published Mar. 16, 2016. <https://hapidrum.co/handpan-armored-travel-bag.aspx> [Attachment][Retrieved from the Internet Oct. 2, 2017].

Published Mar. 25, 2016. <https://www.instagram.com/panjibags/> [Attachment][Retrieved from the Internet Mar. 25, 2016].

Published Mar. 26, 2016. <https://www.instagram.com/panjibags/> [Attachment][Retrieved from the Internet Mar. 26, 2016].

Published Mar. 27, 2016. <https://www.instagram.com/panjibags/> [Attachment][Retrieved from the Internet Mar. 27, 2016].

Published Apr. 16, 2016. <https://www.instagram.com/panjibags/> [Attachment][Retrieved from the Internet Apr. 16, 2016].

Published Apr. 22, 2016. <https://www.instagram.com/panjibags/> [Attachment][Retrieved from the Internet Apr. 22, 2016].

Published May 20, 2016. <https://www.instagram.com/panjibags/> [Attachment][Retrieved from the Internet May 20, 2016].

Published Jul. 8, 2016. <https://www.instagram.com/panjibags/> [Attachment][Retrieved from the Internet Jul. 8, 2016].

Published Oct. 31, 2016. <https://www.instagram.com/panjibags/> [Attachment][Retrieved from the Internet Oct. 31, 2016].

Published Nov. 17, 2016. <https://www.instagram.com/panjibags/> [Attachment][Retrieved from the Internet Nov. 17, 2016].

“TEDxSalford—Davide Swarup | Davide Swarup” Published Sep. 22, 2012. <https://web.archive.org/web/20120922163442/http://www.davideswarup.com:80/endorsement/> [Attachment][Retrieved from the Internet Oct. 2, 2017].

“Poly Case and Davide Swarup \ Hang Music—David Swarup” Accessed Sep. 17, 2017. <http://www.davideswarup.com/endorsement/> [Attachment][Retrieved from the Internet Sep. 17, 2017].

“Hardcase Technologies, Polycase 2.0” Published Jun. 12, 2015. <https://web.archive.org/web/20150612040807/http://www.hardcasetechnologies.com/polycase/> [Attachment][Retrieved from the Internet Jun. 12, 2015].

“Polycase 2.1 Official Crash Test Dec. 2005 by Hct Crew.” Published Dec 15, 2005. <https://www.youtube.com/watch?v=pVGeB5V4Ykw> [Attachment][Retrieved from the Internet Apr. 6, 2016].

Alien Mark website, published Oct. 31, 2015, <URL:<https://web.archive.org/web/20170204123018/http://alienmark.com/chanpinzx/xiangbaolei/laganxiang/2015-10-31/1.html>> [Attachment][retrieved from the Internet Feb. 23, 2018].

Boblbee Backpack Systems, Point 65 website (Swedish Brand) <URL:<https://packs.point65.com/>> [Attachment] [retrieved from the Internet Feb. 23, 2018].

* cited by examiner

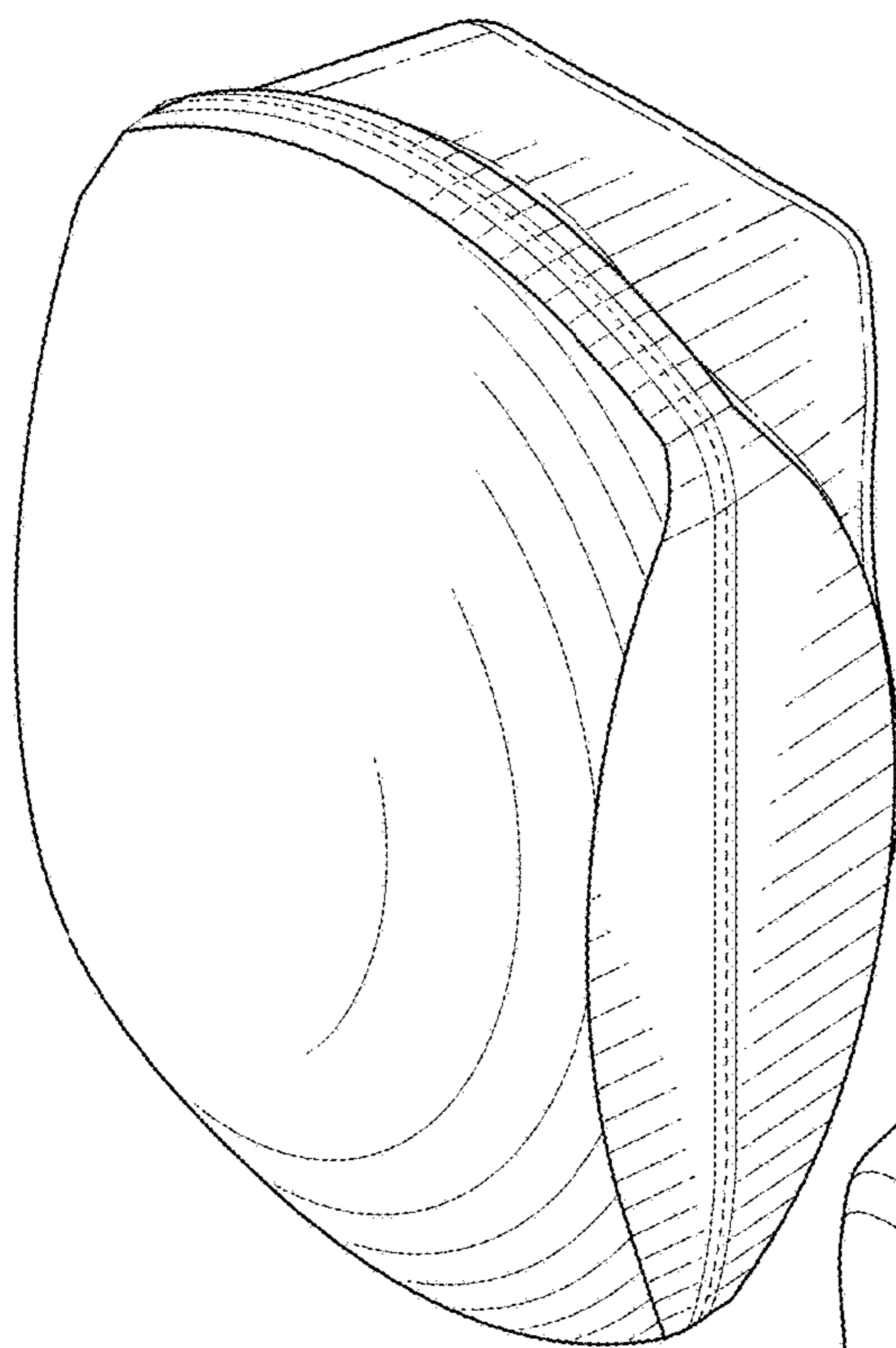


FIG. 1

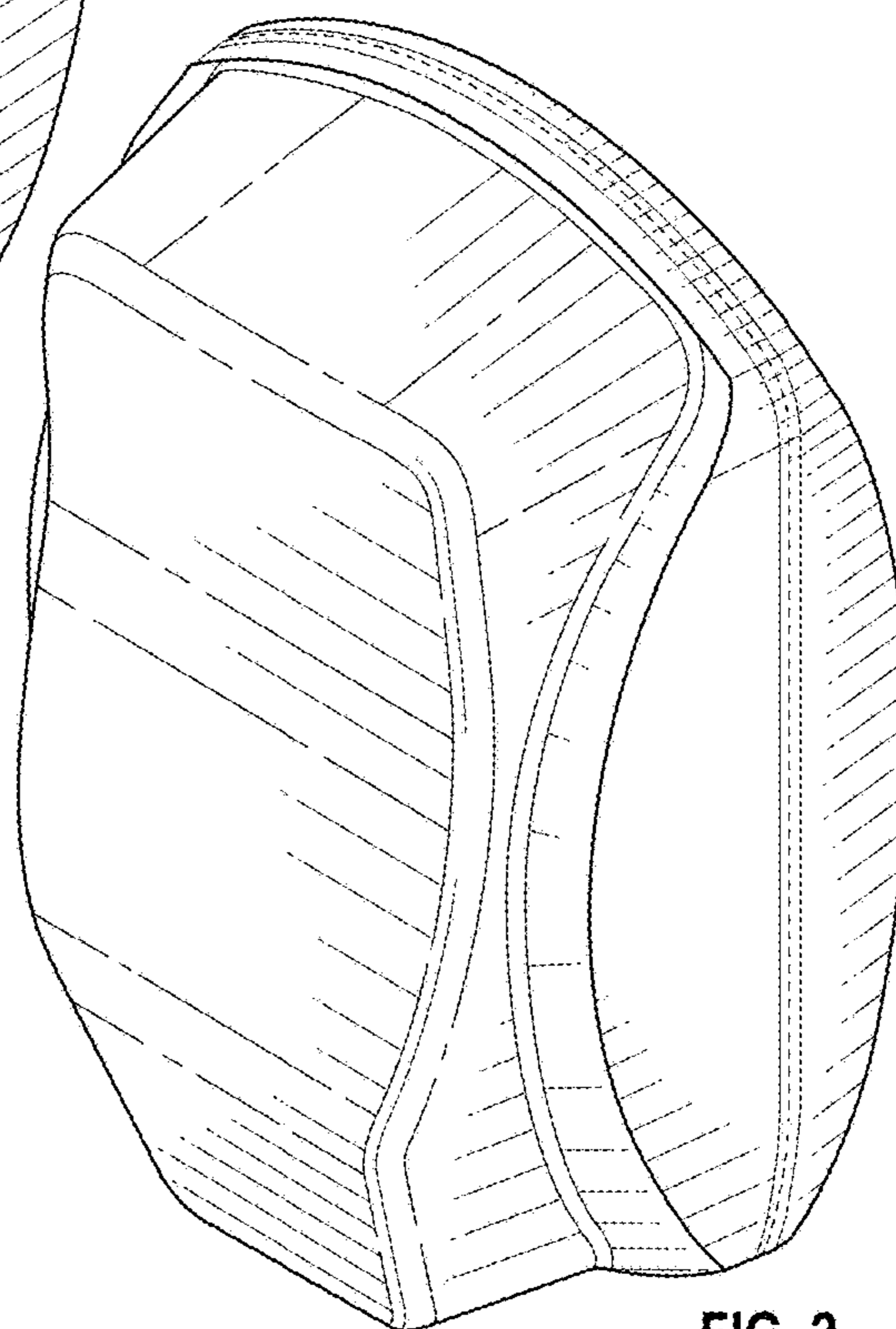


FIG. 2

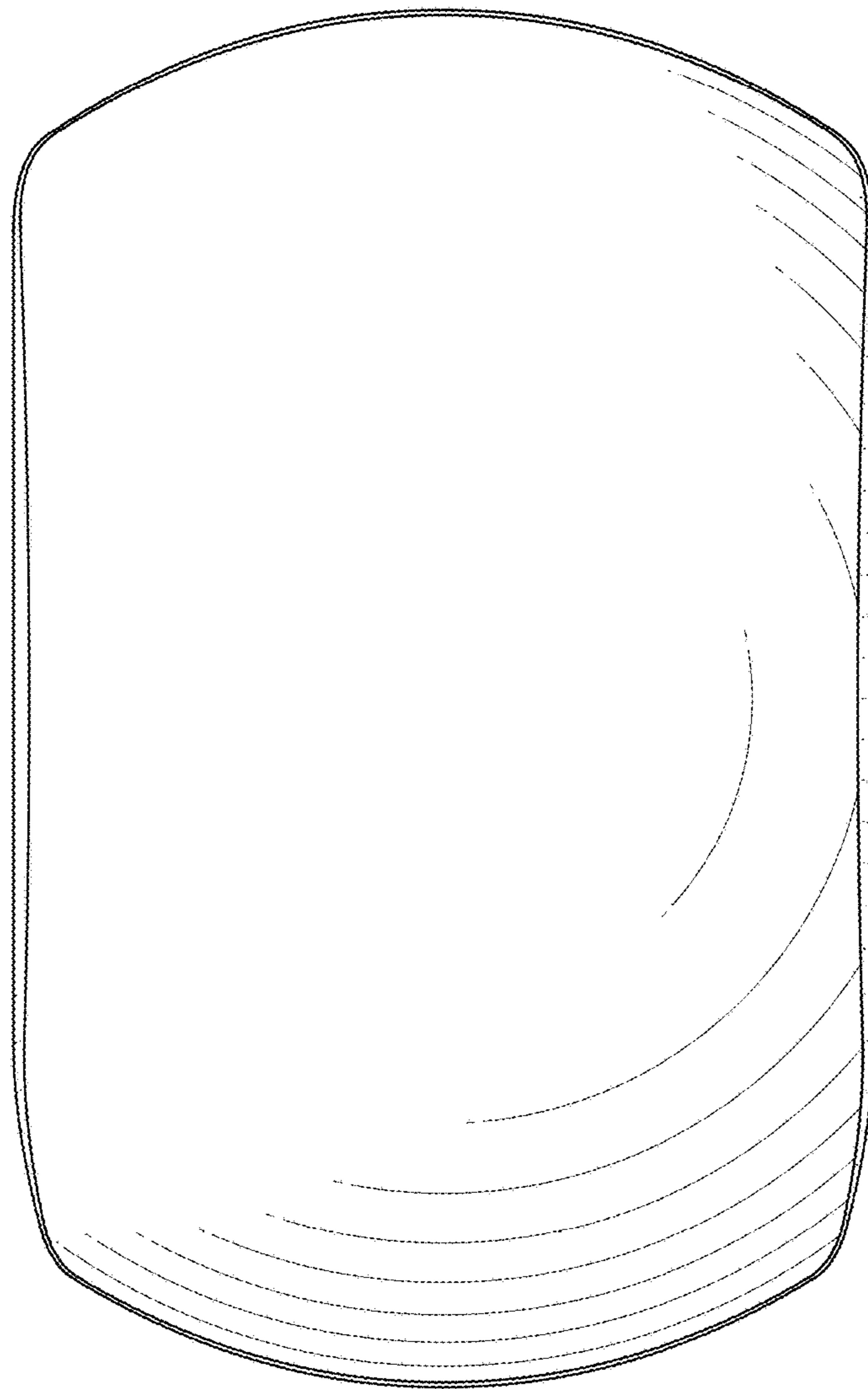


FIG. 3

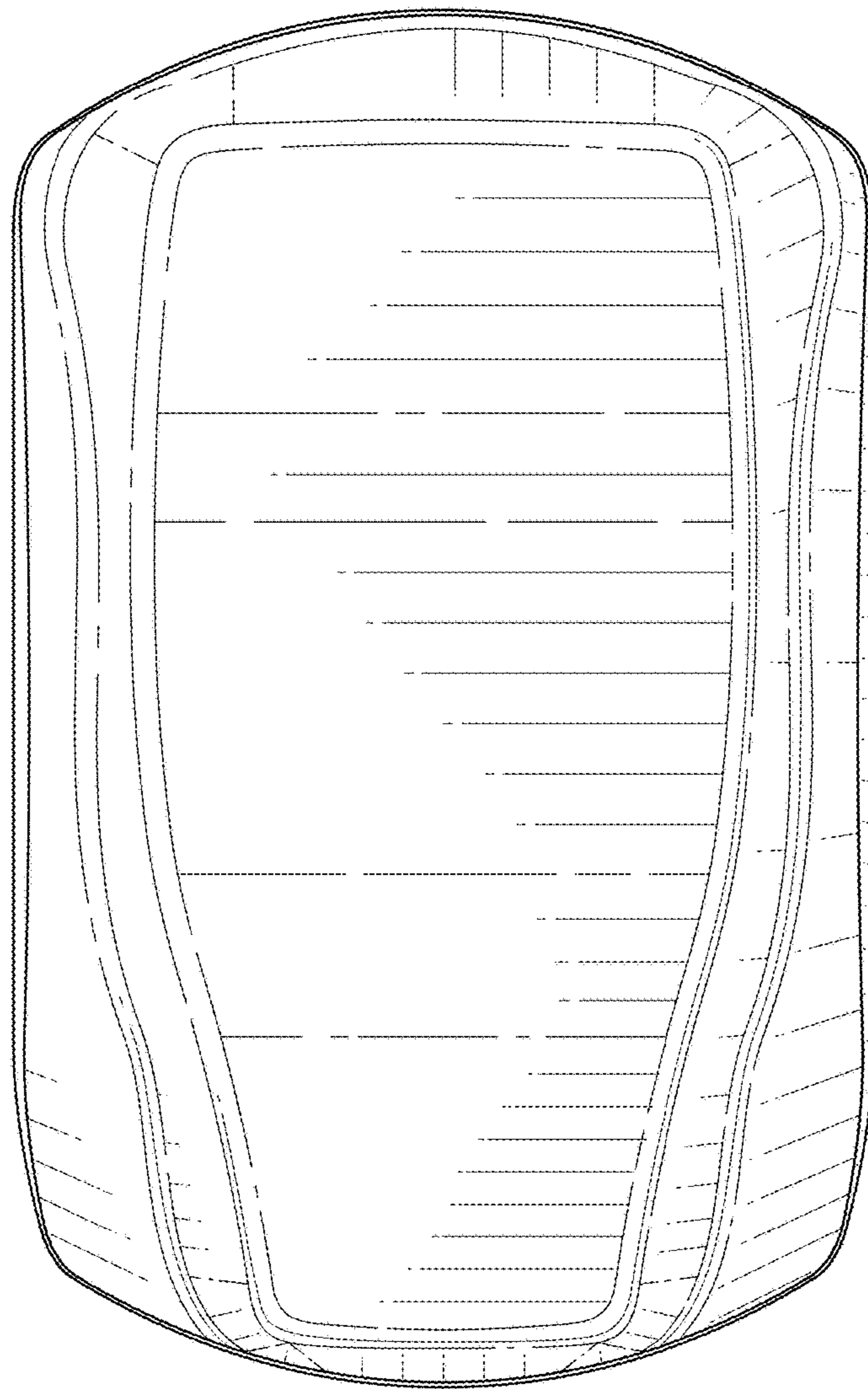


FIG. 4

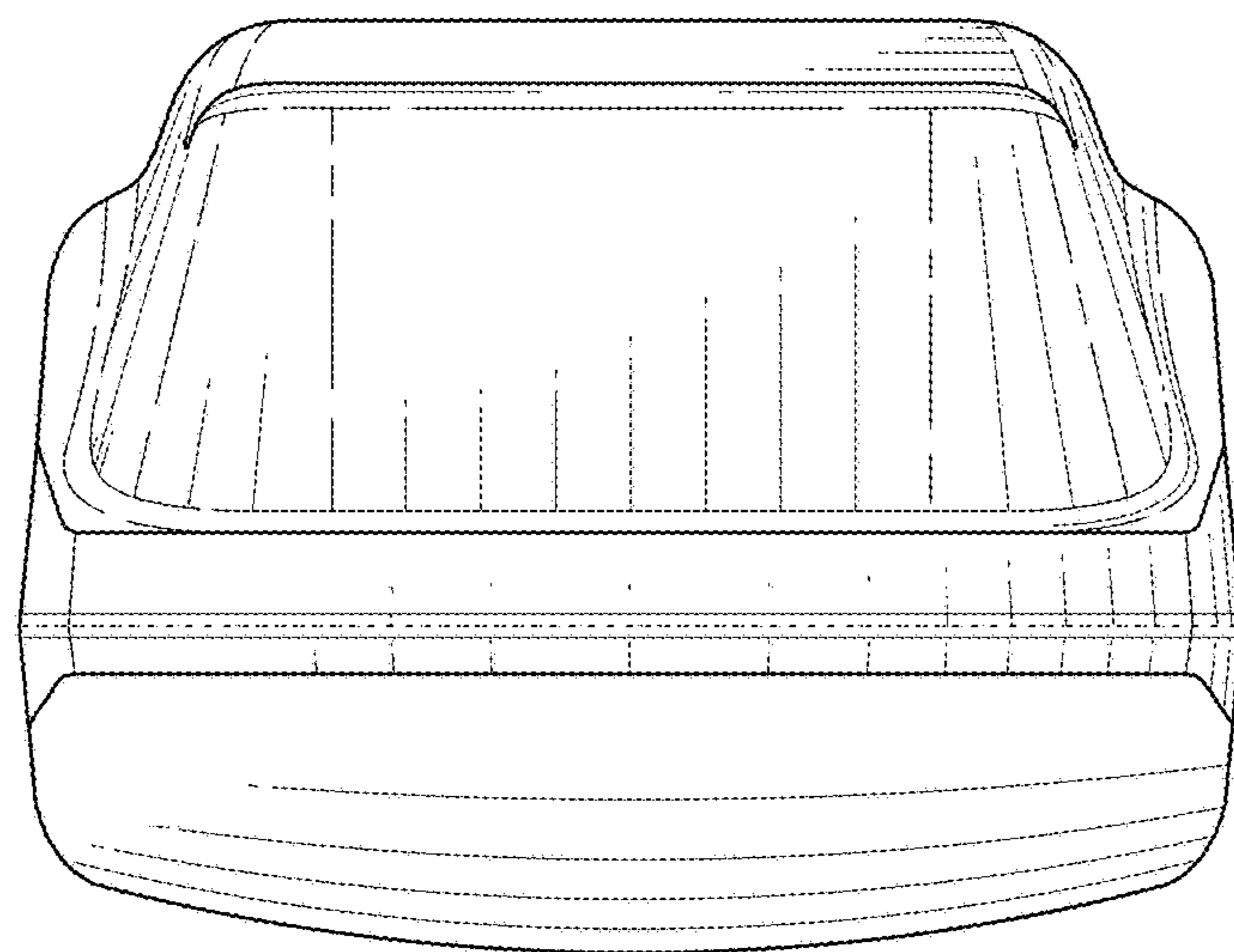


FIG. 5

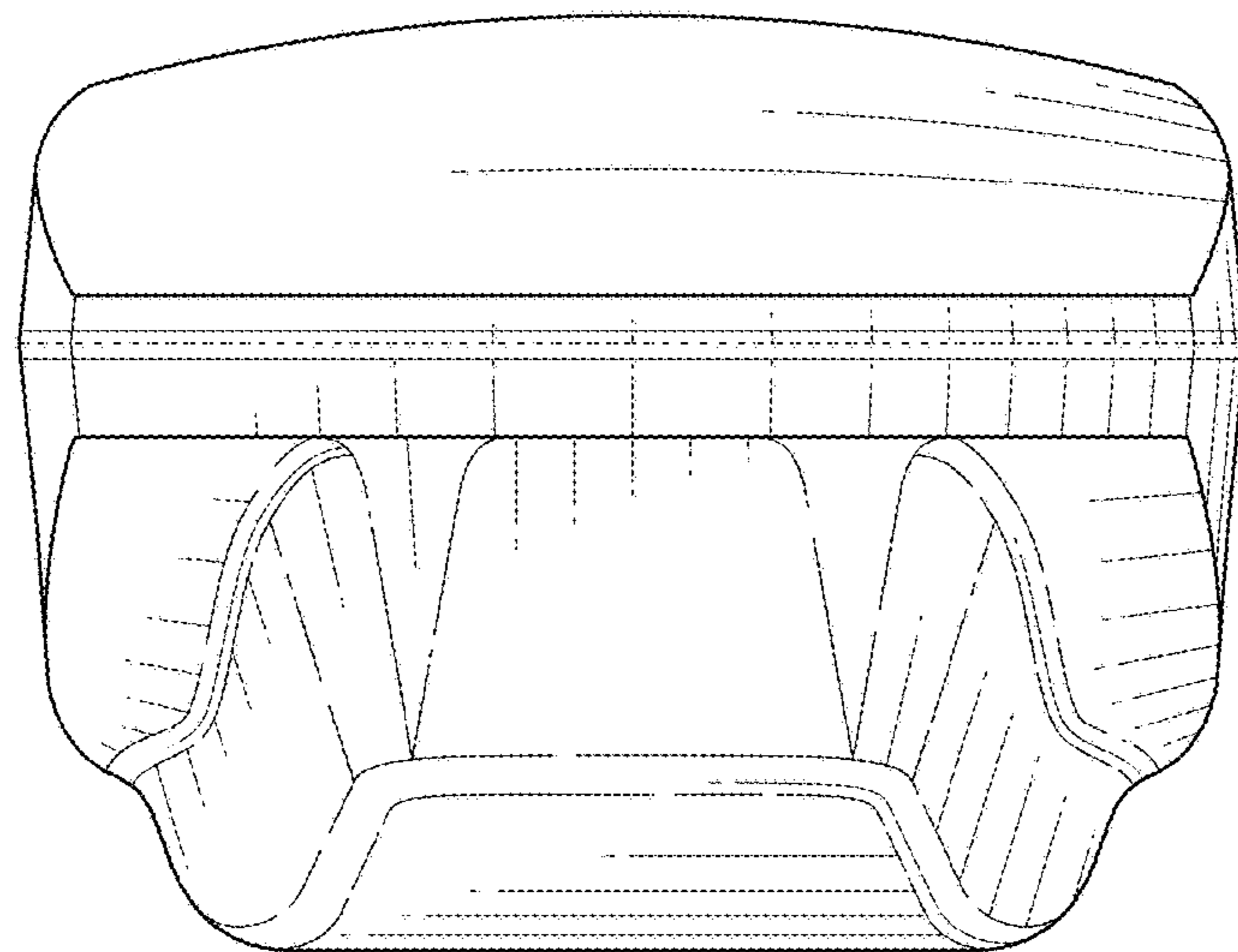


FIG. 6

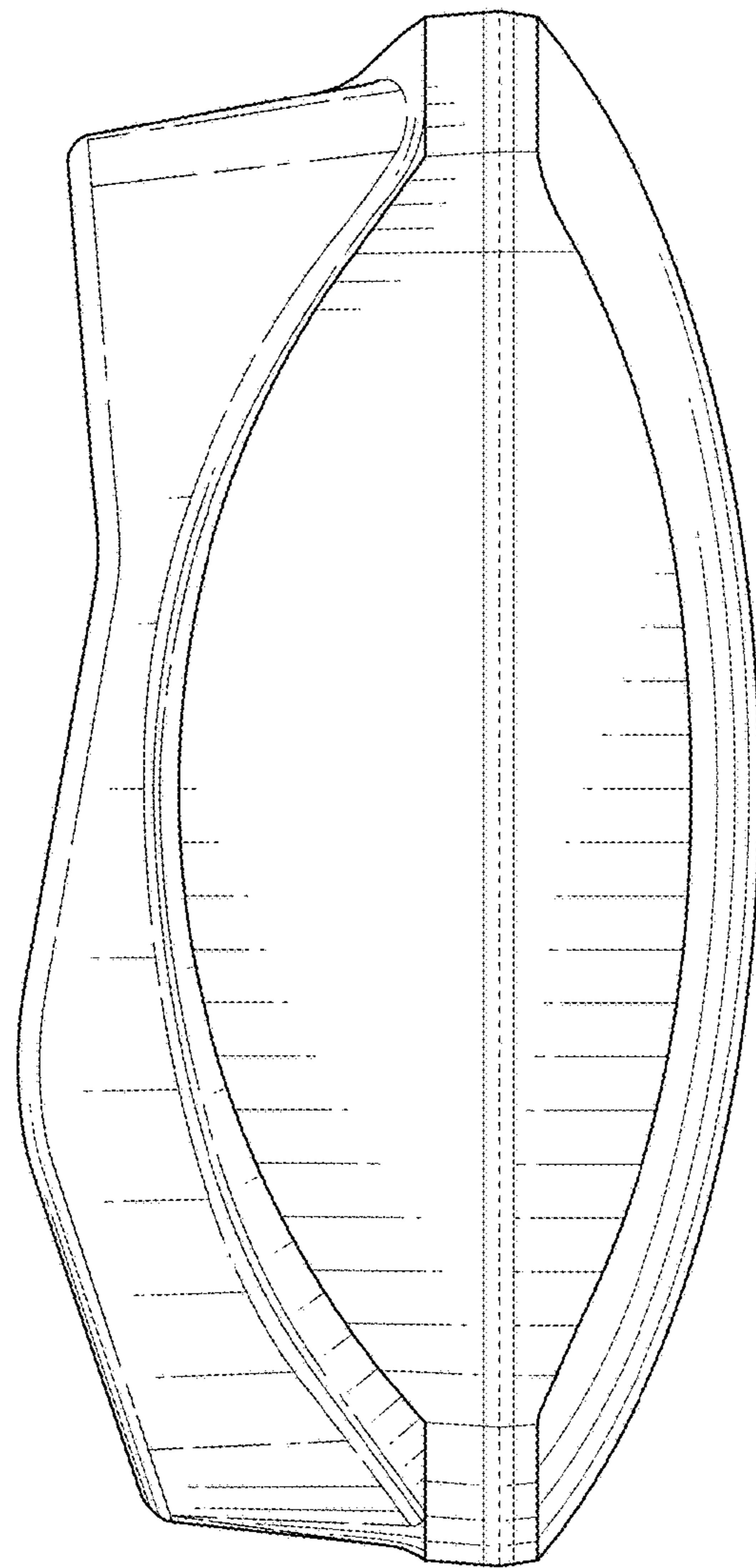


FIG. 7

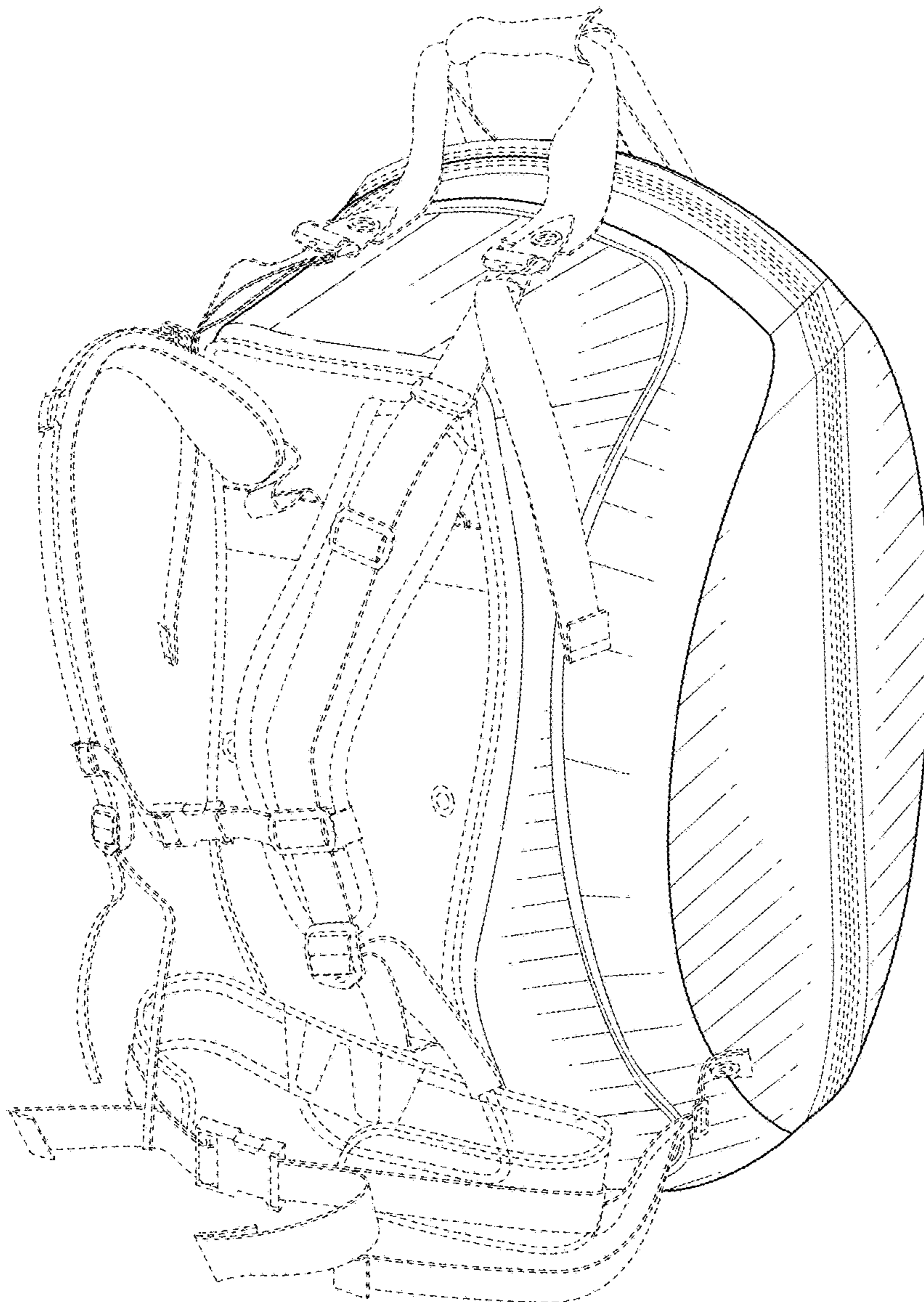


FIG. 8