



US00D847492S

(12) **United States Design Patent** (10) **Patent No.:** **US D847,492 S**  
**Pernefeldt et al.** (45) **Date of Patent:** **\*\* May 7, 2019**

- (54) **HARD CASE PACK**
- (71) Applicant: **Panji, LLC**, Telluride, CO (US)
- (72) Inventors: **Hanna Pernefeldt**, Ridgway, CO (US);  
**Joshua Buck Jacobs**, Ridgway, CO (US)
- (73) Assignee: **Panji, LLC**, Telluride, CO (US)
- (\*\*) Term: **15 Years**
- (21) Appl. No.: **29/626,429**
- (22) Filed: **Nov. 16, 2017**
- (51) **LOC (11) Cl.** ..... **03-01**
- (52) **U.S. Cl.**  
USPC ..... **D3/204**
- (58) **Field of Classification Search**  
USPC ..... D3/201, 204, 213-217, 273, 274, 276,  
D3/301, 321  
CPC ..... G10G 7/005; G10D 13/06  
See application file for complete search history.

- D585,639 S \* 2/2009 Taninbaum ..... D3/204
- 7,665,604 B2 \* 2/2010 Taninbaum ..... A45C 11/00  
206/314
- D613,940 S \* 4/2010 Colwell ..... D3/204
- D636,760 S 4/2011 Cheng
- D638,623 S \* 5/2011 Chen ..... D3/204
- D658,363 S \* 5/2012 Biddle ..... D3/217
- D660,585 S \* 5/2012 McDonald ..... D3/217

(Continued)

**OTHER PUBLICATIONS**

“Cases for Musical Instruments” Published Mar. 23, 2013. <http://www.naturfaserverbundwerkstoffe.de/en/product-examples/carrying-cases/composites-case-for-musical-instruments.php> [Attachment][Retrieved from the Internet Oct. 2, 2017].

(Continued)

*Primary Examiner* — Mitchell I. Siegel  
(74) *Attorney, Agent, or Firm* — Michael Best & Friedrich LLP

(57) **CLAIM**

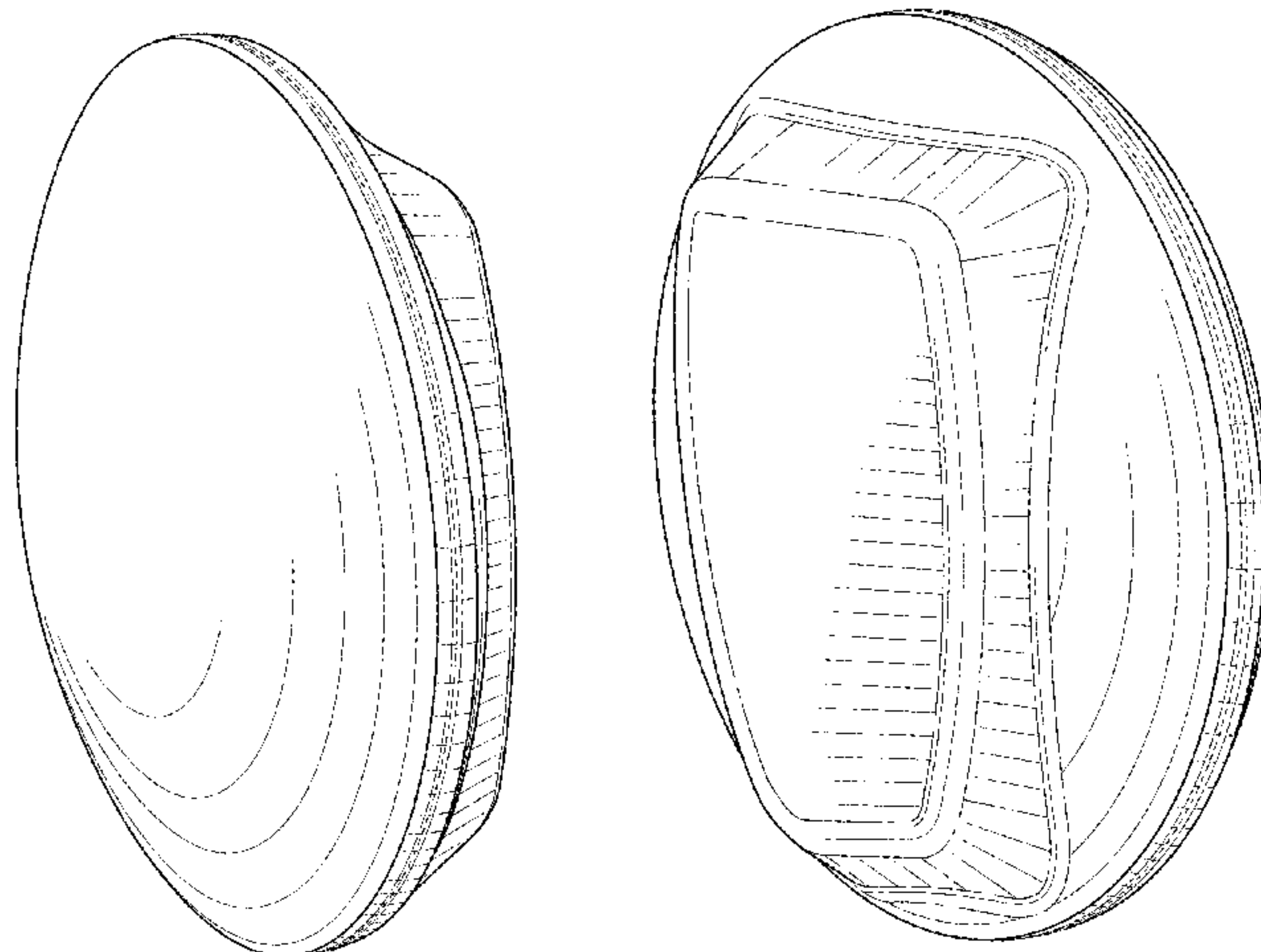
The ornamental design for a hard case pack, as shown and described.

**DESCRIPTION**

FIG. 1: A front perspective view of the hard case pack.  
FIG. 2: A rear perspective view of the hard case pack.  
FIG. 3: A front view of the hard case pack.  
FIG. 4: A rear view of the hard case pack.  
FIG. 5: A top view of the hard case pack.  
FIG. 6: A bottom view of the hard case pack.  
FIG. 7: A side view of the hard case pack; and,  
FIG. 8 is a rear perspective view of the hard case pack, shown in an alternate position and being shown with unclaimed elements attached.  
The broken line showing is included for the purpose of illustrating unclaimed elements on the claimed hard case pack and forms no part of the claimed design.

**1 Claim, 6 Drawing Sheets**

- (56) **References Cited**
- U.S. PATENT DOCUMENTS
- 501,318 A \* 7/1893 Boulanger ..... G10G 7/005  
206/314
- D247,195 S \* 2/1978 Mikosz ..... D3/204
- D247,196 S \* 2/1978 Mikosz ..... D3/204
- D247,197 S \* 2/1978 Mikosz ..... D3/204
- D281,289 S \* 11/1985 Graham ..... D3/204
- D283,464 S \* 4/1986 Ogden ..... D3/204
- 5,415,332 A \* 5/1995 Kliot ..... A45F 3/02  
150/106
- D359,847 S \* 7/1995 Callegari ..... D3/216
- D471,353 S \* 3/2003 Ho ..... D3/216
- D537,072 S 2/2007 Kim et al.
- D543,350 S \* 5/2007 Sanderson ..... D3/201
- D549,955 S 9/2007 Berg et al.
- D555,894 S \* 11/2007 Berg ..... D3/204
- D561,990 S \* 2/2008 Berg ..... D3/204
- D570,596 S 6/2008 Berg et al.



(56)

## References Cited

## U.S. PATENT DOCUMENTS

D690,502 S *	10/2013	Bergquist .....	D3/216
D700,432 S *	3/2014	Music .....	D3/204
8,820,596 B1 *	9/2014	Bergquist .....	A45F 4/02 224/153
D756,955 S	5/2016	Wagner	
D759,747 S	6/2016	Rohner et al.	
9,361,868 B1 *	6/2016	Spriggen .....	G10D 13/06
D766,356 S	9/2016	Rohner et al.	
D778,875 S	2/2017	Lukic et al.	
2003/0205593 A1 *	11/2003	Lavelle .....	A41D 3/08 224/153

## OTHER PUBLICATIONS

“Hang® Gudu” <http://panart.ch/en/instruments/hang-gudu> [Attachment][Retrieved from the Internet Mar. 6, 2018].

“Backpack for Integral Hang” Blog, Published Aug. 17, 2008. <http://www.hangblog.org/page/12/> [Attachment] [Retrieved from the Internet Oct. 2, 2017].

“Organic Plastics—And the Hang / Gubal Protective Case—The PANArt Hang, HandPan, and the hank Drum Explored” Published Sep. 18, 2015. <http://www.hangdrumsandhandpans.com/2015/09/organic-plastics-and-hang-gubal.html> [Attachment][Retrieved from the Internet Sep. 17, 2017].

“Polycase 2.1 Design” Published Jul. 21, 2016. <https://web.archive.org/web/20160721030415/http://www.hardcasetechnologies.com:80/polycase/> [Attachment][Retrieved from the Internet Jul. 21, 2016].

“ST-H01 Handpan bag backpack case with rigid paddling Pockets individual custom” First published Mar. 20, 2015. <http://www.ebay.com/itm/ST-H01-Handpan-bag-backpack-case-with-rigid-padding-Pockets-individual-custom-/271772512364> [Attachment][Retrieved from the Internet Sep. 18, 2017].

“Handpan bag ST H03 fl 2015 Namana”, Published Aug. 9, 2016, Youtube Video <https://www.youtube.com/watch?v=ntkqPnk4aDs> [Attachment][Retrieved from the Internet Mar. 7, 2017].

“ST-H-FL01 Felt Leather bag for RAV drum”, Published Apr. 14, 2017, Youtube Video <https://www.youtube.com/watch?v=ye0Zmd0LOVg> [Attachment][Retrieved from the Internet Mar. 7, 2017].

“New Nylon Cordura Fiber Hardcase for Handpan” Published Sep. 6, 2017. <https://www.facebook.com/debagspro/posts/1540502769350189> [Attachment][Retrieved from the Internet Oct. 2, 2017].

“Hardcase Premium for Handpan” [http://debagspro.com/index.php?id\\_product=114&controller=product&id\\_lang=1](http://debagspro.com/index.php?id_product=114&controller=product&id_lang=1) [Attachment][Retrieved from the Internet Mar. 7, 2018].

“Professional Hangdrums Bag” [http://debagspro.com/index.php?id\\_product=38&controller=product&id\\_lang=1](http://debagspro.com/index.php?id_product=38&controller=product&id_lang=1) [Attachment][Retrieved from the Internet Mar. 7, 2018].

“Hardcase Premium for Handpan” [http://debagspro.com/index.php?id\\_product=249&controller=product&id\\_lang=1](http://debagspro.com/index.php?id_product=249&controller=product&id_lang=1) [Attachment][Retrieved from the Internet Mar. 7, 2018].

“Hang Drum Case—EthnoMagic” Published Dec. 10, 2016. <https://www.ethno-magic.com/shop/hard-fl-case-for-handpan-58-cm/> [Attachment][Retrieved from the Internet Oct. 2, 2017].

“Handpan Armored Travel Bag” Published Mar. 16, 2016. <https://hapidrum.co/handpan-armored-travel-bag.aspx> [Attachment][Retrieved from the Internet Oct. 2, 2017].

Published Mar. 25, 2016. <https://www.instagram.com/panjibags/> [Attachment][Retrieved from the Internet Mar. 25, 2016].

Published Mar. 26, 2016. <https://www.instagram.com/panjibags/> [Attachment][Retrieved from the Internet Mar. 26, 2016].

Published Mar. 27, 2016. <https://www.instagram.com/panjibags/> [Attachment][Retrieved from the Internet Mar. 27, 2016].

Published Apr. 16, 2016. <https://www.instagram.com/panjibags/> [Attachment][Retrieved from the Internet Apr. 16, 2016].

Published Apr. 22, 2016. <https://www.instagram.com/panjibags/> [Attachment][Retrieved from the Internet Apr. 22, 2016].

Published May 20, 2016. <https://www.instagram.com/panjibags/> [Attachment][Retrieved from the Internet May 20, 2016].

Published Jul. 8, 2016. <https://www.instagram.com/panjibags/> [Attachment][Retrieved from the Internet Jul. 8, 2016].

Published Oct. 31, 2016. <https://www.instagram.com/panjibags/> [Attachment][Retrieved from the Internet Oct. 31, 2016].

Published Nov. 17, 2016. <https://www.instagram.com/panjibags/> [Attachment][Retrieved from the Internet Nov. 17, 2016].

“TEDxSalford—Davide Swarup | Davide Swarup” Published Sep. 22, 2012. <https://web.archive.org/web/20120922163442/http://www.davideswarup.com:80/endorsement/> [Attachment][Retrieved from the Internet Oct. 2, 2017].

“Poly Case and Davide Swarup \ Hang Music—David Swarup” Accessed Sep. 17, 2017. <http://www.davideswarup.com/endorsement/> [Attachment][Retrieved from the Internet Sep. 17, 2017].

“Hardcase Technologies, Polycase 2.0” Published Jun. 12, 2015. <https://web.archive.org/web/20150612040807/http://www.hardcasetechnologies.com/polycase/> [Attachment][Retrieved from the Internet Jun. 16, 2015].

“Polycase 2.1 Official Crash Test Dec. 2005 by Hct Crew.” Published Dec. 15, 2005. <https://www.youtube.com/watch?v=pVGeB5V4Ykw> [Attachment][Retrieved from the Internet Apr. 16, 2016].

Alien Mark website, published Oct. 31, 2015, <URL:<https://web.archive.org/web/20170204123018/http://alienmark.com/chanpinzx/xiangbaolei/laganxiang/2015-10-31/1.html>> [Attachment][retrieved from the Internet Feb. 23, 2018].

Boblbee Backpack Systems, Point 65 website (Swedish Brand) <URL:<https://packs.point65.com/>> [Attachment] [retrieved from the Internet Feb. 23, 2018].

\* cited by examiner



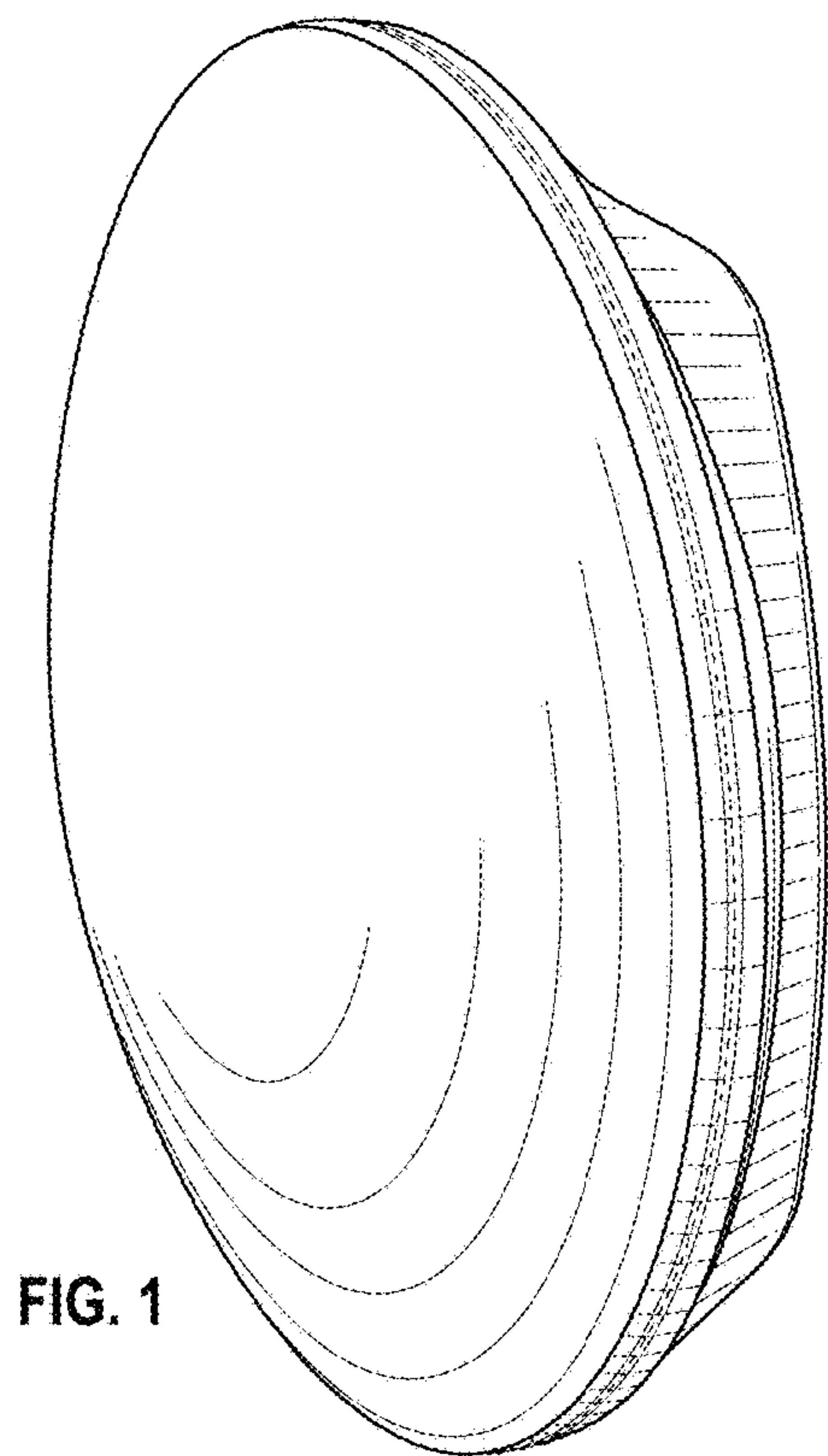


FIG. 1

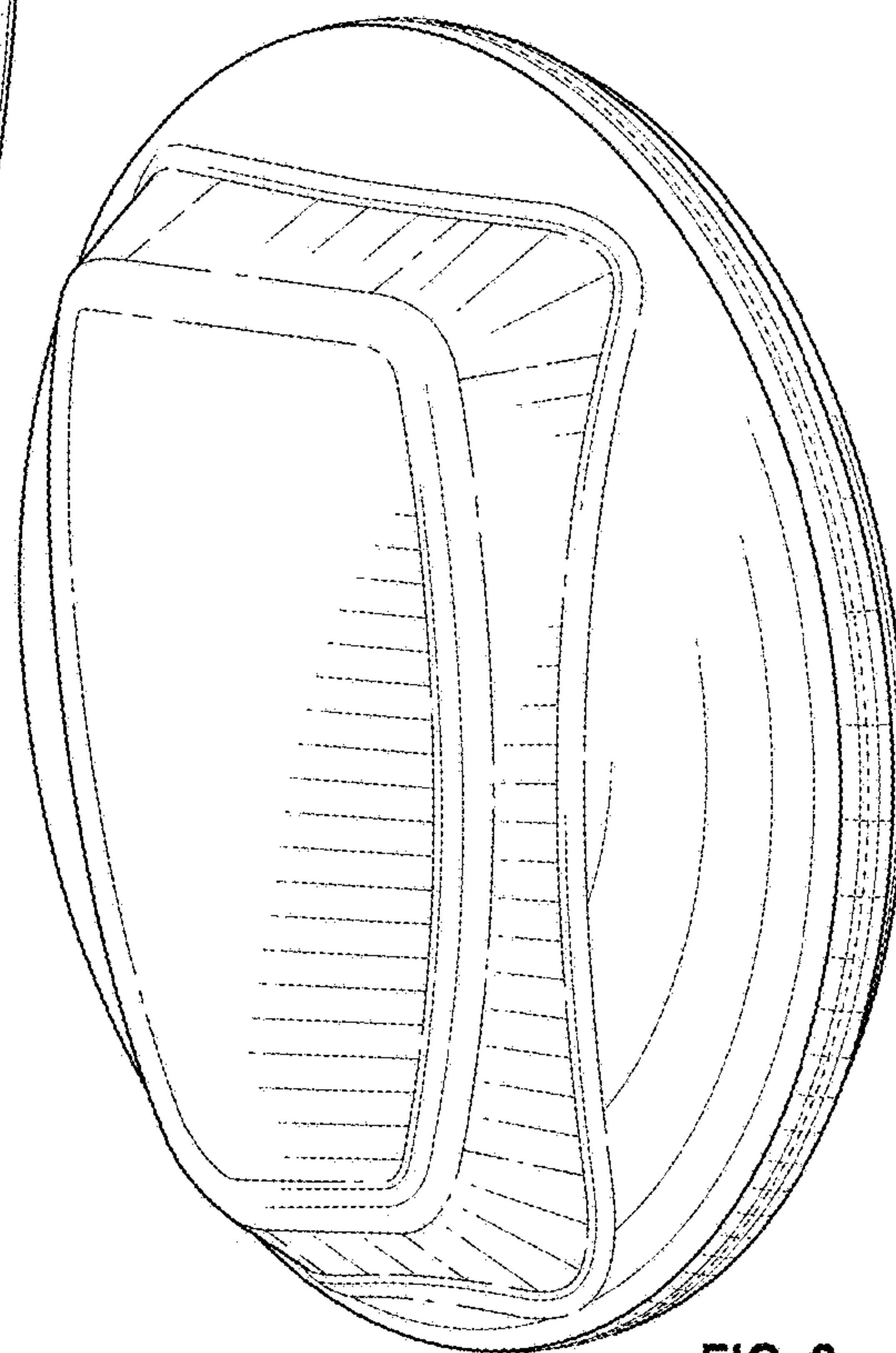


FIG. 2

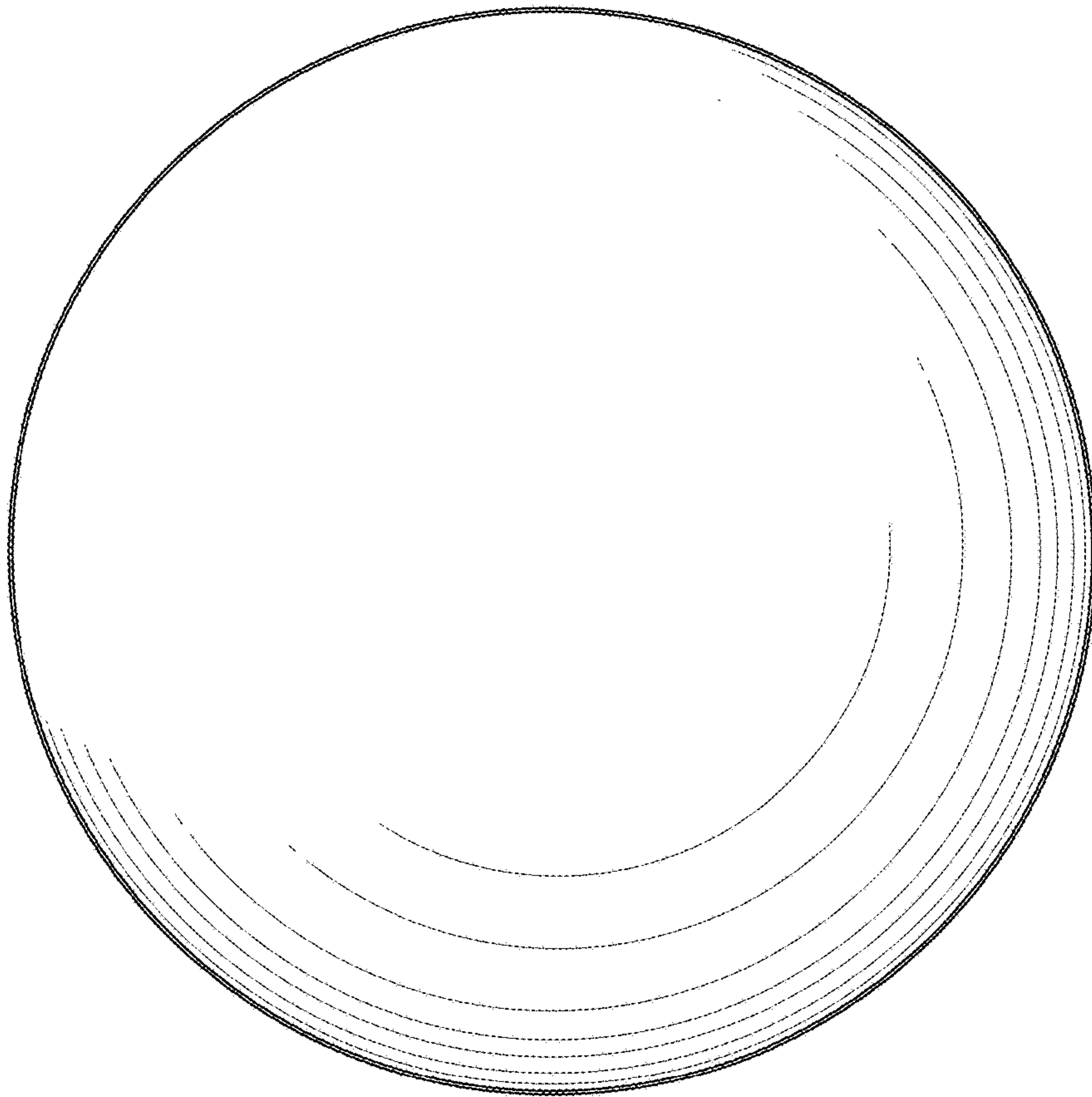


FIG. 3

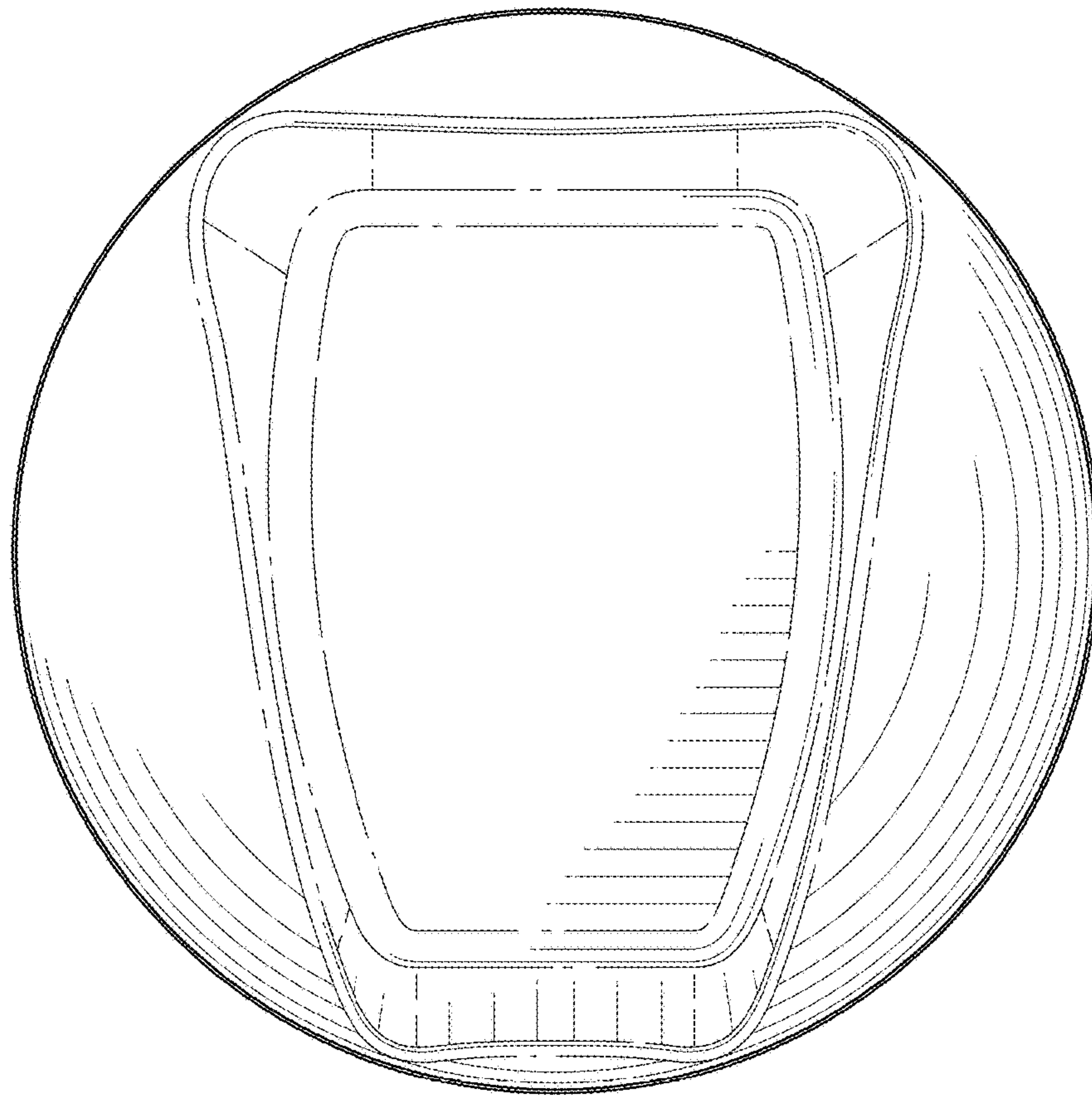


FIG. 4

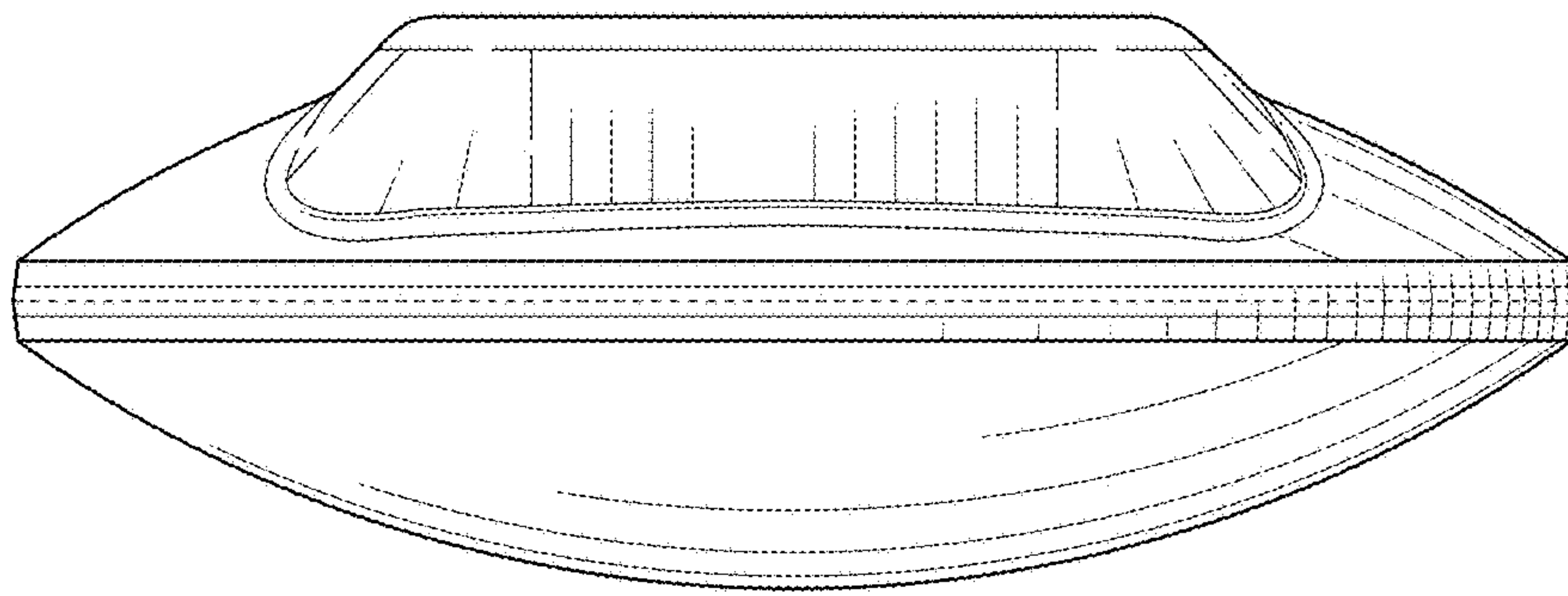


FIG. 5

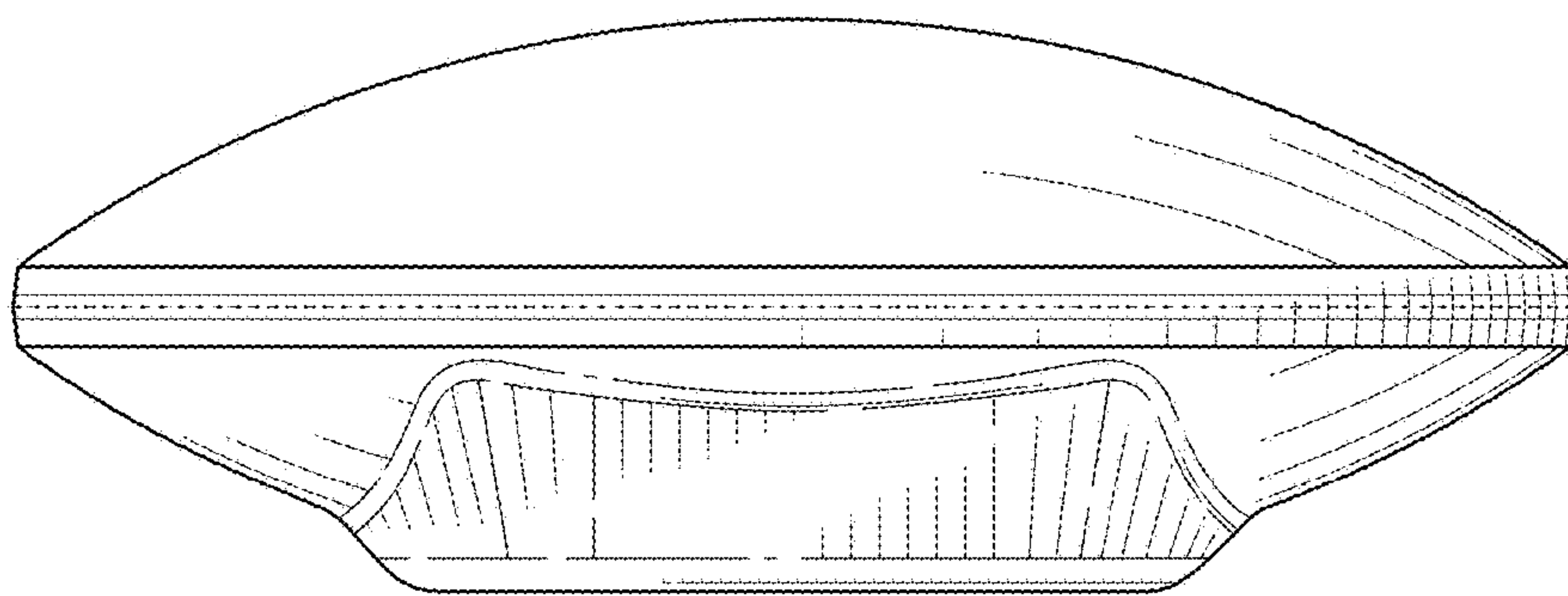


FIG. 6

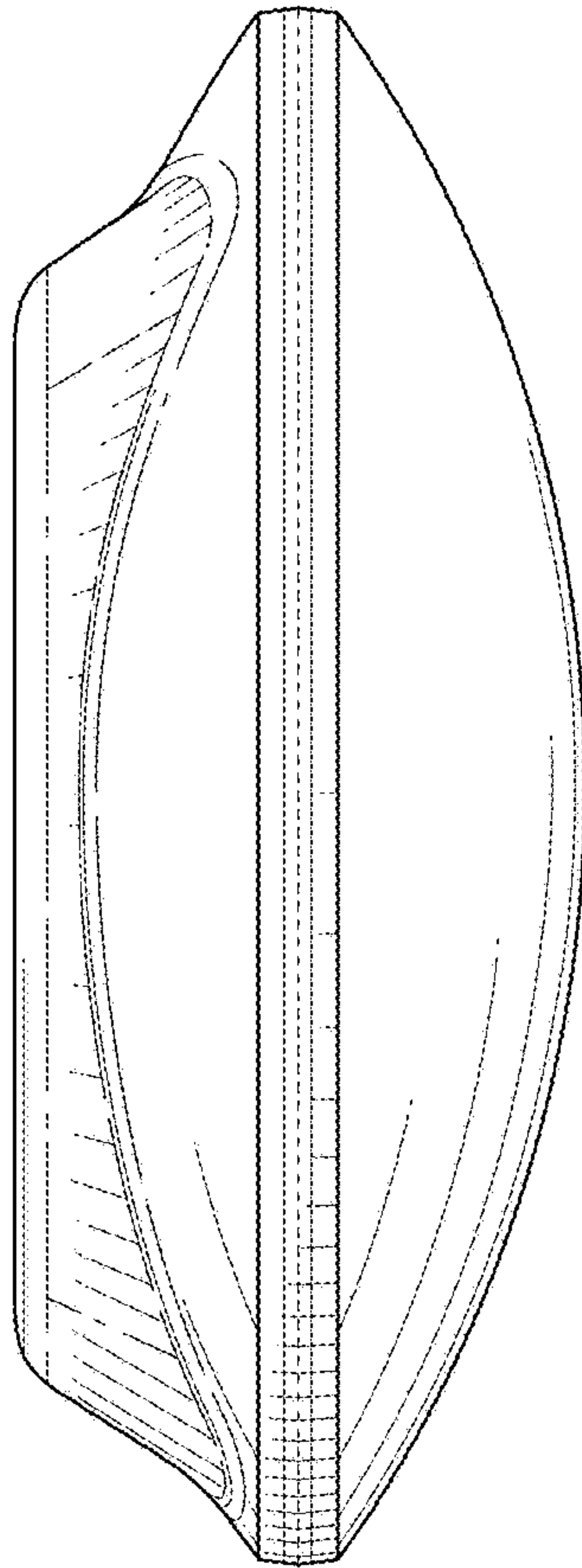


FIG. 7



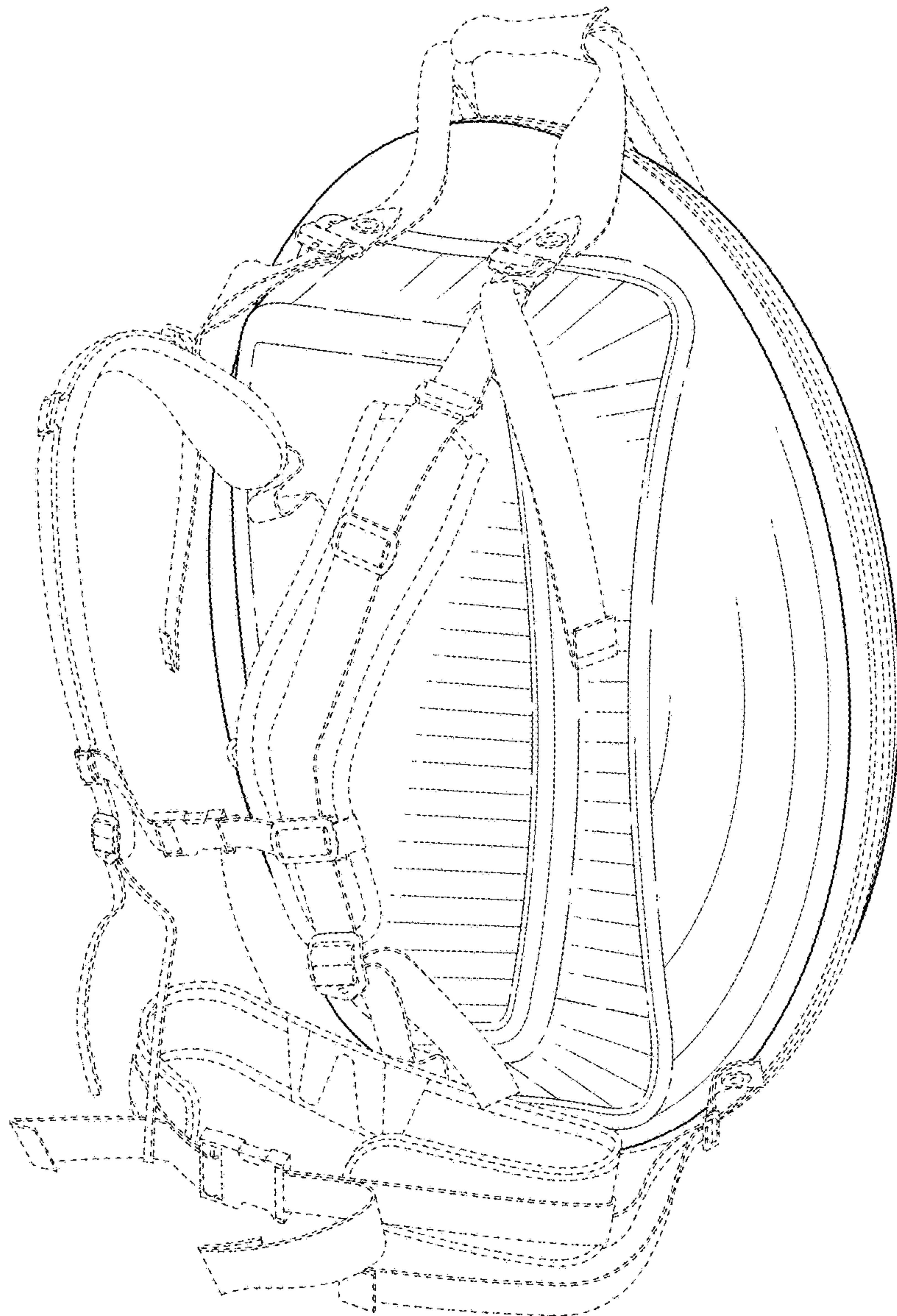


FIG. 8