



US00D847478S

(12) **United States Design Patent** (10) **Patent No.:** **US D847,478 S**
Fracassi (45) **Date of Patent:** **** May 7, 2019**

(54) **FOOTWEAR SOLE**
(71) Applicant: **Wolverine Outdoors, Inc.**, Rockford, MI (US)
(72) Inventor: **Eric P. Fracassi**, Grandville, MI (US)
(73) Assignee: **Wolverine Outdoors, Inc.**, Rockford, MI (US)
(**) Term: **15 Years**
(21) Appl. No.: **29/615,061**
(22) Filed: **Aug. 25, 2017**
(51) **LOC (11) Cl.** **02-04**
(52) **U.S. Cl.**
USPC **D2/957**; D2/947; D2/951; D2/959; D2/960
(58) **Field of Classification Search**
USPC D2/902, 906, 908, 916, 918, 925, D2/946-962, 977; 36/1, 1.5, 3 B, 22 R, 36/24.5, 25 R, 28, 32 R, 34 R, 59 C, 36/67 A, 101-107, 114-116, 117.3, 117.4, 36/124-136; D12/544
CPC A43B 13/00; A43B 13/02; A43B 13/023; A43B 13/026; A43B 13/04; A43B 13/08; A43B 13/10; A43B 13/12; A43B 13/14; A43B 13/141; A43B 13/143; A43B 13/16; A43B 13/18; A43B 13/181; A43B 13/187; A43B 13/189; A43B 13/20; A43B 13/22; A43B 13/223; A43B 13/24; A43B 13/28; A43B 13/30; A43B 13/32; A43B 13/34; A43B 13/36
See application file for complete search history.

D420,497 S 2/2000 Panella
D431,710 S 10/2000 Panella
D433,214 S * 11/2000 McDowell D2/947
D436,432 S 1/2001 Gams
D440,748 S 4/2001 Morgan
D471,347 S 3/2003 Haas et al.
D476,141 S 6/2003 Matis
(Continued)

OTHER PUBLICATIONS

Corcoran Boots: Men's 4330 Vibram Sole Marauder Military Boots, WorkingPerson.com, [online], [site visited Sep. 13, 2018]. <URL: <https://workingperson.com/corcoran-mens-4330-marauder-desert-tan-10-inch-military-boots.html>> (Year: 2018).*

(Continued)

Primary Examiner — T Chase Nelson
Assistant Examiner — Jonathan J. Han
(74) *Attorney, Agent, or Firm* — Warner Norcross + Judd LLP

(57) **CLAIM**

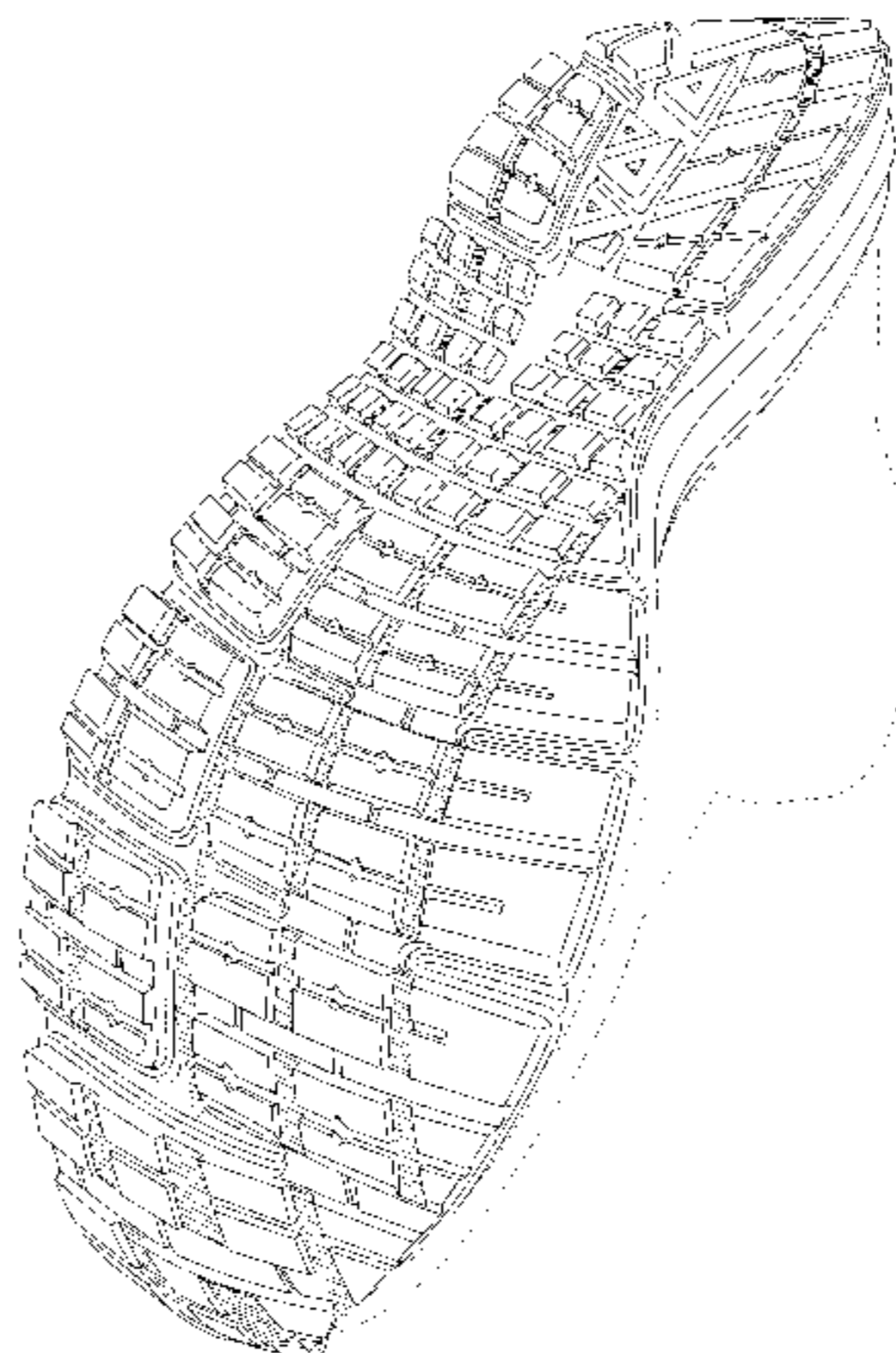
The ornamental design for footwear sole, as shown and described.

DESCRIPTION

FIG. 1 is a perspective view of the footwear sole embodying the new design;
FIG. 2 is a bottom view thereof;
FIG. 3 is a right side view thereof;
FIG. 4 is a left side view thereof;
FIG. 5 is a front view thereof; and,
FIG. 6 is a rear view thereof.
The broken lines shown in FIGS. 1-6 depict unclaimed environmental structure with the exception of the broken lines immediately around the perimeter of the claimed footwear sole depicted in solid lines. These perimeter broken lines depict a boundary that also forms no part of the claimed design.

1 Claim, 5 Drawing Sheets

(56) **References Cited**
U.S. PATENT DOCUMENTS
D301,936 S * 7/1989 Swett D2/956
D372,576 S 8/1996 Mills et al.
D395,740 S * 7/1998 Cass D2/951
D410,138 S * 5/1999 Turner D2/951



(56)

References Cited

U.S. PATENT DOCUMENTS

D476,142 S 6/2003 Matis
 D476,470 S 7/2003 Matis et al.
 D498,042 S * 11/2004 Recchi D2/947
 D505,249 S 5/2005 Urie
 D507,399 S 7/2005 White et al.
 D530,493 S * 10/2006 Holmes D2/957
 D531,789 S * 11/2006 Kohastu D2/959
 D546,534 S 7/2007 Belley et al.
 D547,038 S 7/2007 Nakano
 D549,941 S * 9/2007 Dirsa D2/953
 D550,437 S 9/2007 Belley et al.
 D551,434 S 9/2007 Nakano
 7,313,875 B2 * 1/2008 Morgan A43B 13/145
 36/25 R
 D563,637 S 3/2008 Nakano
 D567,492 S 4/2008 Belley et al.
 D570,582 S 6/2008 Roy et al.
 D574,583 S 8/2008 St-Louis et al.
 D586,994 S * 2/2009 Chang D2/951
 D594,195 S 6/2009 Nakano
 D613,489 S * 4/2010 Horton D2/951
 D656,304 S * 3/2012 Debiase D2/951
 D675,002 S * 1/2013 Marvin D2/951
 D702,031 S 4/2014 Nakano
 D702,032 S 4/2014 Nakano
 D713,135 S * 9/2014 Tucker D2/951
 D735,454 S * 8/2015 Yun D2/951
 D738,079 S * 9/2015 Bates D2/951

D748,385 S * 2/2016 Birkinhead D2/951
 D749,310 S * 2/2016 Greenhalgh D2/951
 D755,491 S 5/2016 Nakano
 D756,095 S 5/2016 Nakano
 D768,368 S * 10/2016 Birkinhead D2/953
 D770,741 S * 11/2016 Teteriatnikov D2/951
 D770,742 S * 11/2016 Reiser D2/947
 D777,411 S * 1/2017 Howe D2/951
 9,615,625 B1 * 4/2017 Huard A43B 13/026
 D797,423 S * 9/2017 Bischoff D2/951
 D801,658 S * 11/2017 Huard D2/960
 D802,897 S * 11/2017 Howe D2/953
 D802,899 S * 11/2017 Bischoff D2/957
 D805,273 S * 12/2017 Birkinhead D2/908
 D822,957 S * 7/2018 Brunner D2/908
 D825,163 S * 8/2018 Montross D2/957
 2006/0130368 A1 * 6/2006 Morgan A43B 13/145
 36/59 R

OTHER PUBLICATIONS

Keen Women's Elsa Waterproof Insulated Boot, JaxMercantile.com, [online], [site visited Sep. 13, 2018]. <URL: <https://www.jaxnmercantile.com/products/keen-womens-elsa-waterproof-insulated-boot.html>> (Year: 2018).
 Wolverine Legend DuraShocks CarbonMax Boot, ProToolReviews.com, Aug. 11, 2016, Jessie Omelas, [online], [site visited Sep. 13, 2018]. <URL: <https://www.protoolreviews.com/tools/safety-workwear/wolverine-legend-durashocks-carbonmax-boot/24917/>> (Year: 2016).*

* cited by examiner

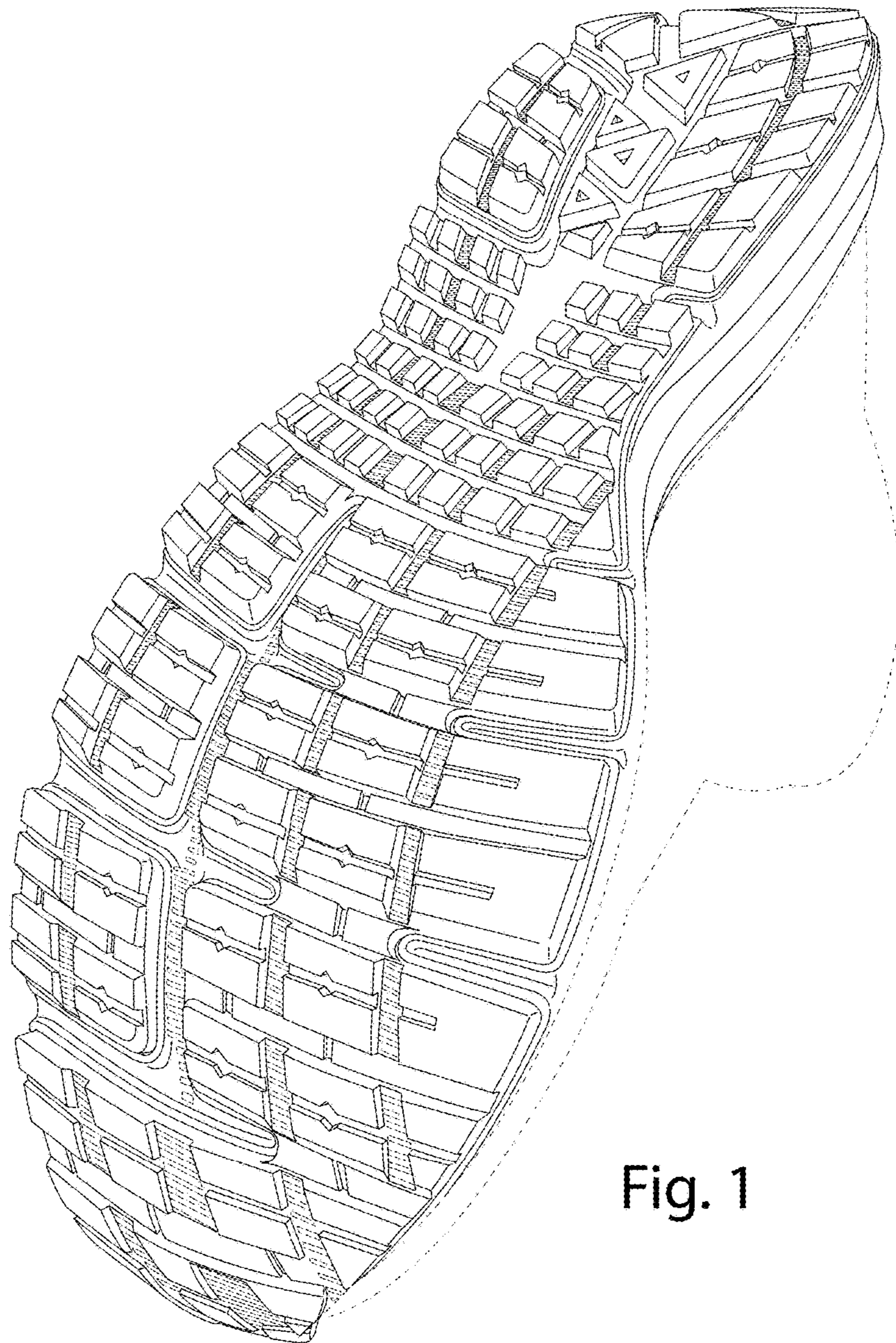


Fig. 1

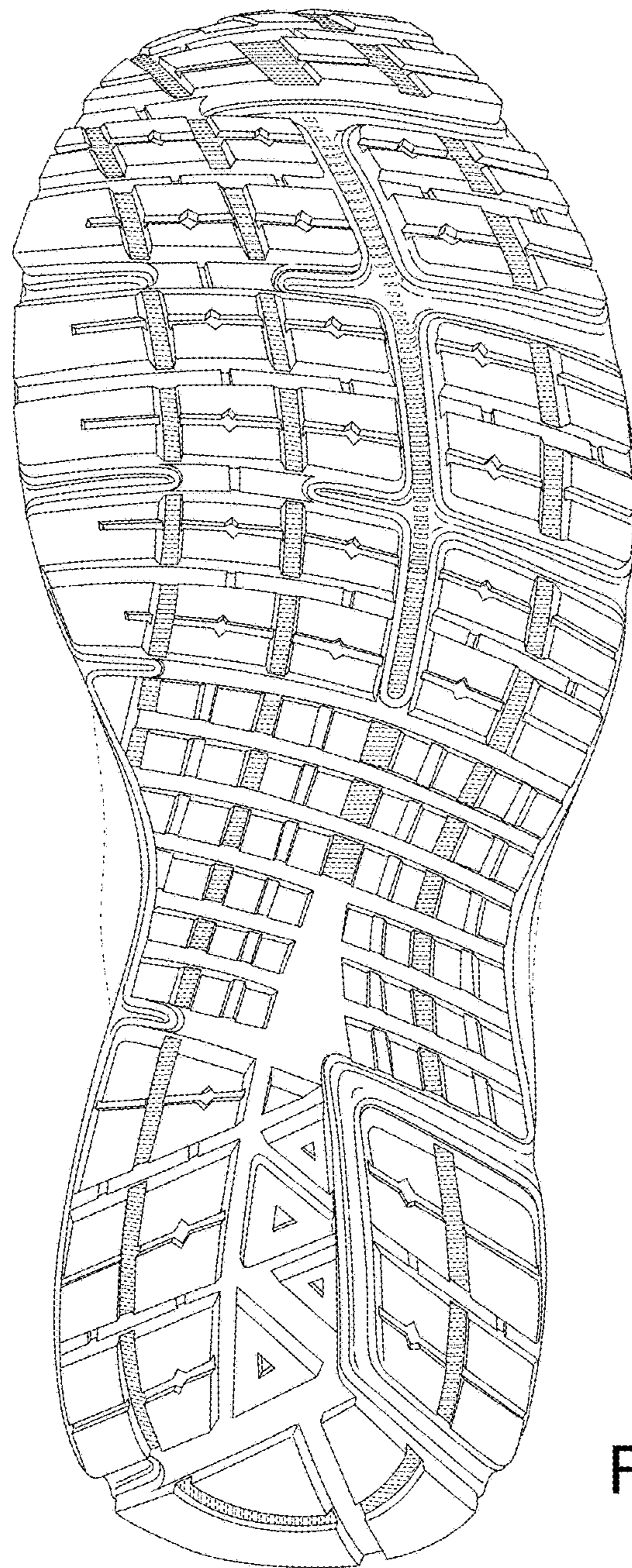


Fig. 2

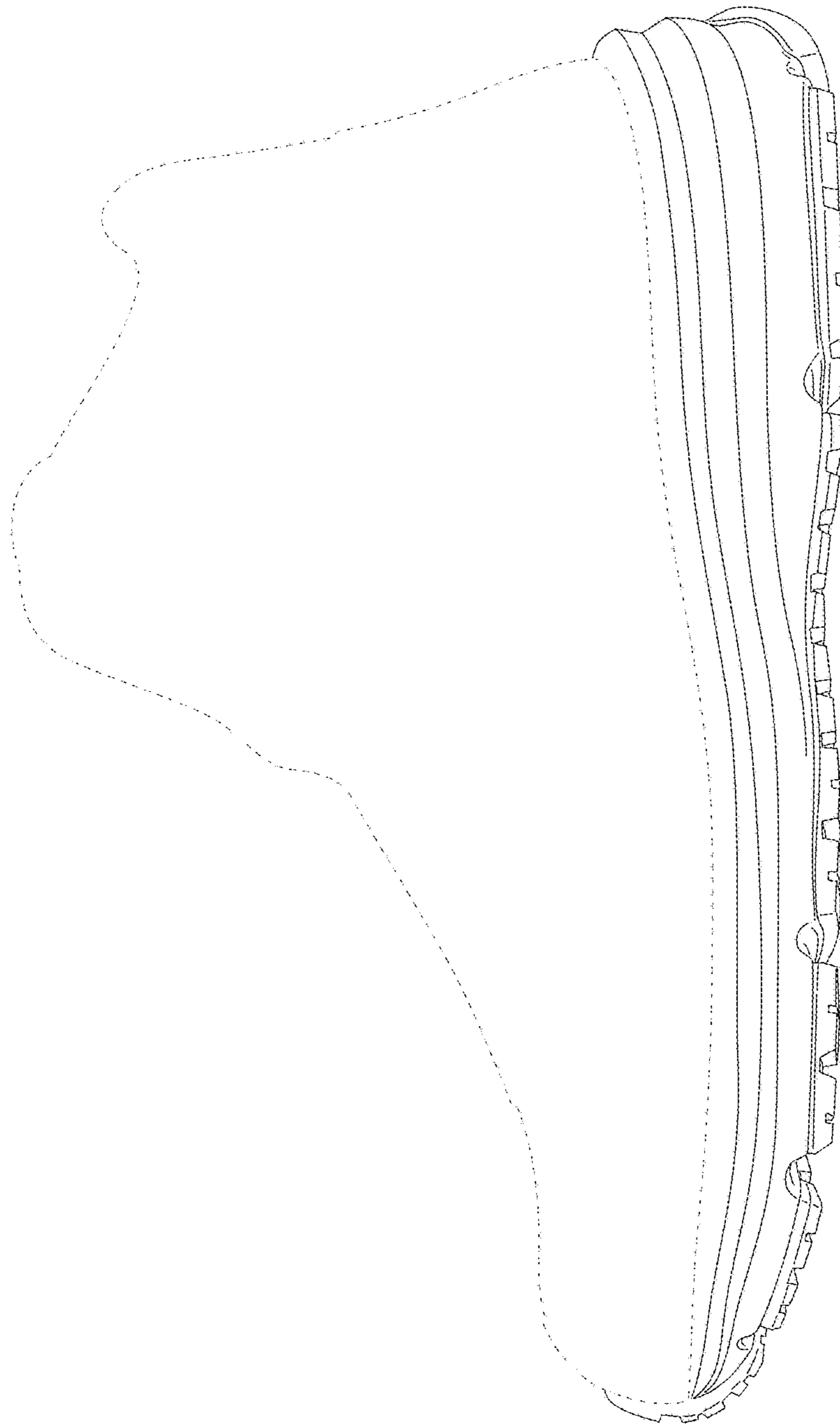


Fig. 3

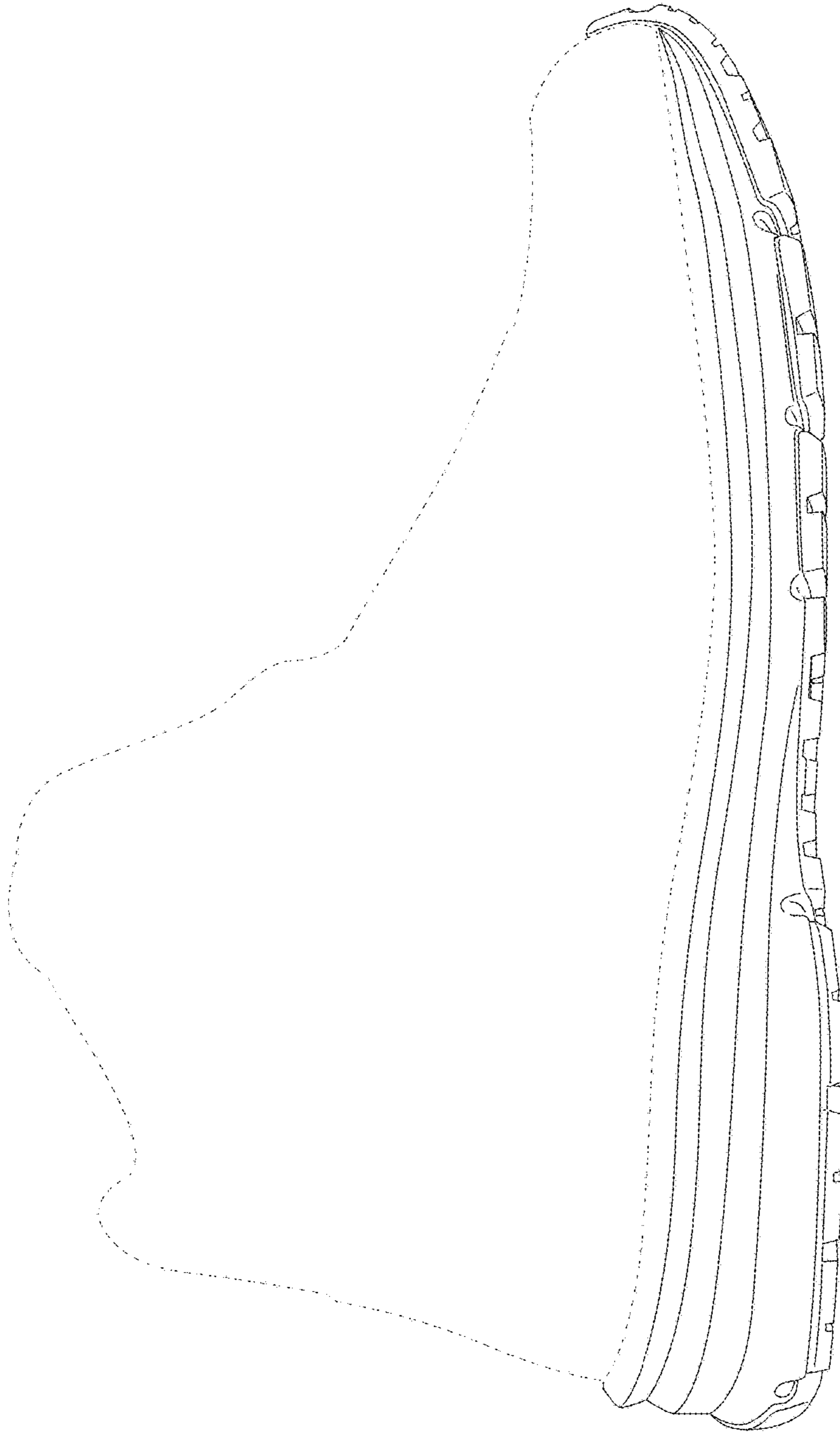


Fig. 4

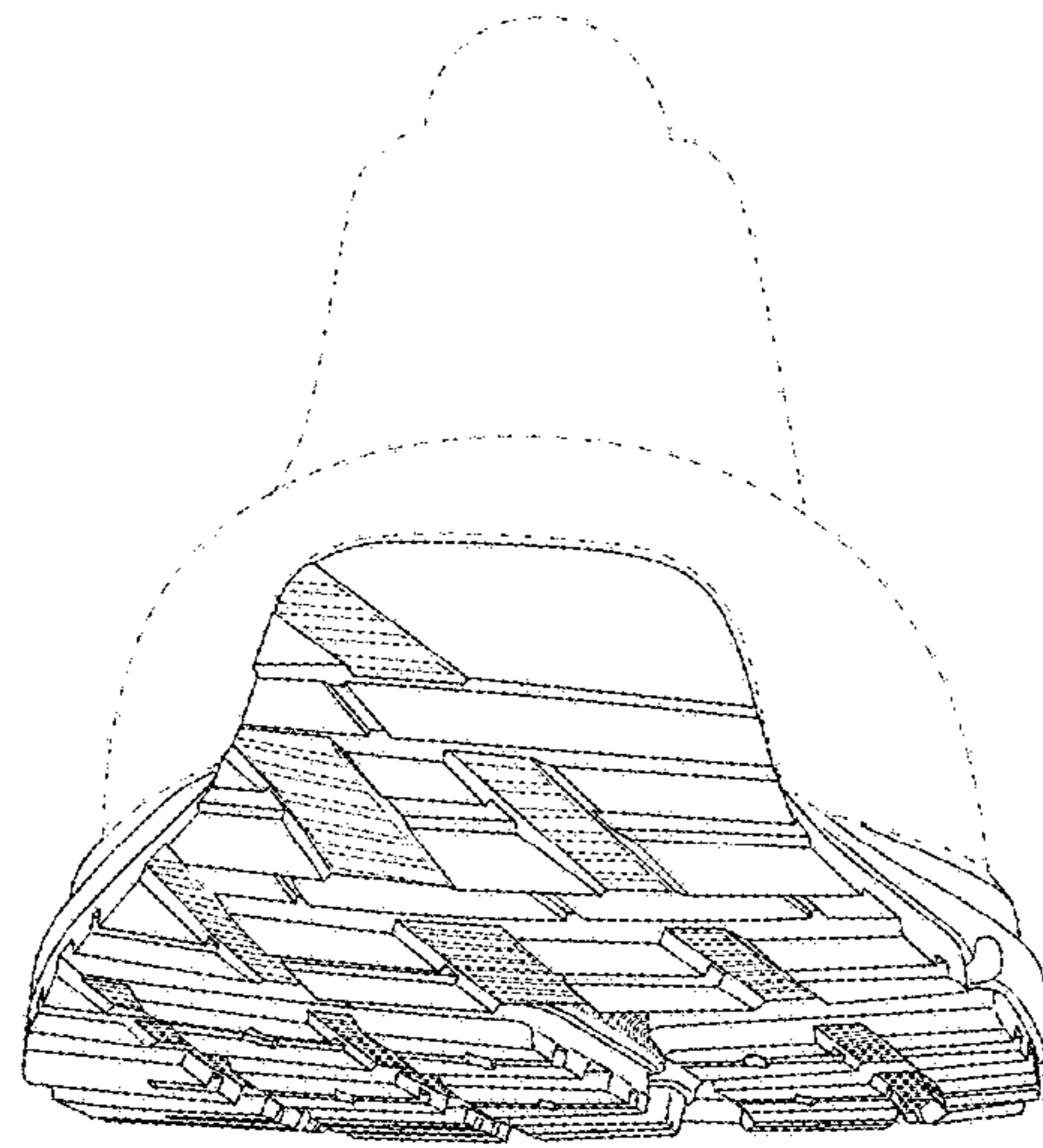


Fig. 5

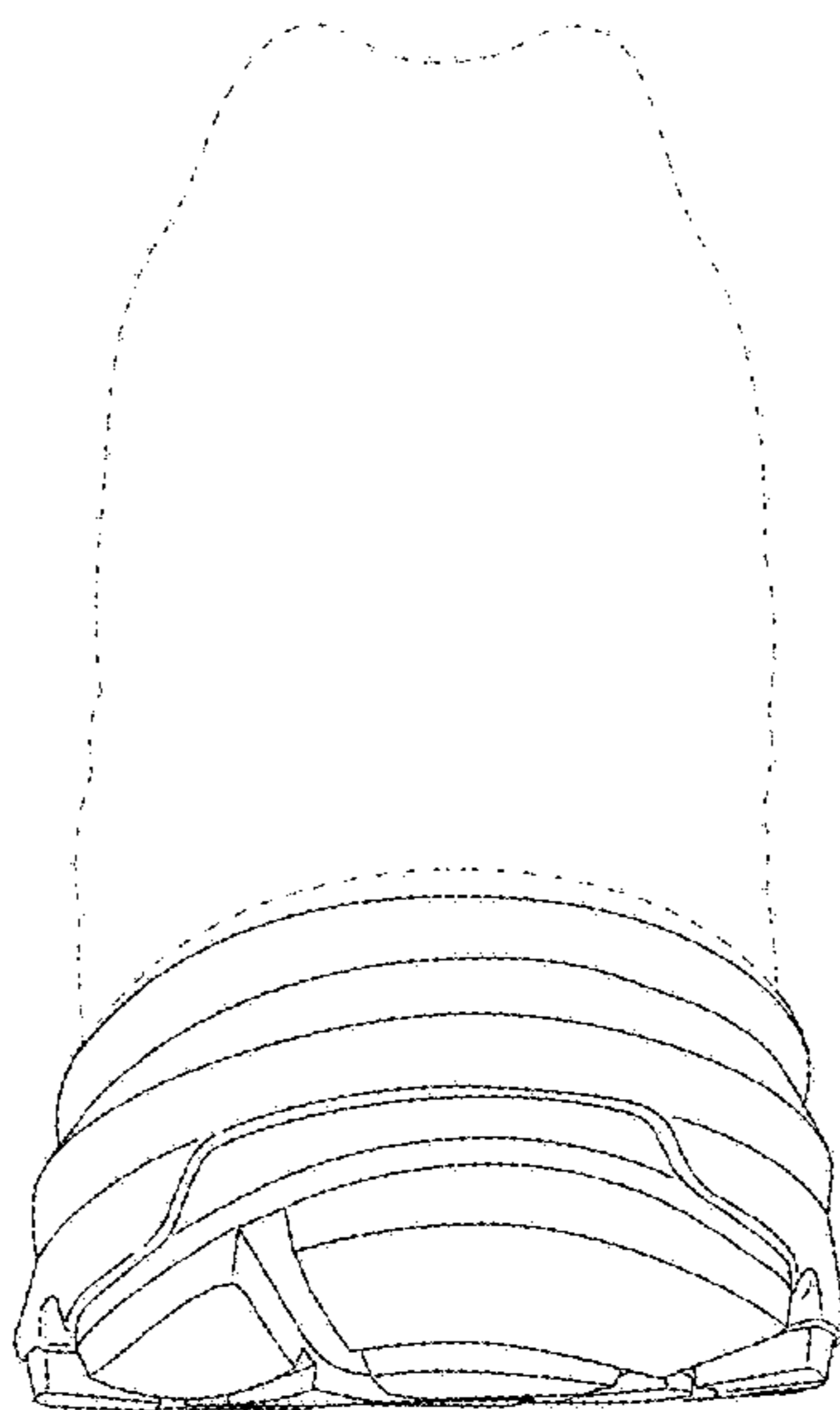


Fig. 6