



US00D847473S

(12) **United States Design Patent**
Negri et al.

(10) **Patent No.:** **US D847,473 S**

(45) **Date of Patent:** **** May 7, 2019**

(54) **FOOTWEAR**

(71) Applicant: **J. Choo Limited**, London (GB)

(72) Inventors: **Francesca Negri**, London (GB);
Sandra Choi, London (GB)

(73) Assignee: **J. Choo Limited**, London (GB)

(**) Term: **15 Years**

(21) Appl. No.: **29/603,871**

(22) Filed: **May 12, 2017**

(30) **Foreign Application Priority Data**

Nov. 23, 2016 (EM) 003479187-0001

(51) **LOC (11) Cl.** **02-04**

(52) **U.S. Cl.**
USPC **D2/907**; D2/943

(58) **Field of Classification Search**
USPC D2/902-922, 923-943, 944-964
CPC A43B 1/0036; A43B 21/00; A43B 21/02;
A43B 21/06; A43B 9/14; A43B 1/0045;
A43B 13/10; A43B 23/06; A43B 23/07;
A43B 5/12

See application file for complete search history.

(56) **References Cited**

U.S. PATENT DOCUMENTS

D95,204 S	4/1935	Hafin	
D149,683 S *	5/1948	Sandler	D2/930
D269,137 S *	5/1983	Balbinot	D2/911
D375,193 S *	11/1996	Kallen	D2/912
D481,863 S *	11/2003	Belley	D2/970
D544,191 S	6/2007	Choi	
D564,203 S *	3/2008	Choi	D2/971
D628,784 S *	12/2010	Joseph	D2/916
D696,844 S *	1/2014	Curtis	B65D 85/187
			D2/944
D747,859 S *	1/2016	Henderson	D2/947
D791,459 S *	7/2017	Casadei	D2/971

(Continued)

OTHER PUBLICATIONS

Baskets Andrea posted by Jimmy Choo posted date unknown, © 24Sevres, [online], [site visited Aug. 30, 2018]. Available from Internet, https://www.24sevres.com/fr-be/baskets-andrea-jimmy-choo_Q75Y4 (Year: 2018).*

(Continued)

Primary Examiner — Cynthia Ramirez

Assistant Examiner — Laura H Yu

(74) *Attorney, Agent, or Firm* — Fross Zelnick Lehrman & Zissu, P.C.; Lawrence E. Apolzon, Esq.

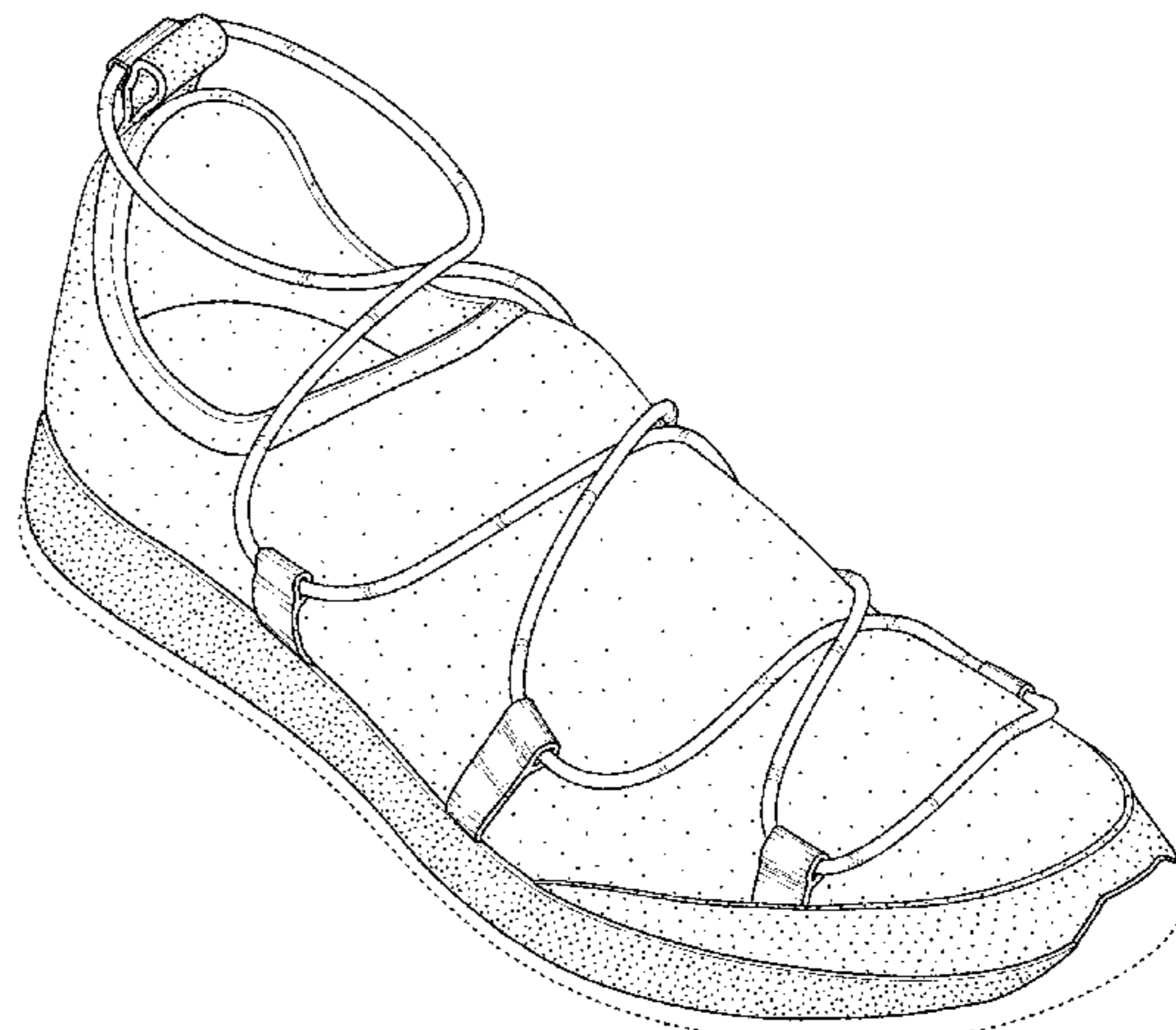
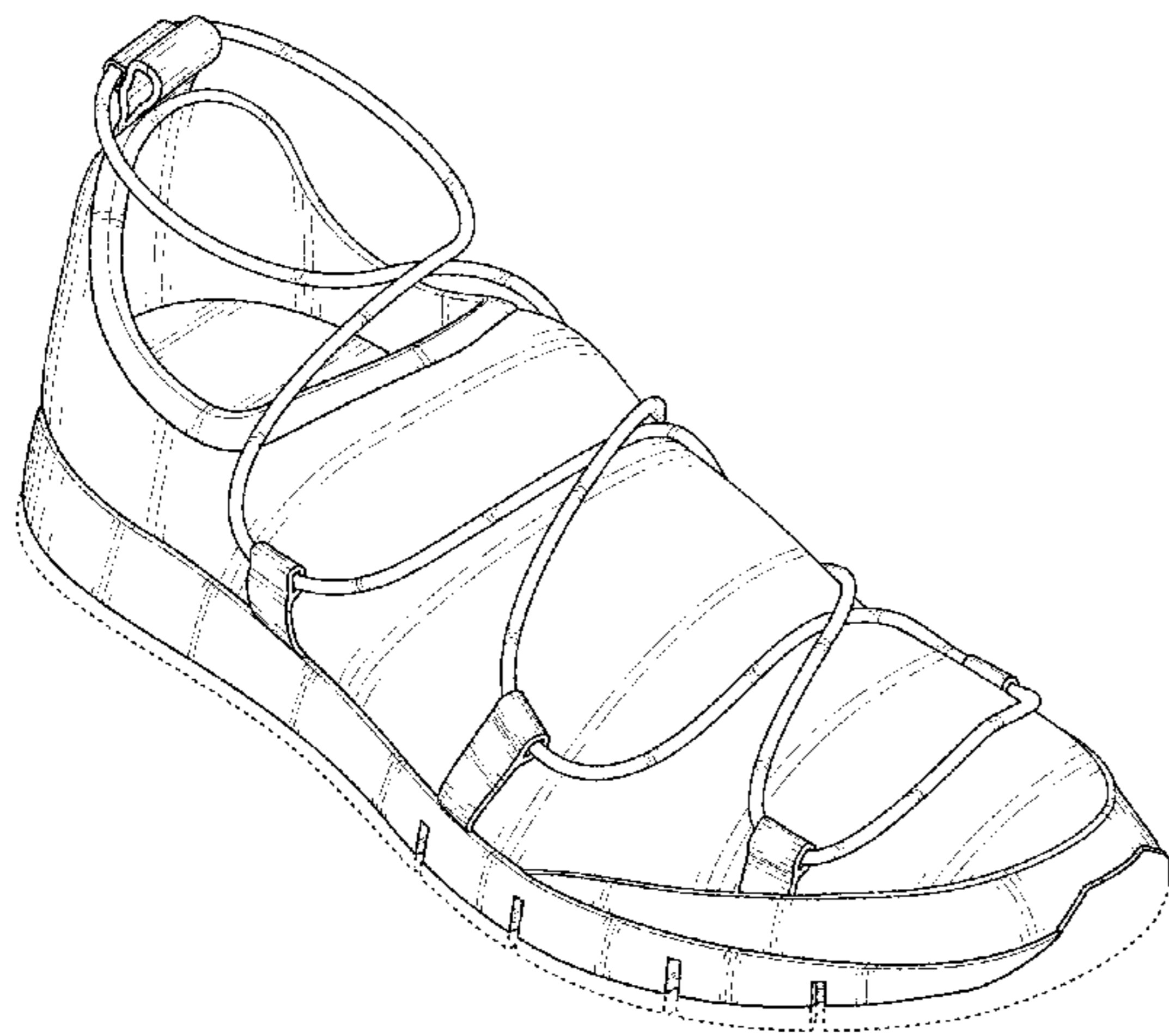
(57) **CLAIM**

The ornamental design for footwear, as shown and described.

DESCRIPTION

FIG. 1 is a front perspective view of footwear showing our new design;
FIG. 2 is a right side view thereof;
FIG. 3 is a left side view thereof;
FIG. 4 is a front view thereof;
FIG. 5 is a rear view thereof;
FIG. 6 is a top view thereof;
FIG. 7 is a front perspective view of an alternative embodiment of the footwear shown in FIG. 1;
FIG. 8 is a right side view thereof;
FIG. 9 is a left side view thereof;
FIG. 10 is a front view thereof;
FIG. 11 is a rear view thereof; and,
FIG. 12 is a top view thereof.
The stipple shading shown in FIGS. 7-12 represents surface contrast.
The broken lines showing the sole illustrate portions of the footwear that form no part of the claimed design.

1 Claim, 10 Drawing Sheets



(56)

References Cited

U.S. PATENT DOCUMENTS

D797,415 S * 9/2017 Slimane D2/936
D798,033 S * 9/2017 Osorio D2/929
D812,363 S * 3/2018 Behr D2/973
D817,627 S * 5/2018 Chang D2/973

OTHER PUBLICATIONS

Water Shoes posted by Odema posted date Jun. 17, 2016, © Amazon, [online], [site visited Aug. 30, 2018]. Available from Internet, <https://www.amazon.com/Odema-Ultrathin2-0-Outdoor-Sneakers-Hiking> (Year: 2016).*

* cited by examiner

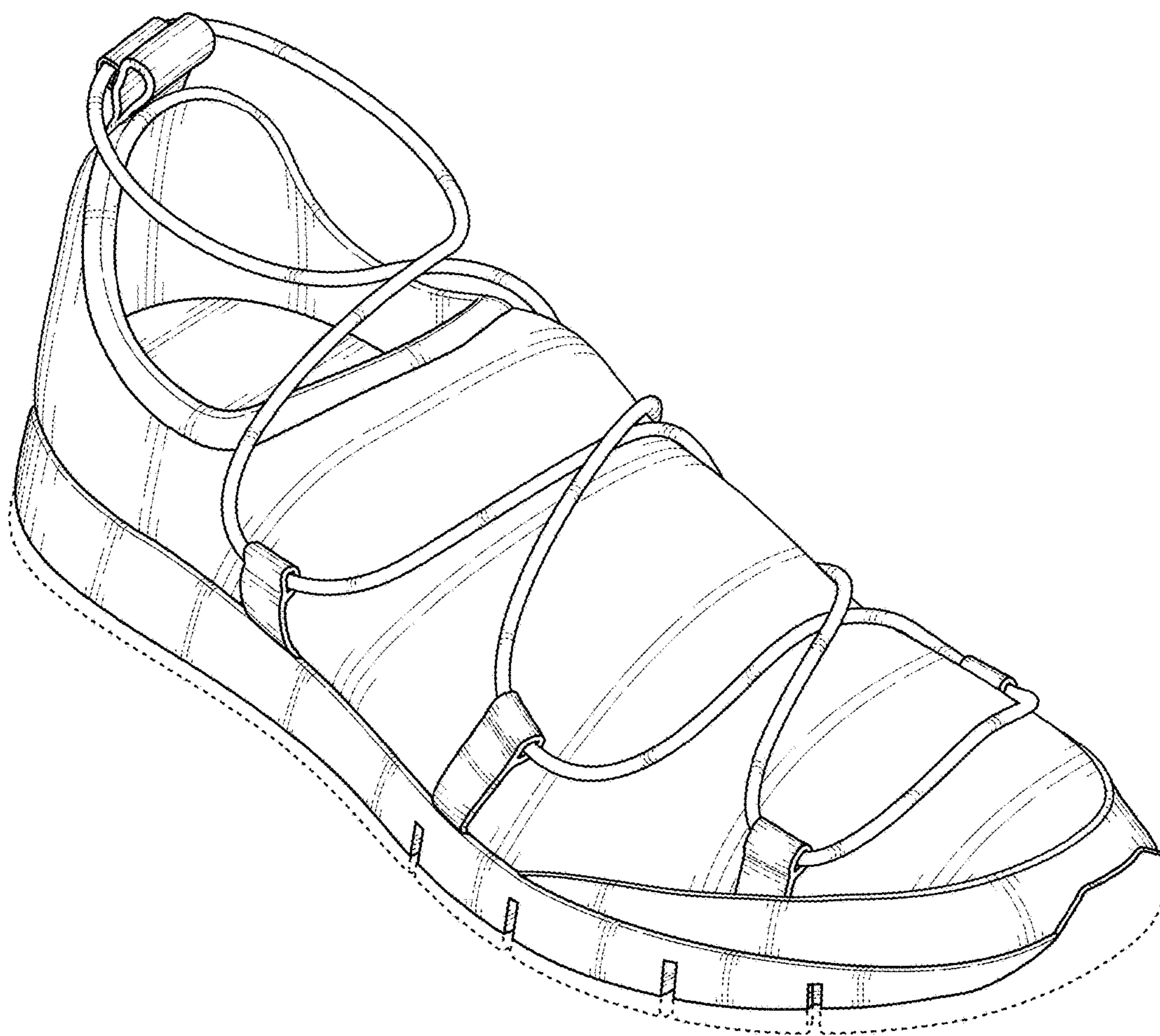


FIG. 1

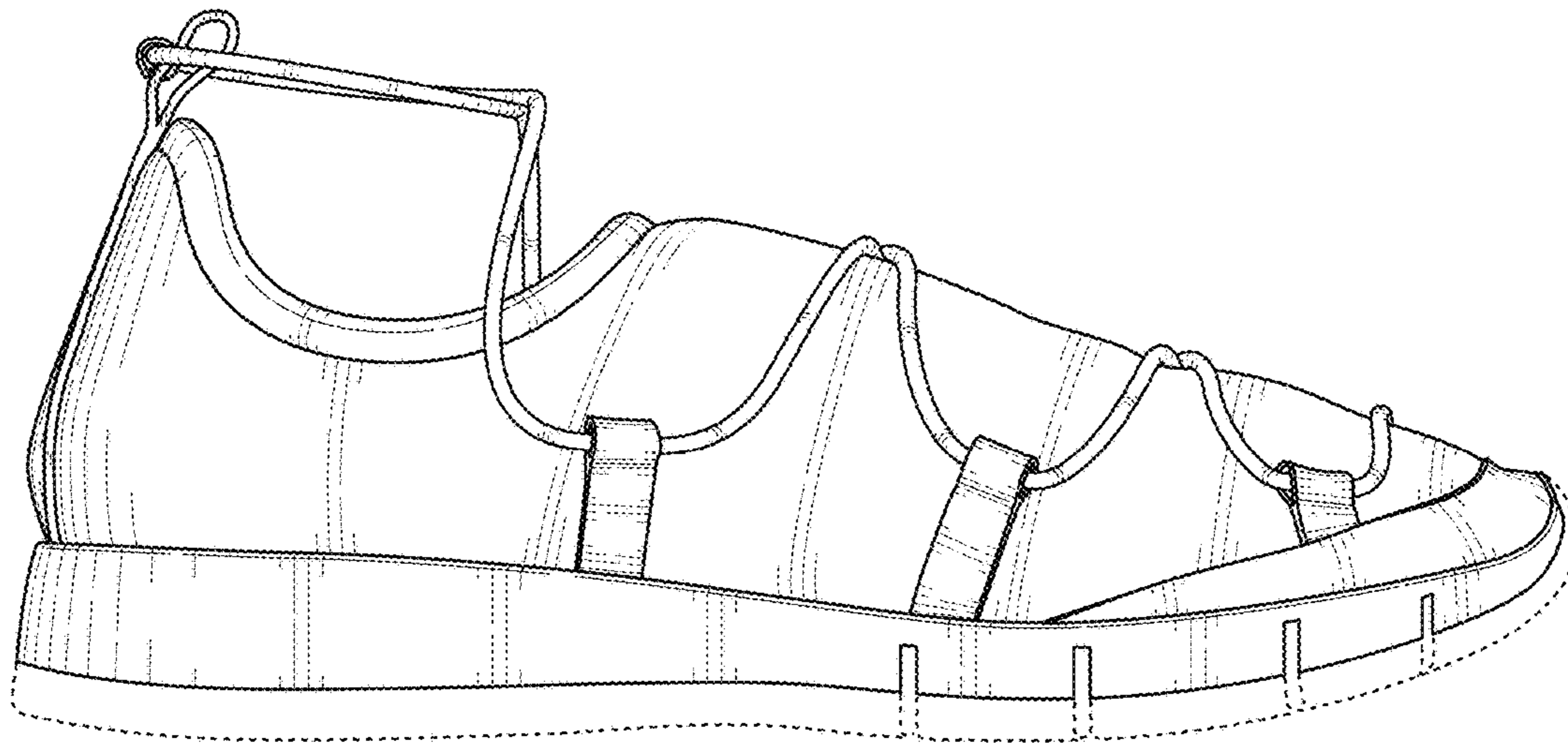


FIG. 2

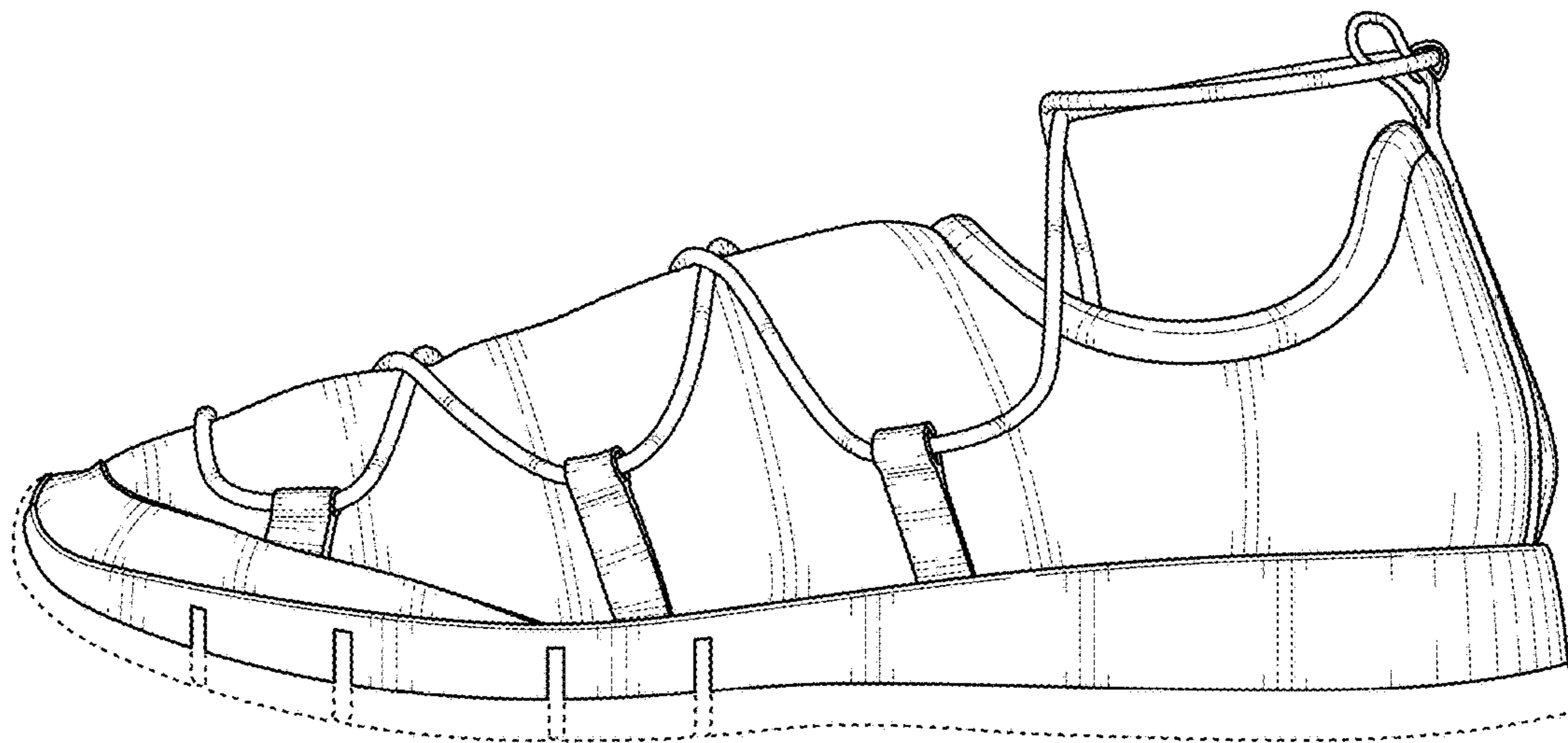


FIG. 3

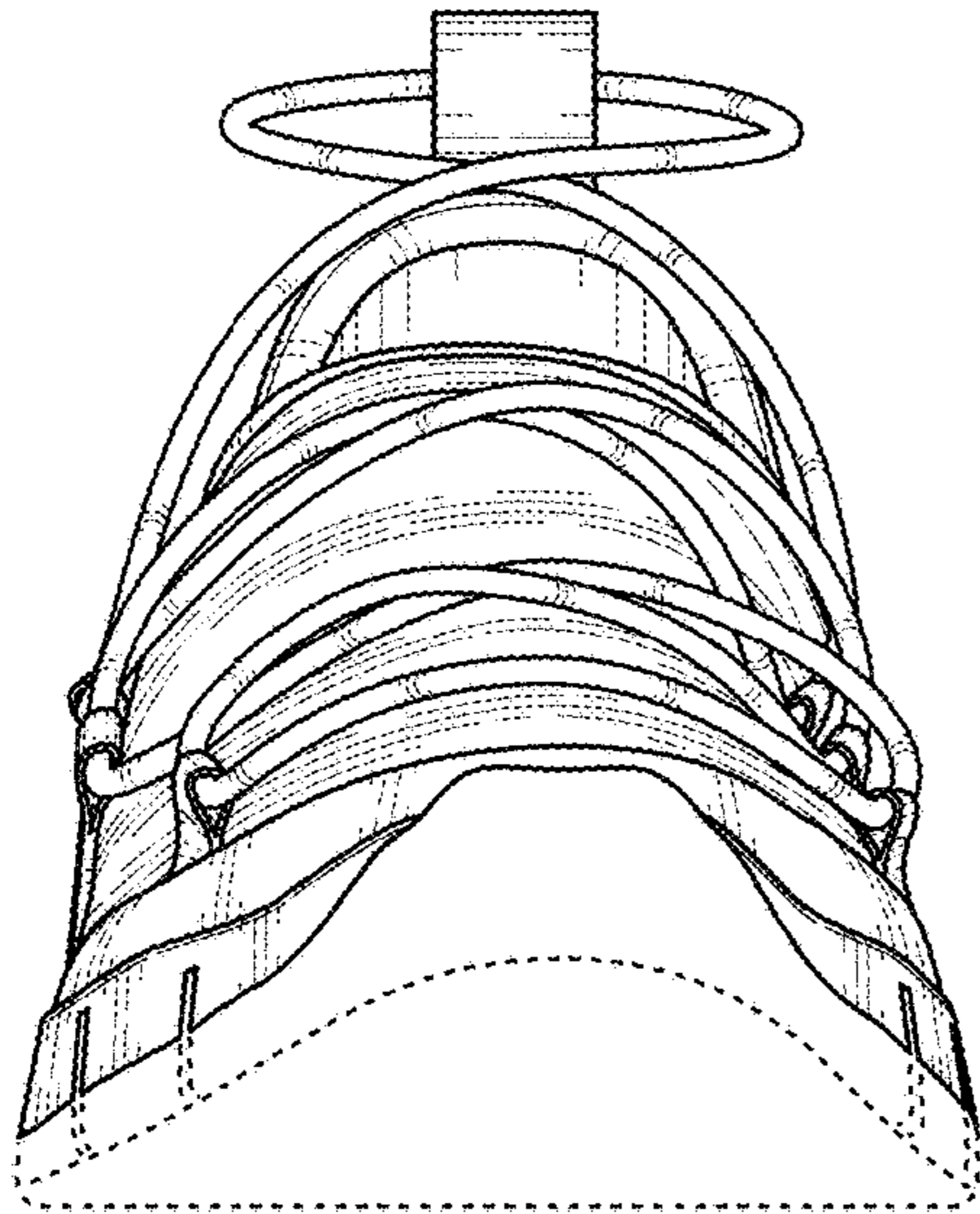


FIG. 4

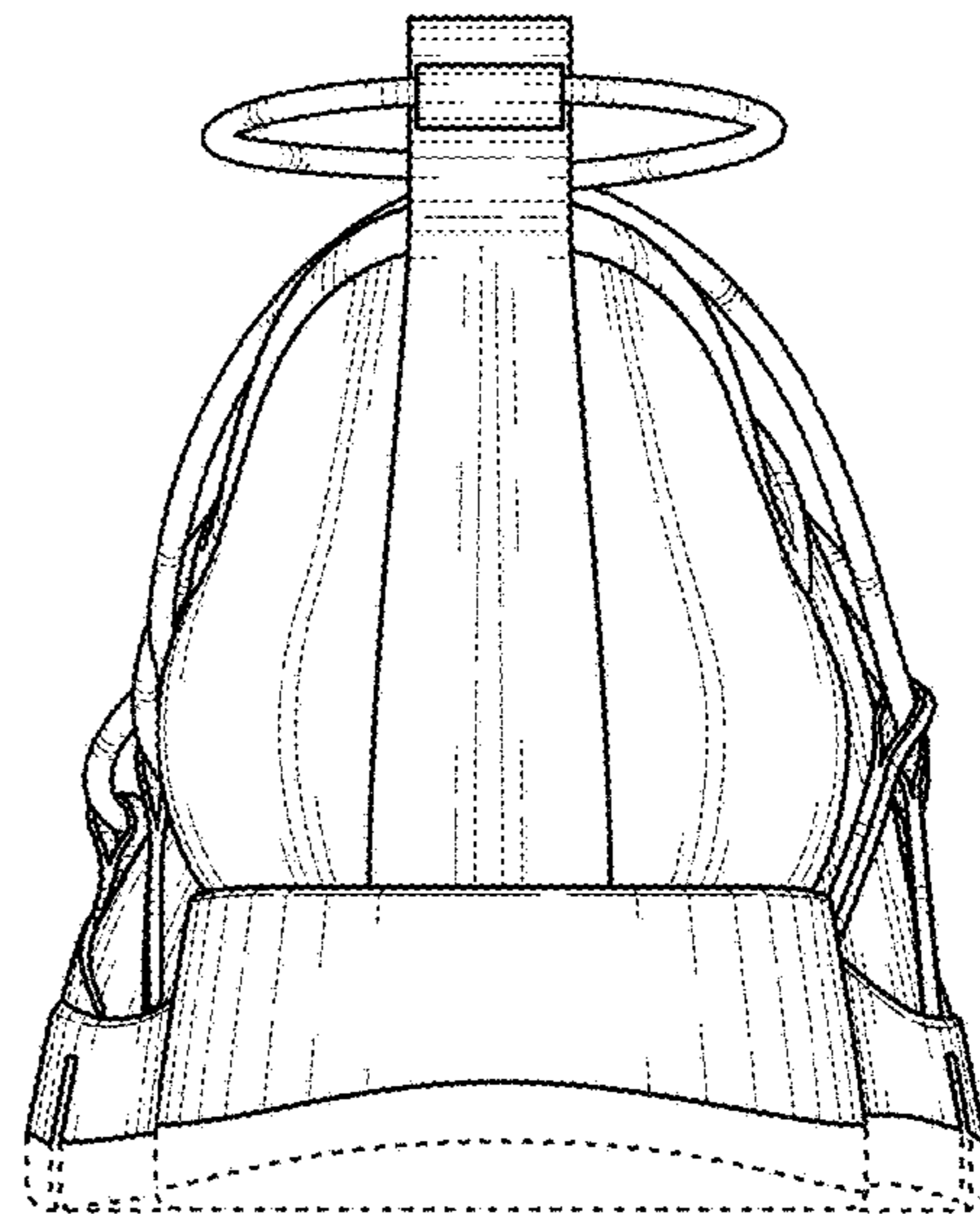


FIG. 5

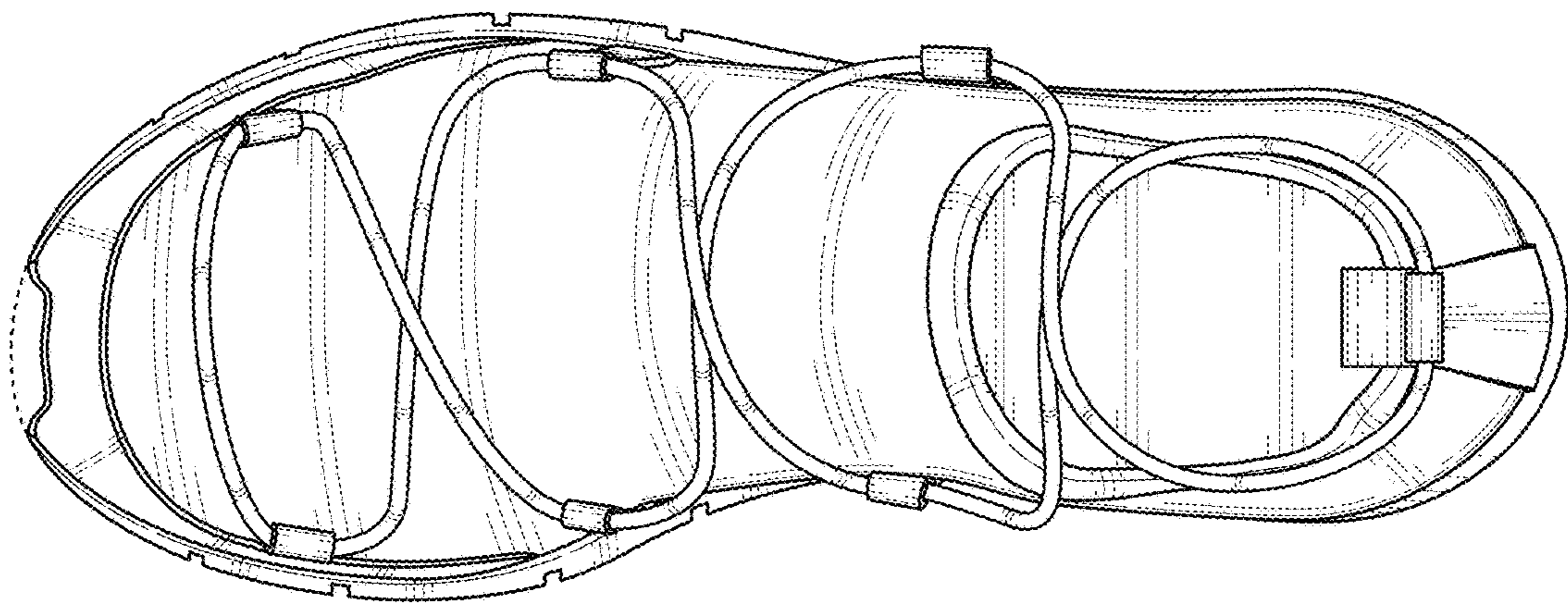


FIG. 6



FIG. 7

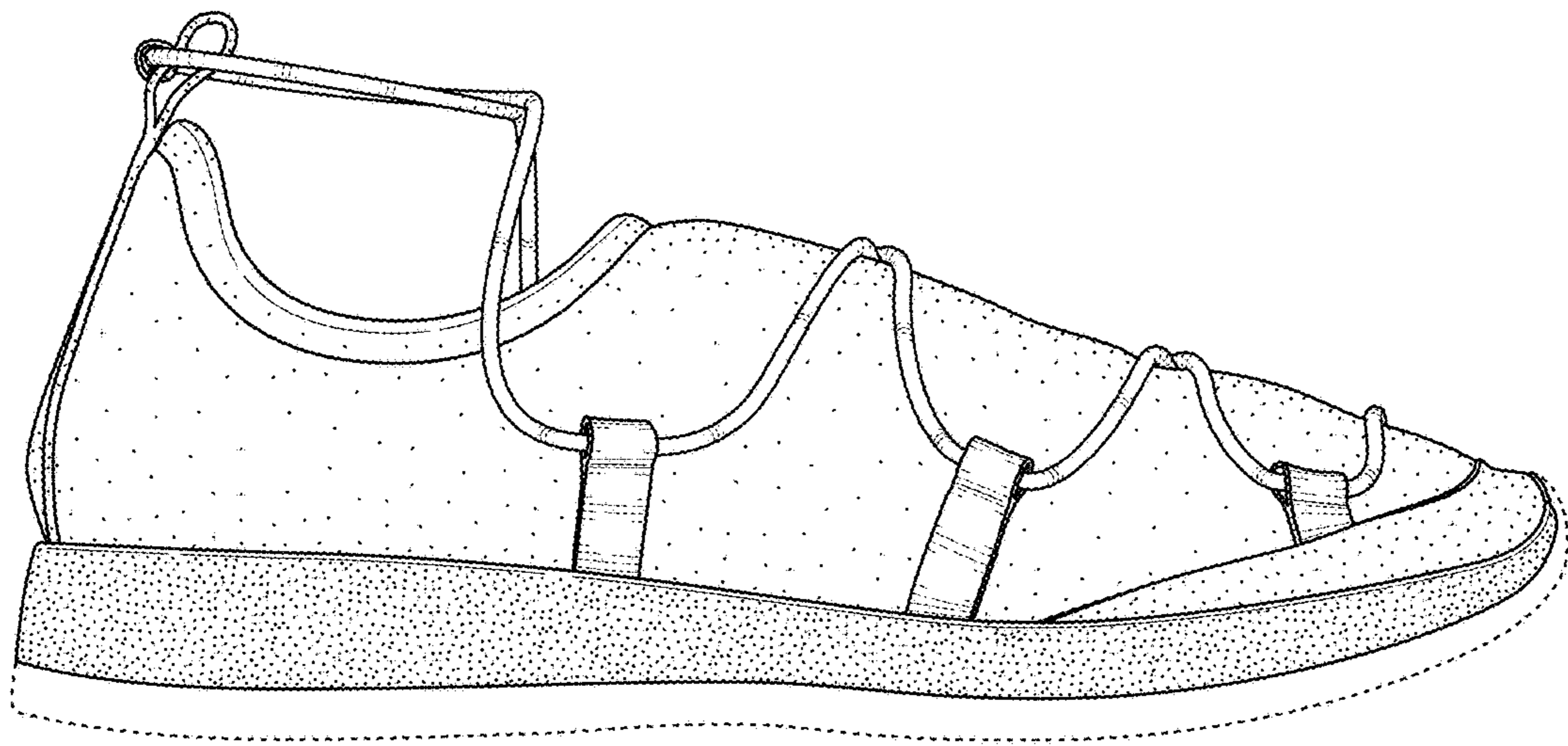


FIG. 8

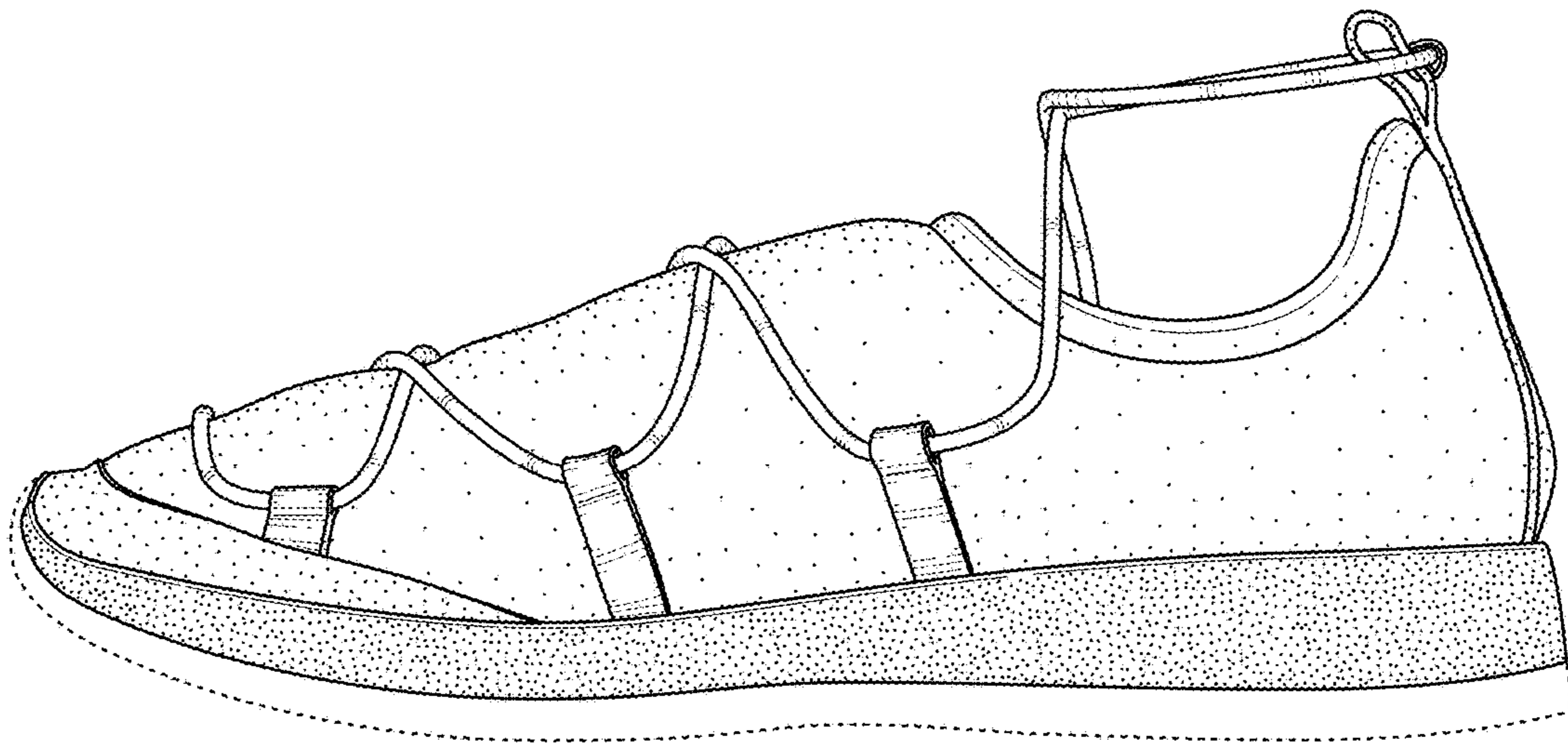


FIG. 9

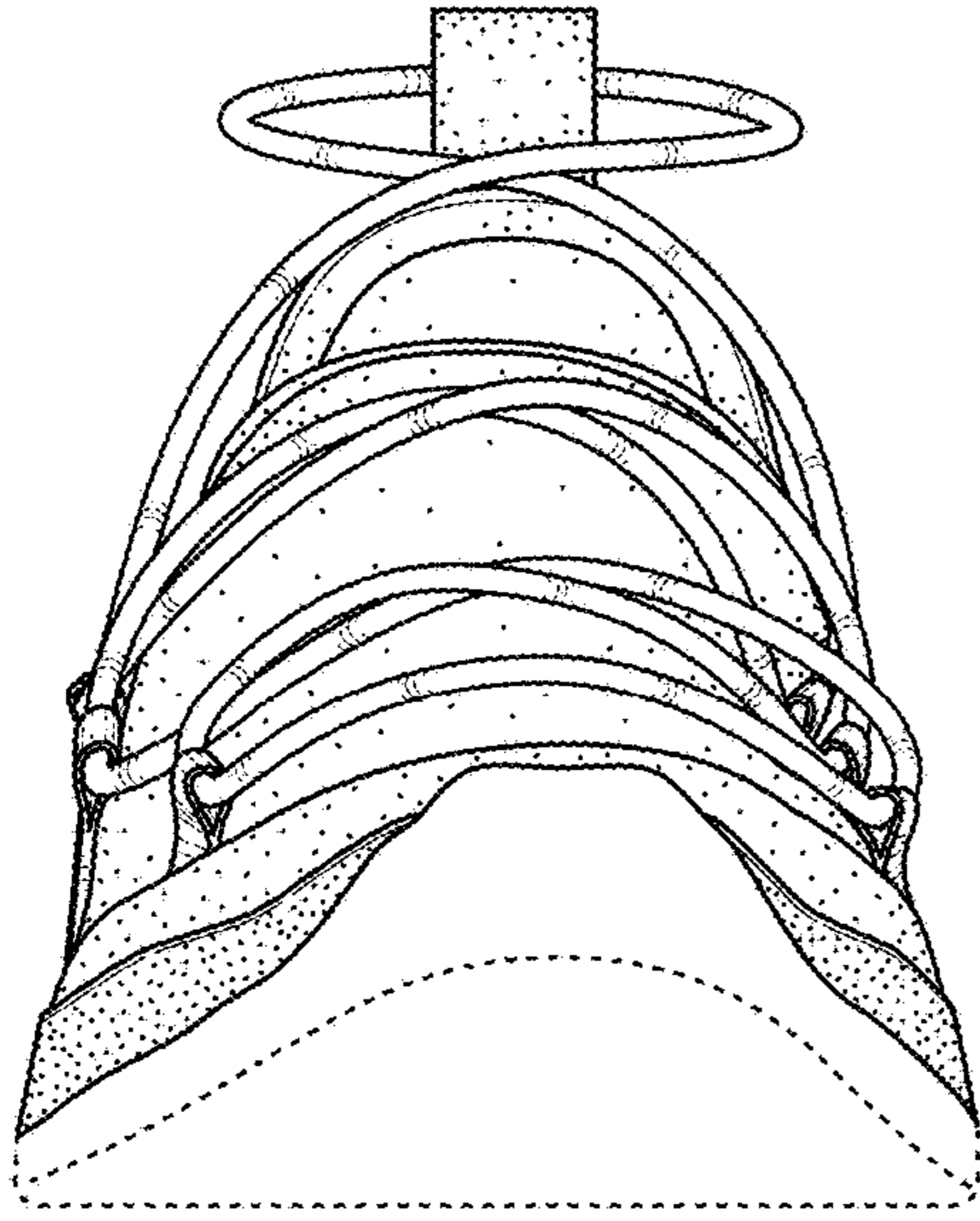


FIG. 10

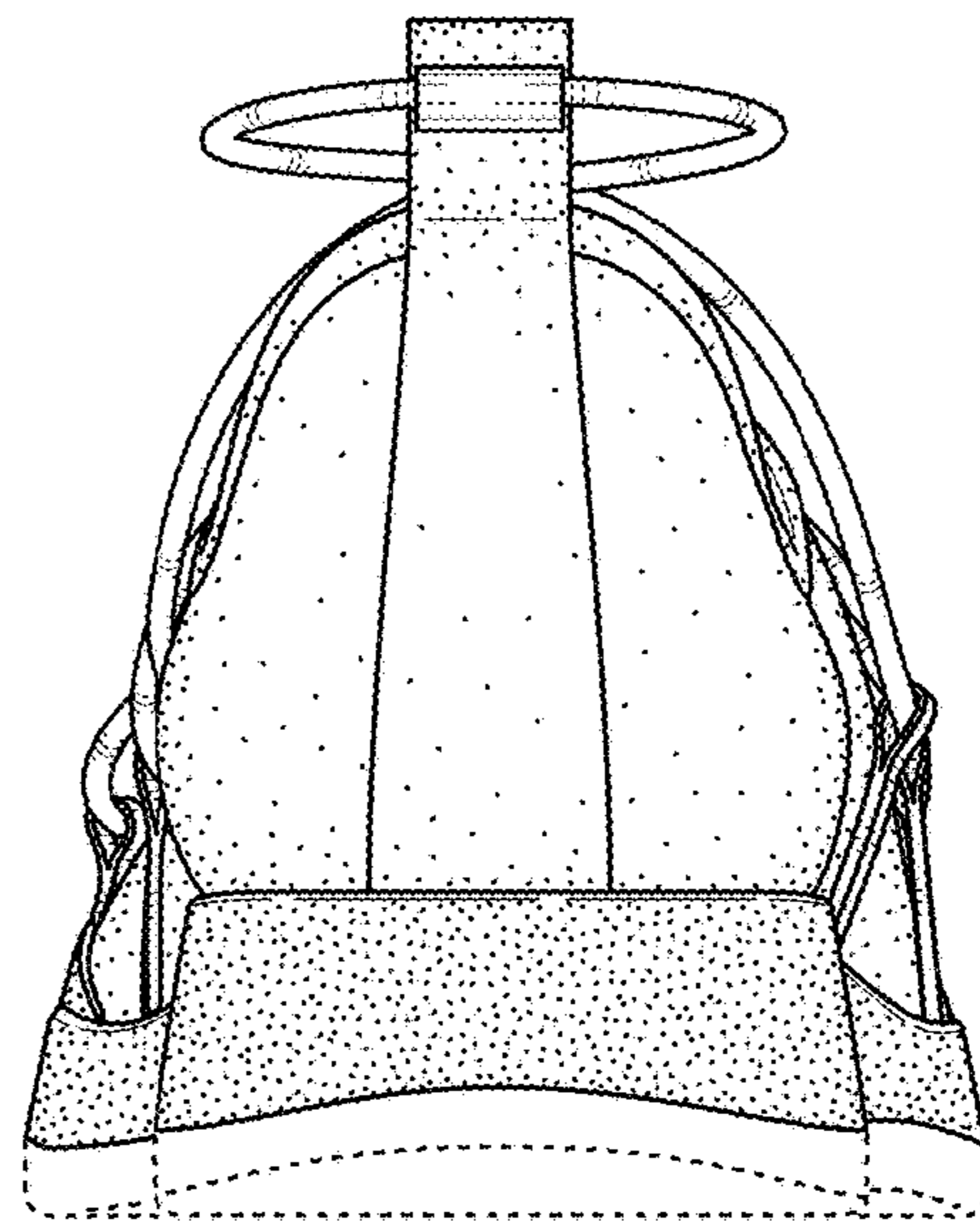


FIG. 11

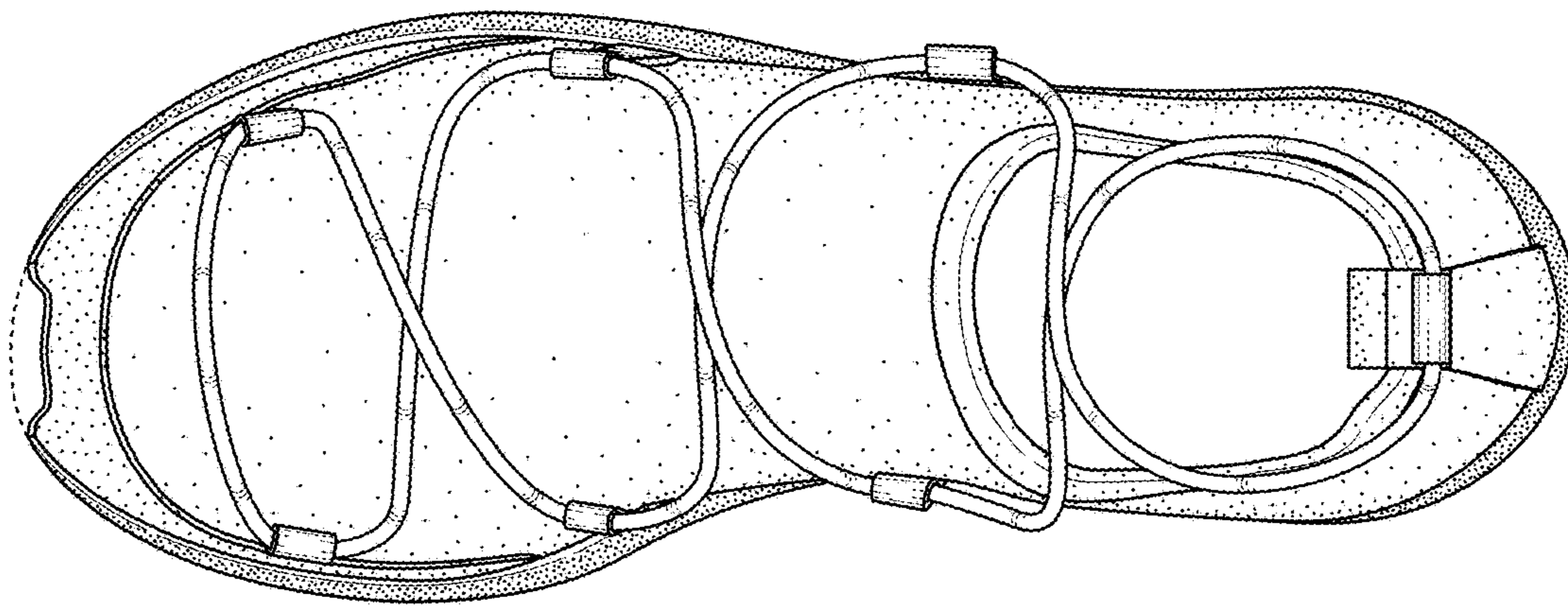


FIG. 12