



US00D847466S

(12) **United States Design Patent** (10) **Patent No.:** **US D847,466 S**
Harris et al. (45) **Date of Patent:** **** May 7, 2019**

(54) **LEGGINGS**

- (71) Applicant: **Color Image Apparel, Inc.**, Commerce, CA (US)
- (72) Inventors: **Daniel Harris**, Commerce, CA (US);
Marco DeGeorge, Commerce, CA (US)
- (73) Assignee: **ALO, LLC**, Commerce, CA (US)
- (**) Term: **15 Years**
- (21) Appl. No.: **29/615,714**
- (22) Filed: **Aug. 30, 2017**
- (51) **LOC (11) Cl.** **02-02**
- (52) **U.S. Cl.**
USPC **D2/742**
- (58) **Field of Classification Search**
USPC D2/712, 730, 731, 732, 733, 734, 735,
D2/738, 742, 743, 746, 747, 748
CPC A41D 1/08; A41D 13/0015; A41D 1/06;
A41D 2400/38
See application file for complete search history.

(56) **References Cited**

U.S. PATENT DOCUMENTS

| | | | | | | |
|--------------|------|---------|-------------|-------|--------------|-------|
| 4,862,523 | A * | 9/1989 | Lipov | | A41B 11/14 | 2/409 |
| 7,814,576 | B2 | 10/2010 | Nakazawa | | | |
| 9,089,175 | B2 | 7/2015 | Lambertz | | | |
| 9,144,252 | B1 * | 9/2015 | Kostrzewski | | A41D 1/08 | |
| 9,345,275 | B2 * | 5/2016 | Albin | | A41D 13/0015 | |
| D764,754 | S * | 8/2016 | McManus | | D2/742 | |
| D765,346 | S * | 9/2016 | Harris | | D2/742 | |
| D774,731 | S * | 12/2016 | Harris | | D2/742 | |
| D780,405 | S * | 3/2017 | Wenzel | | D2/742 | |
| 9,642,401 | B2 * | 5/2017 | Yamada | | A41D 13/0015 | |
| D790,162 | S * | 6/2017 | McManus | | D2/742 | |
| D798,027 | S * | 9/2017 | Brown | | D2/731 | |
| 9,850,601 | B2 * | 12/2017 | Shen | | A41D 13/0015 | |
| D812,856 | S * | 3/2018 | Korver | | D2/742 | |
| 2004/0255358 | A1 * | 12/2004 | Ota | | A41D 13/0015 | 2/69 |

OTHER PUBLICATIONS

- “Alo Interlace Leggings”. Found online Jul. 12, 2018 at www.aloyoga.com. Page dated May 21, 2017. Retrieved from https://www.aloyoga.com/collections/bottoms/products/w5541r-interlace-legging.*
- “Dear Lovers Interlace Leggings”. Found online Jul. 12, 2018 at www.amazon.com. Page dated Jan. 23, 2017. Retrieved from https://www.amazon.com/Dearlovers-Womens-Workout-Stretch-Leggings/dp/B01MSADUCA/ref=sr_1_sc_1?s=apparel&ie=UTF8&qid=1531840502&sr=1-1-spell&nodeID=7141123011&psd=1&keywords=Dear+lovers+LAceup+Legging.*
- “Ekouaer Womens Lace Up Leggings”. Found online Jul. 12, 2018 at www.amazon.com. Page dated Aug. 1, 2017. Retrieved from https://www.amazon.com/Ekouaer-Womens-Cutout-Legging-Skinny/dp/B074FZ53BJ/ref=pd_sim_193_16?_encoding=UTF8&pd_rd_i=B074FZ53BJ&pd_rd_r=308080f7-89d4-11e8-92dc-abf9c3f3f114&pd_rd_w=rdJHE&pd_rd_wg=jBf2O.*

(Continued)

Primary Examiner — R. Johnson
(74) Attorney, Agent, or Firm — Rutan & Tucker, LLP

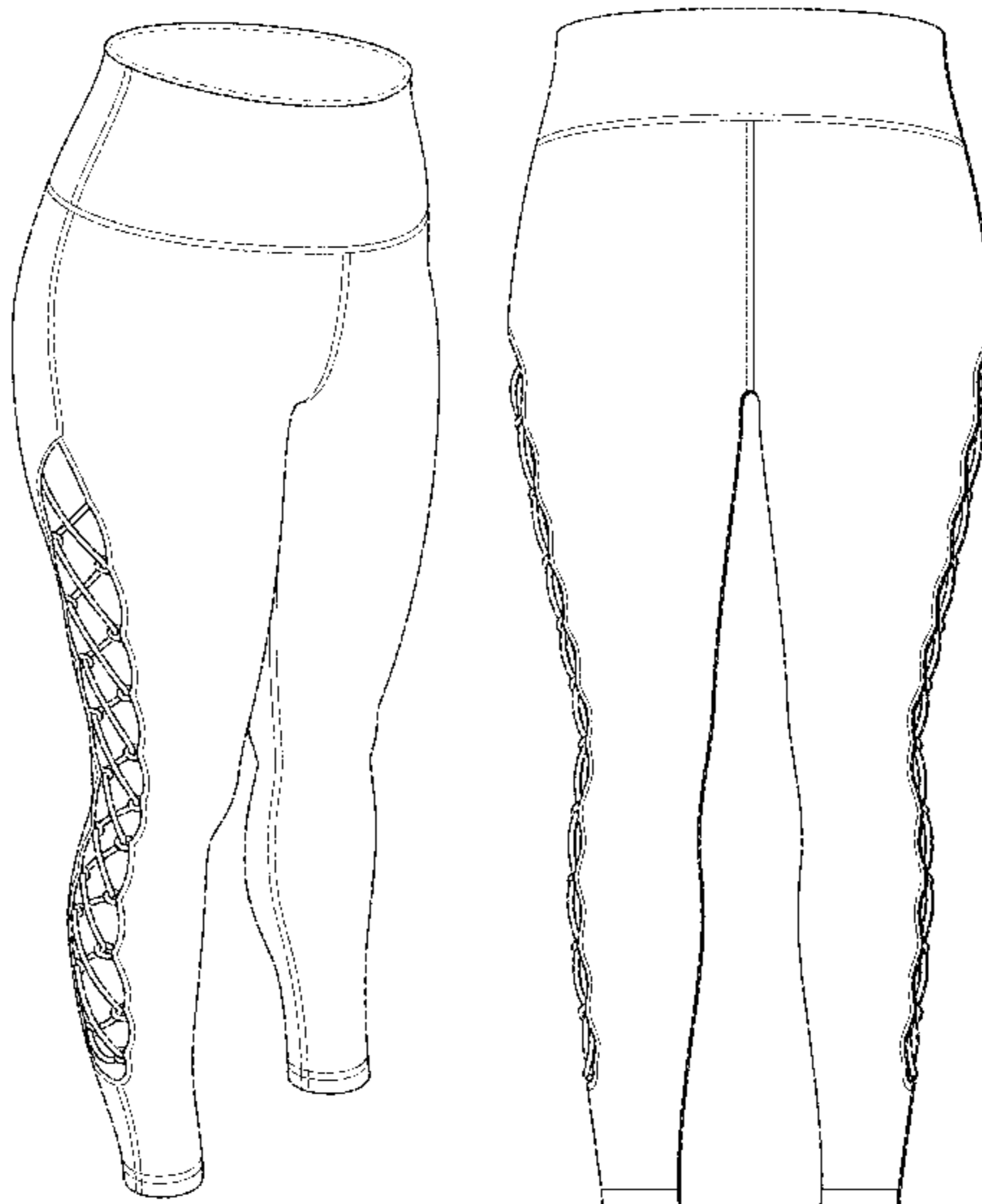
(57) **CLAIM**

The ornamental design for leggings, as shown and described.

DESCRIPTION

FIG. 1 is a top, front, right side perspective view of leggings; FIG. 2 is a front elevation view thereof; FIG. 3 is a rear elevation view thereof; FIG. 4 is a right elevation view thereof; FIG. 5 is a left elevation view thereof; FIG. 6 is a top plan view thereof; FIG. 7 is a bottom plan view thereof; and, FIG. 8 is a rear, left perspective view thereof. The broken lines in the drawings depict unclaimed boundaries of the design.

1 Claim, 6 Drawing Sheets



(56)

References Cited

OTHER PUBLICATIONS

“SweatyRocks Womens Leggings”. Found online Jul. 12, 2018 at www.amazon.com. Page dated Sep. 29, 2016. Retrieved from https://www.amazon.com/dp/B075WV2L5V/ref=twister_B0ILY0L634.*

Leggings’ published on website <https://twitter.com/PureBarreNaples> dated Mar. 9, 2017.

Leggings’ published on website <https://www.youtube.com/watch?v=Xlm9VPMVz0k> dated Feb. 11, 2017.

Leggings’ published website <https://www.facebook.com/aloclothing> dated Jul. 2, 2017.

Leggings’ published website <https://www.facebook.com/aloclothing> dated Jul. 9, 2017.

AU 201810630 filed Feb. 2, 2018 Examination Report dated Oct. 28, 2018.

AU 201811203 filed Feb. 28, 2018 Examination Report dated Oct. 28, 2018.

* cited by examiner

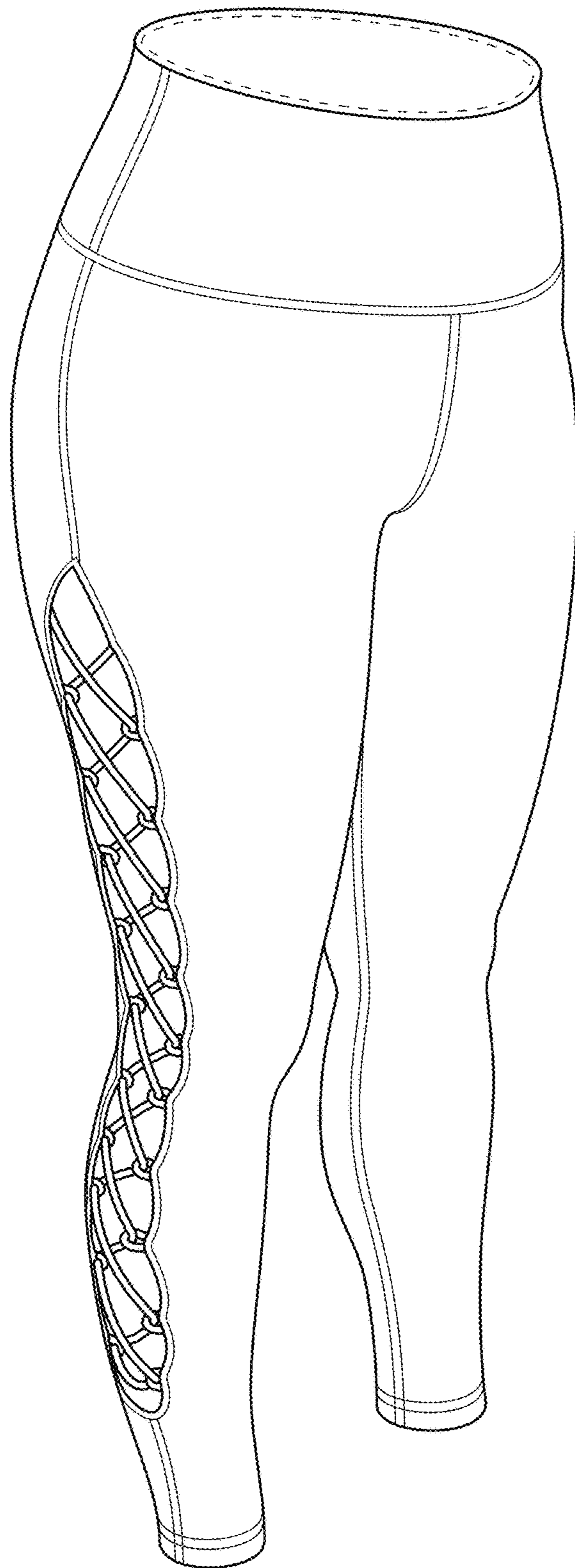


FIG. 1

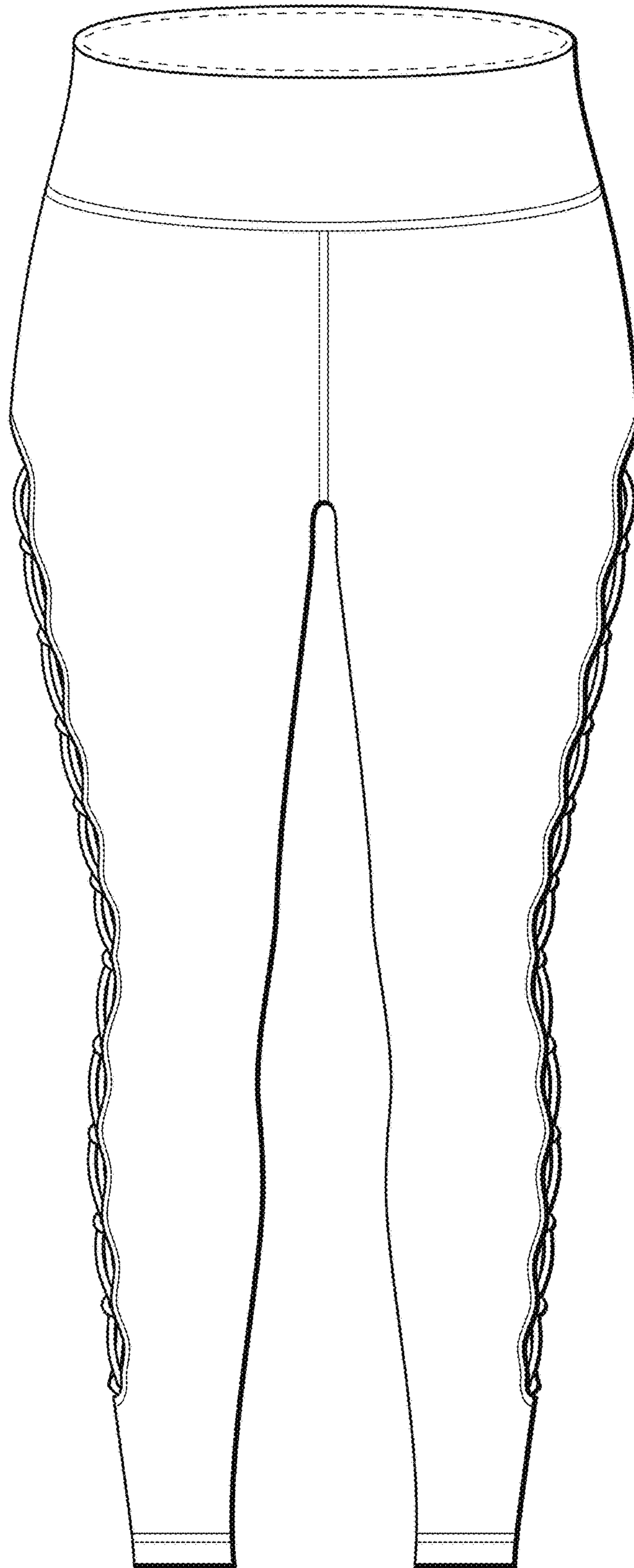


FIG. 2

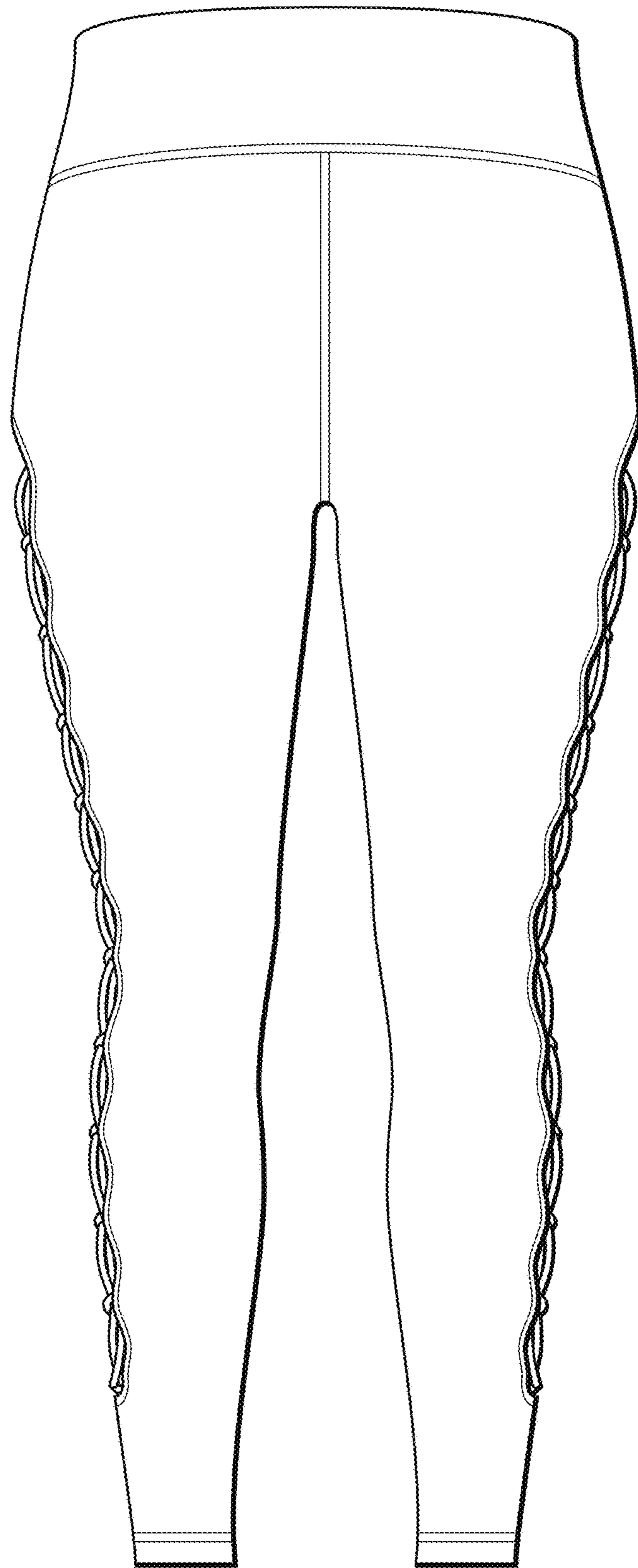


FIG. 3

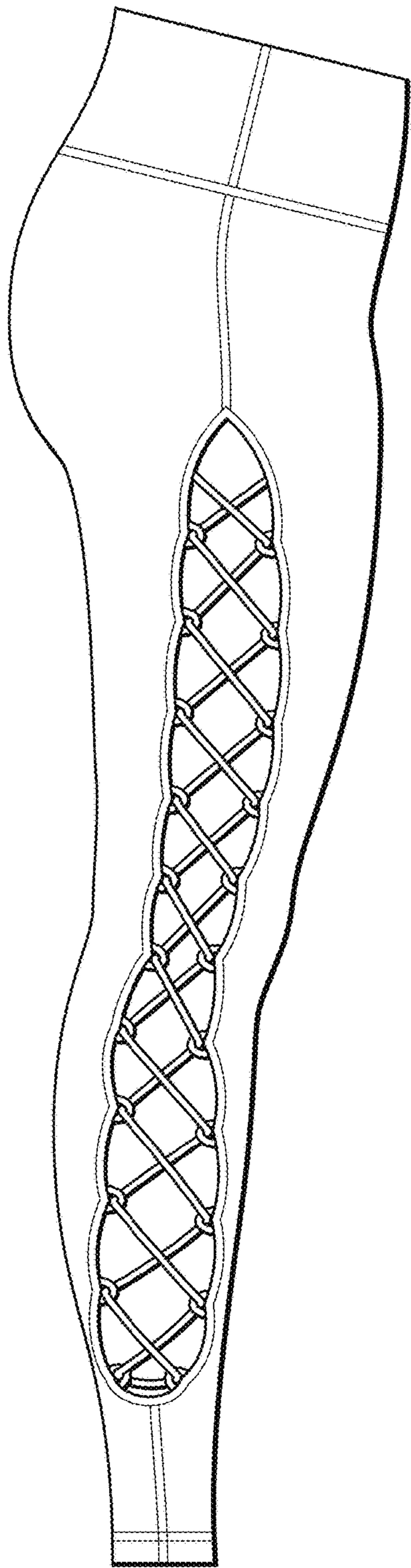


FIG. 4

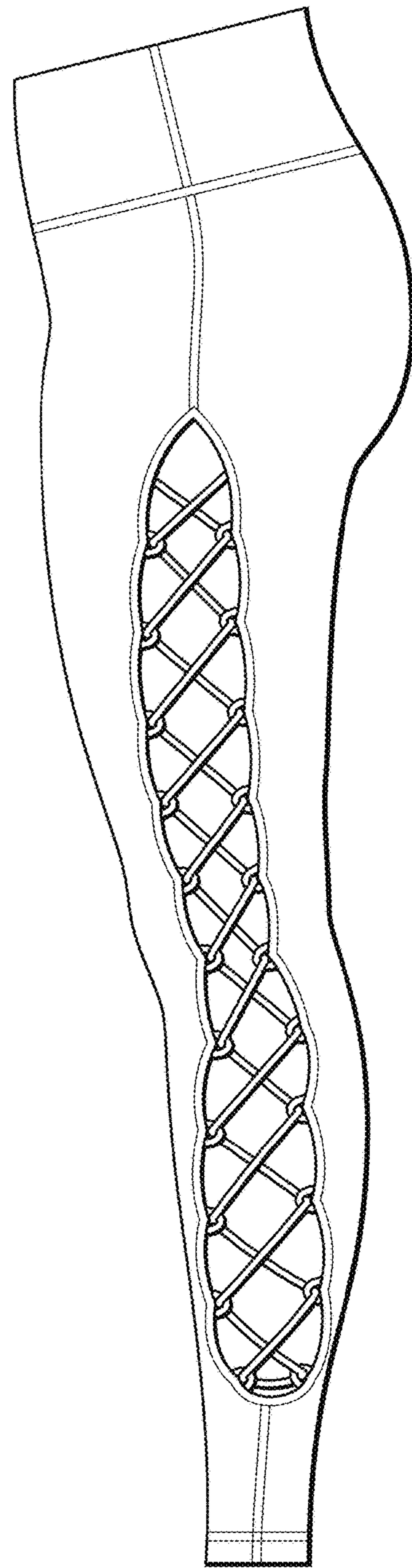


FIG. 5

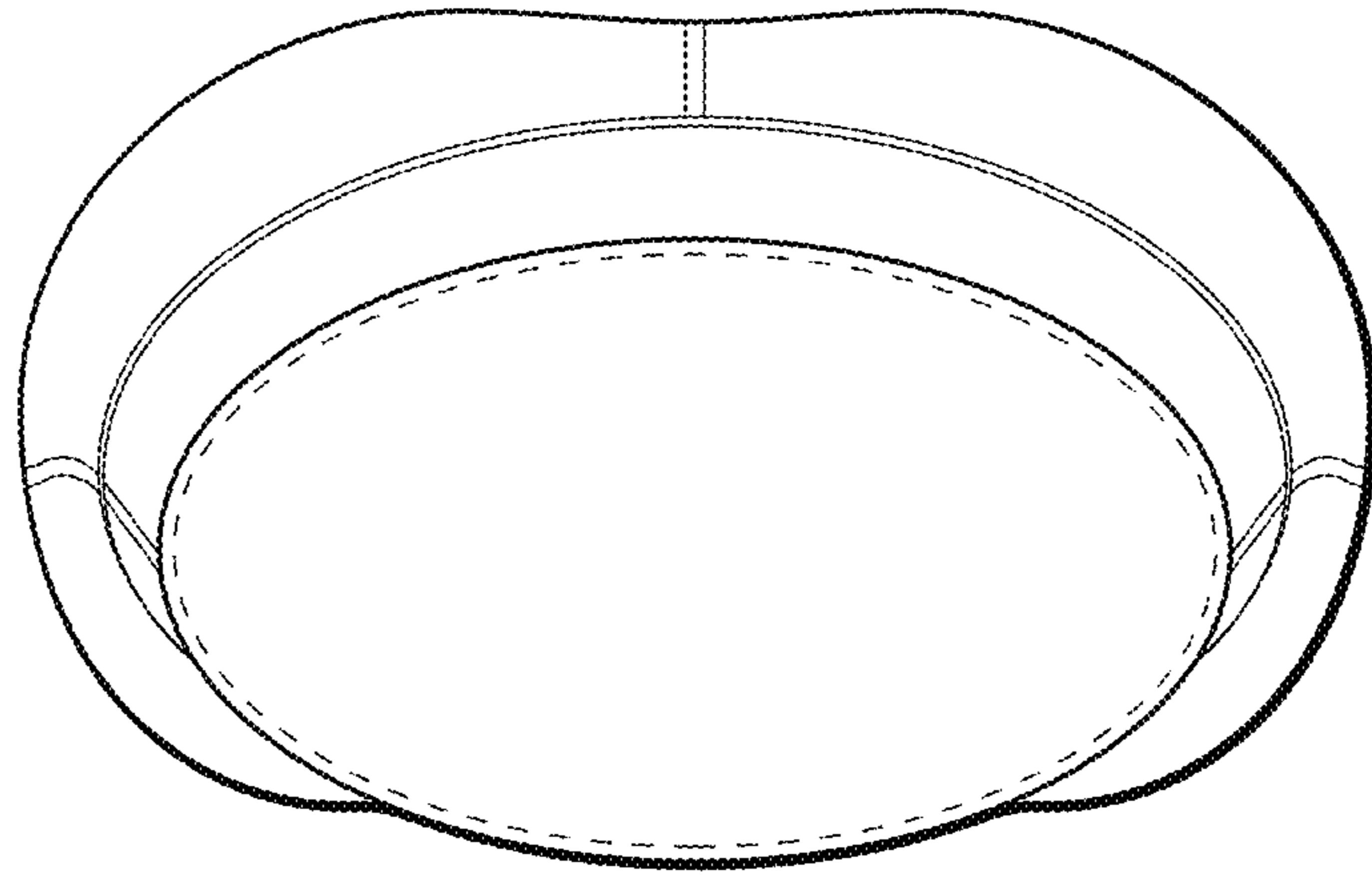


FIG. 6

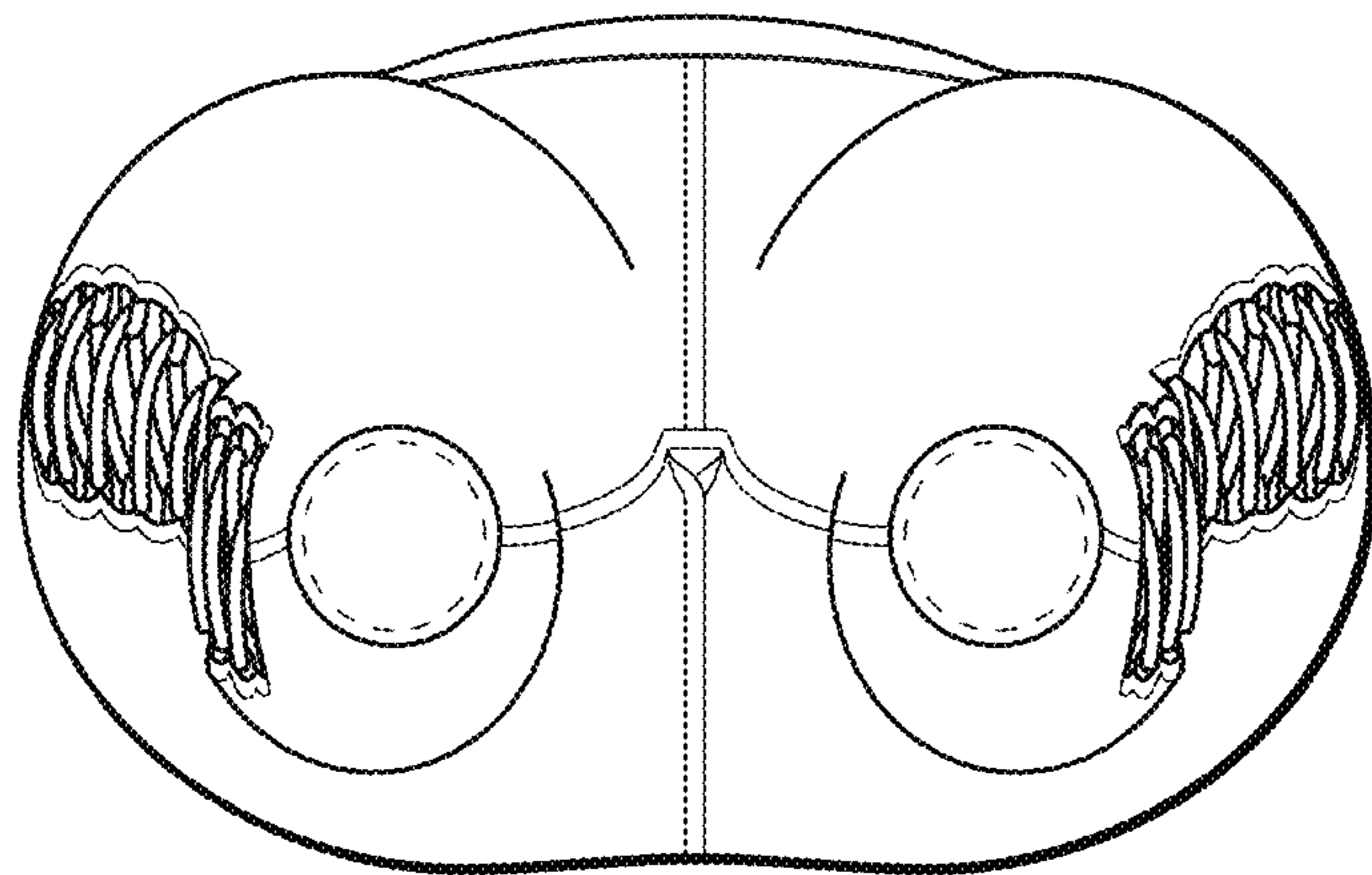


FIG. 7

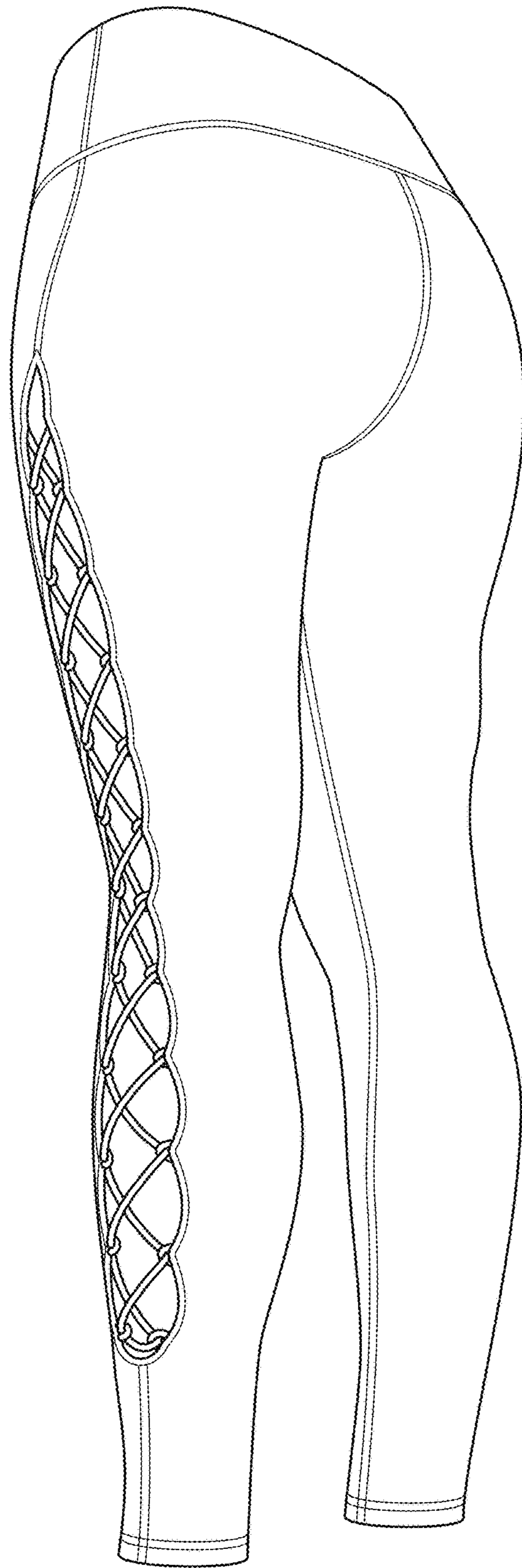


FIG. 8