

US00D847462S

(12) **United States Design Patent** (10) **Patent No.:** **US D847,462 S**
Waldman (45) **Date of Patent:** **** May 7, 2019**

- (54) **SWIMSUIT**
- (71) Applicant: **Global Trademarks, Inc.**, Stockerton, PA (US)
- (72) Inventor: **Mark Waldman**, Annandale, NJ (US)
- (73) Assignee: **Global Trademarks, Inc.**
- (**) Term: **15 Years**
- (21) Appl. No.: **29/604,767**
- (22) Filed: **May 19, 2017**
- (51) **LOC (11) Cl.** **02-02**
- (52) **U.S. Cl.**
USPC **D2/731**
- (58) **Field of Classification Search**
USPC D2/731-735, 840, 749, 848; 2/67
CPC A41D 7/00; A41D 7/006
See application file for complete search history.

- 8,418,268 B2 4/2013 Waldman et al.
- D687,212 S 8/2013 Waldman et al.
- D693,542 S 11/2013 Waldman
- D701,675 S 4/2014 Waldman
- 8,726,700 B2 5/2014 Waldman et al.
- D706,019 S 6/2014 Waldman
- D717,523 S 11/2014 Waldman

(Continued)

FOREIGN PATENT DOCUMENTS

FR 2135511 A1 * 12/1972 A41D 7/00

Primary Examiner — R. Johnson

(74) *Attorney, Agent, or Firm* — The Belles Group, P.C.

(57) **CLAIM**

The ornamental design for a swimsuit, as shown and described.

DESCRIPTION

FIG. 1 is a front view of a swimsuit on a model showing the new design according to a first embodiment of the present invention.

FIG. 2 is a rear view thereof.

FIG. 3 is a left-side view thereof.

FIG. 4 is a right-side view thereof.

FIG. 5 is a front view of a swimsuit on a model showing the new design according to a second embodiment of the present invention.

FIG. 6 is a rear view thereof.

FIG. 7 is a left-side view thereof; and,

FIG. 8 is a right-side view thereof.

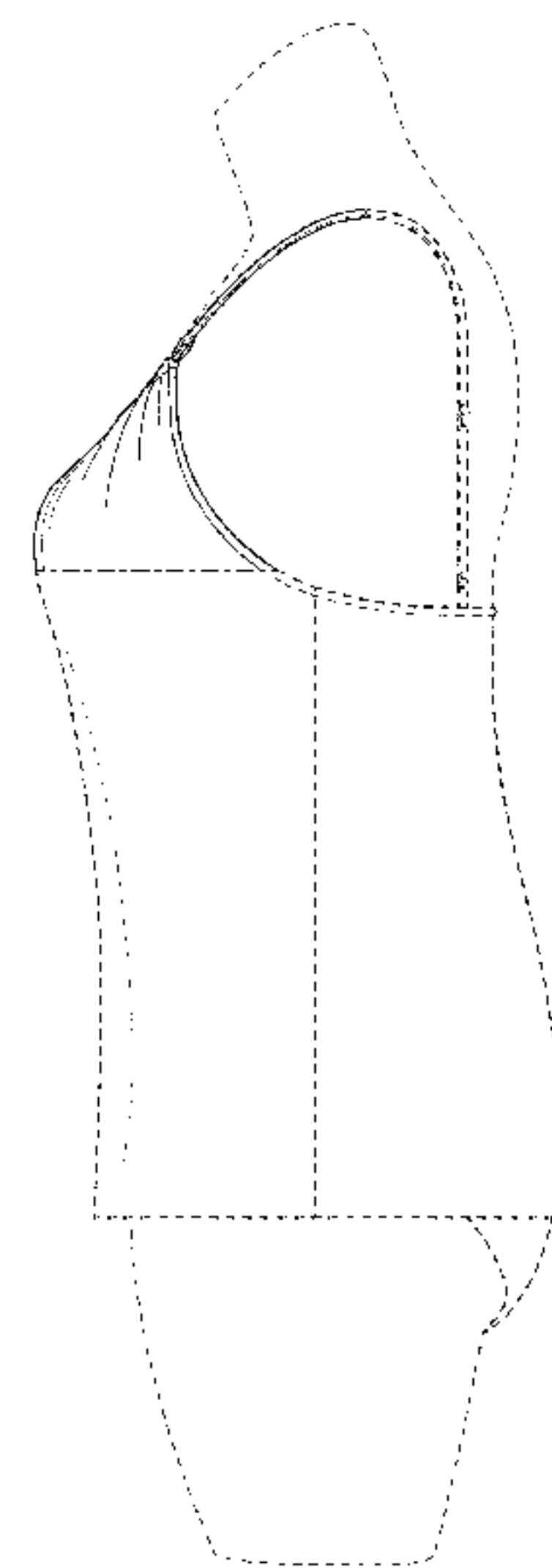
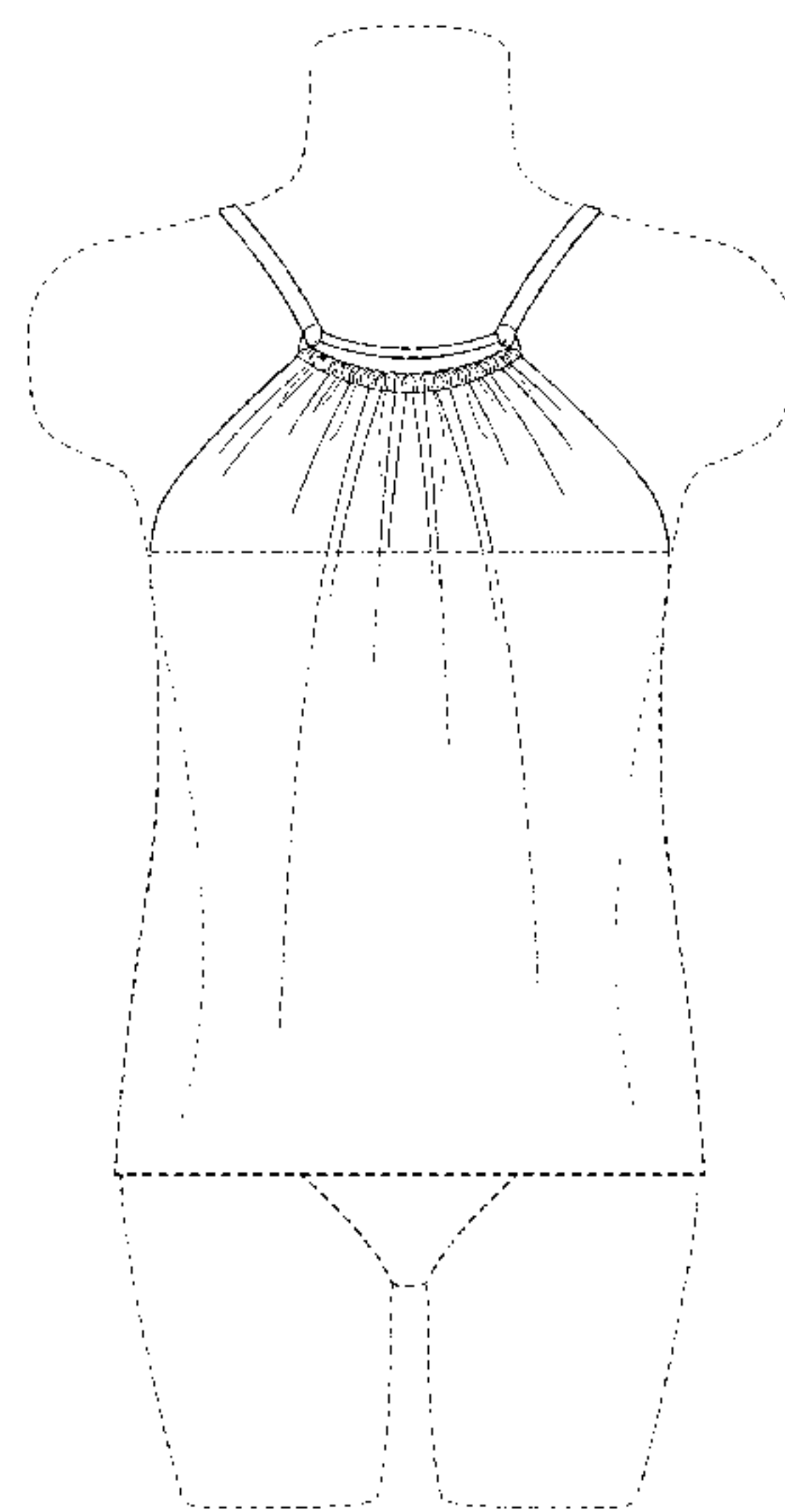
The dash-dot-dash lines immediately adjacent to the solid lines and shade lines illustrating portions of the swimsuit define the bounds of the claimed design and form no part thereof. The broken lines illustrating portions of the swimsuit form no part of the claimed design. All other broken lines illustrating the body are for environmental purposes only and form no part of the claimed design.

1 Claim, 8 Drawing Sheets

(56) **References Cited**

U.S. PATENT DOCUMENTS

- 2,013,554 A * 9/1935 De Benedetto A41D 7/00
2/52
- 2,060,689 A 11/1936 Read
- 2,418,987 A * 4/1947 Reid A41C 3/08
450/31
- 2,457,219 A * 12/1948 Fischer A41D 7/001
2/67
- 5,359,732 A 11/1994 Waldman et al.
- D600,880 S 9/2009 Waldman
- D613,036 S 4/2010 Waldman
- D613,477 S 4/2010 Waldman
- D620,229 S 7/2010 Waldman
- D625,079 S 10/2010 Souza et al.
- D634,510 S 3/2011 Waldman
- D635,740 S 4/2011 Waldman
- D636,559 S 4/2011 Maestrales
- D641,958 S 7/2011 Waldman
- D679,071 S 4/2013 Waldman



(56)

References Cited

U.S. PATENT DOCUMENTS

8,990,965	B2	3/2015	Waldman et al.	
D727,594	S	4/2015	Waldman	
D728,896	S	5/2015	Waldman	
D728,897	S	5/2015	Waldman	
D729,496	S	5/2015	Tucker	
D730,620	S	6/2015	Tucker	
D731,145	S	6/2015	Davis	
D731,146	S	6/2015	Dweck	
D731,749	S	6/2015	Waldman	
D735,971	S	8/2015	Saylor et al.	
D742,620	S	11/2015	Waldman et al.	
D746,021	S	12/2015	Saylor et al.	
D755,475	S	5/2016	Waldman	
D755,476	S *	5/2016	Waldman	D2/735
D773,776	S	12/2016	Waldman	
D774,730	S *	12/2016	Waldman	D2/731
D775,783	S	1/2017	Waldman	
D791,438	S *	7/2017	Holmes	D2/735
D794,906	S *	8/2017	Waldman	D2/731
D797,404	S *	9/2017	Waldman	D2/735

* cited by examiner

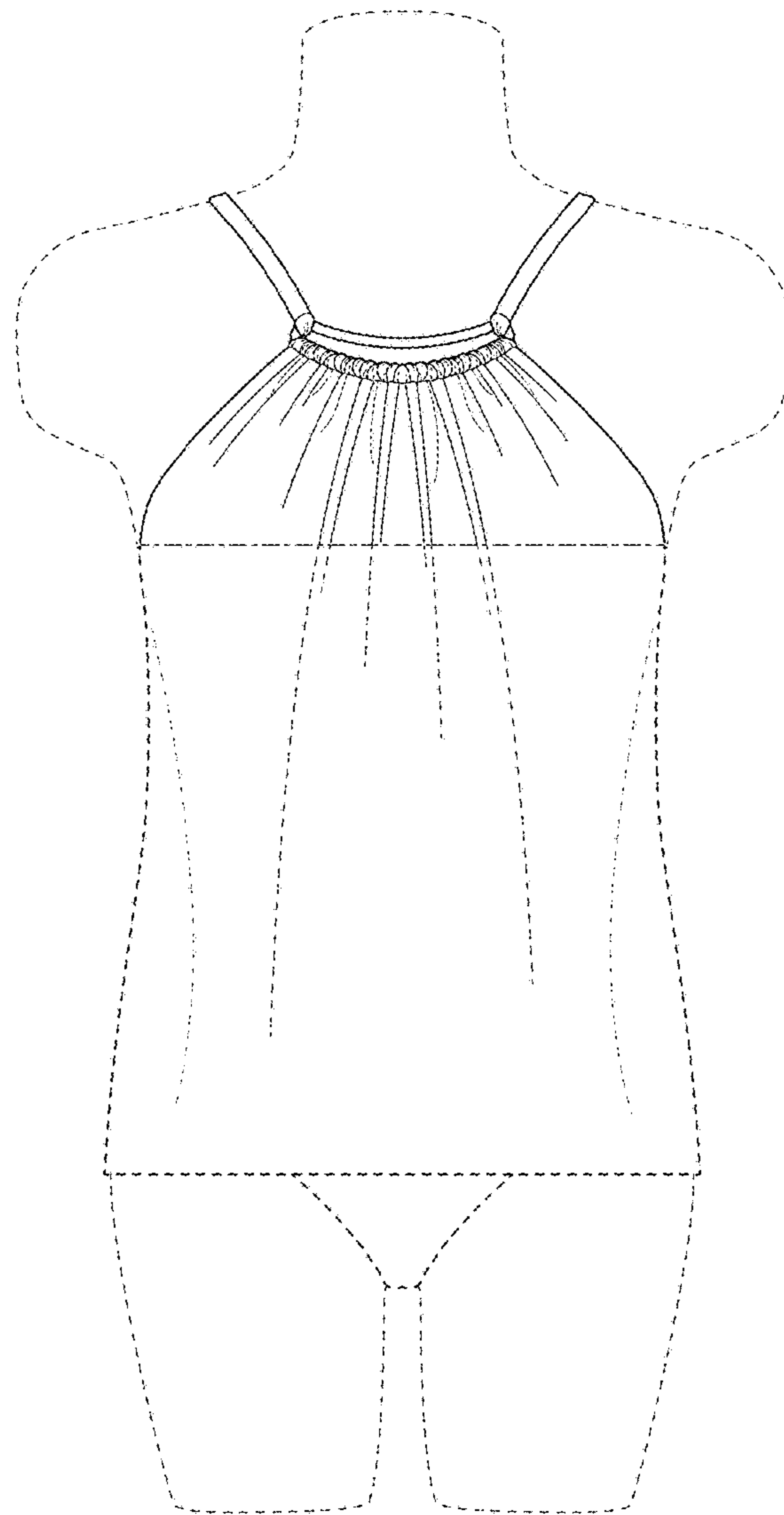


FIG. 1

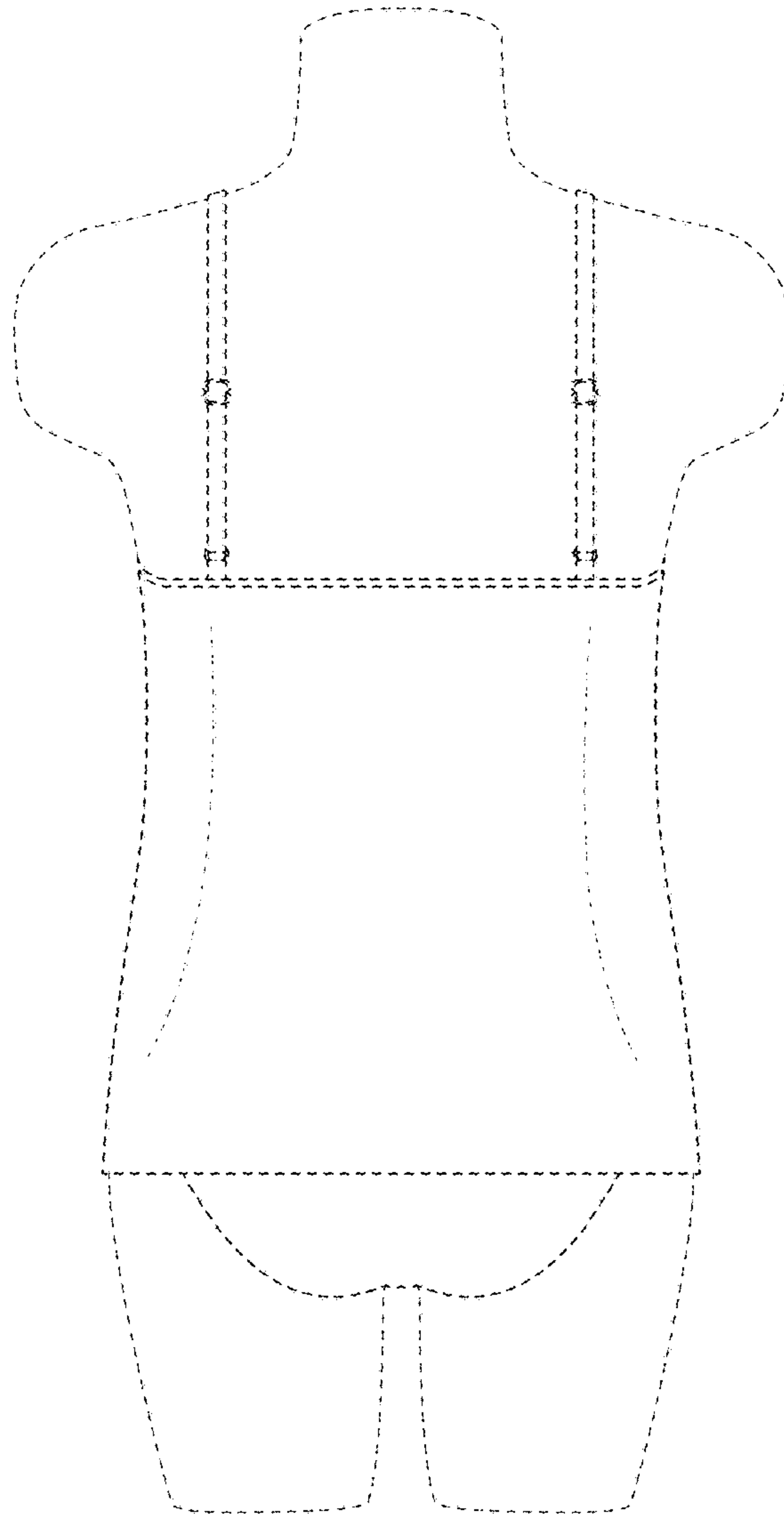


FIG. 2

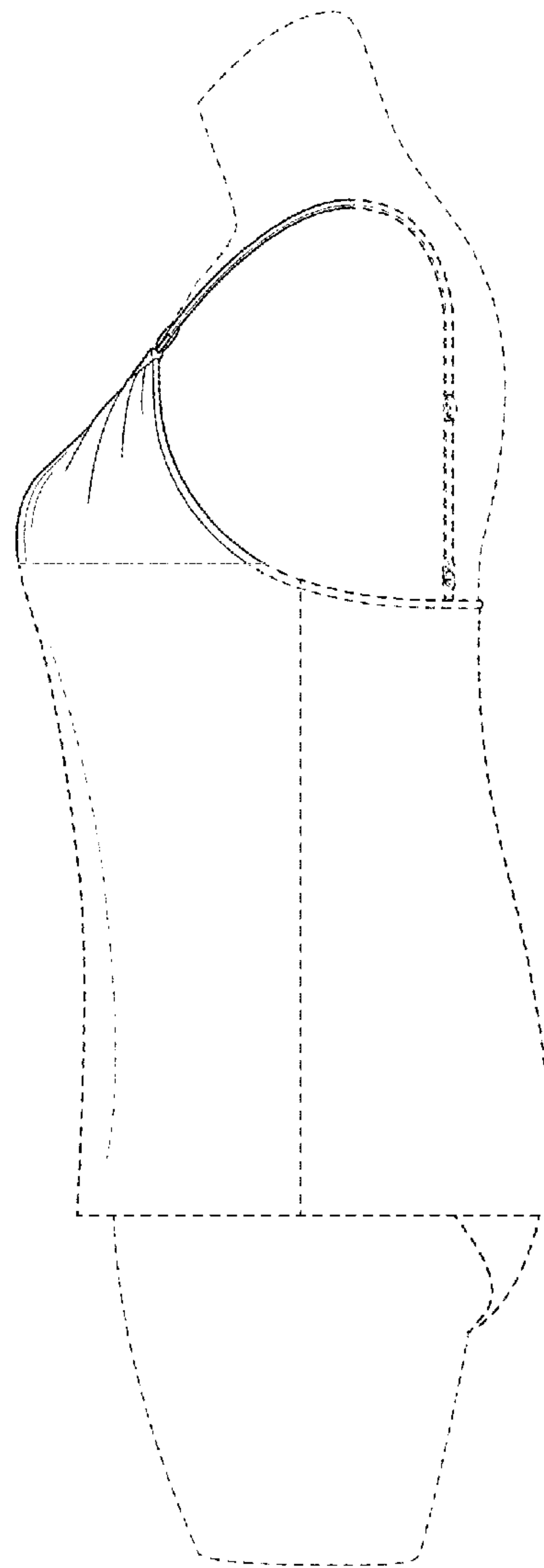


FIG. 3

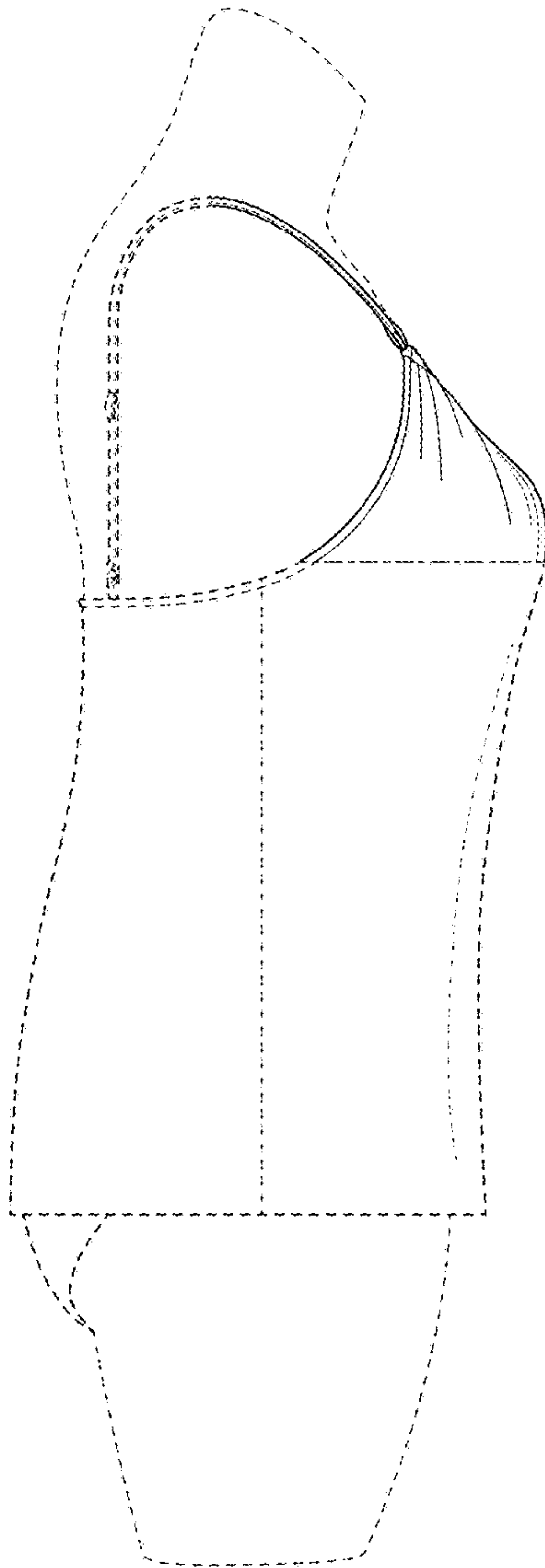


FIG. 4

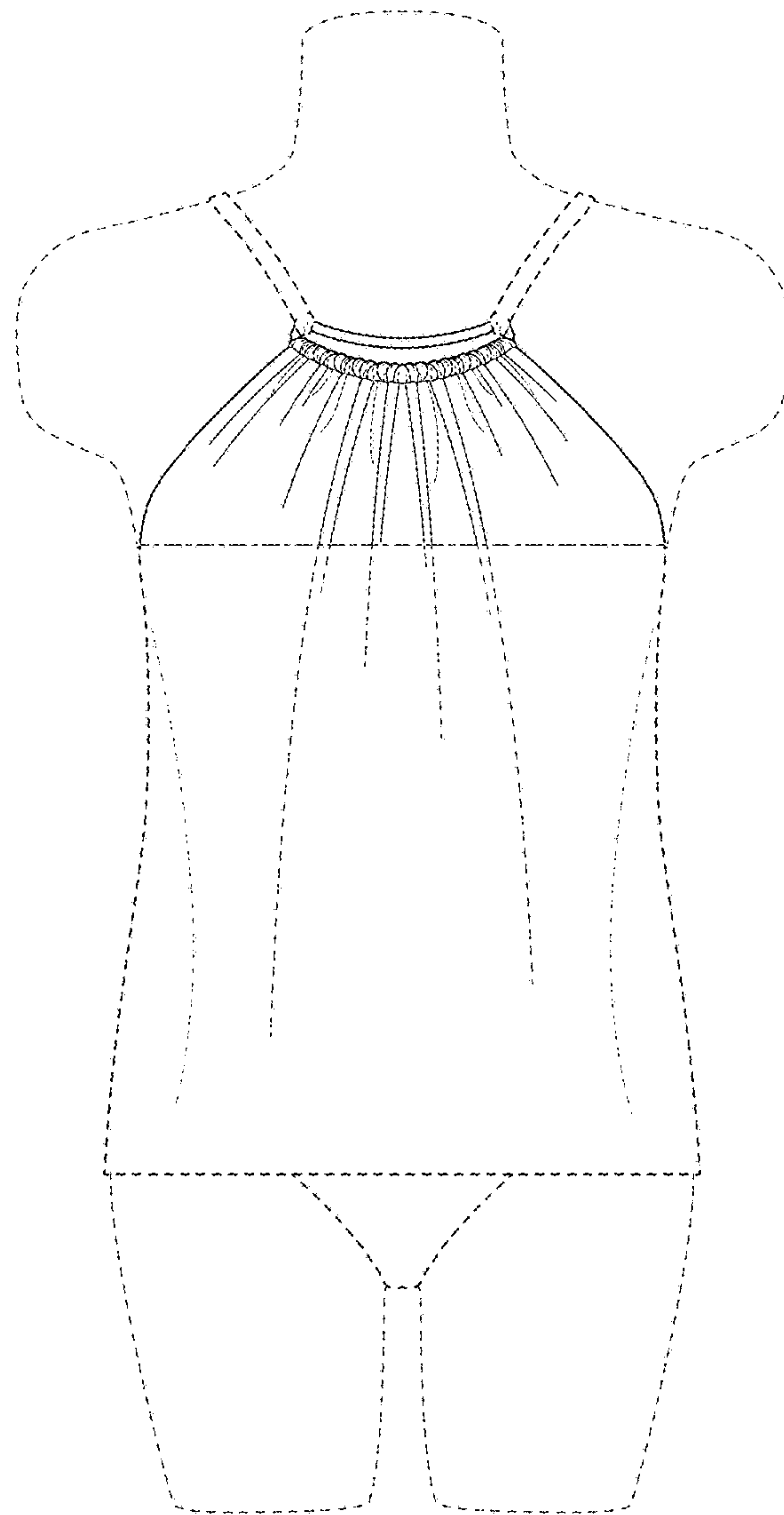


FIG. 5

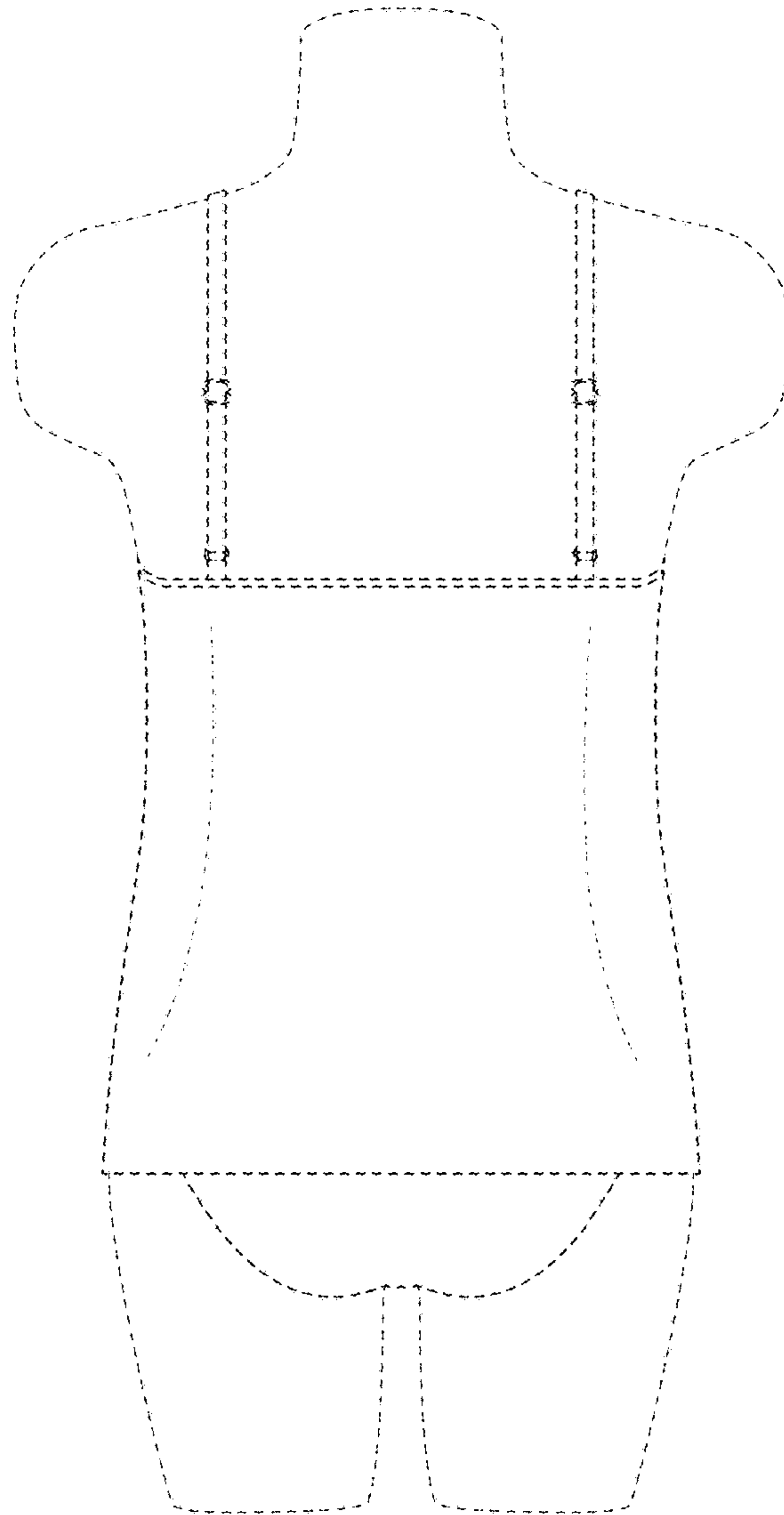


FIG. 6

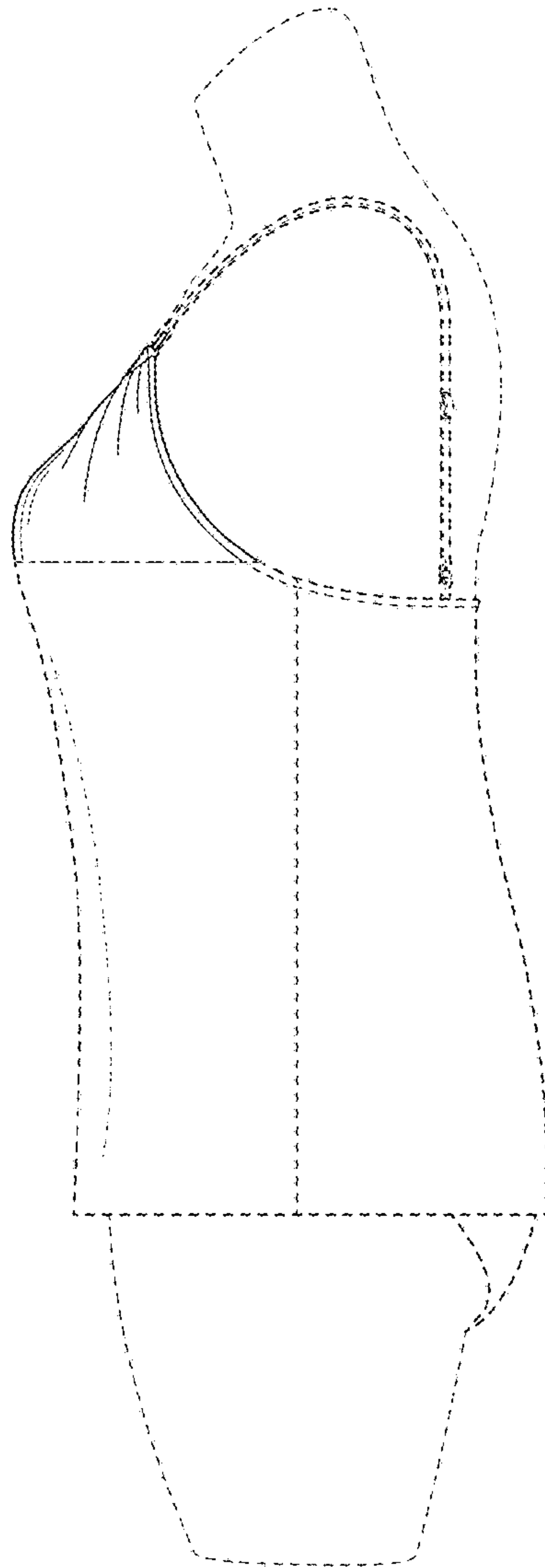


FIG. 7

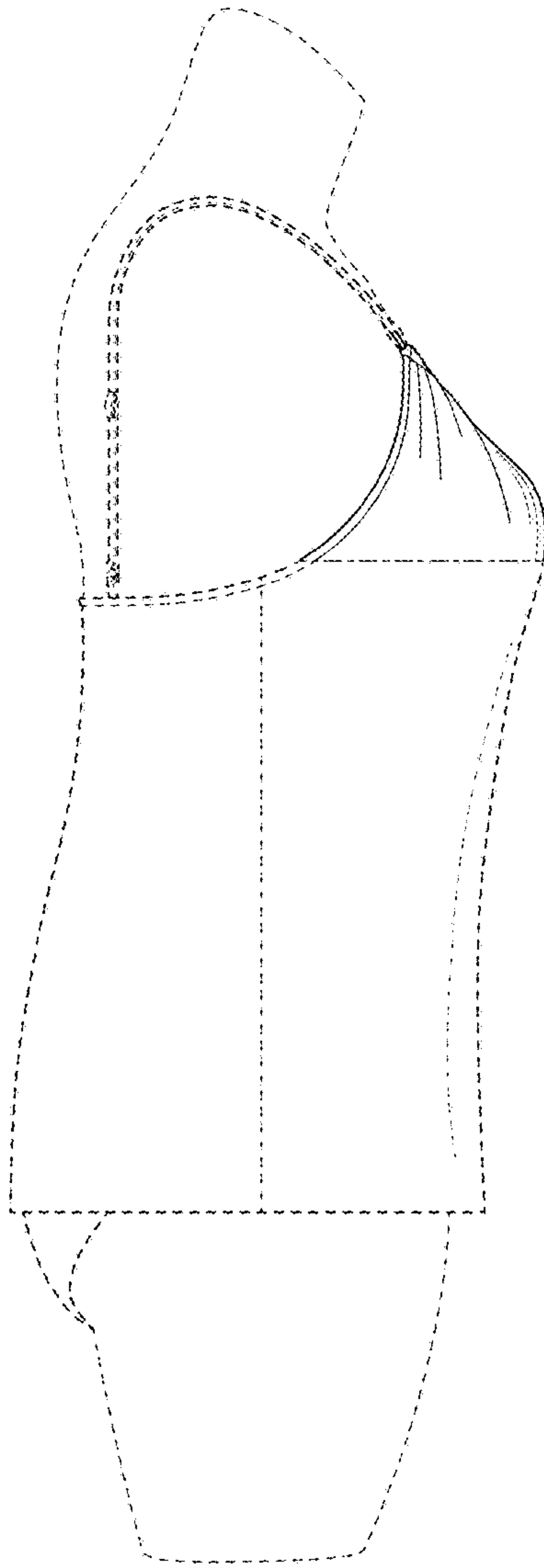


FIG. 8