



US00D847455S

(12) **United States Design Patent**
Kanigzwald

(10) **Patent No.:** **US D847,455 S**

(45) **Date of Patent:** **** May 7, 2019**

(54) **EDIBLE CUP**

(71) Applicant: **Zvi Kanigzwald**, Haifa (IL)

(72) Inventor: **Zvi Kanigzwald**, Haifa (IL)

(73) Assignee: **Zvi Kanigzwald**, Haifa (IL)

(**) Term: **15 Years**

(21) Appl. No.: **29/640,380**

(22) Filed: **Mar. 14, 2018**

(51) **LOC (11) Cl.** **01-01**

(52) **U.S. Cl.**

USPC **D1/124**

(58) **Field of Classification Search**

USPC D1/100-130, 199; 426/92, 94, 104, 134,
426/138, 143, 275, 277, 279, 281-284,
426/292, 295, 391, 496, 514, 566, 572,
426/660, 658, 76; 249/92; D8/83;
D21/487; D7/536, 607, 608, 515, 531,
D7/540, 507, 523, 532, 619.1, 620, 624.1;
D9/428-430, 516, 692, 744, 416, 436

CPC A23L 1/0067; A23L 1/1645; A23G 9/503;
A23G 9/48; A23G 3/54; A23C 2270/05

See application file for complete search history.

(56) **References Cited**

U.S. PATENT DOCUMENTS

D319,913 S * 9/1991 George 426/514
5,088,673 A * 2/1992 Chandler B60N 3/103
215/386

D332,891 S * 2/1993 Cumberland D12/419
D361,017 S * 8/1995 Keven D7/619.1
D377,091 S * 12/1996 Scott, Sr. D24/121
D505,300 S * 5/2005 Walsh D7/608
D604,564 S * 11/2009 Walter D7/620
D622,108 S * 8/2010 McKnight D7/619.1
D643,252 S * 8/2011 Seidl A47C 7/725
D7/619.1
D704,383 S * 5/2014 Edlin D30/121
D714,594 S * 10/2014 Blandl D12/419
D798,673 S * 10/2017 Gilmore D7/624.1
D819,884 S * 6/2018 Shotwell D27/135

* cited by examiner

Primary Examiner — Katie Jane Stofko

(57) **CLAIM**

The ornamental design for an edible cup, as shown and described.

DESCRIPTION

FIG. 1 is a rear perspective view of an edible cup showing my new design;

FIG. 2 is a top view thereof;

FIG. 3 is a front view thereof;

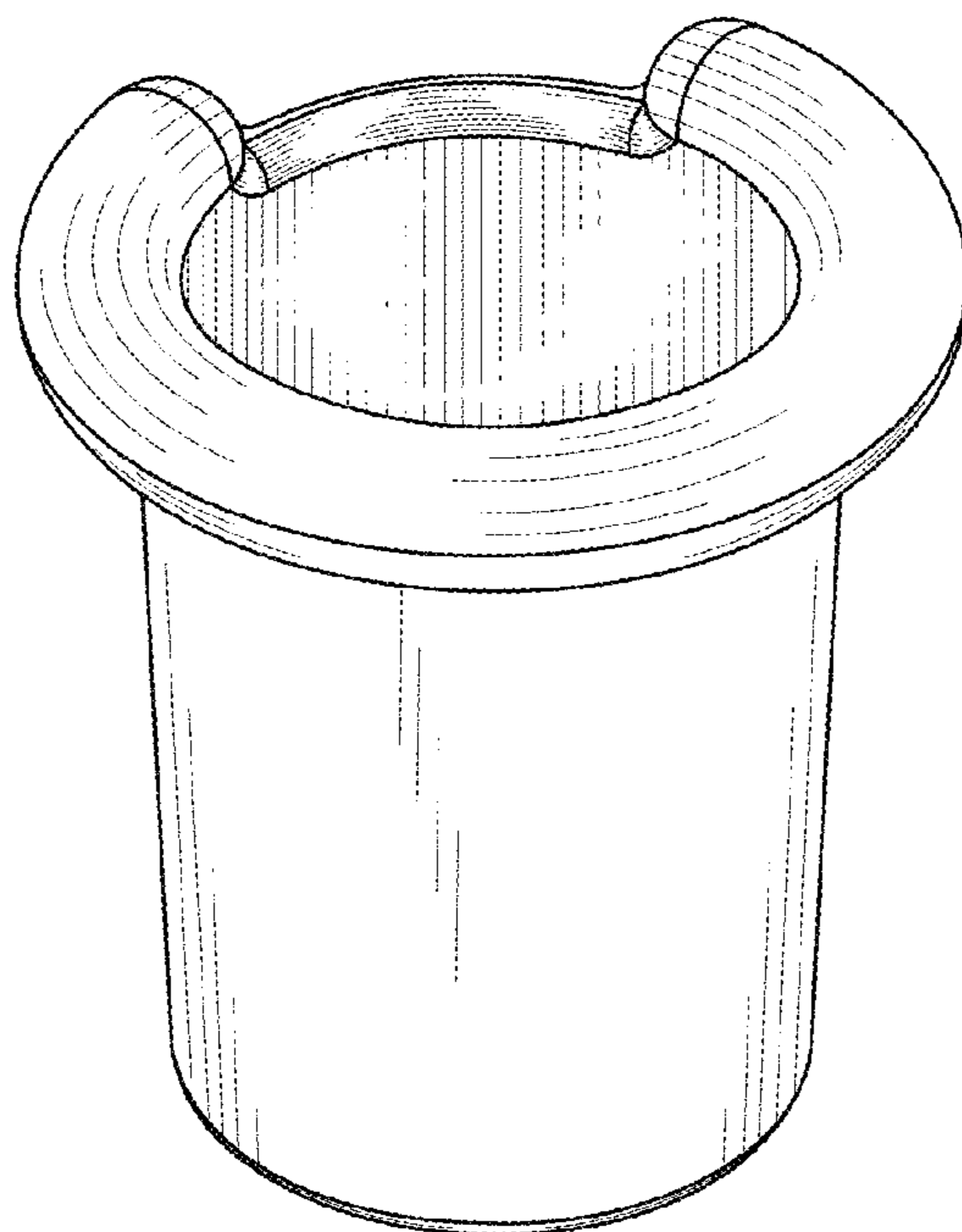
FIG. 4 is a rear view thereof;

FIG. 5 is a right view thereof;

FIG. 6 is a left view thereof; and,

FIG. 7 is a bottom view thereof.

1 Claim, 7 Drawing Sheets



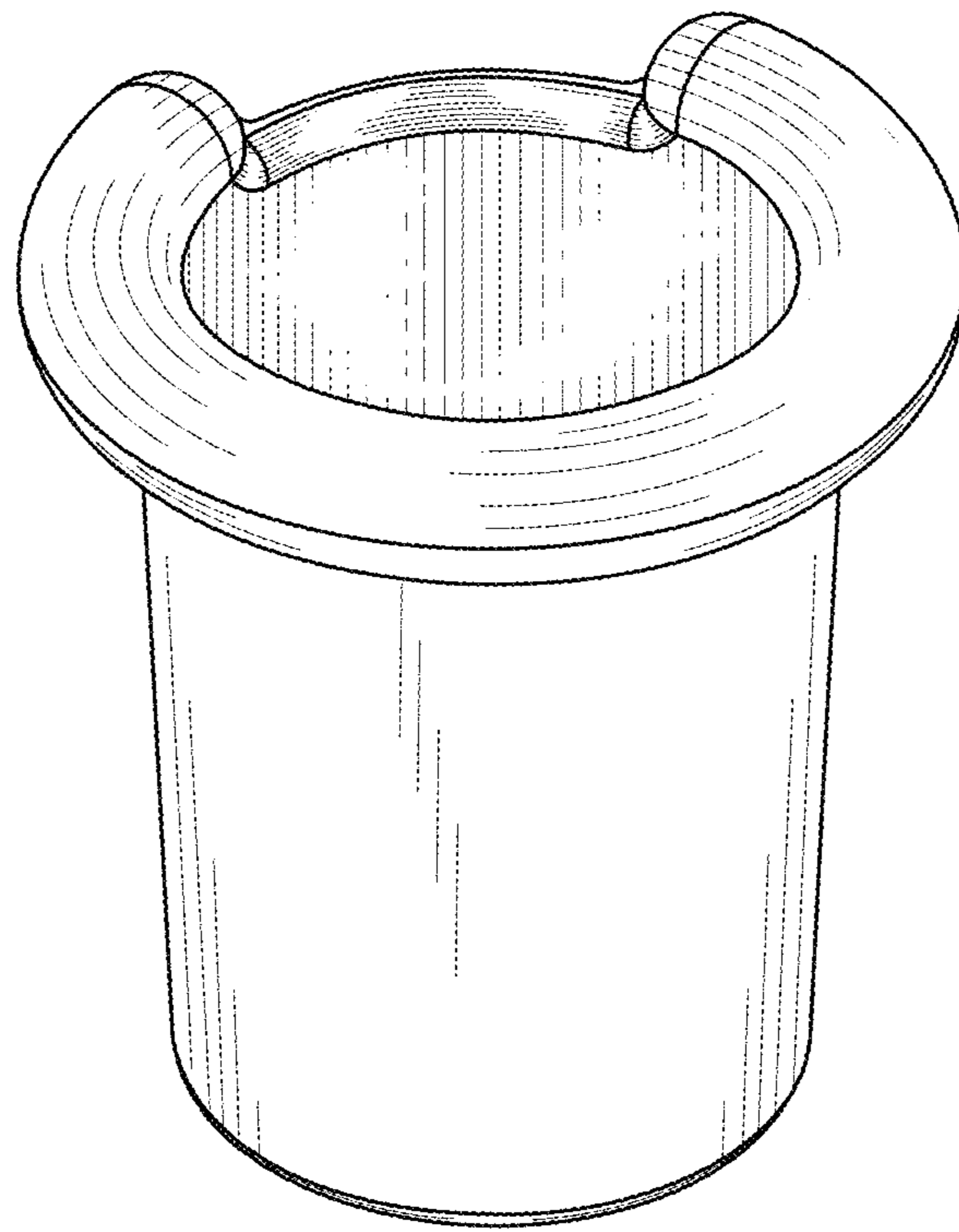


FIG. 1

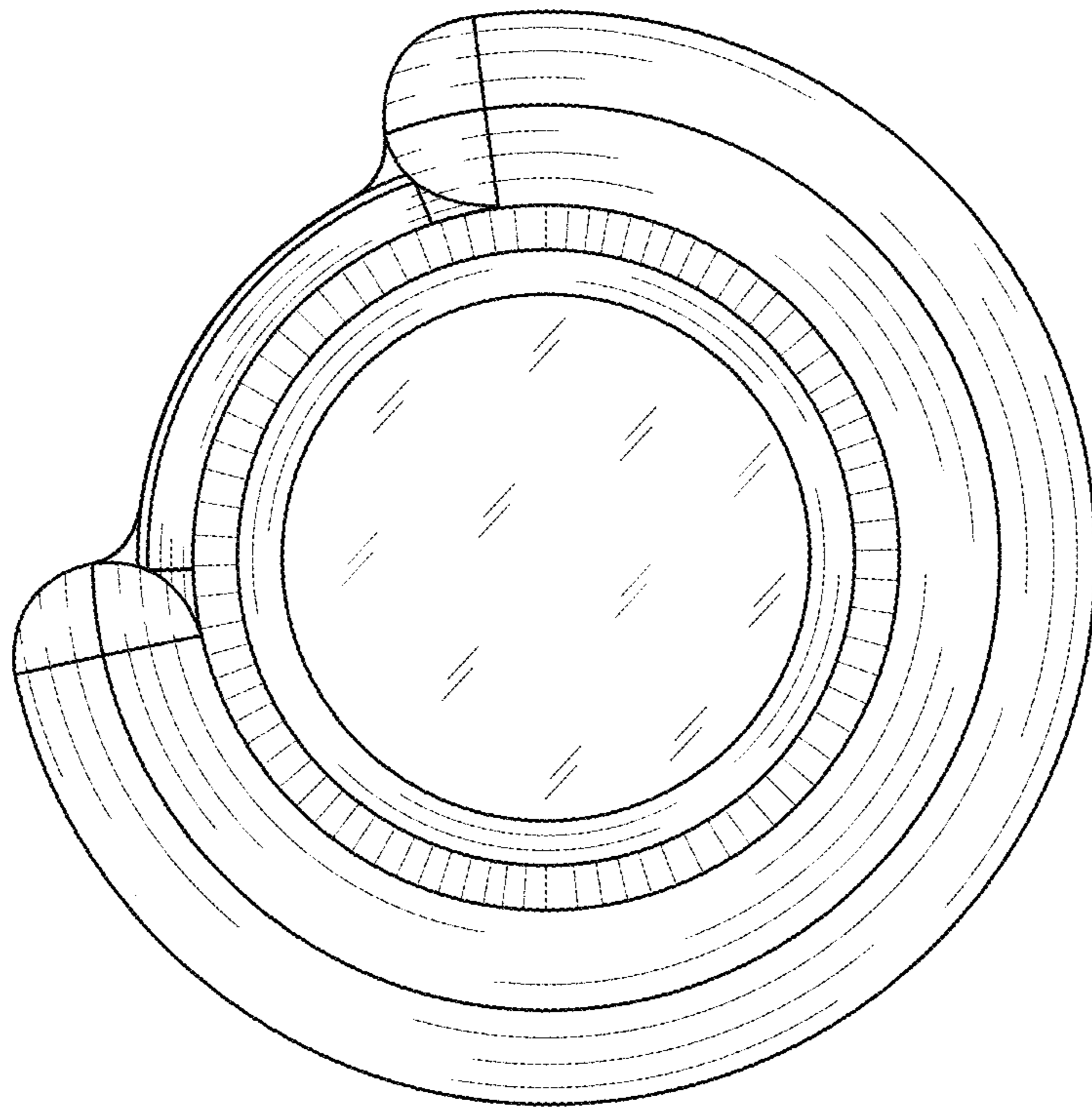


FIG. 2

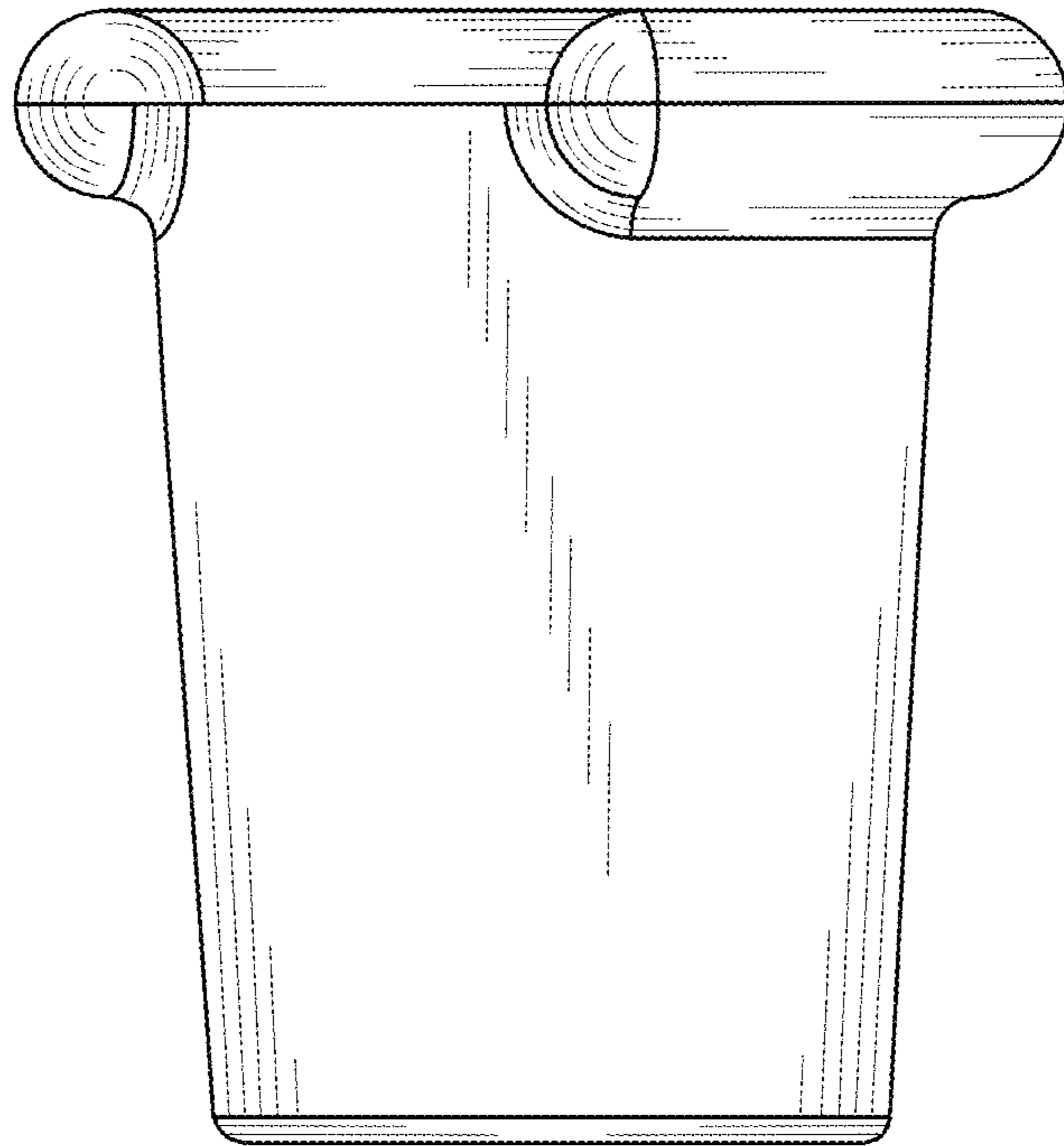


FIG. 3

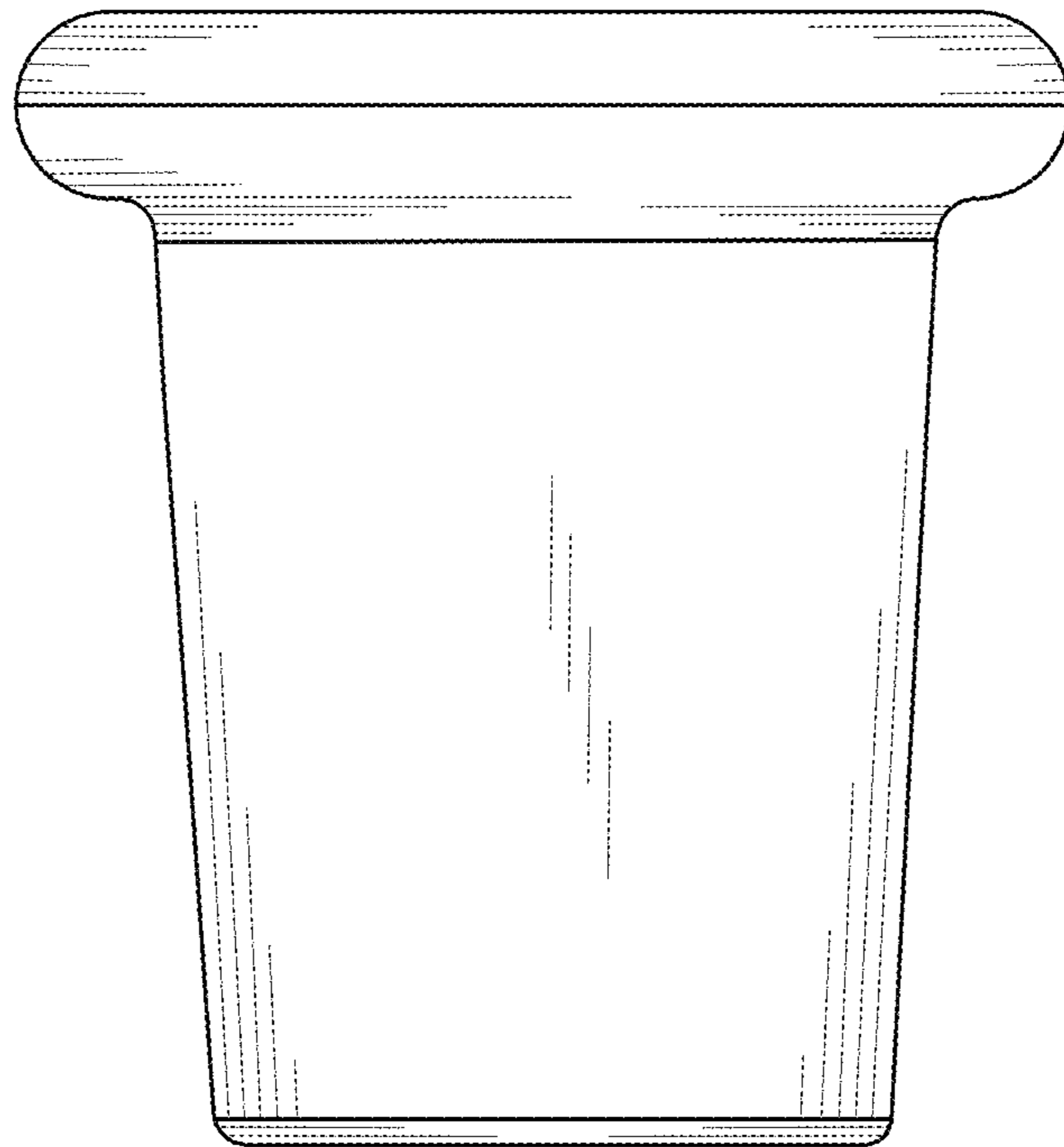


FIG. 4

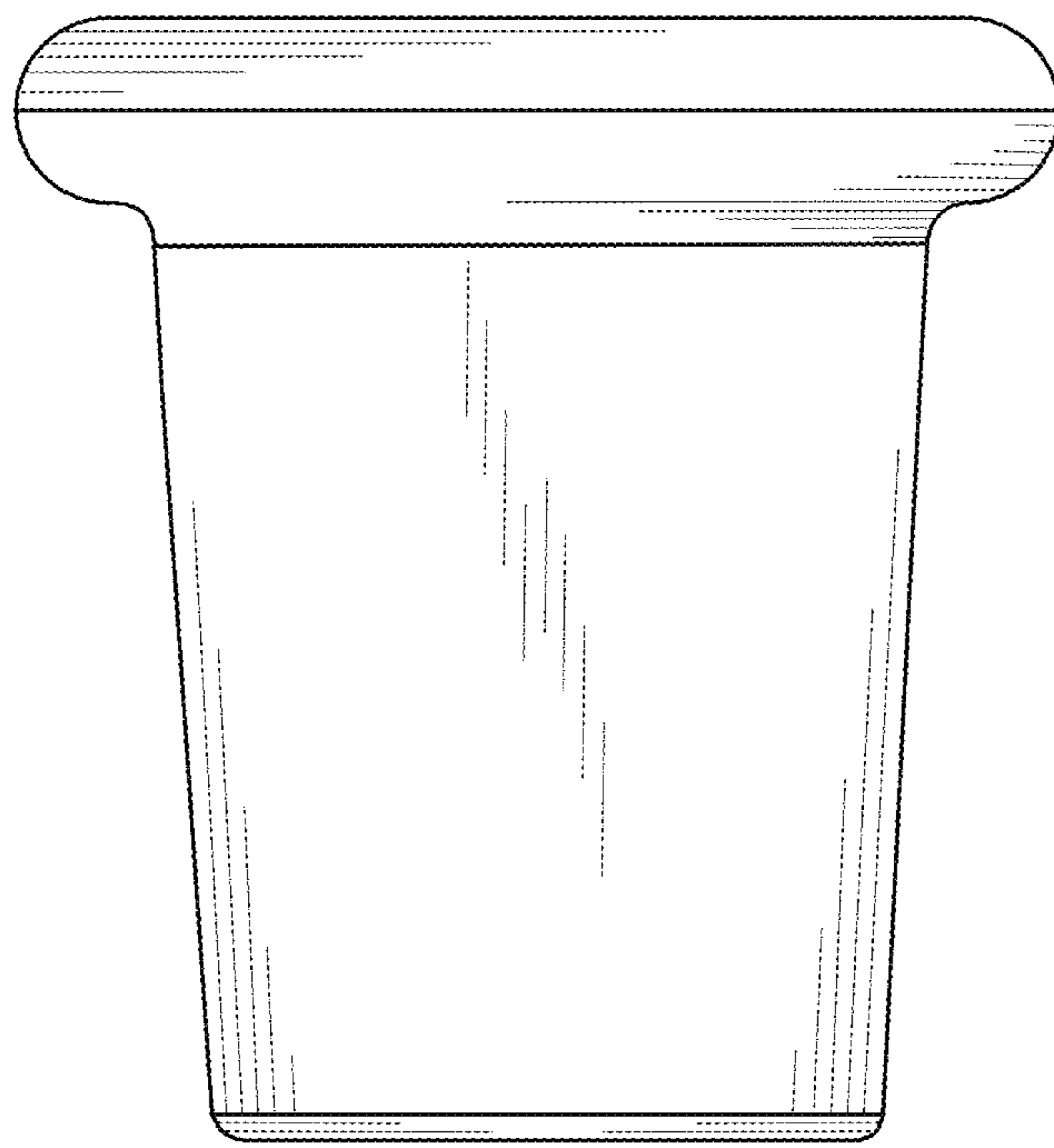


FIG. 5

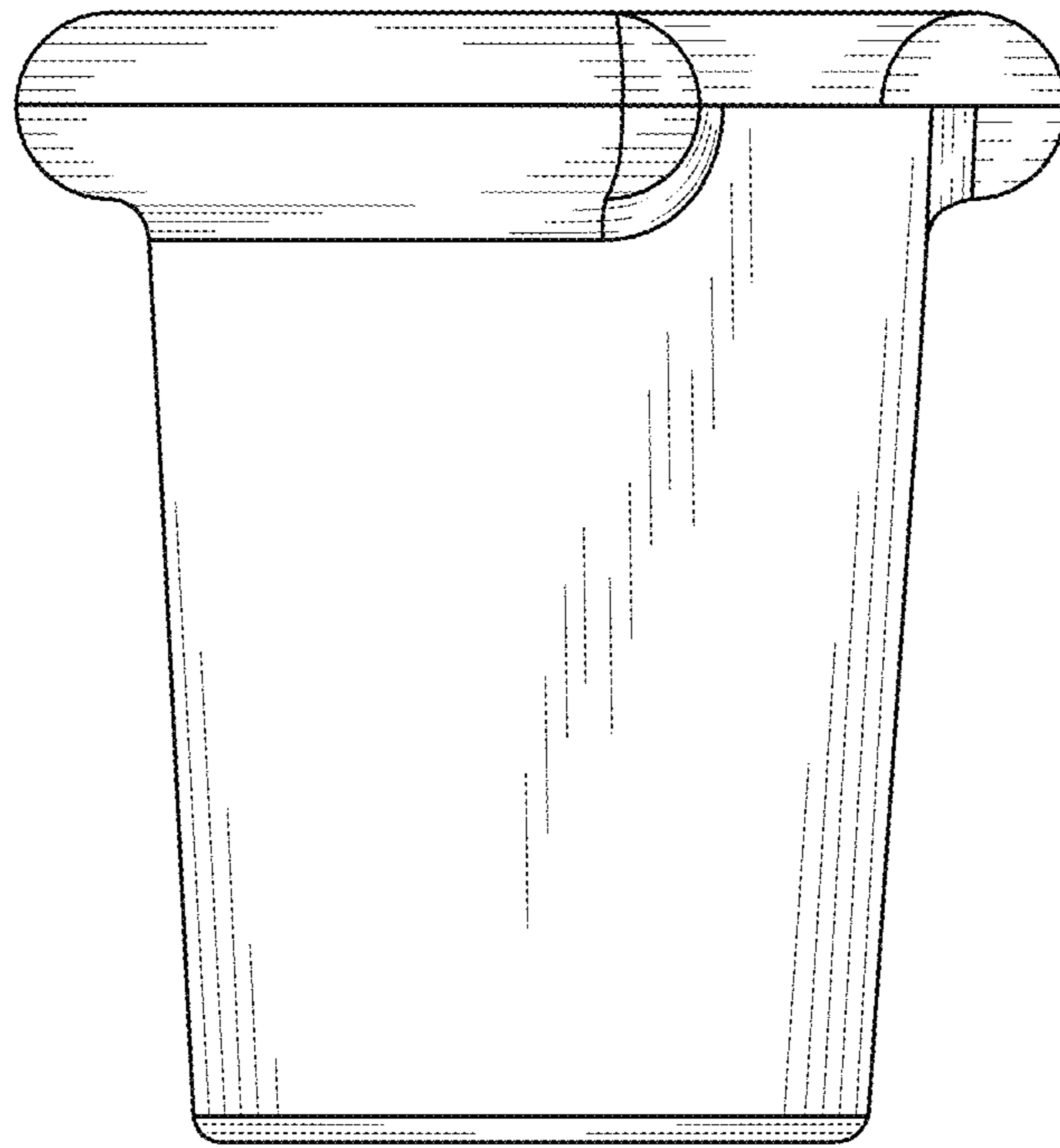


FIG. 6

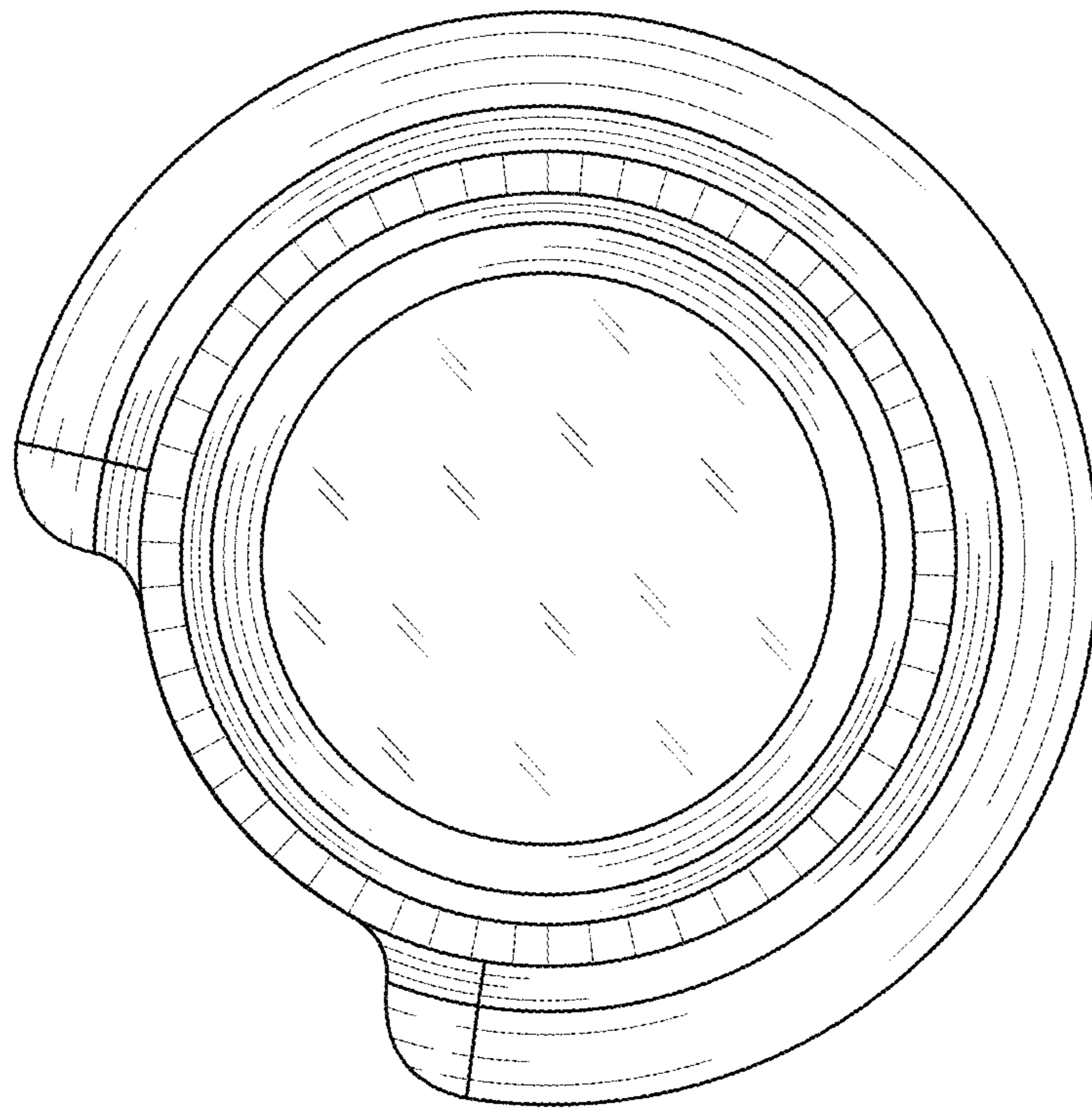


FIG. 7