

US00D847454S

(12) **United States Design Patent**
Mathia

(10) **Patent No.:** **US D847,454 S**

(45) **Date of Patent:** **** Apr. 30, 2019**

(54) **GIFT CRATE BANK**

(71) Applicant: **Ted Mathia**, Stow, OH (US)

(72) Inventor: **Ted Mathia**, Stow, OH (US)

(**) Term: **15 Years**

(21) Appl. No.: **29/633,866**

(22) Filed: **Jan. 16, 2018**

(51) **LOC (11) Cl.** **99-00**

(52) **U.S. Cl.**
USPC **D99/37**

(58) **Field of Classification Search**
USPC D99/28, 34, 35, 36, 37, 43, 99; D9/414, D9/432
CPC ... E05B 65/0075; E05G 5/00; E05G 2700/00; E05G 2700/02; E07D 11/0006; E07D 11/0009; G07D 9/00; G07D 9/002; G07D 9/004; G07D 9/008; G07D 9/06; G07F 17/10; G07F 17/105; G07F 17/12; B65D 5/00; B65D 5/001; B65D 5/0015; B65D 5/18; B65D 5/20; B65D 5/32; B65D 5/321; B65D 19/02; B65D 19/06
See application file for complete search history.

(56) **References Cited**

U.S. PATENT DOCUMENTS

706,231 A * 8/1902 Goldman A45C 1/12 232/1 D
D54,763 S * 3/1920 Nutry D99/37
1,909,214 A * 5/1933 Nagle A45C 1/12 206/0.815
2,020,176 A * 11/1935 Fleischer A45C 1/12 206/0.815

D126,549 S * 4/1941 Barbiers D99/37
2,401,065 A * 5/1946 Gonzalez A45C 1/12 217/56
2,718,726 A * 9/1955 Dunn A45C 1/12 200/61.2
D256,511 S * 8/1980 Atkin D99/35
4,542,848 A * 9/1985 Peters E05C 5/04 109/45
D509,940 S * 9/2005 Quinones D99/37
7,175,071 B1 * 2/2007 Slagle A47G 29/16 220/833
D708,414 S * 7/2014 Chen D99/38
D748,890 S * 2/2016 Castelluccio D99/37
D757,390 S * 5/2016 Castelluccio D99/37
D770,722 S * 11/2016 Mohberg D99/35

* cited by examiner

Primary Examiner — Elizabeth J Oswecki
(74) *Attorney, Agent, or Firm* — John D. Gugliotta

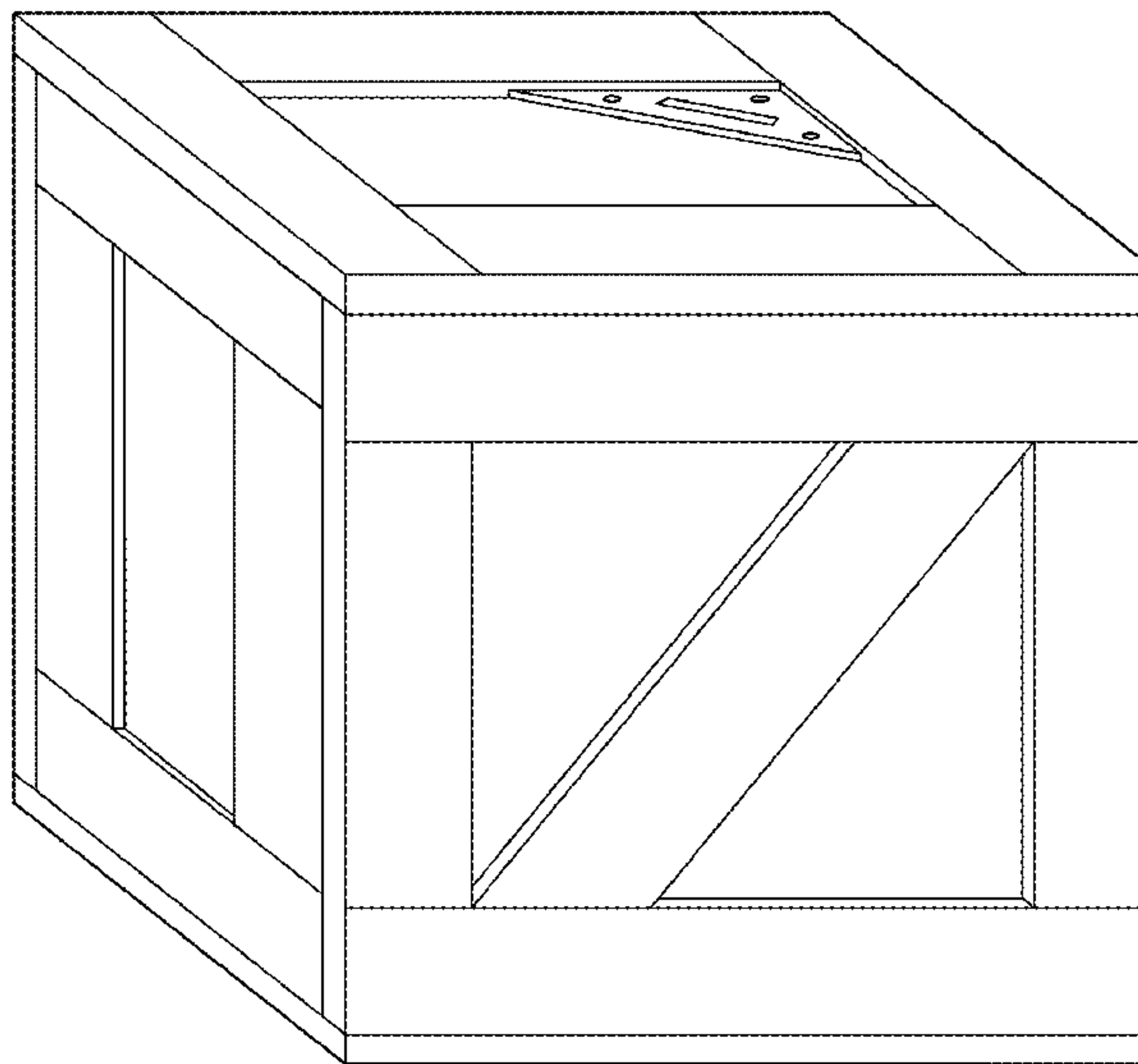
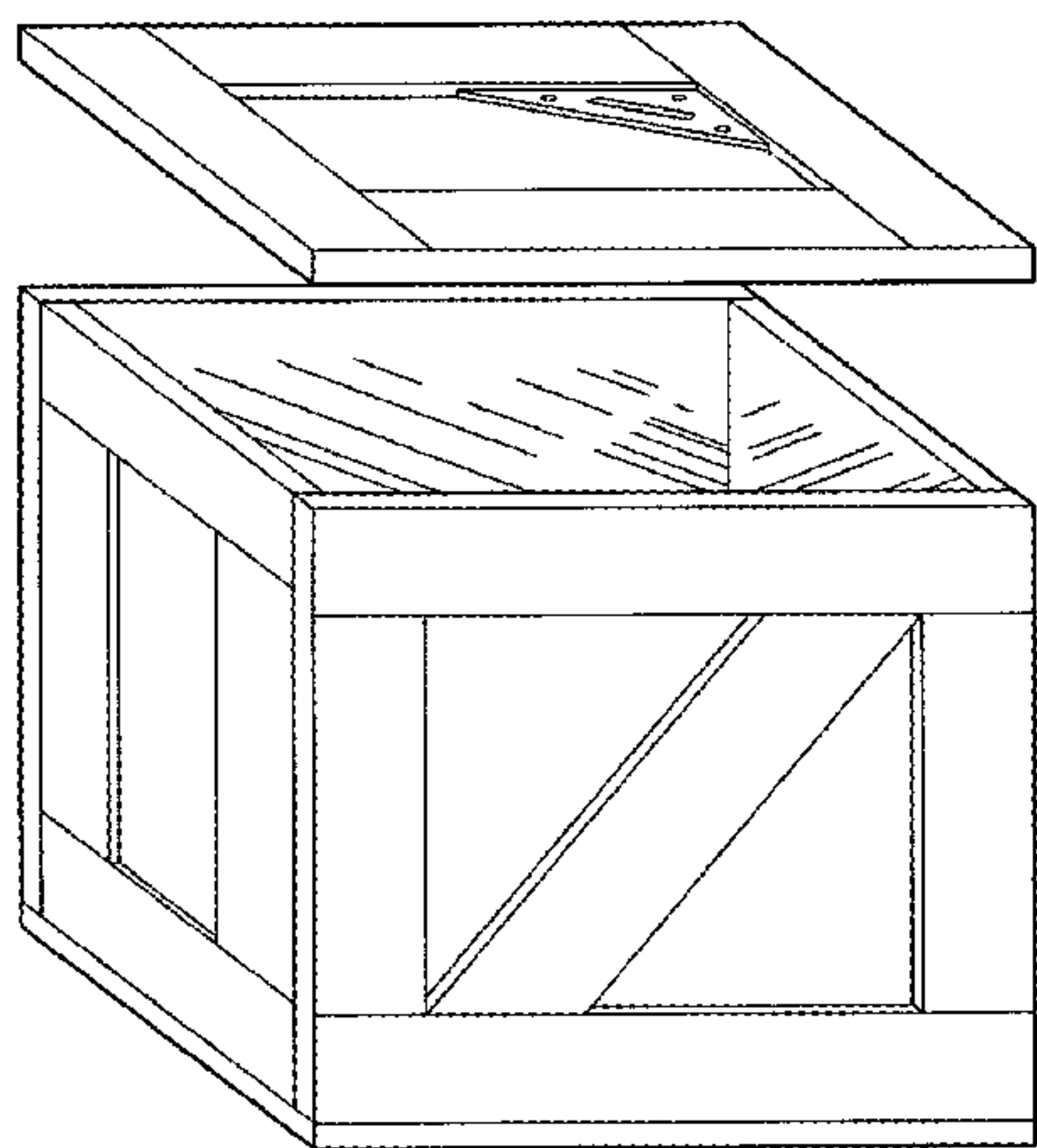
(57) **CLAIM**

The ornamental design for a gift crate bank, as shown and described.

DESCRIPTION

FIG. 1 is an exploded front perspective view of a gift crate bank showing my new design;
FIG. 2 is a front perspective view thereof;
FIG. 3 is a front elevational view thereof;
FIG. 4 is a rear elevational view thereof;
FIG. 5 is a left side elevational view thereof;
FIG. 6 is a right side elevational view thereof;
FIG. 7 is a top plan view thereof; and,
FIG. 8 is a bottom plan view thereof.

1 Claim, 8 Drawing Sheets



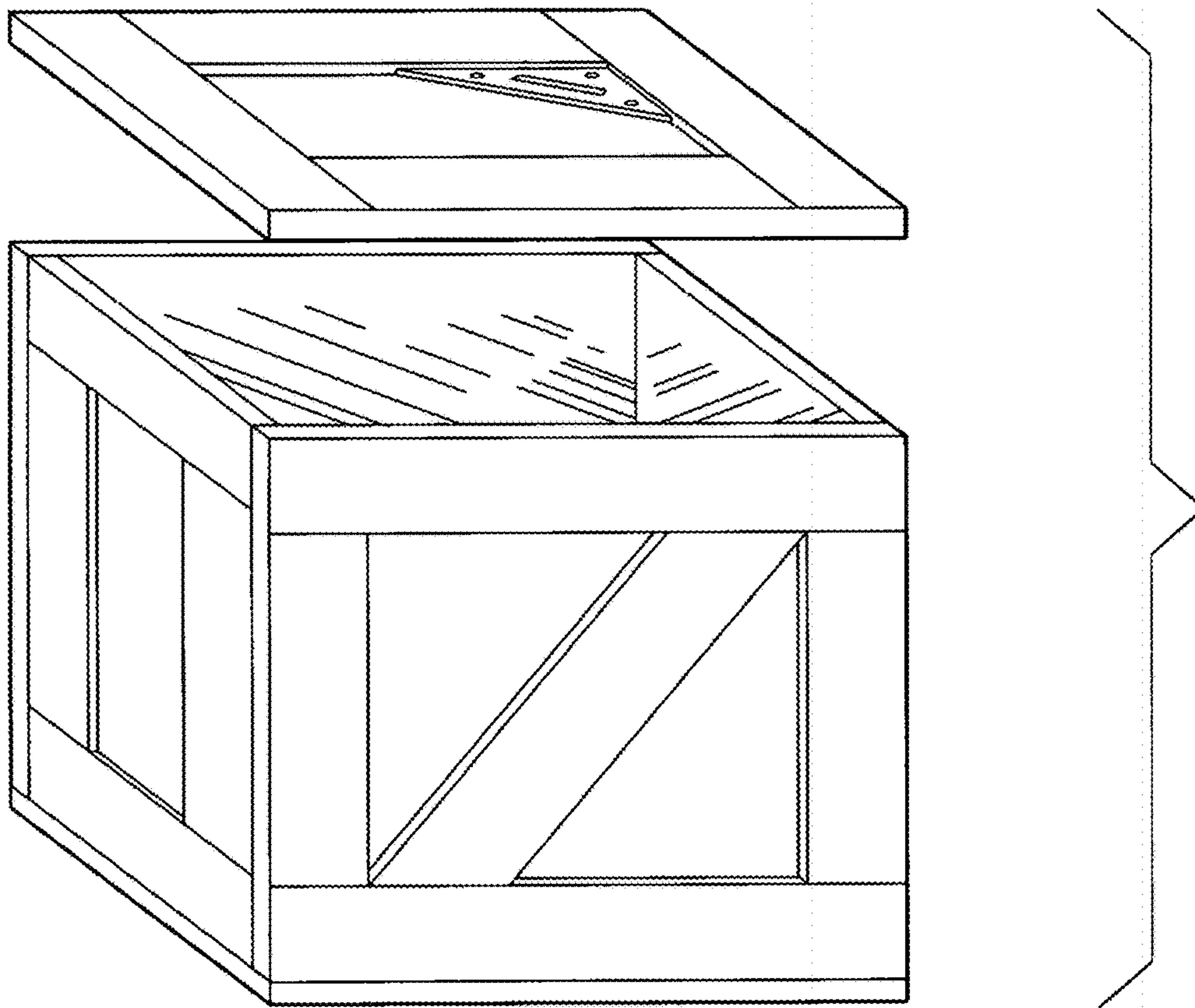


FIG. 1

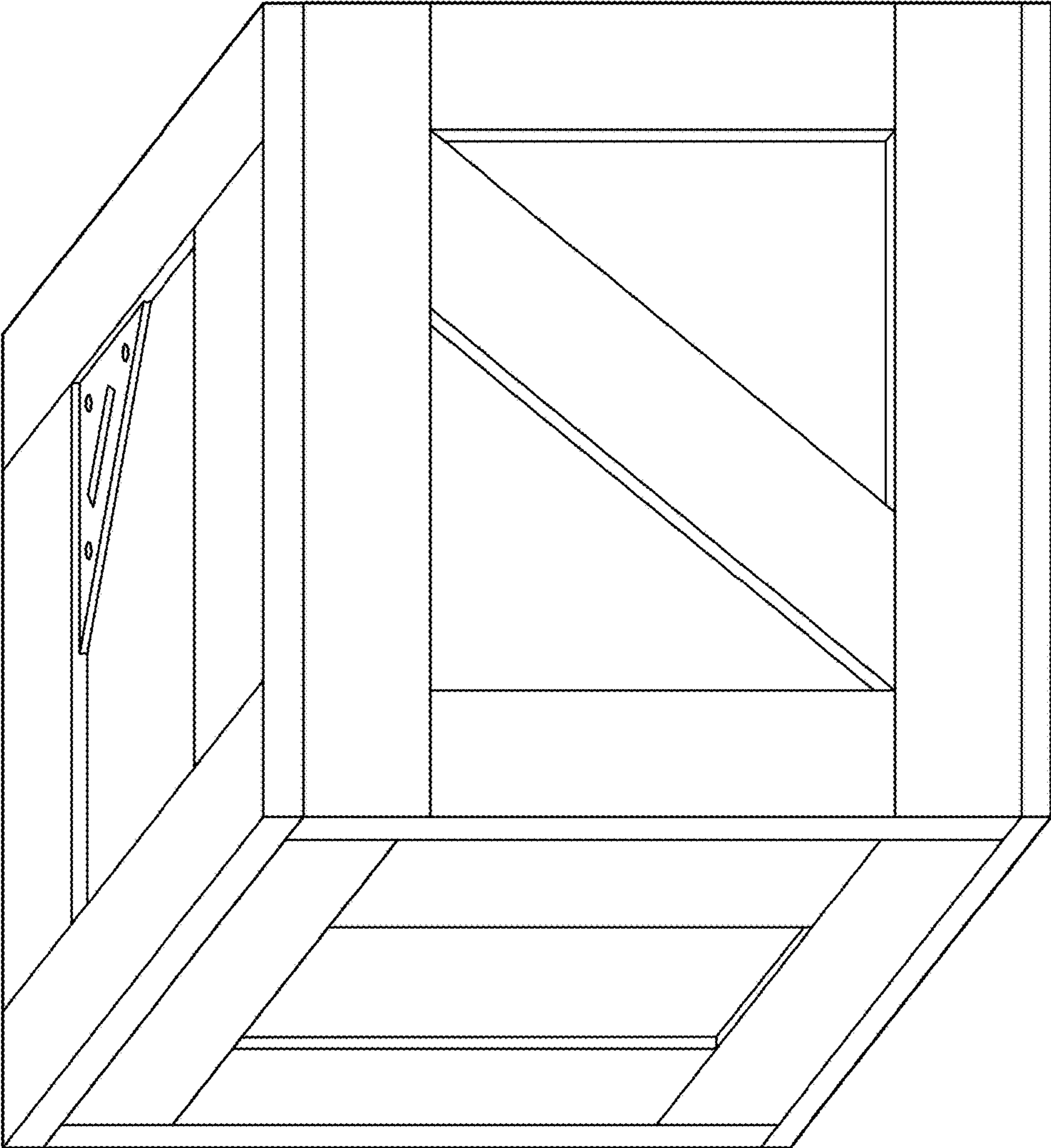


FIG. 2

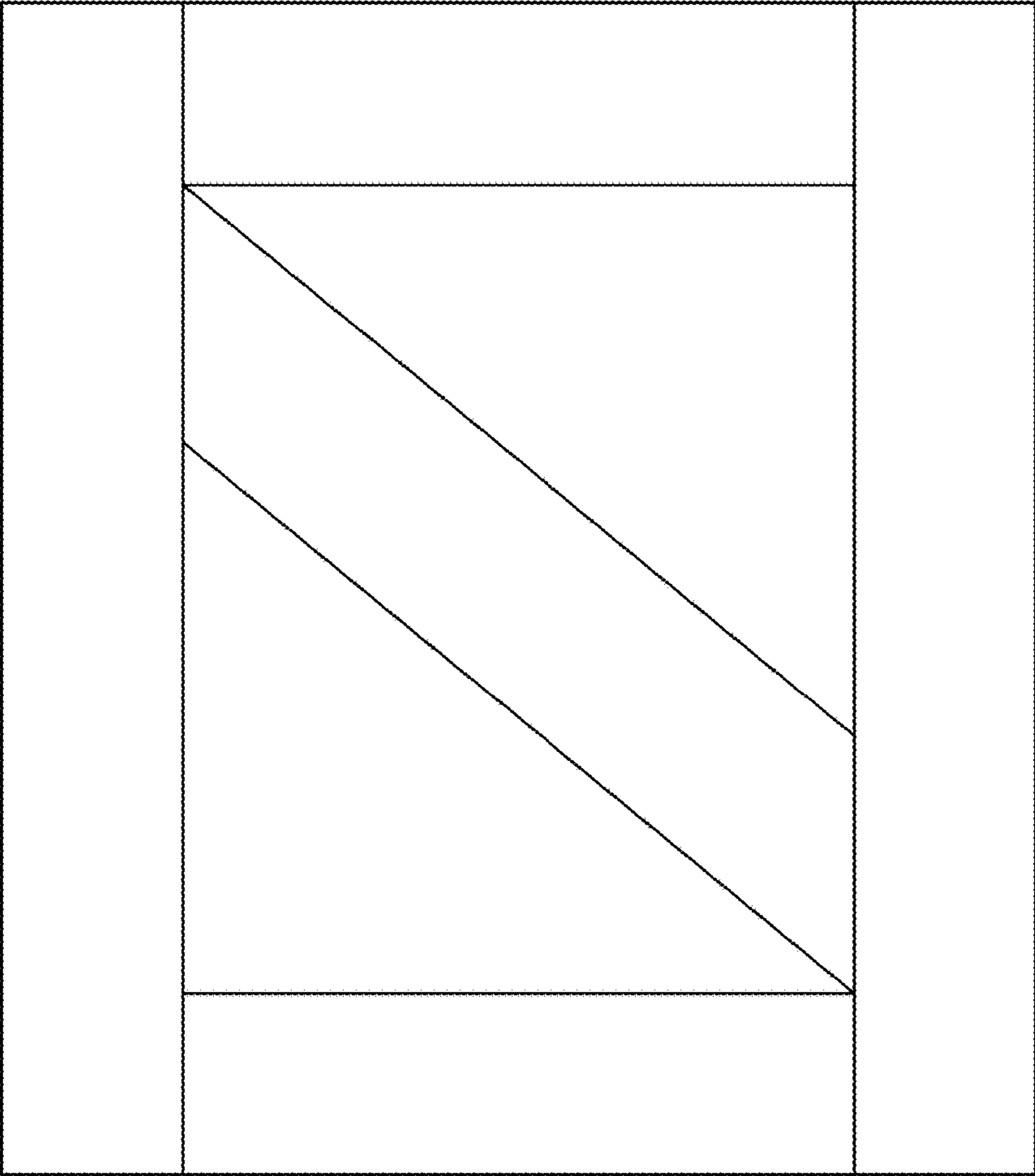


FIG. 3

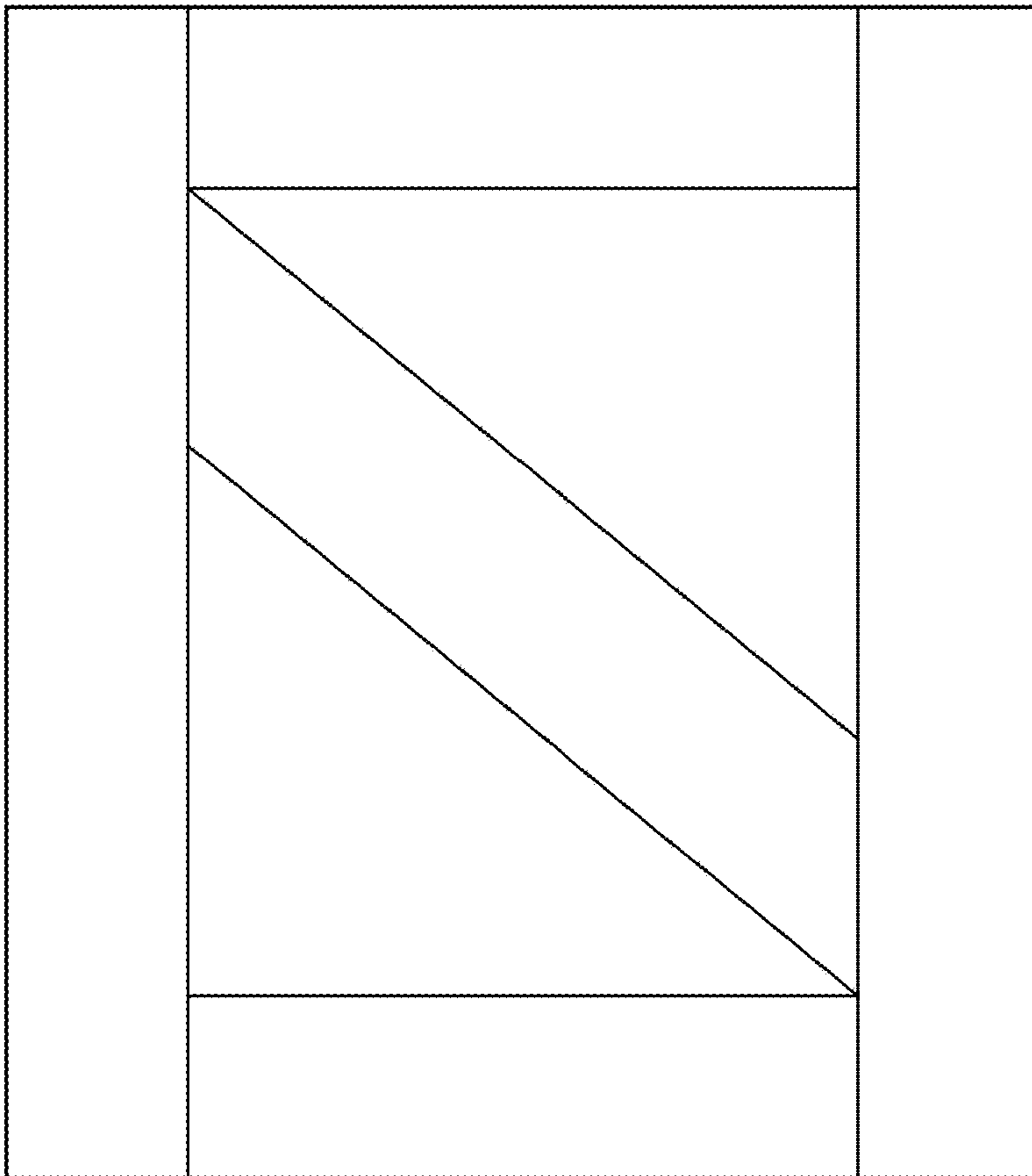


FIG. 4

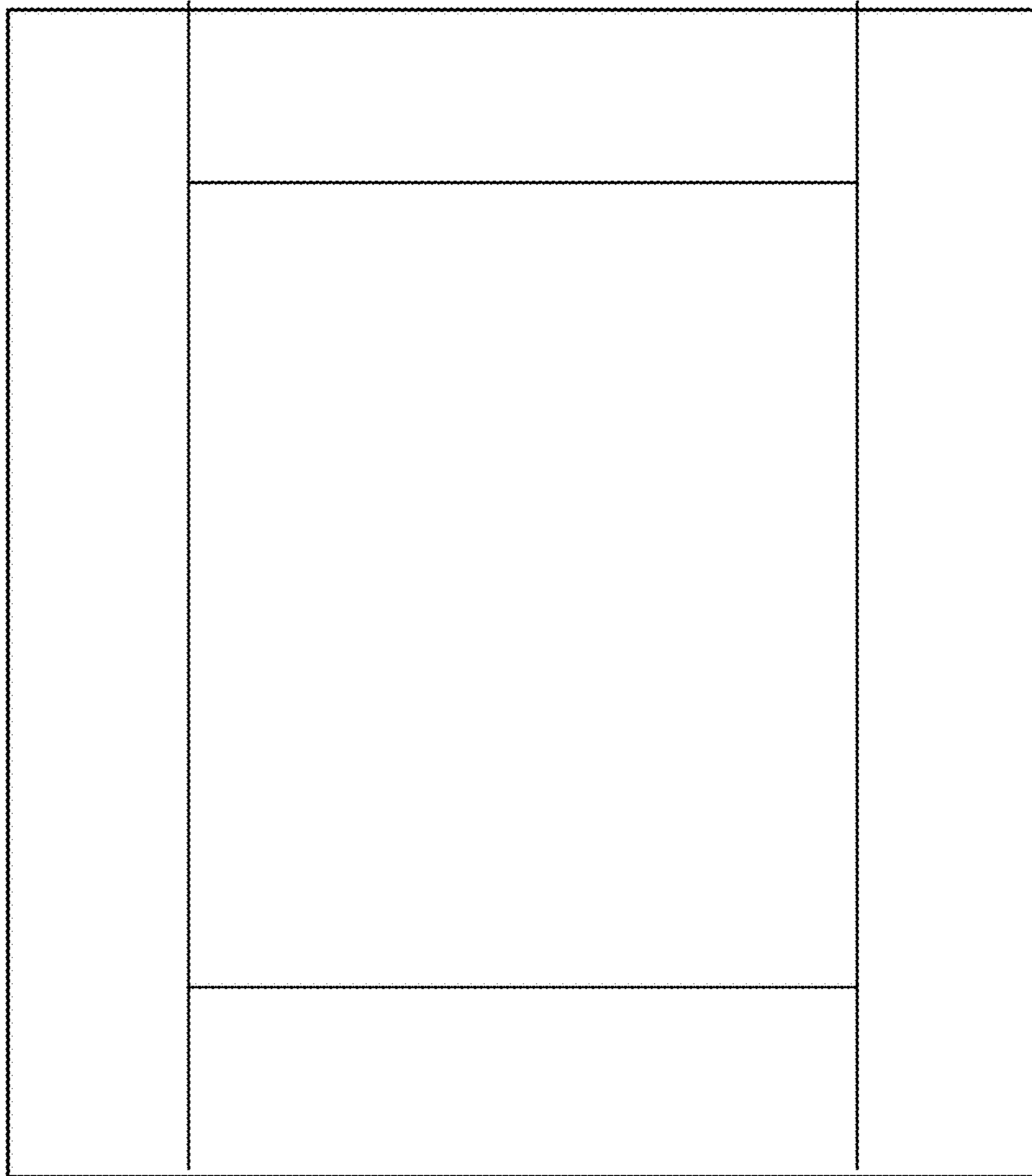


FIG. 5

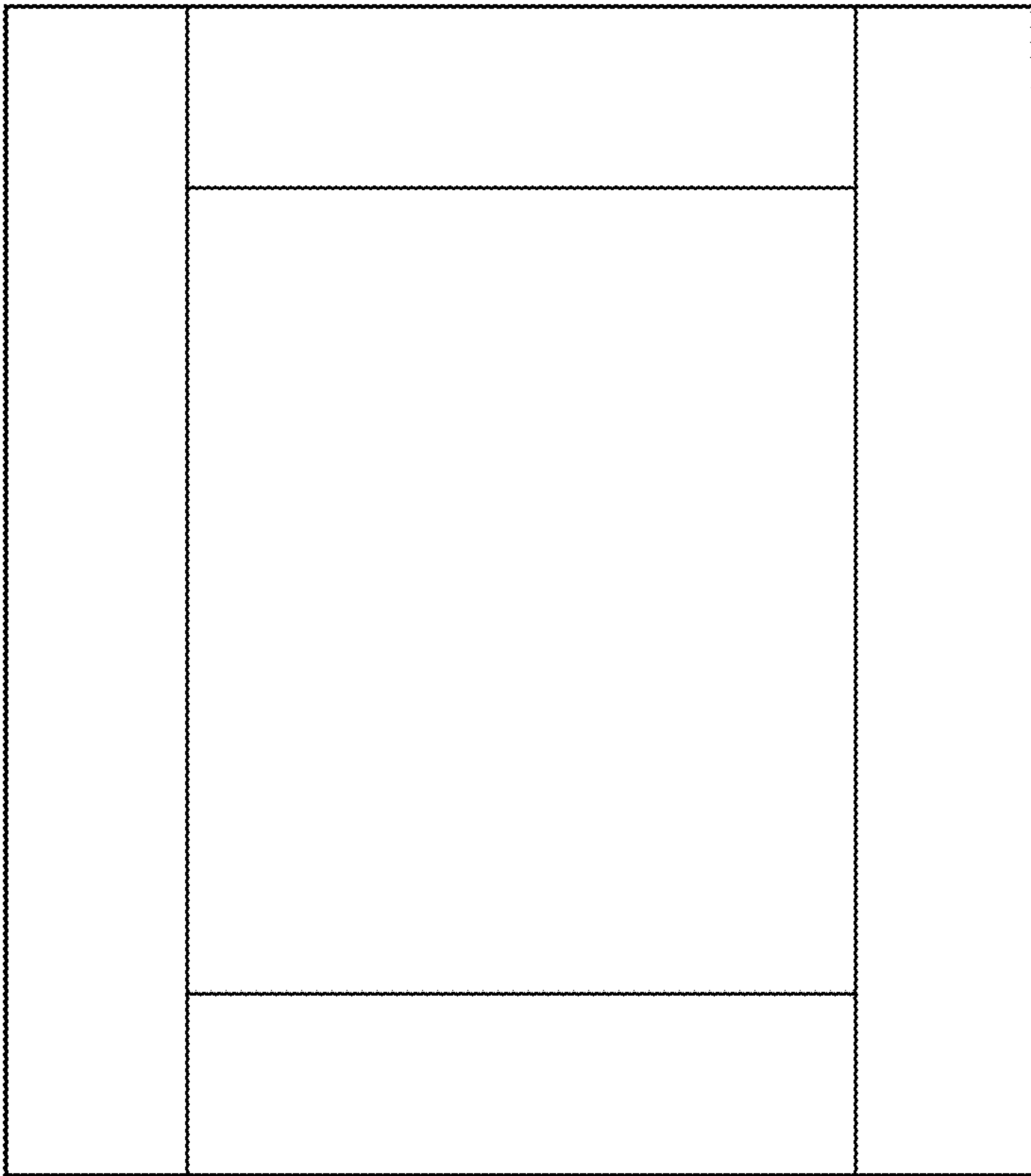


FIG. 6

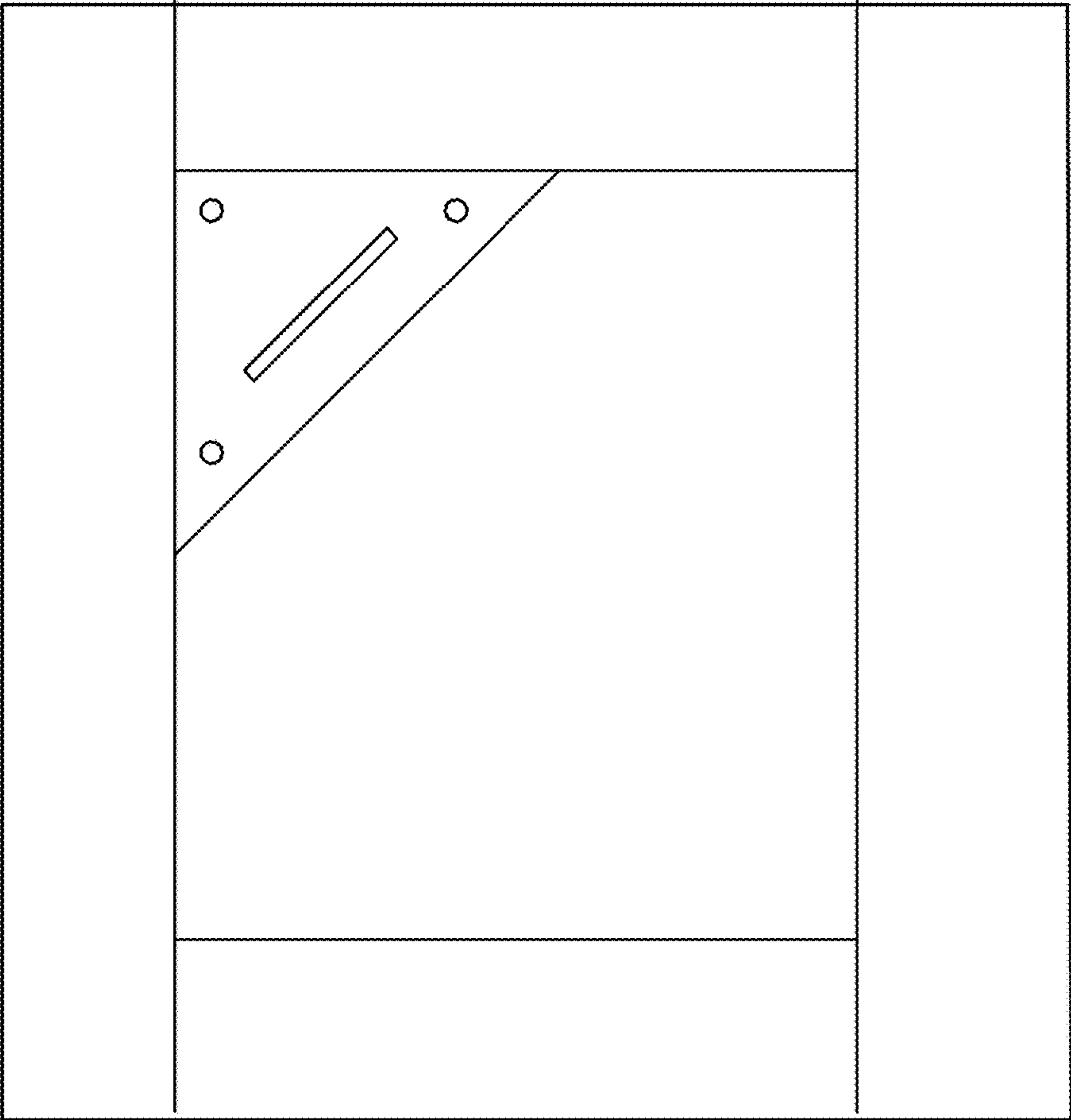


FIG. 7



FIG. 8