



US00D847452S

(12) **United States Design Patent** (10) **Patent No.:** **US D847,452 S**
Angelopoulos et al. (45) **Date of Patent:** **** Apr. 30, 2019**

(54) **LITE TERMINAL**

(71) Applicant: **Intralot S.A.—Integrated Lottery Systems and Services, Athens (GR)**

(72) Inventors: **Nikolaos Angelopoulos, Athens (GR); Georgios Dimitrakopoulos, Athens (GR)**

(73) Assignee: **Intralot S.A.—Integrated Lottery Systems and Services, Athens (GR)**

(**) Term: **15 Years**

(21) Appl. No.: **29/625,813**

(22) Filed: **Nov. 13, 2017**

(51) **LOC (11) Cl.** **99-00**

(52) **U.S. Cl.**
USPC **D99/28**

(58) **Field of Classification Search**
USPC D99/28, 34, 35, 36, 43, 99;
D14/300–302, 305, 307, 900–902;
D18/3.1–3.3, 4.1–4.6, 12.1–12.3;
D21/324, 325, 329, 369, 370; 101/66;
109/1 R, 1 V, 2, 23, 24.1, 25, 58, 58.5,
109/66; 446/8–13; 705/16, 17, 18, 42,
705/43, 44, 45; 235/51, 379, 380, 381,
235/382, 382.5, 386; 206/0.8, 0.81,
206/0.815, 0.82, 0.84
CPC .. G06Q 20/10; G06Q 20/108; G06Q 20/1085;
G06Q 20/18; G07D 1/00; G07D 1/02;
G07D 1/04; G07D 1/06; G07D 11/00;
G07D 9/002; G07D 9/04; G07F 19/20;
G07F 19/201; G07F 19/202; G07F
19/203; G07F 19/204; G07F 19/105;
G07F 19/21; G07F 19/00; G07F 7/04;

G07F 5/00; G07F 1/00; E05G 7/001;
E05G 1/006; A63H 33/00; A63H 33/005
See application file for complete search history.

(56) **References Cited**

U.S. PATENT DOCUMENTS

D388,229 S * 12/1997 Couch D18/4.6
D481,515 S * 10/2003 Magee D18/3.1
D505,765 S * 5/2005 Swaine D99/28
D558,425 S * 12/2007 Dias D99/28
D596,374 S * 7/2009 Kang D99/28
D625,305 S * 10/2010 Bleck D14/307
D629,585 S * 12/2010 Bleck D14/307
7,926,712 B2 * 4/2011 Schlabach G06Q 10/06
235/379
7,959,072 B1 * 6/2011 Jenkins G06Q 20/1085
235/379
D645,223 S * 9/2011 Bleck D14/307
D682,504 S * 5/2013 Lee D14/900

(Continued)

Primary Examiner — Elizabeth J Oswecki
(74) *Attorney, Agent, or Firm* — Greenberg Traurig, LLP

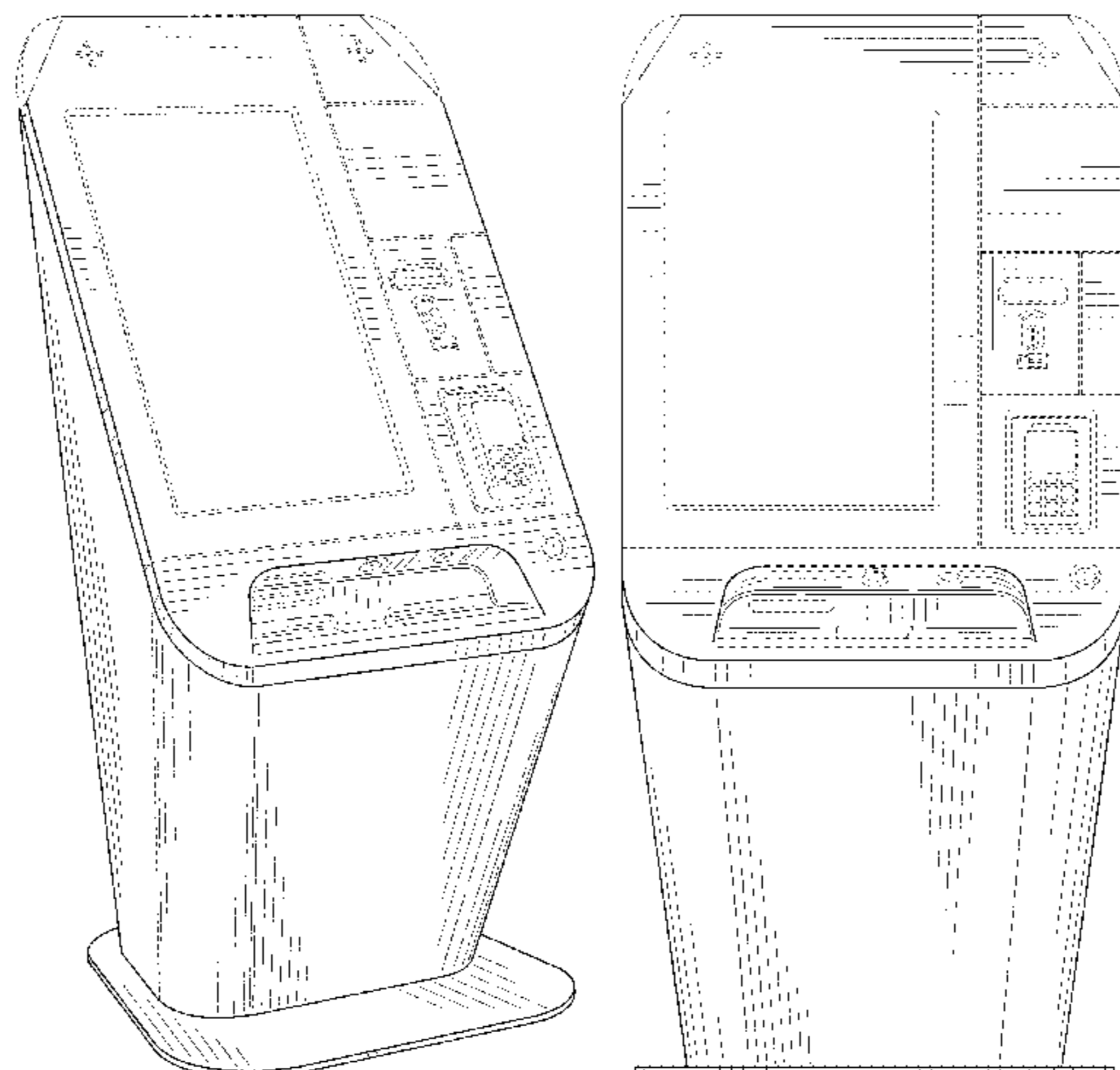
(57) **CLAIM**

The ornamental design for a lite terminal, as shown and described.

DESCRIPTION

FIG. 1 is a front perspective view of a lite terminal showing our new design;
FIG. 2 is a front elevation view of the lite terminal shown in FIG. 1;
FIG. 3 is a rear elevation view of the lite terminal shown in FIG. 1;
FIG. 4 is a left side elevation view of the lite terminal shown in FIG. 1;
FIG. 5 is a right side elevation view of the lite terminal shown in FIG. 1;
FIG. 6 is a top plan view of the lite terminal shown in FIG. 1; and,
FIG. 7 is a bottom plan view of the lite terminal shown in FIG. 1.

(Continued)



The broken lines are included to show features that form no part of the claimed design.

1 Claim, 6 Drawing Sheets

(56)

References Cited

U.S. PATENT DOCUMENTS

D707,013	S	*	6/2014	Perez Pina	D99/28
D707,014	S	*	6/2014	Perez Pina	D99/28
D713,115	S	*	9/2014	Perez Pina	D99/28
D724,290	S	*	3/2015	Cha	D99/28
D724,812	S	*	3/2015	Cha	D99/28
D769,570	S	*	10/2016	Kraft	D99/28
D787,774	S	*	5/2017	Shin	D99/28
D792,049	S	*	7/2017	Oh	D99/28
D806,978	S	*	1/2018	Gerlach	D99/28
D806,979	S	*	1/2018	Gerlach	D99/28
D825,133	S	*	8/2018	Park	D99/28
D825,134	S	*	8/2018	Birnie	D99/28
D826,514	S	*	8/2018	Park	D99/28

* cited by examiner

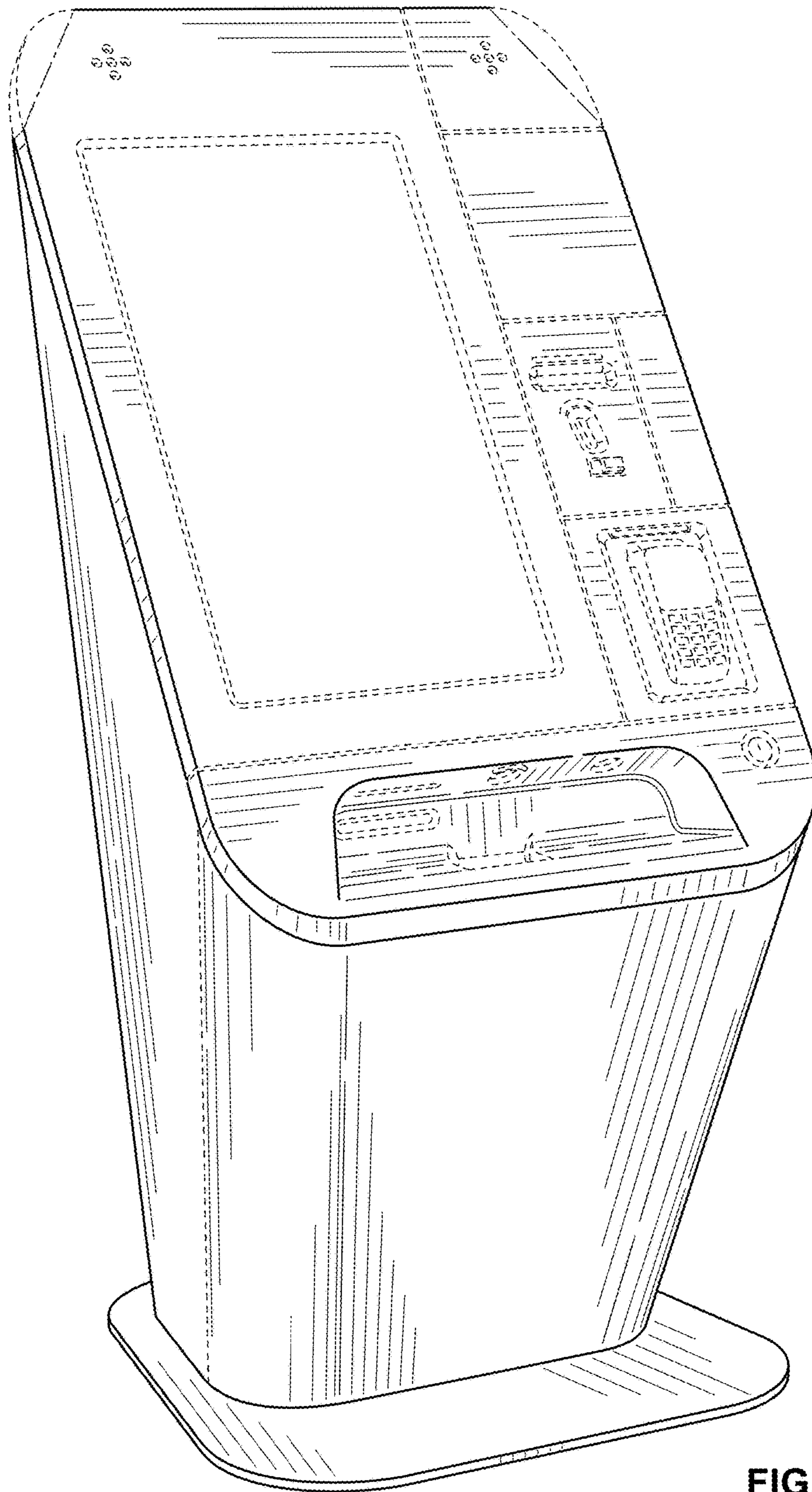


FIG. 1

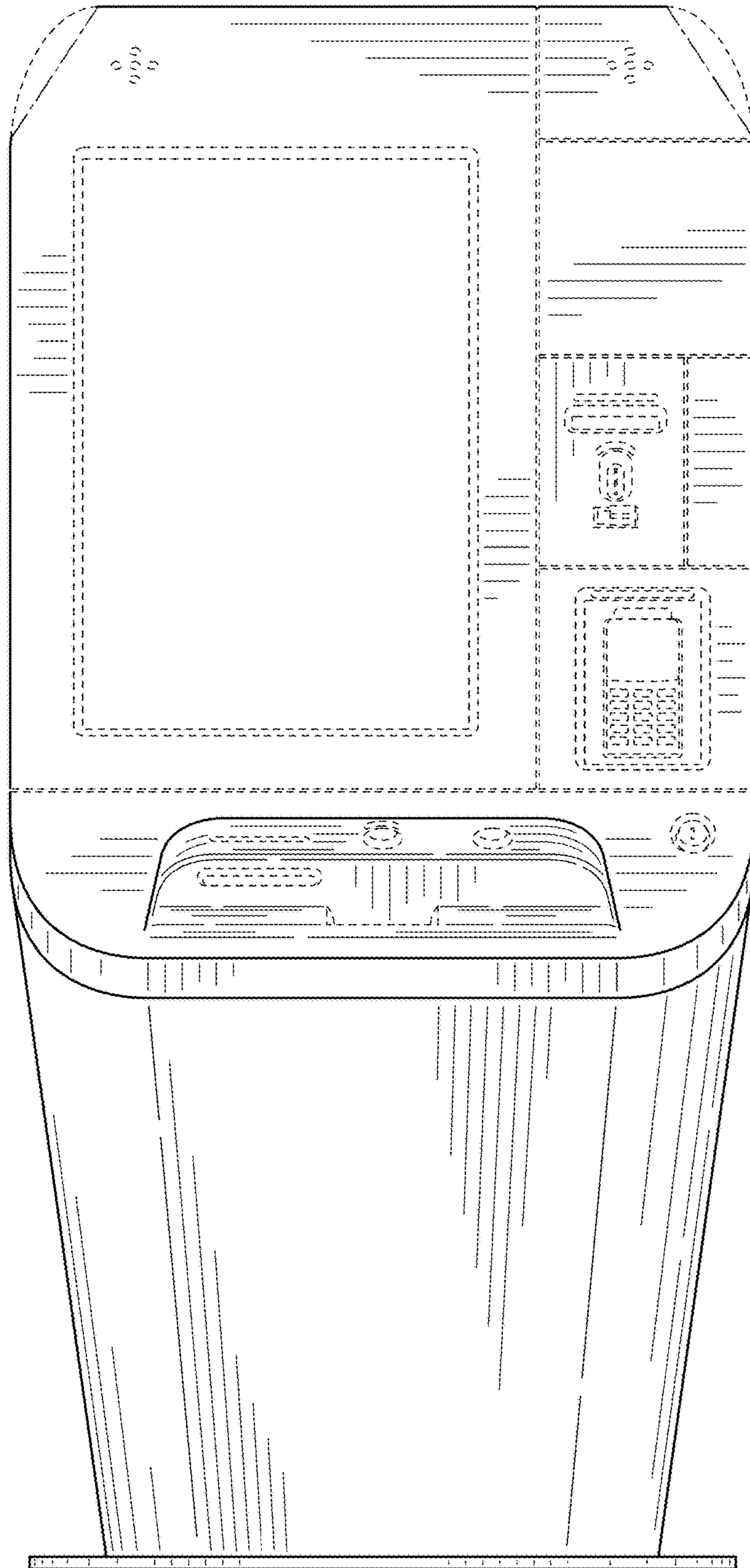


FIG. 2

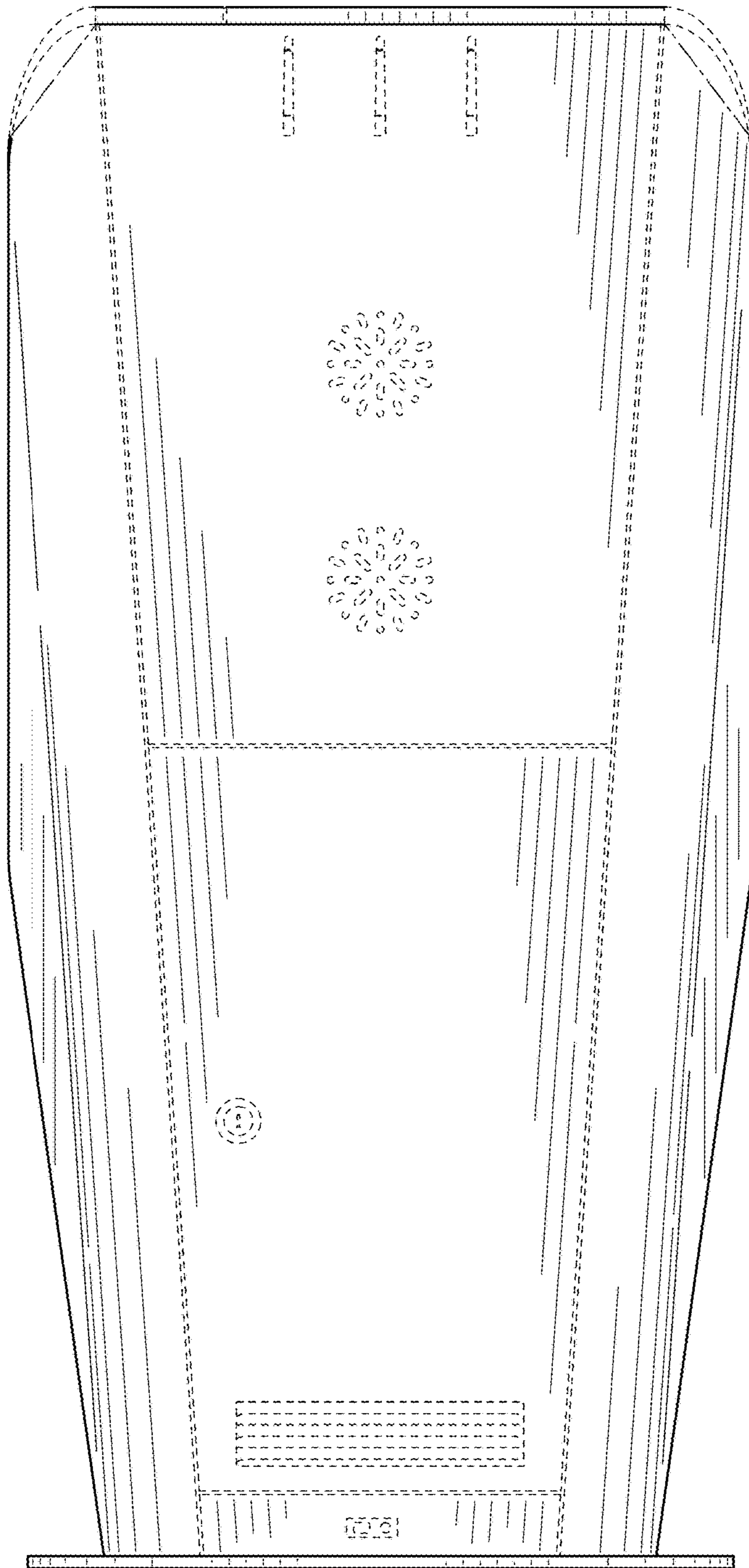


FIG. 3

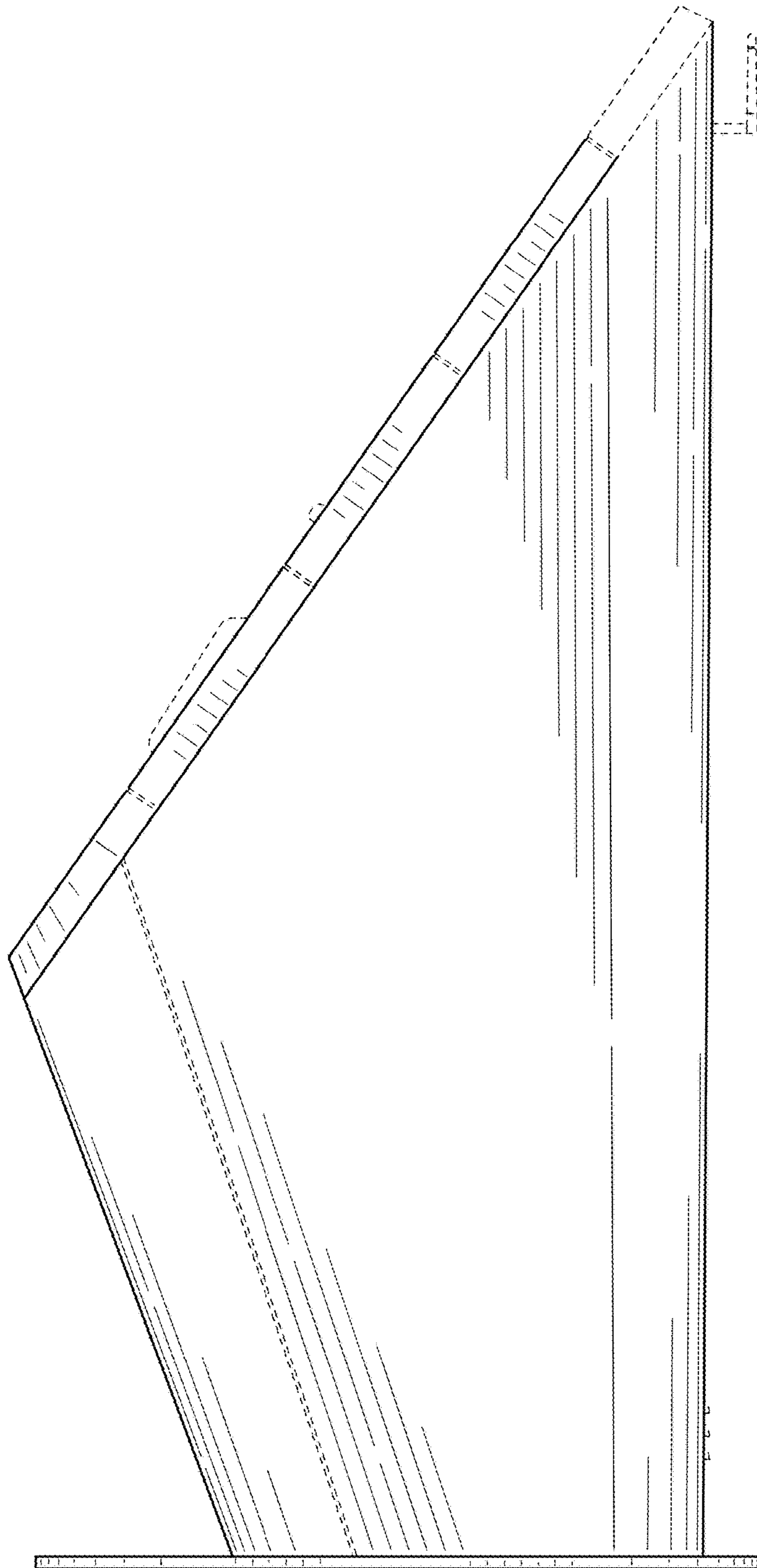


FIG. 4

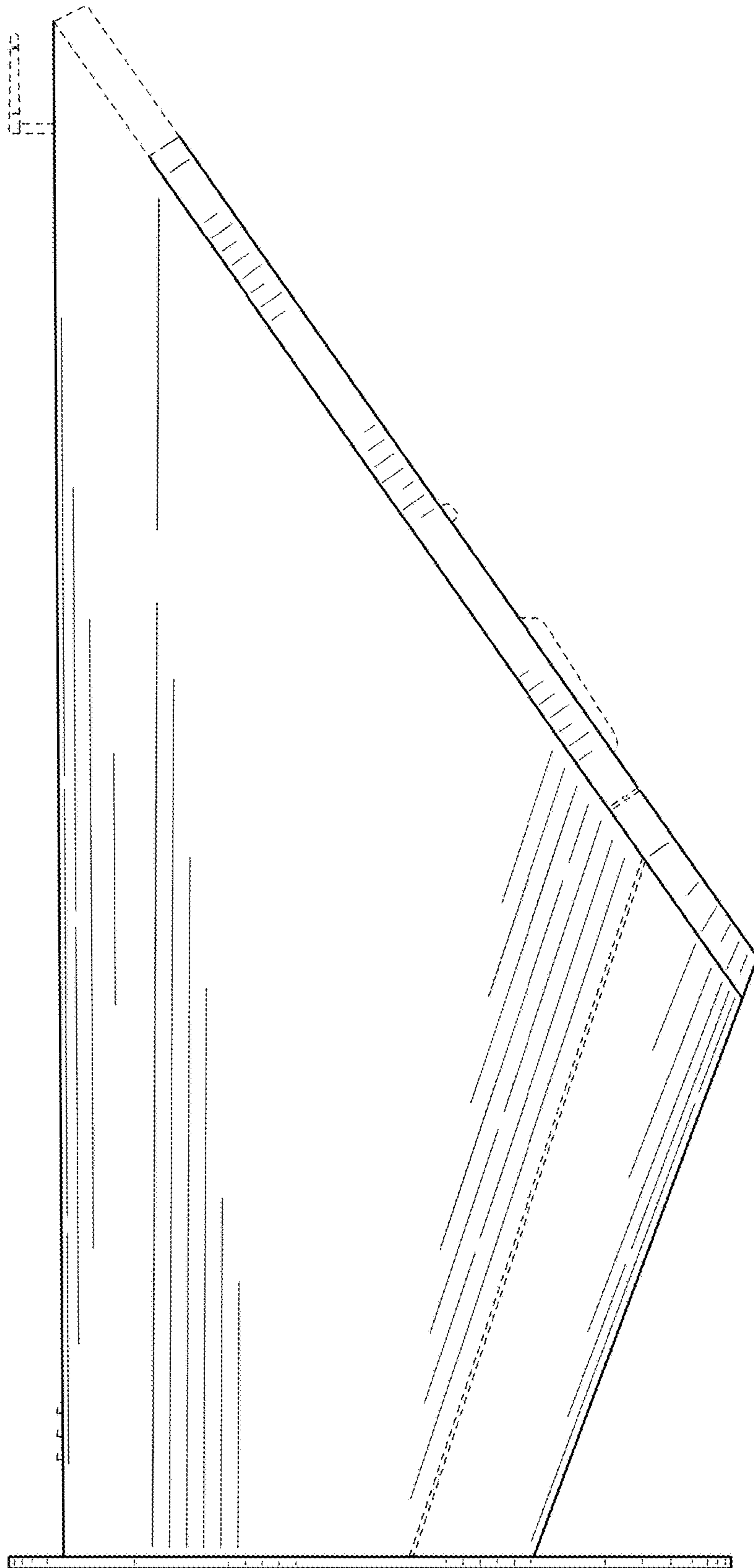


FIG. 5

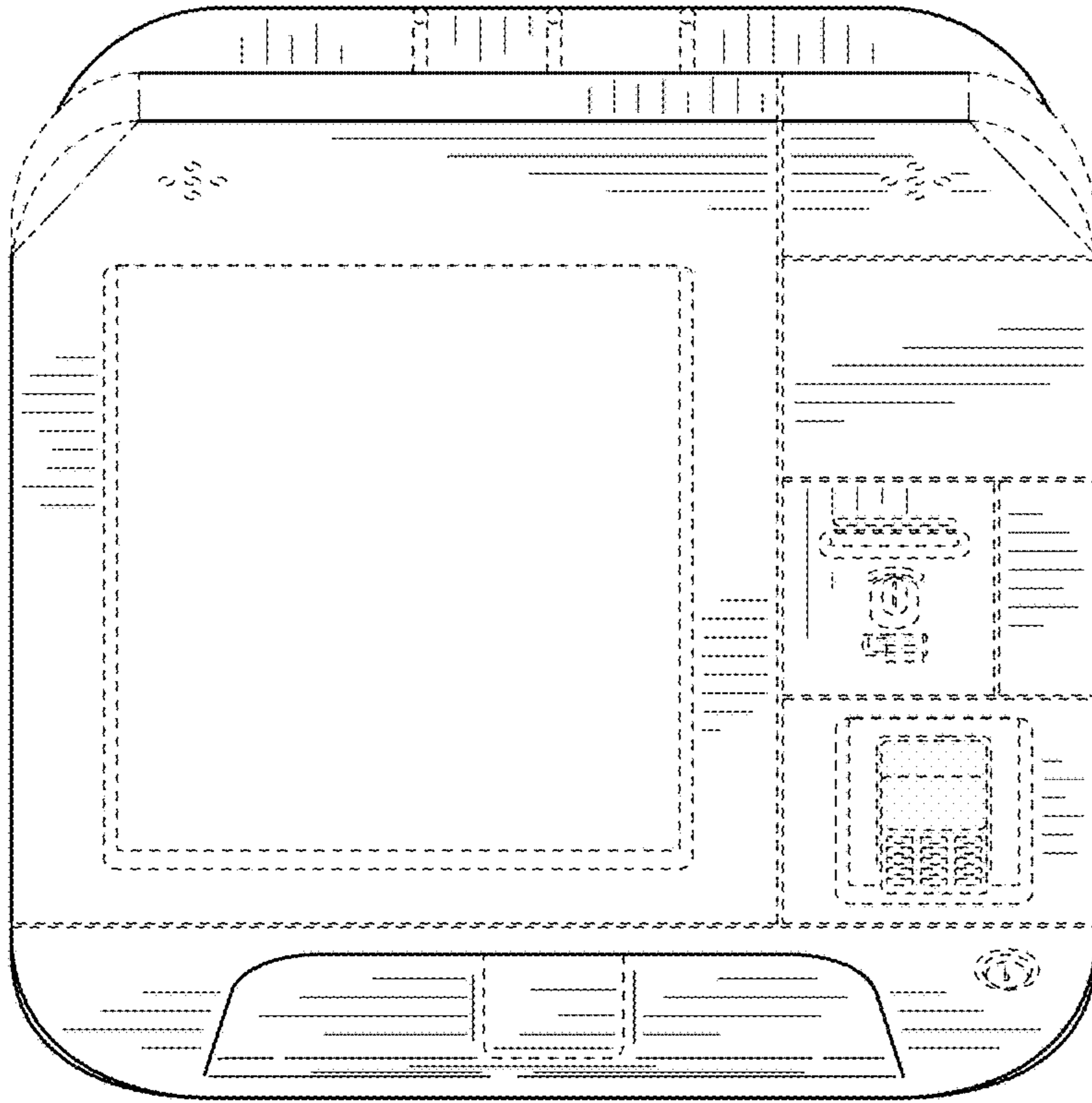


FIG. 6

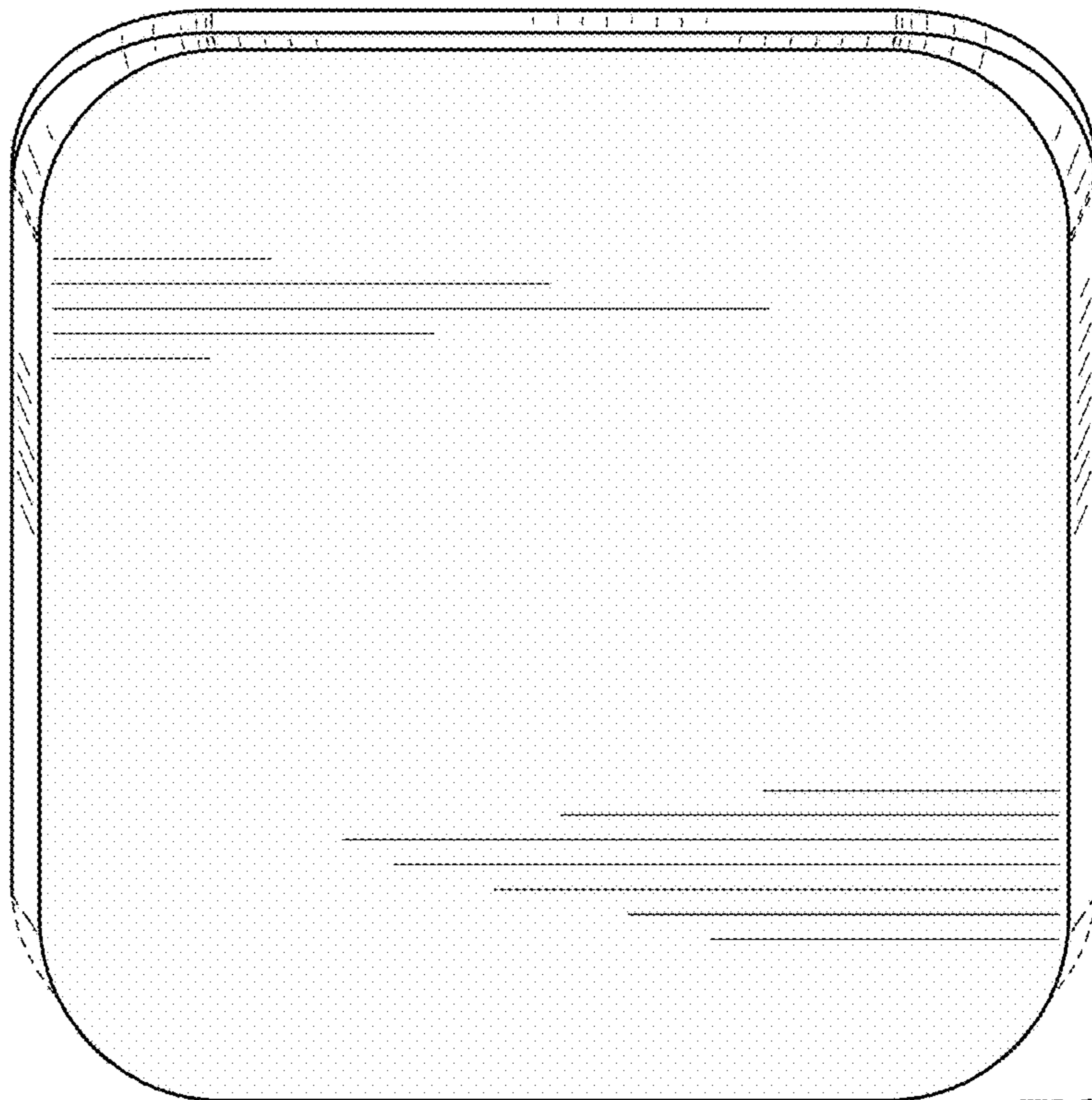


FIG. 7