



US00D847451S

(12) **United States Design Patent** (10) **Patent No.:** **US D847,451 S**
Frazier (45) **Date of Patent:** **** Apr. 30, 2019**

(54) **PLATFORM FOR STACKING A PALLET ON TOP OF A BULK BIN OR OPEN ENDED BOX**

(71) Applicant: **Stay-Rite Solutions LLC**, Cartersville, GA (US)

(72) Inventor: **Clayton Anthony Frazier**, Rydal, GA (US)

(73) Assignee: **STAY-RITE SOLUTIONS LLC**, Rydal, GA (US)

(**) Term: **15 Years**

(21) Appl. No.: **29/622,716**

(22) Filed: **Oct. 19, 2017**

Related U.S. Application Data

(62) Division of application No. 29/564,089, filed on May 10, 2016, now Pat. No. Des. 813,489.

(51) **LOC (11) Cl.** **09-08**

(52) **U.S. Cl.**
USPC **D34/38; D34/35**

(58) **Field of Classification Search**
USPC **D34/35, 38**

(Continued)

(56) **References Cited**

U.S. PATENT DOCUMENTS

2,203,625 A 6/1940 Friedel
2,738,564 A 3/1956 Guinane

(Continued)

FOREIGN PATENT DOCUMENTS

DE 202007011002 12/2007
EP 0034464 8/1981

(Continued)

OTHER PUBLICATIONS

“Corner Clips Improve Corrugated-Box Handling,” Metal Forming Magazine, metalforming magazine.com, 2008, <http://www.metalformingmagazine.com/magazine/article.asp?aid=4943>, 2 pages.

(Continued)

Primary Examiner — Cynthia Ramirez

(74) *Attorney, Agent, or Firm* — Klintworth & Rozenblat IP LLP

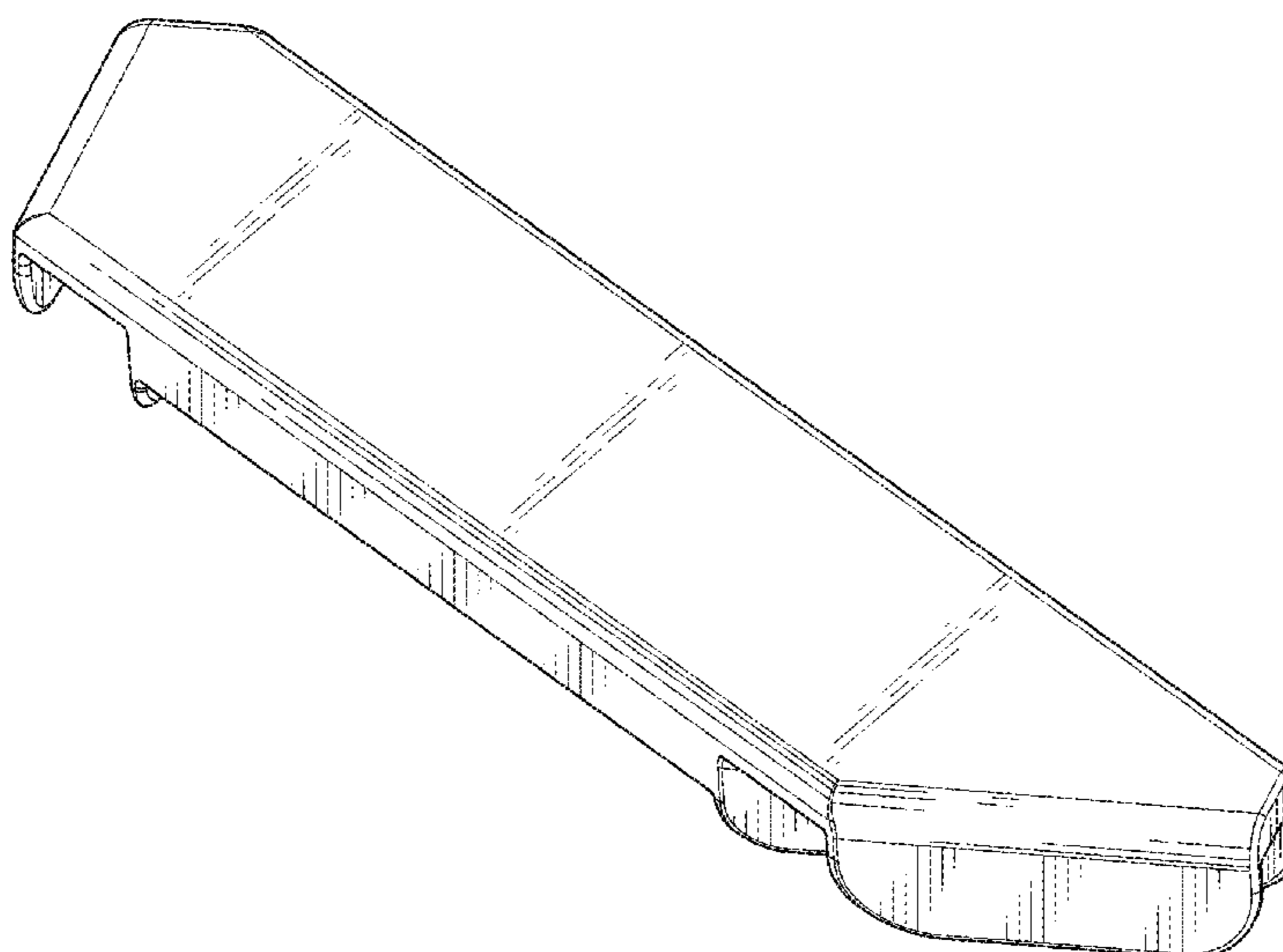
(57) **CLAIM**

The ornamental design for a platform for stacking a pallet on top of a bulk bin or open ended box, as shown and described.

DESCRIPTION

FIG. 1 is a top perspective view of a platform for stacking a pallet on top of a bulk bin or open ended box; FIG. 2 is a front elevation view of the platform for stacking a pallet on top of a bulk bin or open ended box; FIG. 3 is a rear elevation view of the platform for stacking a pallet on top of a bulk bin or open ended box; FIG. 4 is a right side elevation view of the platform for stacking a pallet on top of a bulk bin or open ended box; FIG. 5 is a left side elevation view of the platform for stacking a pallet on top of a bulk bin or open ended box; FIG. 6 is a top plan view of the platform for stacking a pallet on top of a bulk bin or open ended box; FIG. 7 is a bottom plan view of the platform for stacking a pallet on top of a bulk bin or open ended box; FIG. 8 is a bottom perspective view of the platform for stacking a pallet on top of a bulk bin or open ended box; FIG. 9 is an alternate bottom plan view of the platform for stacking a pallet on top of a bulk bin or open ended box; and, FIG. 10 is a bottom perspective view of the platform for stacking a pallet on top of a bulk bin or open ended box of FIG. 9.

1 Claim, 5 Drawing Sheets



- (58) **Field of Classification Search**
 CPC B65D 21/0224; B65D 19/0004; B65D
 19/44; D65D 2519/00965
 See application file for complete search history.

(56) **References Cited**
 U.S. PATENT DOCUMENTS

3,480,178	A	11/1969	Morgan
3,651,977	A	3/1972	Morgan
3,760,465	A	9/1973	Brennan
D238,862	S	2/1976	Hewson
3,944,073	A	3/1976	Downing
4,089,417	A	5/1978	Osborne
4,126,265	A	11/1978	Holmes
4,210,274	A	7/1980	Leonard
4,449,662	A	5/1984	Okamura et al.
4,509,433	A	4/1985	Farr
4,619,365	A	10/1986	Kelly et al.
4,779,751	A	10/1988	Munroe
4,787,553	A	11/1988	Hoskins
4,807,756	A	2/1989	Young et al.
5,037,027	A	8/1991	Nichols
D322,705	S	12/1991	Rasmussen
5,178,275	A	1/1993	Fitzgerald et al.
5,295,632	A	3/1994	Zink et al.
D347,509	S	5/1994	Junaedi
5,337,950	A	8/1994	Bower
5,431,336	A	7/1995	Clee
5,531,326	A	7/1996	Hummel et al.
5,732,434	A	3/1998	McCarty
6,305,599	B2	10/2001	Tsubaki et al.
D455,266	S	4/2002	Bradford
6,368,694	B1	4/2002	Marsh et al.
D463,894	S	10/2002	Ghafourian et al.

6,564,993	B1	5/2003	Wassink
6,926,144	B1	8/2005	Schnaars, Jr. et al.
D539,004	S	3/2007	Giampavolo
D547,024	S	7/2007	Brefka et al.
7,244,004	B2	7/2007	Hightower
D620,673	S	7/2010	Giampavolo et al.
7,963,394	B2	6/2011	Facey et al.
D648,094	S	11/2011	Medina
D657,934	S	4/2012	Kessler et al.
8,333,297	B2	12/2012	McAlpine et al.
D681,903	S	5/2013	Randall et al.
D706,014	S	5/2014	Ksiezakowski
9,079,707	B2	7/2015	Winterberg
D773,299	S	12/2016	Gray et al.
D774,271	S	12/2016	Marti
D813,489	S	3/2018	Frazier
2002/0179701	A1	12/2002	Bazany et al.
2004/0025757	A1	2/2004	Fan
2017/0129646	A1	5/2017	Frazier

FOREIGN PATENT DOCUMENTS

EP	0665166	8/1995
EP	1207113	5/2002
EP	1886928	2/2008
WO	00/41938	7/2000
WO	2002/072437	9/2002

OTHER PUBLICATIONS

“K-Bins Flat Pack Polypropylene Stacking Boxes Grey,” Big Dug®, bigdug.co.uk, © 2015, accessed: Jul. 2015. <http://www.bigdug.co.uk/storage-boxes-containers-c363/k-bins-c367/kbins-flat-packpolypropylene-stacking-boxes-grey-pp14828>, 2 pages.
 International Search Report and Written Opinion for PCT/US16/60994 dated Jan. 25, 2017, 11 pages.

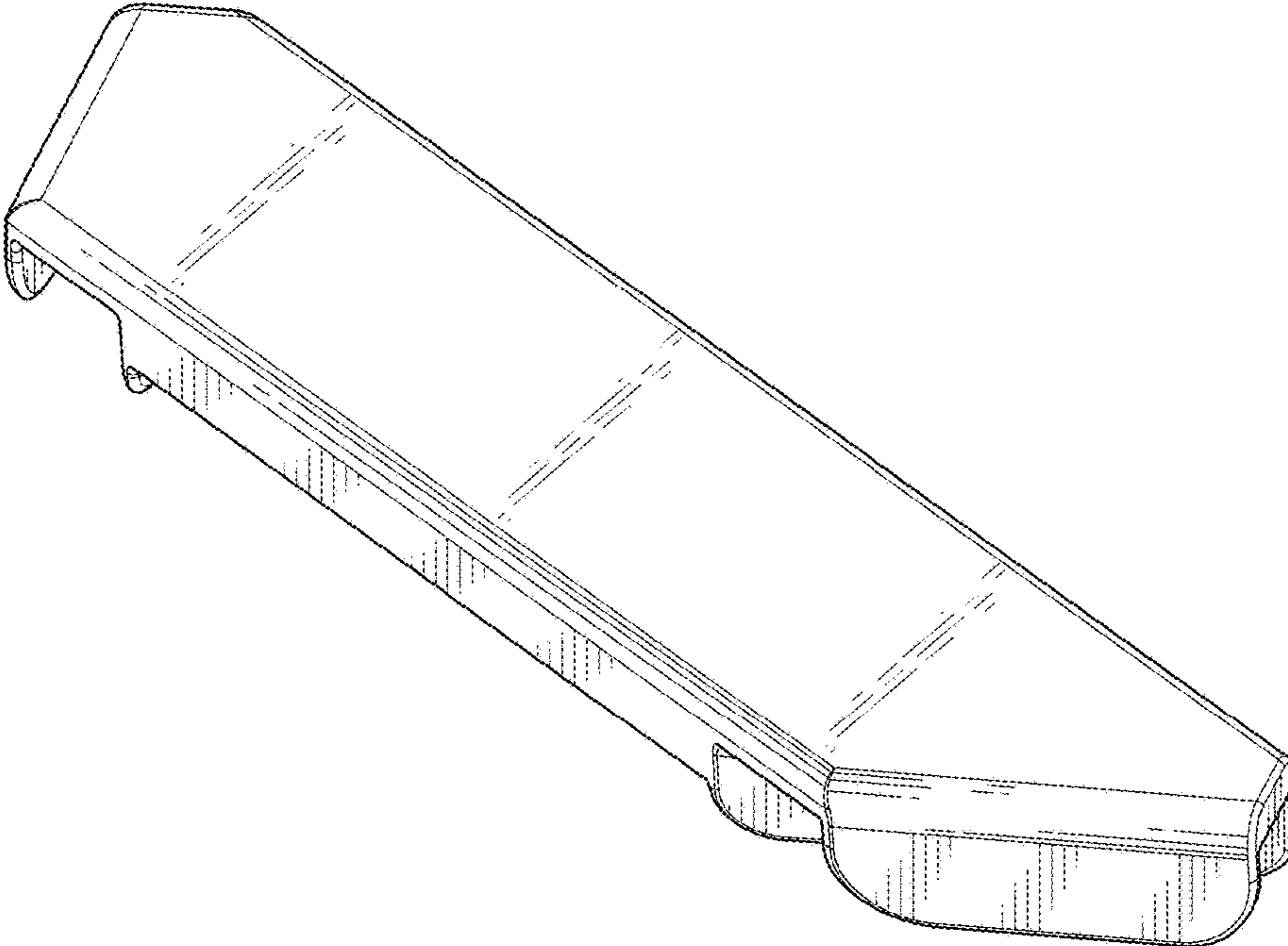


FIG. 1

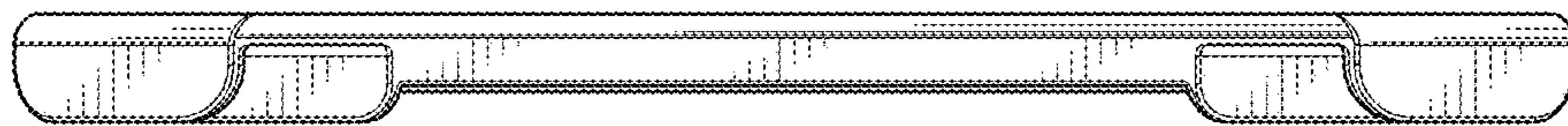


FIG. 2

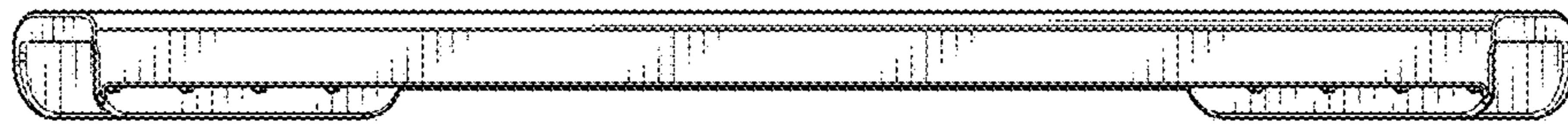


FIG. 3



FIG. 4

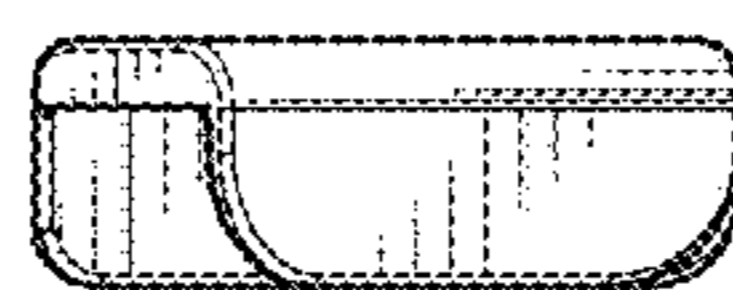


FIG. 5

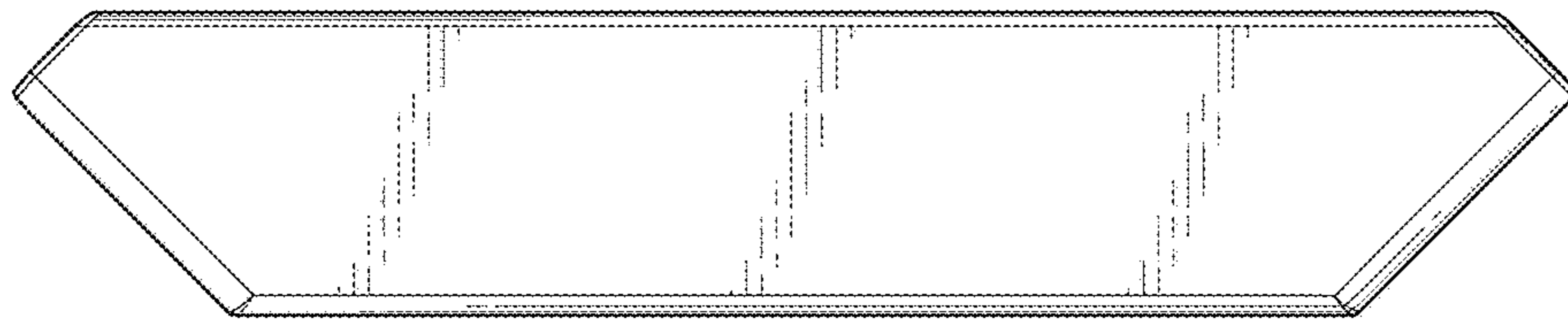


FIG. 6

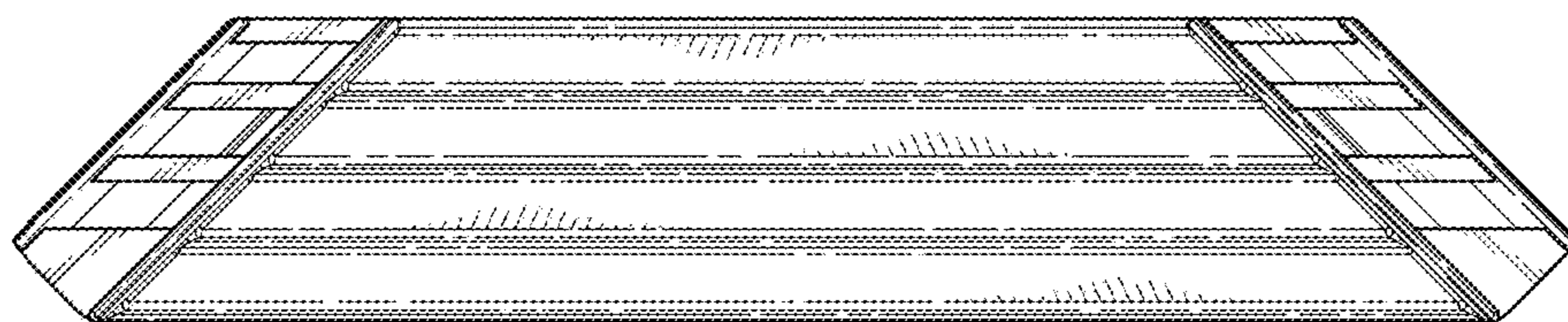


FIG. 7

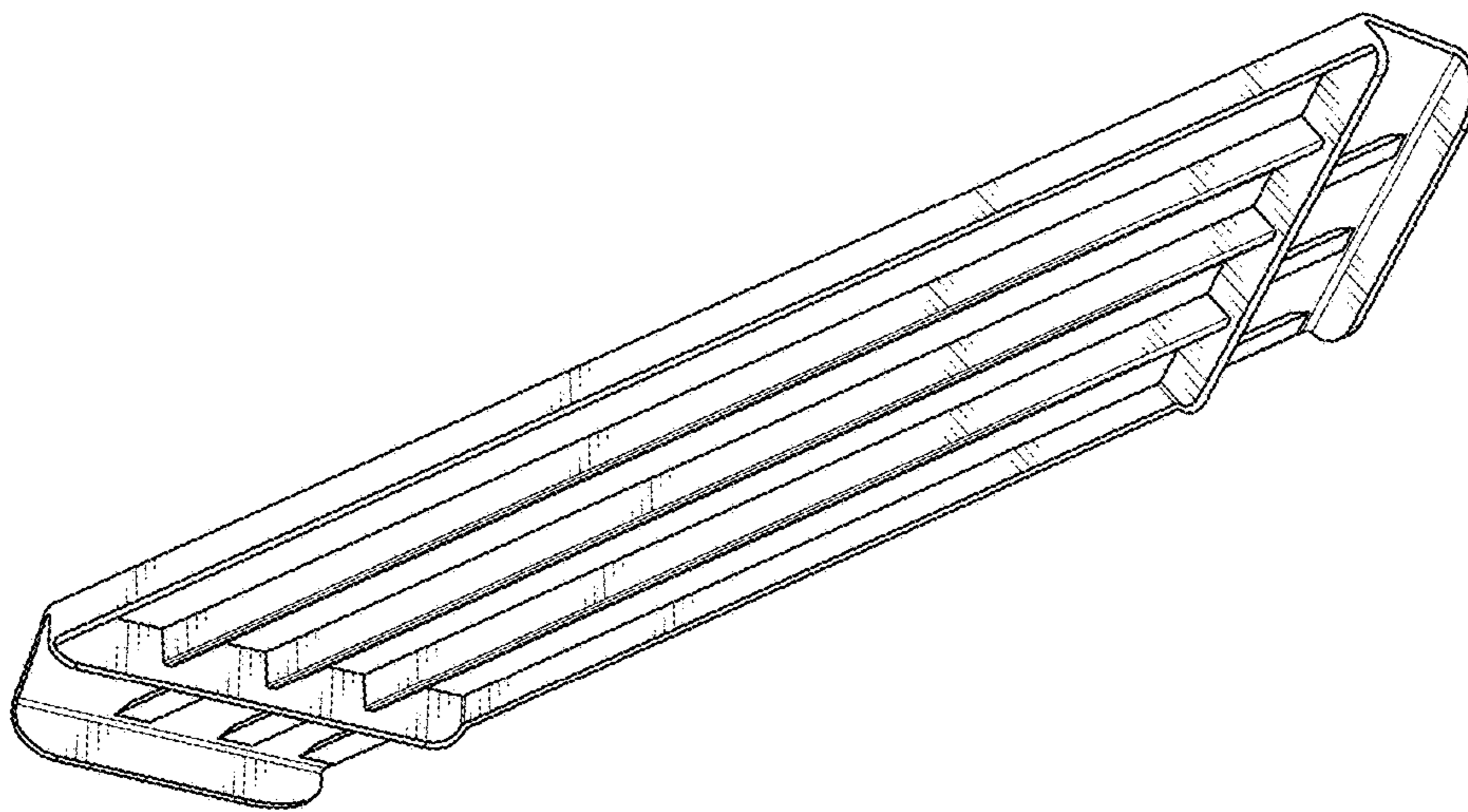


FIG. 8

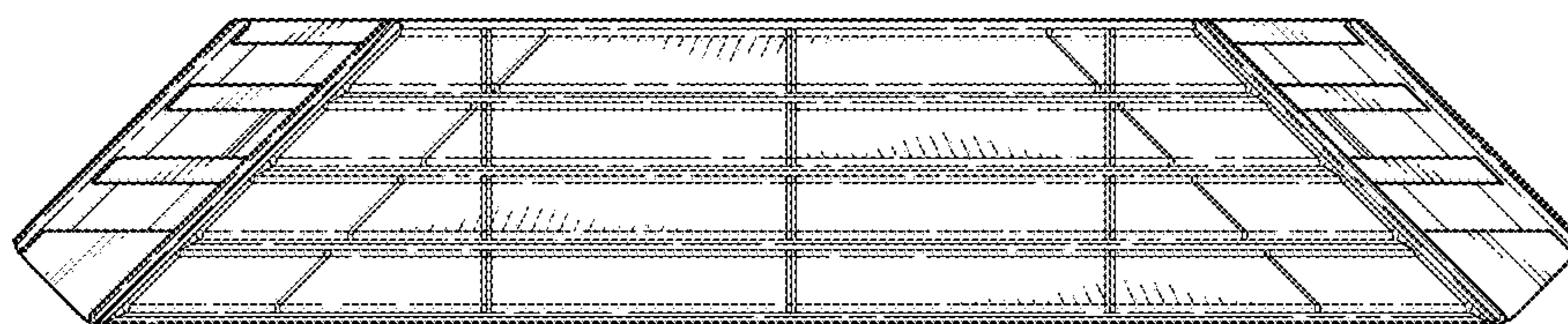


FIG. 9

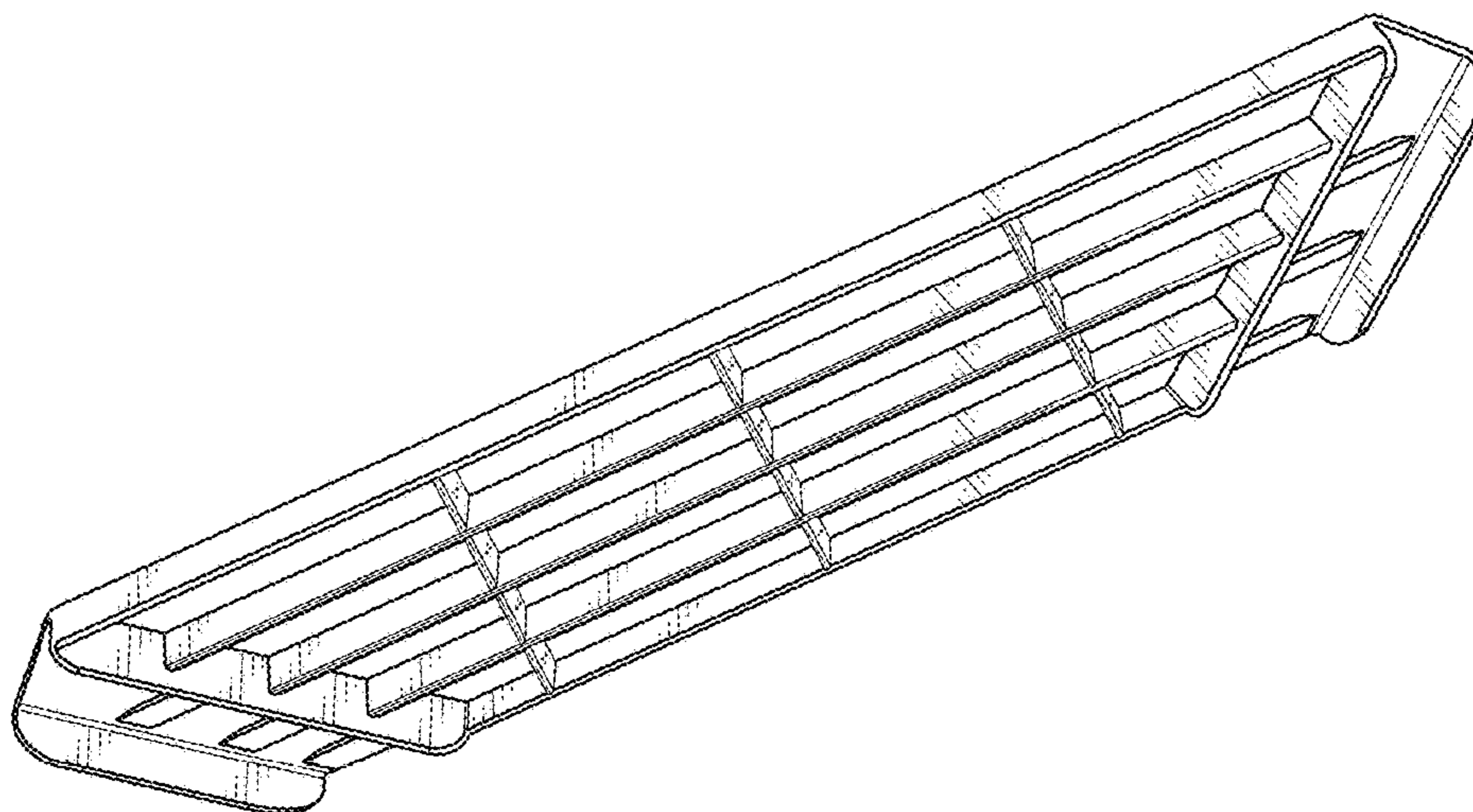


FIG. 10