



US00D847449S

(12) **United States Design Patent**
Viera

(10) **Patent No.:** **US D847,449 S**
(45) **Date of Patent:** **** Apr. 30, 2019**

(54) **SPITTOON**
(71) Applicant: **Veronica Viera**, Fontana, CA (US)
(72) Inventor: **Veronica Viera**, Fontana, CA (US)
(**) Term: **15 Years**
(21) Appl. No.: **29/624,768**
(22) Filed: **Nov. 3, 2017**
(51) **LOC (11) Cl.** **09-09**
(52) **U.S. Cl.**
USPC **D34/2**
(58) **Field of Classification Search**
USPC D34/2; D7/700; D9/440, 436, 524, 712;
D23/209, 302, 200; D10/46.2; D24/122
CPC A61J 11/04; A61J 9/00; B01F 15/00915;
B65B 29/00; B65B 29/04; B65D 47/06;
A47J 31/06; C02F 1/003; B67C 11/02;
B67C 11/04; B65F 1/1473; B65F 1/1452;
B65F 1/1489; C05F 17/02; C05F
17/0205; C05F 17/0223; C05F 17/0258
See application file for complete search history.

4,990,145 A * 2/1991 Fleury A61G 9/006
604/317
D350,634 S * 9/1994 Hawkes D34/1
5,403,740 A * 4/1995 Menefee C05F 17/0205
229/117.01
5,409,315 A * 4/1995 Evans B65D 65/46
383/1
5,626,174 A * 5/1997 Schaffner B67C 11/02
141/332
D397,002 S * 8/1998 Smith D7/700
5,921,296 A * 7/1999 Porter B67C 11/02
141/331
D416,795 S * 11/1999 Rabouin D9/424
D436,166 S * 1/2001 Berkey D24/122
6,276,411 B1 * 8/2001 Veneziano B67C 11/02
141/337

(Continued)

OTHER PUBLICATIONS

Google search for funnel; Ade Lab Scientific, Funnel Plastic, powder type; <http://adelab.com.au/powder-funnels-plastic/funnel-plastic-powder-type-80mm-d-x-30mm-stem-length> (Year: 2019).*

Primary Examiner — Cynthia Ramirez
(74) *Attorney, Agent, or Firm* — Sanchelima & Associates, P.A.; Christian Sanchelima; Jesus Sanchelima

(56) **References Cited**

U.S. PATENT DOCUMENTS

42,356 A * 4/1864 Dubber B67C 11/04
141/344
120,637 A * 11/1871 French B67C 11/02
141/300
1,727,195 A * 9/1929 Black B67C 11/02
141/300
2,809,468 A * 10/1957 Eliot A01G 27/006
47/44
2,842,116 A * 7/1958 Hinderer A47J 37/0763
126/25 R
4,503,572 A * 3/1985 Dawson A61J 19/00
220/521
D309,241 S * 7/1990 Ayyoubi D23/200

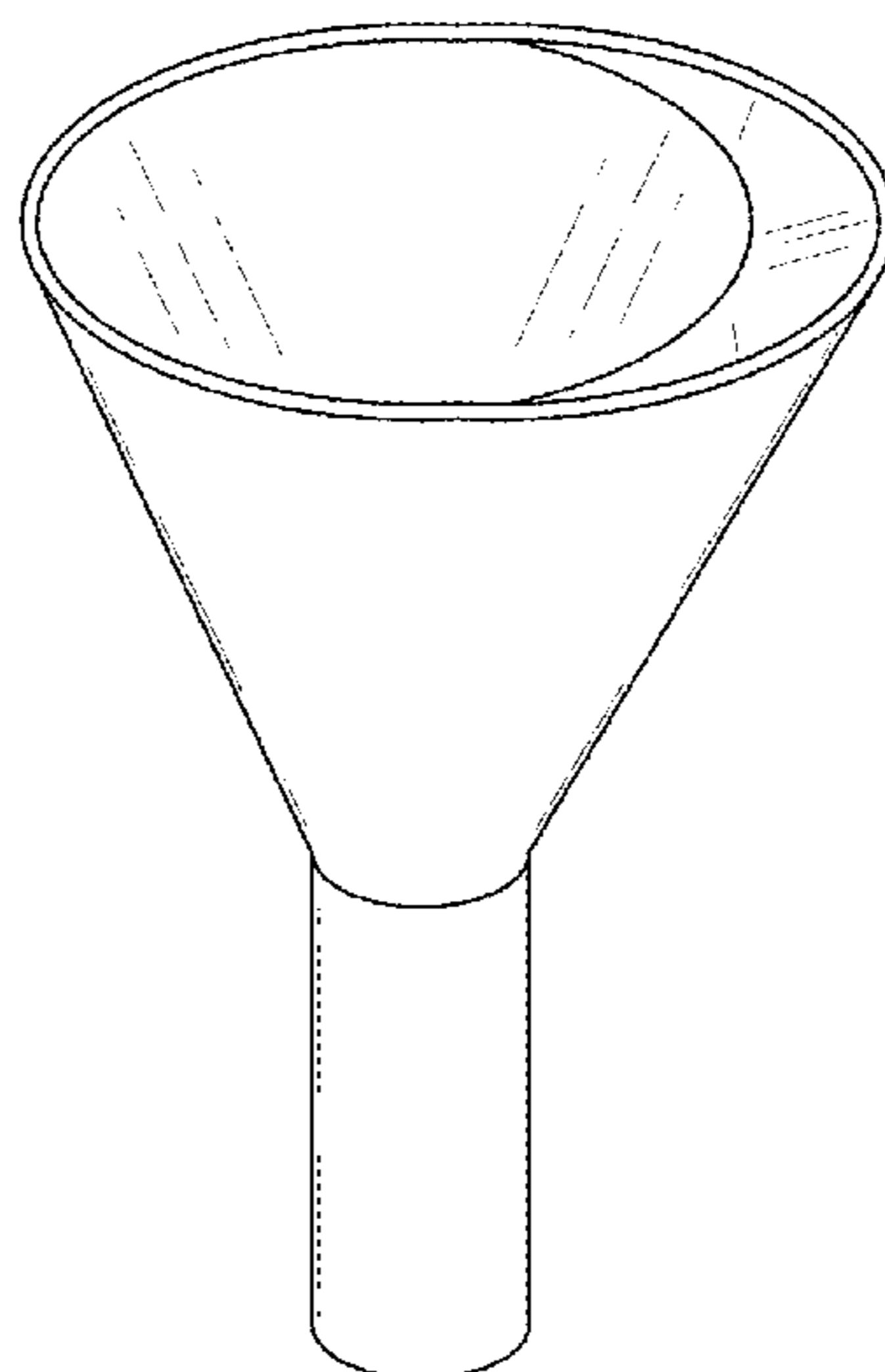
(57) **CLAIM**

The ornamental design for spittoon, as shown and described.

DESCRIPTION

FIG. 1 is an isometric view of a spittoon showing my new design;
FIG. 2 is a front view thereof;
FIG. 3 is a rear view thereof;
FIG. 4 is a left side view thereof;
FIG. 5 is a right side view thereof;
FIG. 6 is a top view thereof; and,
FIG. 7 is a bottom view thereof showing my design.

1 Claim, 3 Drawing Sheets



(56)

References Cited

U.S. PATENT DOCUMENTS

6,450,362 B1 *	9/2002	Laurion	C05F 17/0205	D772,025 S *	11/2016	Salzl	D7/700
				220/485	D783,209 S *	4/2017	Morris	D30/121
6,719,021 B1 *	4/2004	Jwu	B67C 11/02	D790,915 S *	7/2017	Yeh	D7/400
				141/199	D803,620 S *	11/2017	Yeh	D7/400
6,783,826 B2 *	8/2004	Sherrod	A47K 11/105	D819,914 S *	6/2018	Mendoza	D34/1
				4/245.6	D834,184 S *	11/2018	Anderson	D24/115
D519,700 S *	4/2006	Pizzolon	D34/4	2001/0049498 A1 *	12/2001	Davison	A61B 17/0218
D584,378 S *	1/2009	Wilson	D23/207					604/164.03
8,007,492 B2 *	8/2011	DiPoto	A61B 17/0218	2002/0171354 A1 *	11/2002	Kunitomo	H01J 29/86
				606/1					313/481
8,545,465 B2 *	10/2013	Daly	A61M 1/0013	2004/0154696 A1 *	8/2004	Koncelik, Jr.	B60R 11/00
				604/313					141/331
8,567,456 B1 *	10/2013	Francis	B67C 11/02	2007/0272328 A1 *	11/2007	Chang	B01D 17/02
				141/286					141/331
8,726,949 B1 *	5/2014	Poire	B67C 11/02	2008/0053566 A1 *	3/2008	England	B67C 11/02
				141/338					141/331
D719,414 S *	12/2014	Hester	D7/700	2011/0308286 A1 *	12/2011	Cowie	B65F 1/04
D726,310 S *	4/2015	Miller	D24/122					71/14
D730,607 S *	5/2015	Compton	D34/2	2012/0090724 A1 *	4/2012	Heller	B67C 11/02
D768,349 S *	10/2016	MacFarlane	D34/2					141/1
					2012/0255966 A1 *	10/2012	Percudani	B65D 83/0894
									221/45
					2018/0201550 A1 *	7/2018	Stearns	C05F 17/0264

* cited by examiner

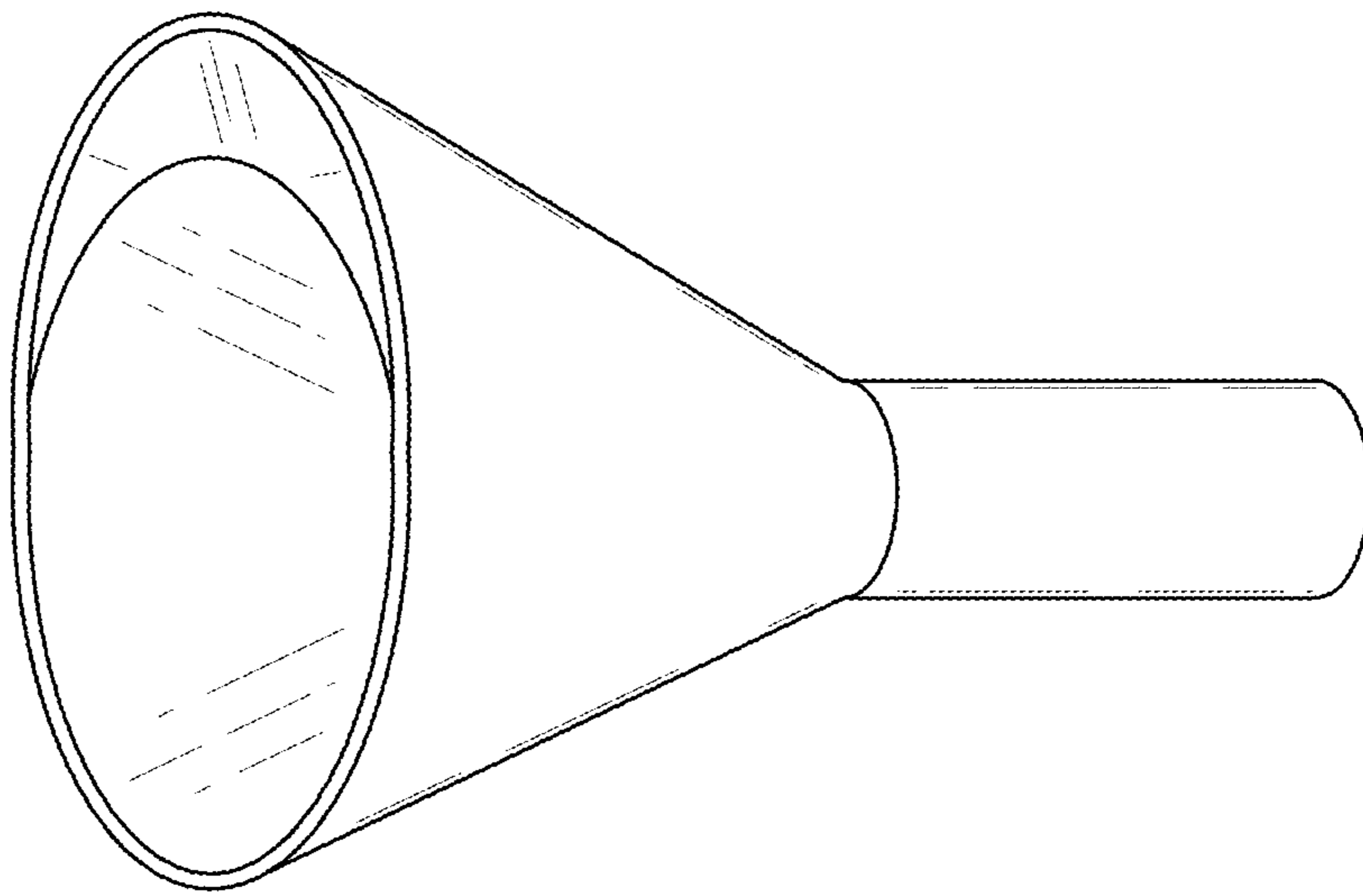


FIG. 1

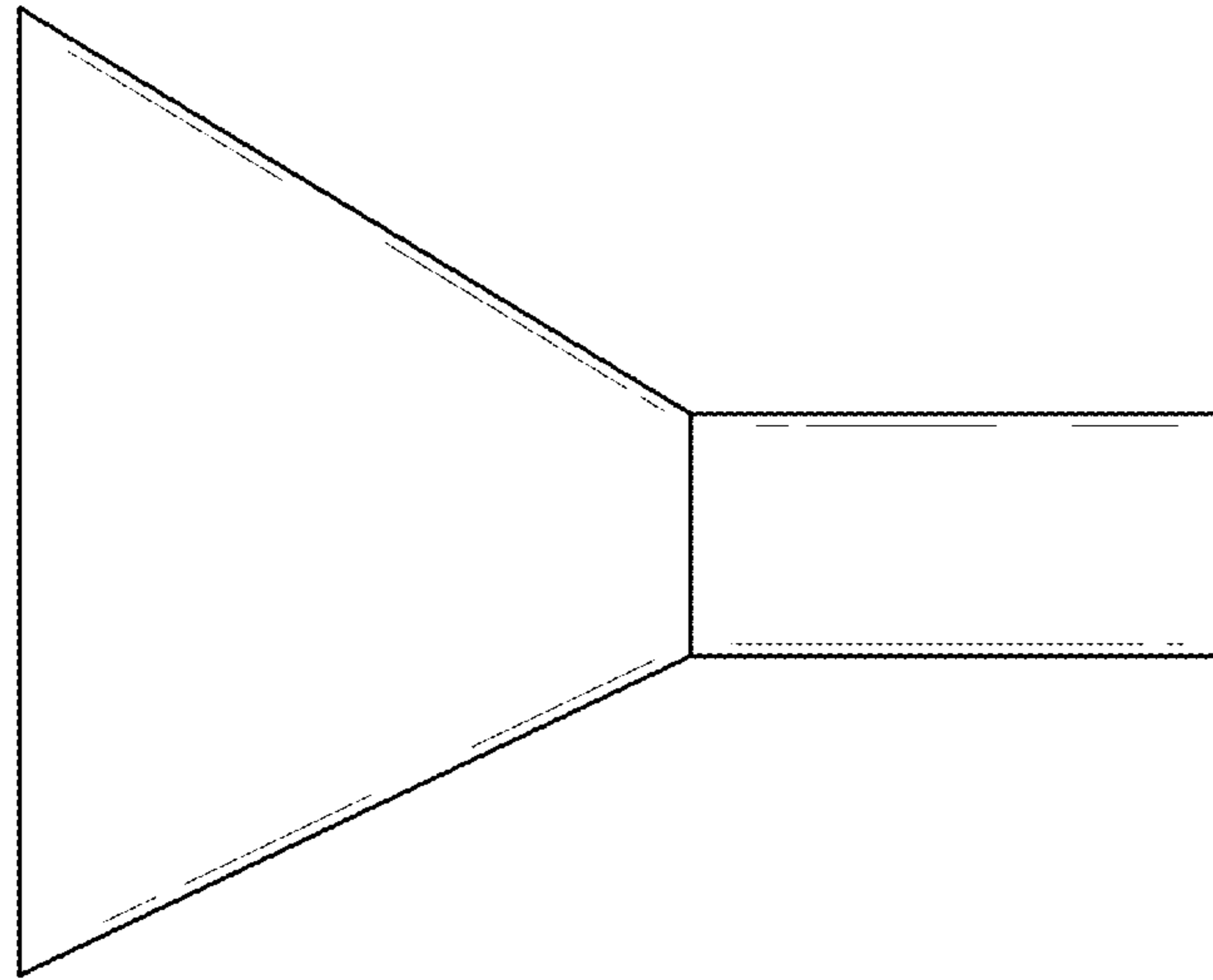


FIG. 2

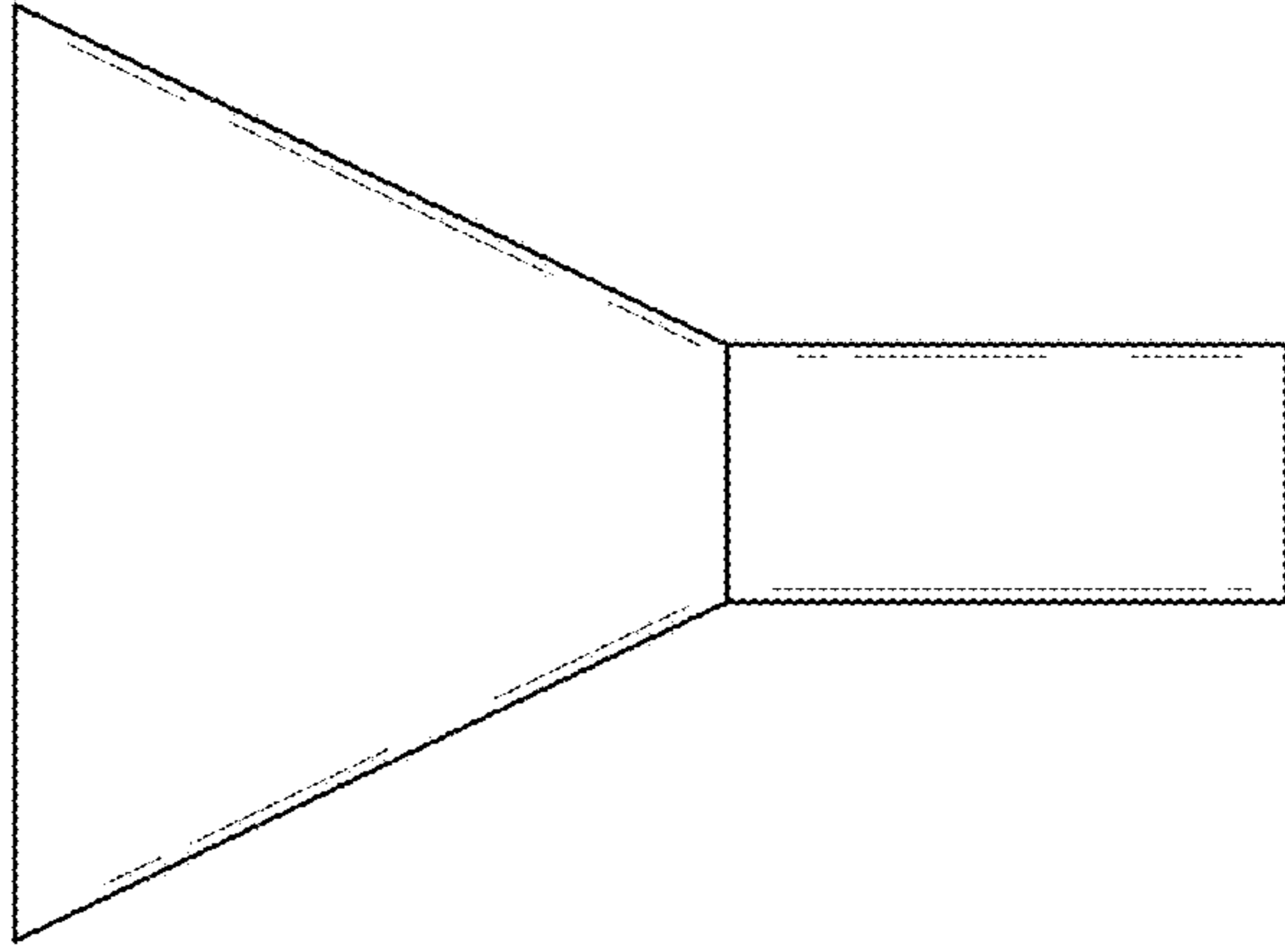


FIG. 3

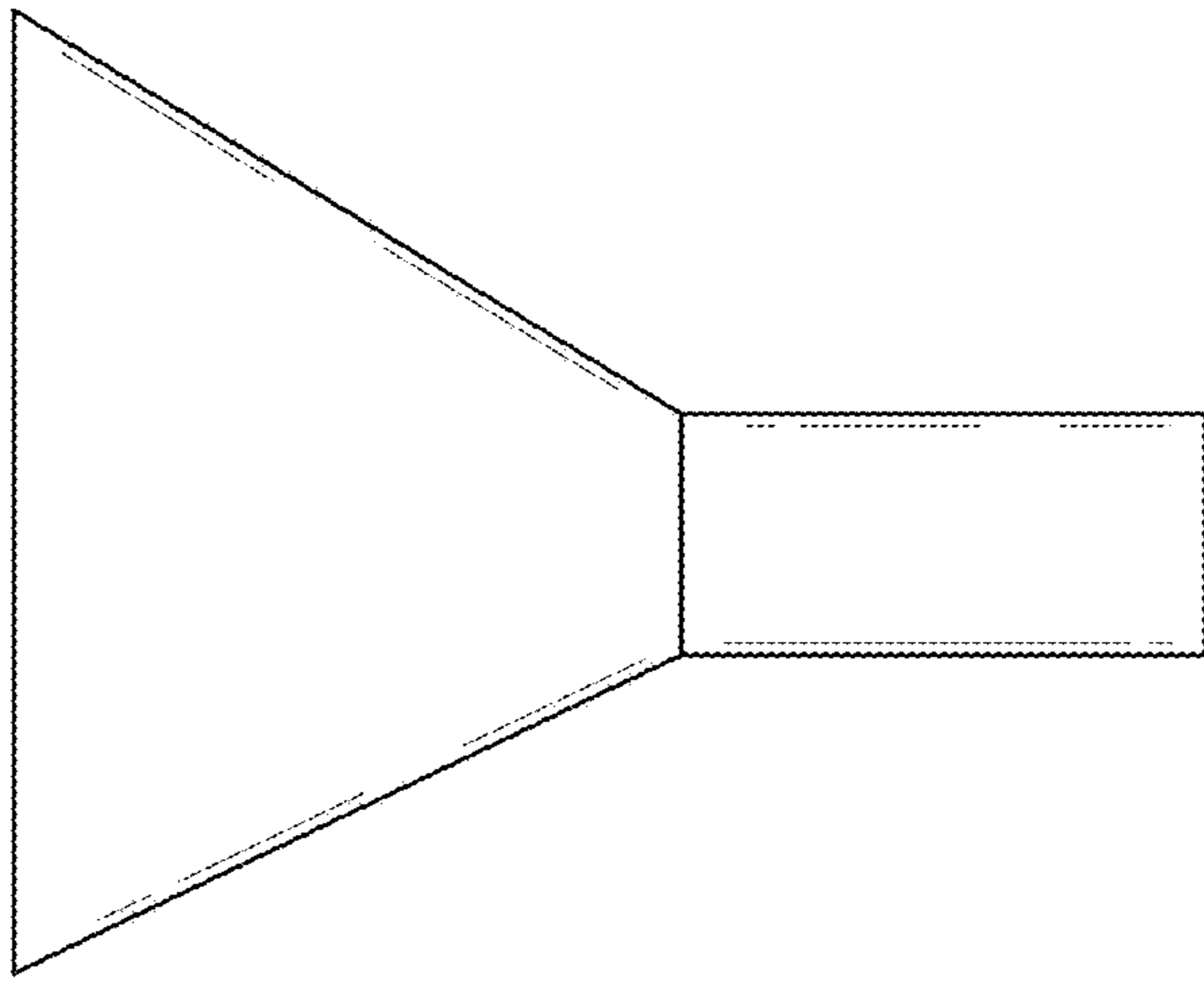


FIG. 4

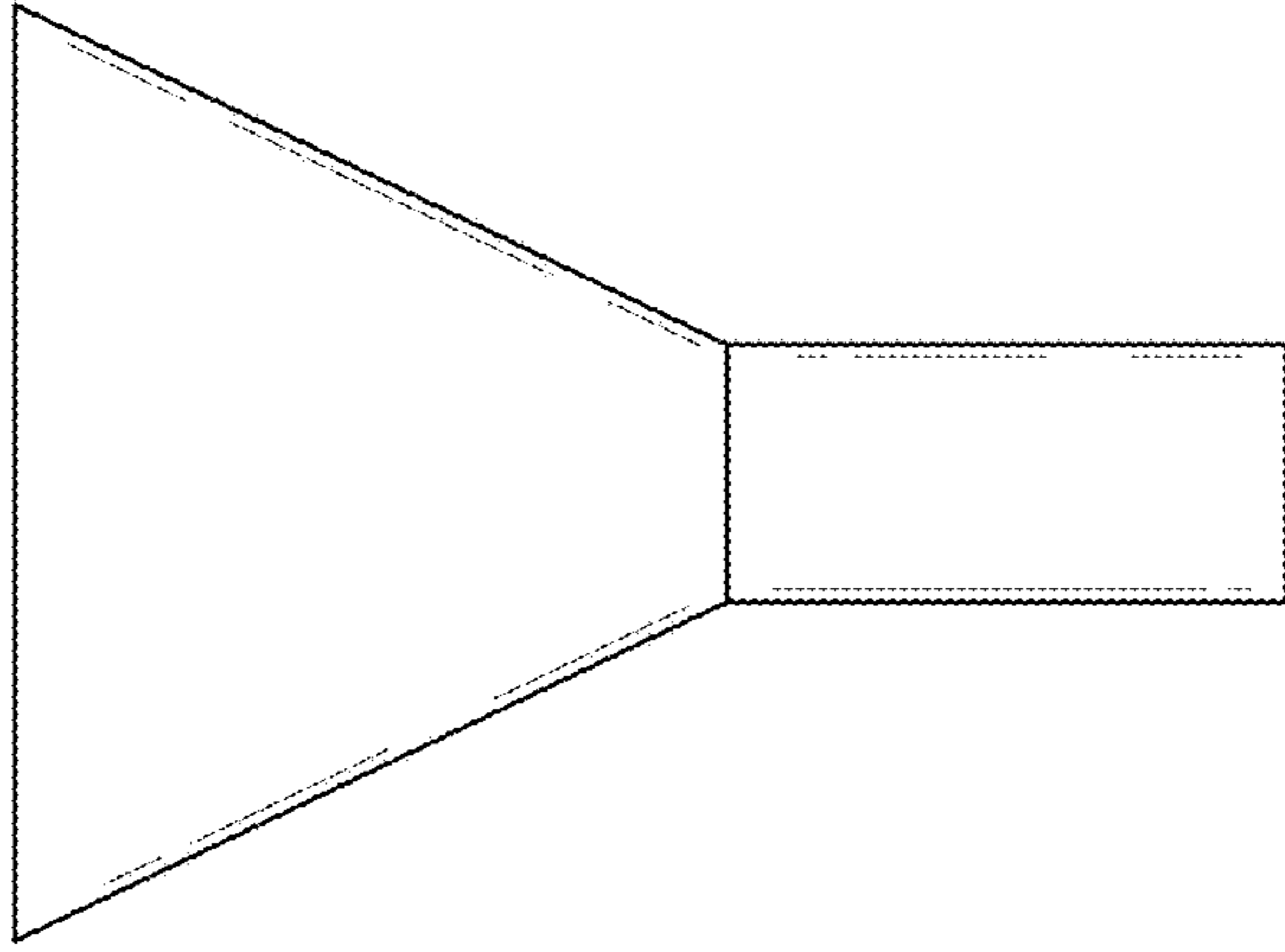


FIG. 5

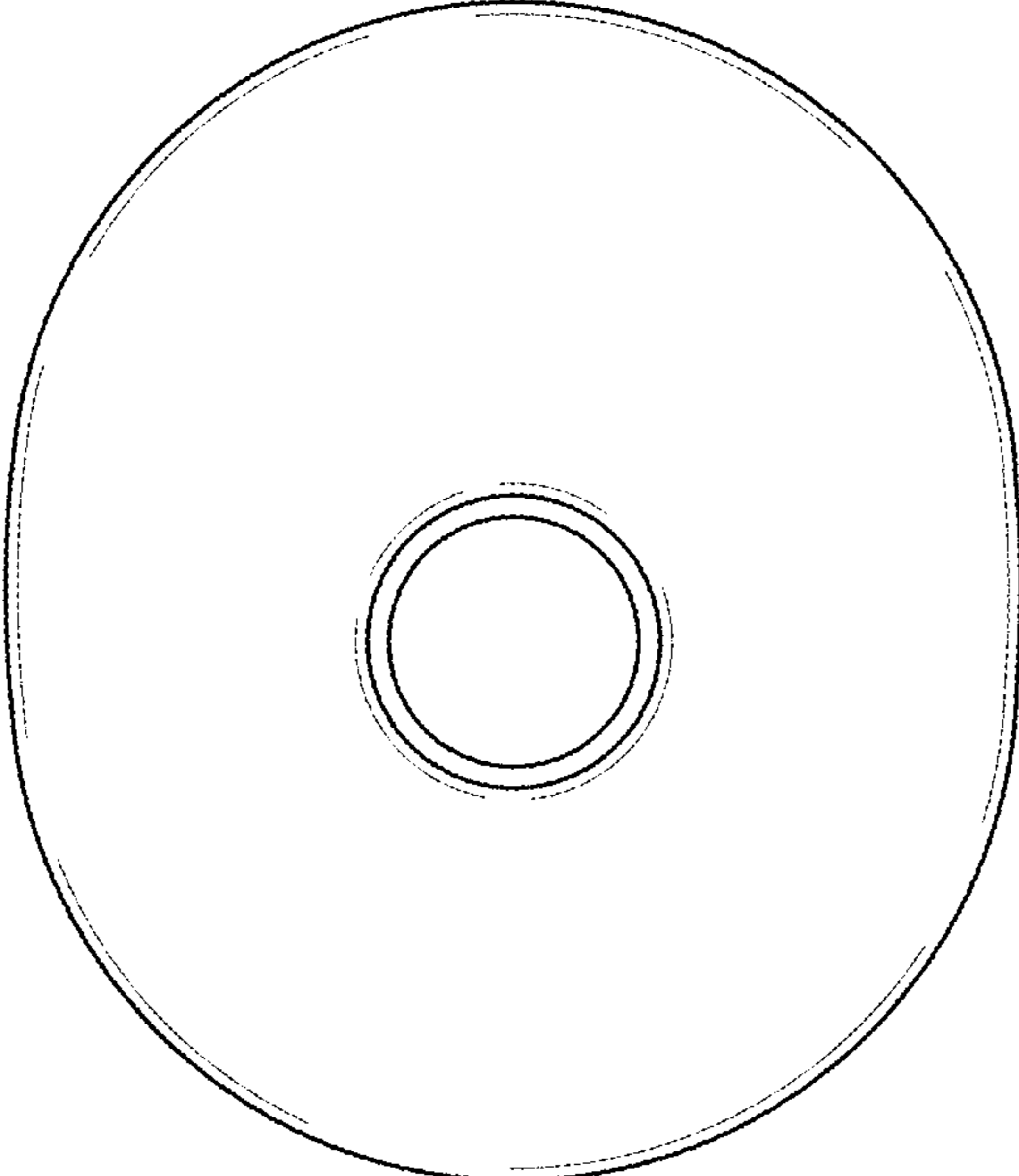


FIG. 7

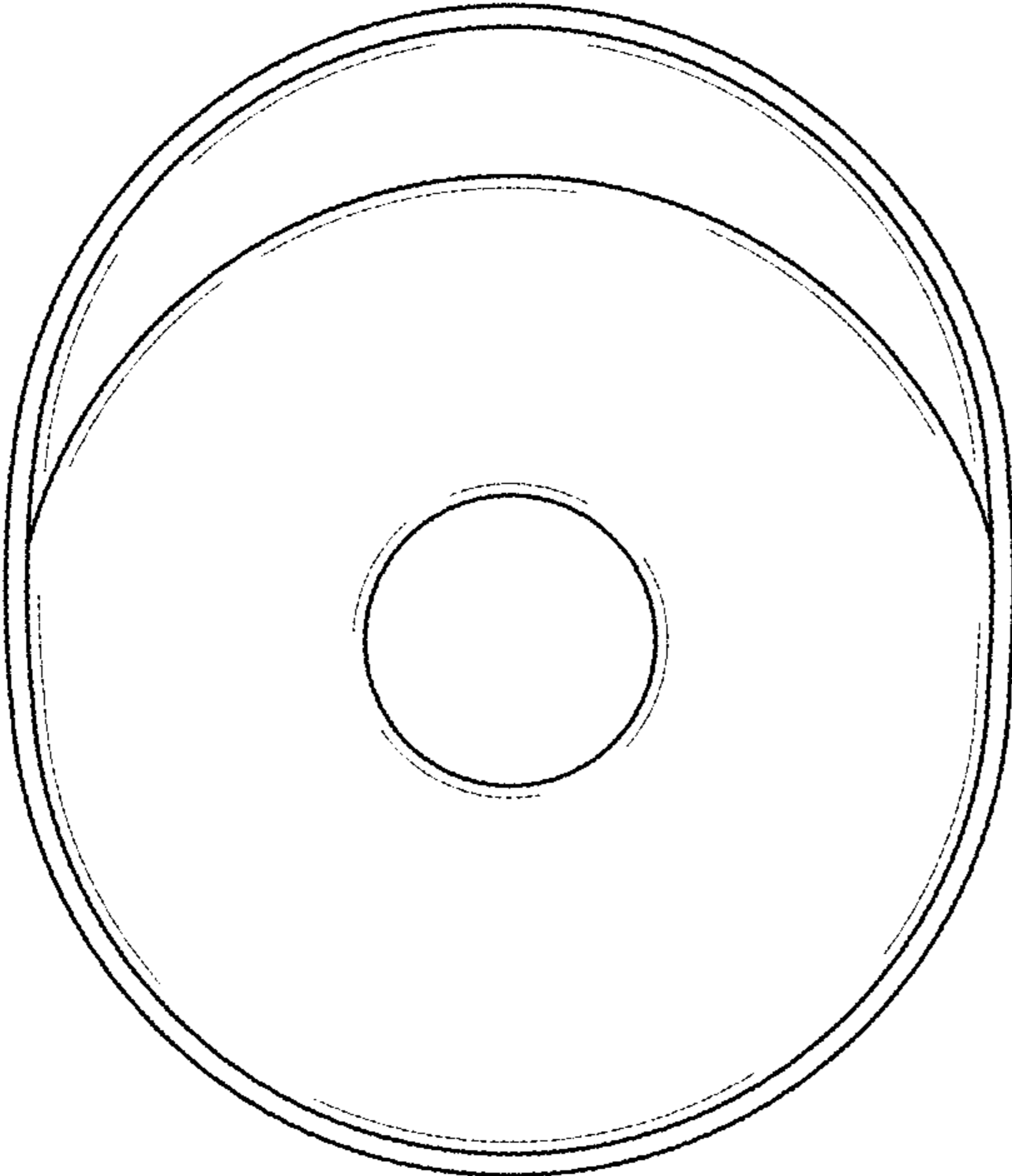


FIG. 6