



US00D847447S

(12) **United States Design Patent**
Mizrachi

(10) **Patent No.:** **US D847,447 S**

(45) **Date of Patent:** **** Apr. 30, 2019**

- (54) **PAINT BRUSH EDGING TOOL**
- (71) Applicant: **Refael Mizrachi**, Lauderhill, FL (US)
- (72) Inventor: **Refael Mizrachi**, Lauderhill, FL (US)
- (**) Term: **15 Years**
- (21) Appl. No.: **29/608,930**
- (22) Filed: **Jun. 27, 2017**
- (51) **LOC (11) Cl.** **07-05**
- (52) **U.S. Cl.**
USPC **D32/46; D4/118**
- (58) **Field of Classification Search**
USPC D4/118; D32/40, 42, 46, 49
CPC A45D 24/14; A45D 24/16; A46B 3/005;
A46B 5/00; A46B 5/02; A46B 5/021;
A46B 9/02; A46B 9/021; A46B 9/023;
A46B 13/001; A46B 13/008; A46B
15/0055; A46B 15/0081; A46B 15/0087;
A46B 17/02; A46B 2200/30; A46B
2200/104; A46B 2200/106; A46B
2200/202; A46B 2200/205; A46B
2200/207; A46B 2200/304; A46B
2200/1006; A46B 2200/1046; A46B
2200/1053; A46B 2200/3006; A46B
2200/3033; A46B 2200/3093; E01H 1/12;
E01H 1/105
See application file for complete search history.

(56) **References Cited**
U.S. PATENT DOCUMENTS

782,530 A	2/1905	Swanson	
1,333,765 A *	3/1920	Moore	B43K 25/024 24/11 R
2,584,504 A	2/1952	Seeber	
2,820,237 A	2/1958	Maslaney	
3,049,741 A	8/1962	Bessette et al.	
3,210,791 A	10/1965	Rogholt	
3,341,879 A	9/1967	Kumpman	

3,401,418 A	9/1968	Deck et al.	
3,930,278 A	1/1976	Nasca	
D255,637 S *	7/1980	Kelly	D10/46.2
4,339,837 A	7/1982	Reeberg	
5,046,696 A *	9/1991	Lee	A47F 7/021 248/205.3
5,484,056 A *	1/1996	Wood	B65D 73/0064 206/349
6,012,750 A *	1/2000	Swartz	A47J 43/288 294/7
D431,460 S *	10/2000	Nichol	D9/415
D497,800 S *	11/2004	Trettin	D9/415
D785,416 S *	5/2017	Knittig	D7/692
D801,757 S *	11/2017	Knittig	D7/683
10,016,054 B1 *	7/2018	Parasher	A47L 13/51
2003/0062277 A1 *	4/2003	Chen	B65D 73/0014 206/349

(Continued)

Primary Examiner — Brandon M Rosati
(74) *Attorney, Agent, or Firm* — Robert C. Kain, Jr.

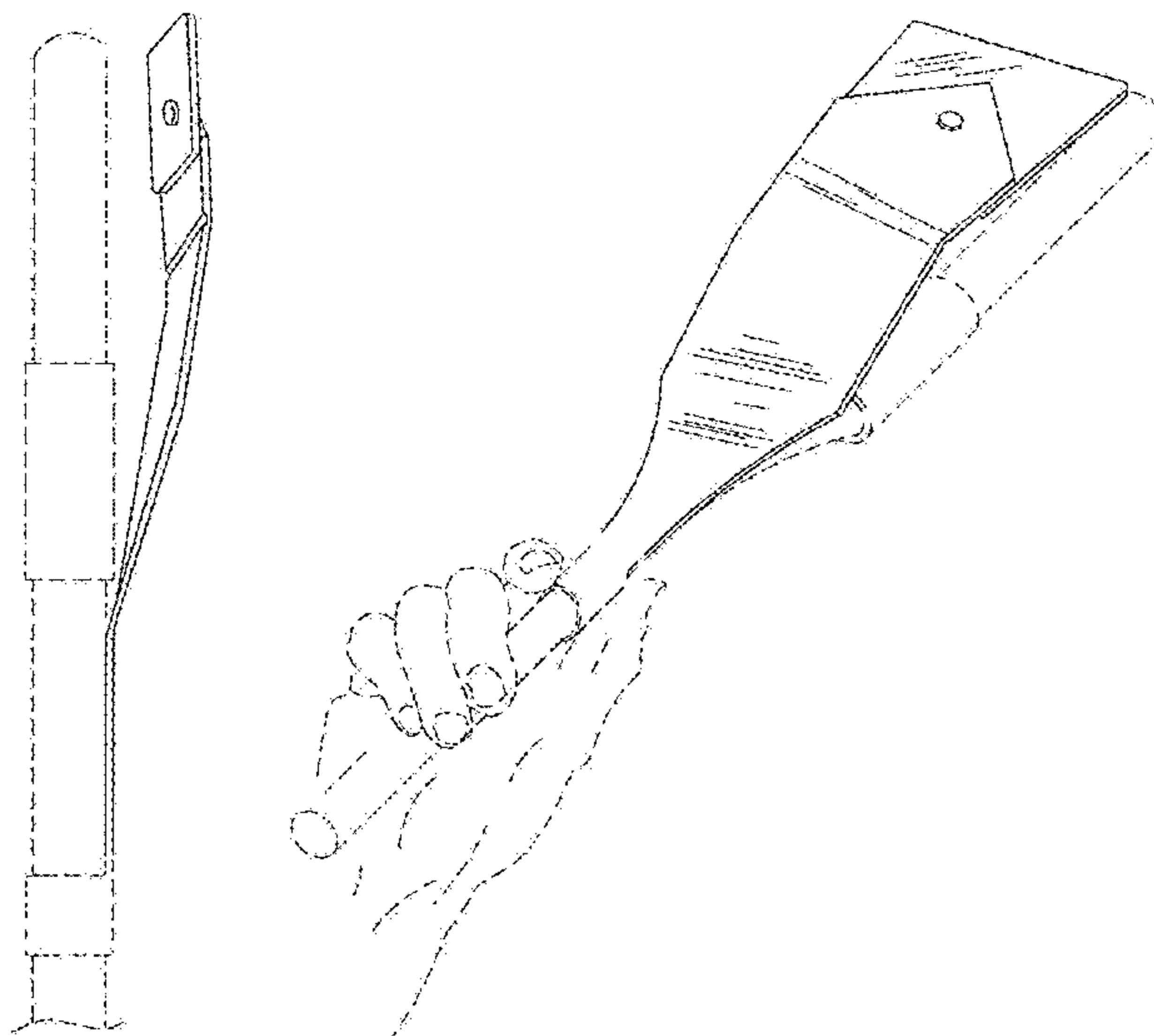
(57) **CLAIM**

I claim the ornamental design for a paint brush edging tool, as shown and described.

DESCRIPTION

FIG. 1 is a front elevational view of a paint brush edging tool.
 FIG. 2 is a left side view of the paint brush edging tool.
 FIG. 3 is a top view of the paint brush edging tool.
 FIG. 4 is a bottom view of the paint brush edging tool.
 FIG. 5 is a right side view of the paint brush edging tool.
 FIG. 6 is a rear view of the paint brush edging tool; and,
 FIG. 7 is a perspective view of the paint brush edging tool.
 The broken line showing of the hand and paintbrush are included for the purpose of showing unclaimed environmental subject matter while all other broken lines are included for the purpose of illustrating portions of the paint brush edging tool; the broken lines forming no part of the claim design.

1 Claim, 6 Drawing Sheets



(56)

References Cited

U.S. PATENT DOCUMENTS

2003/0196286	A1	10/2003	Pyles	
2013/0022386	A1	1/2013	Gallardo	
2015/0223593	A1	8/2015	Sguera	
2018/0078031	A1*	3/2018	Mizrachi	A46B 17/08
2018/0078032	A1*	3/2018	Mizrachi	A46B 17/08
2018/0168331	A1*	6/2018	Torres	A46B 11/06

* cited by examiner

FIG. 1

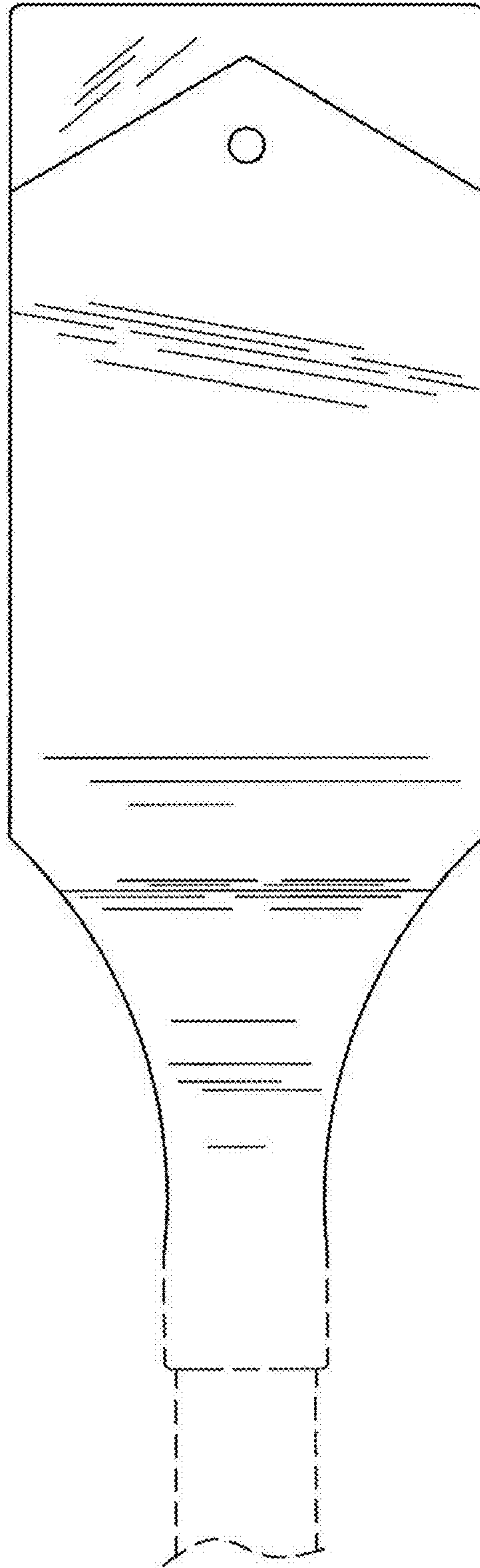


FIG.2

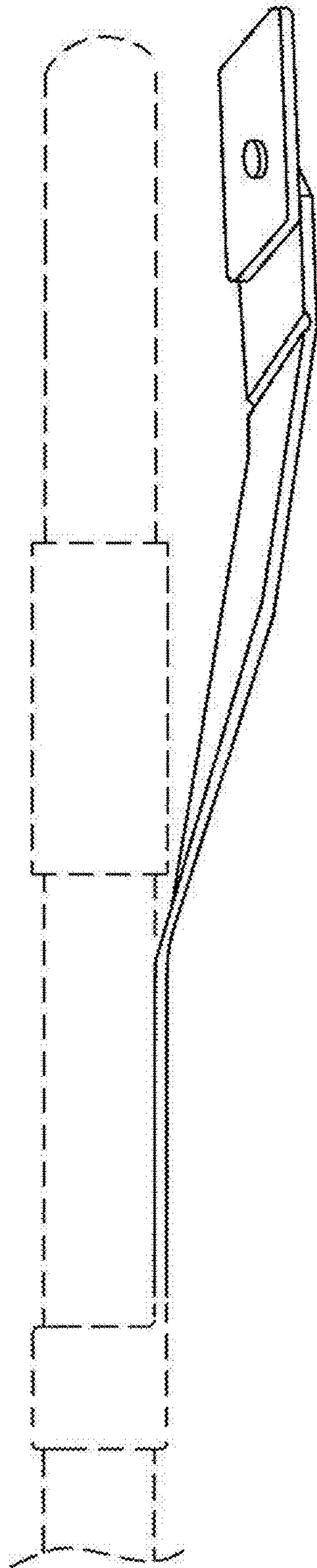


FIG.3

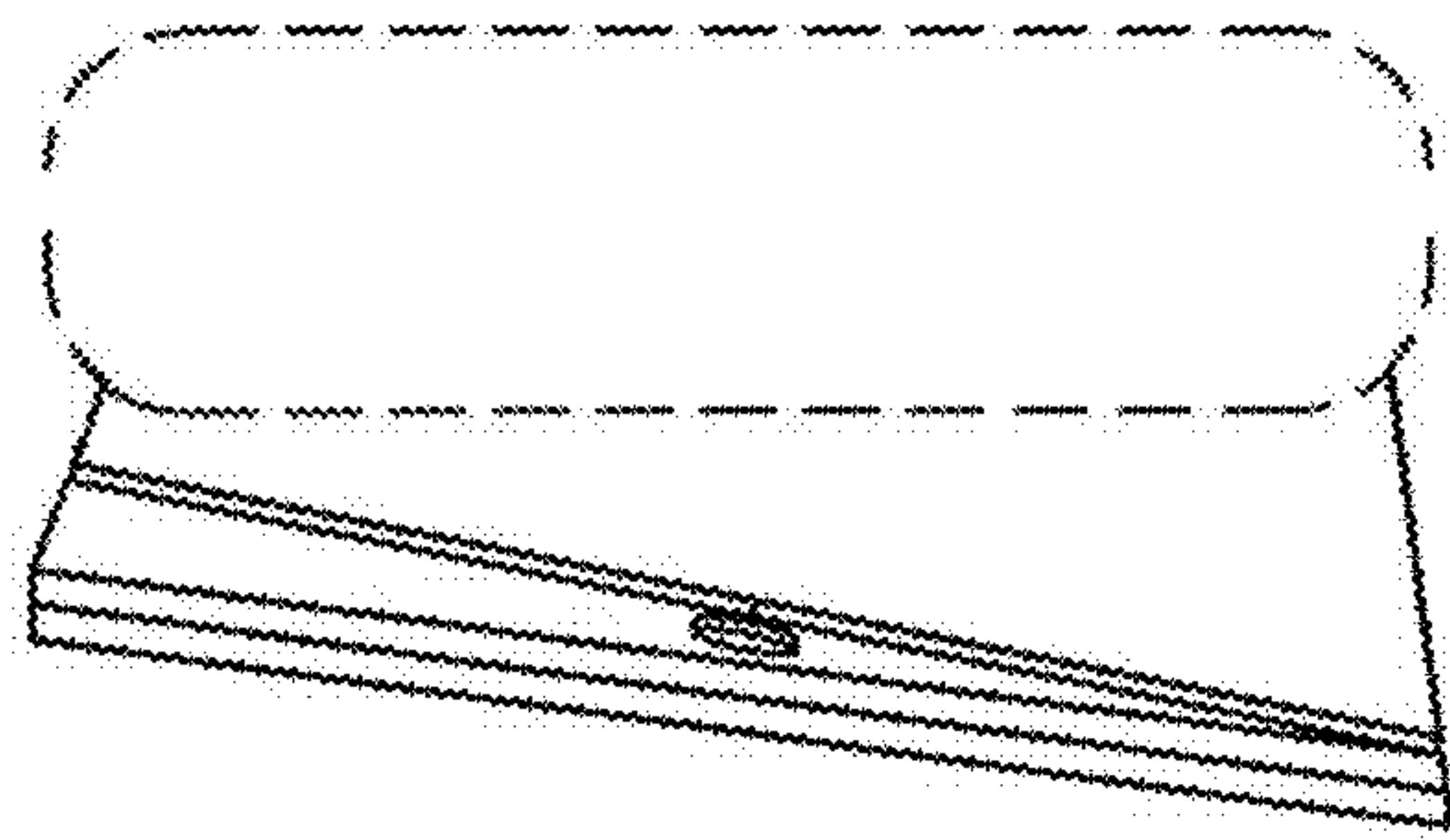


FIG.4

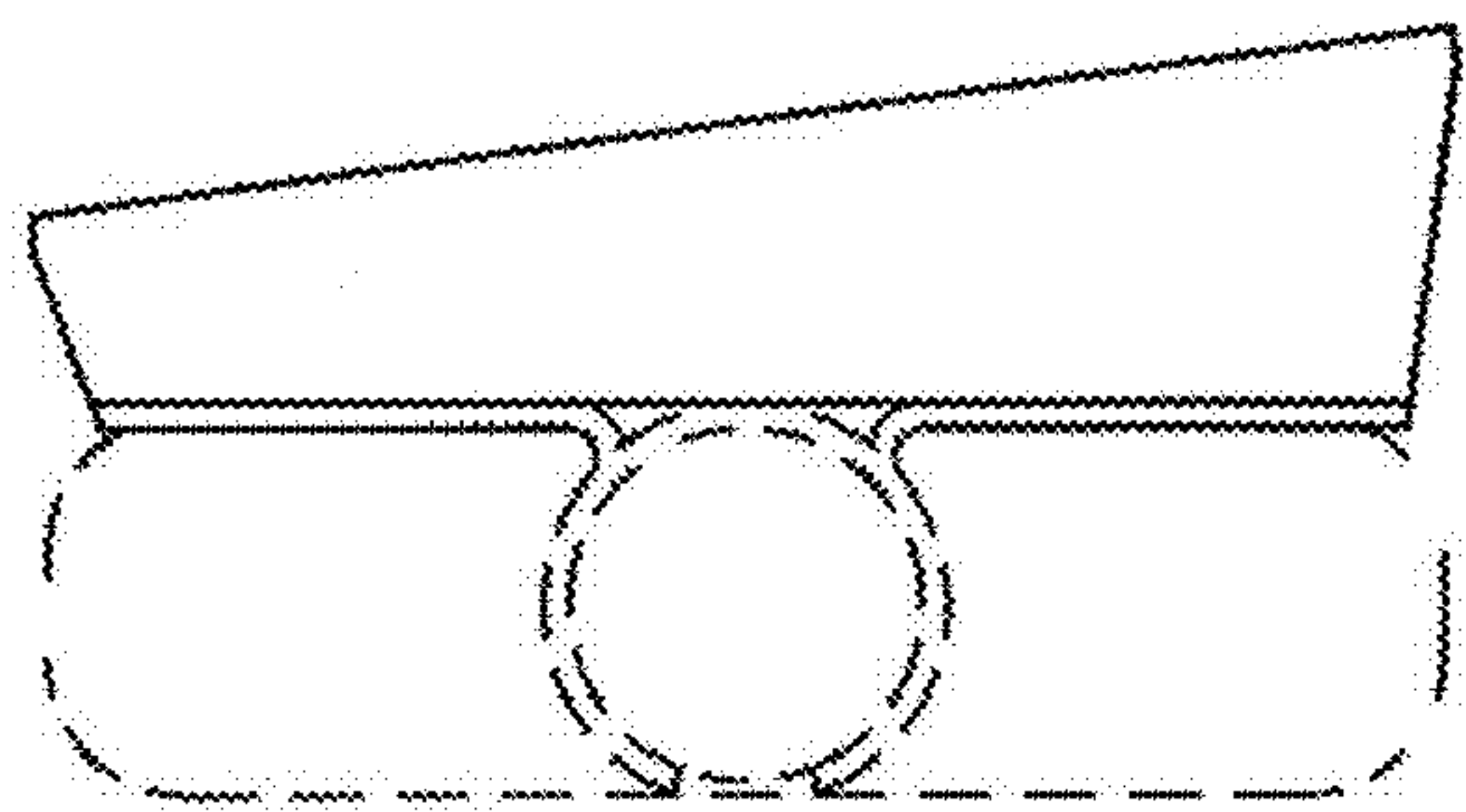


FIG. 5

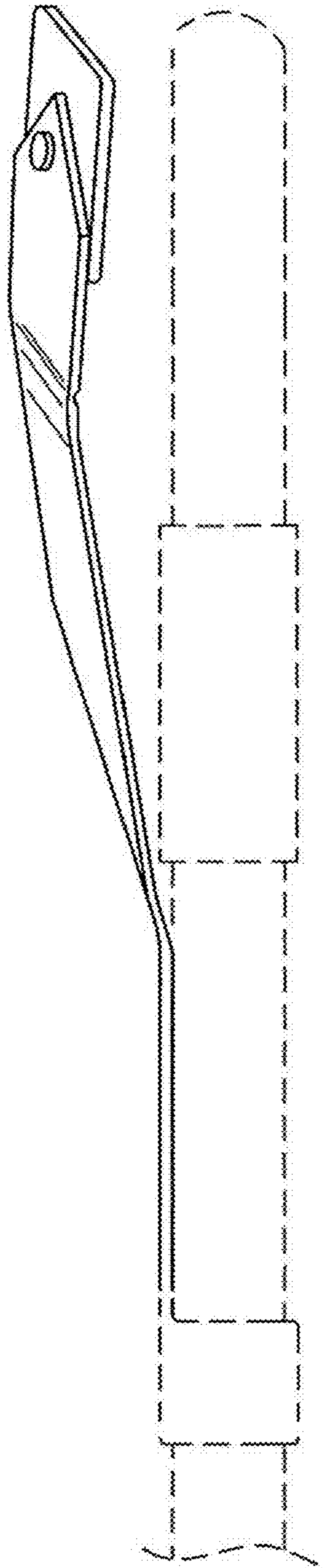


FIG.6

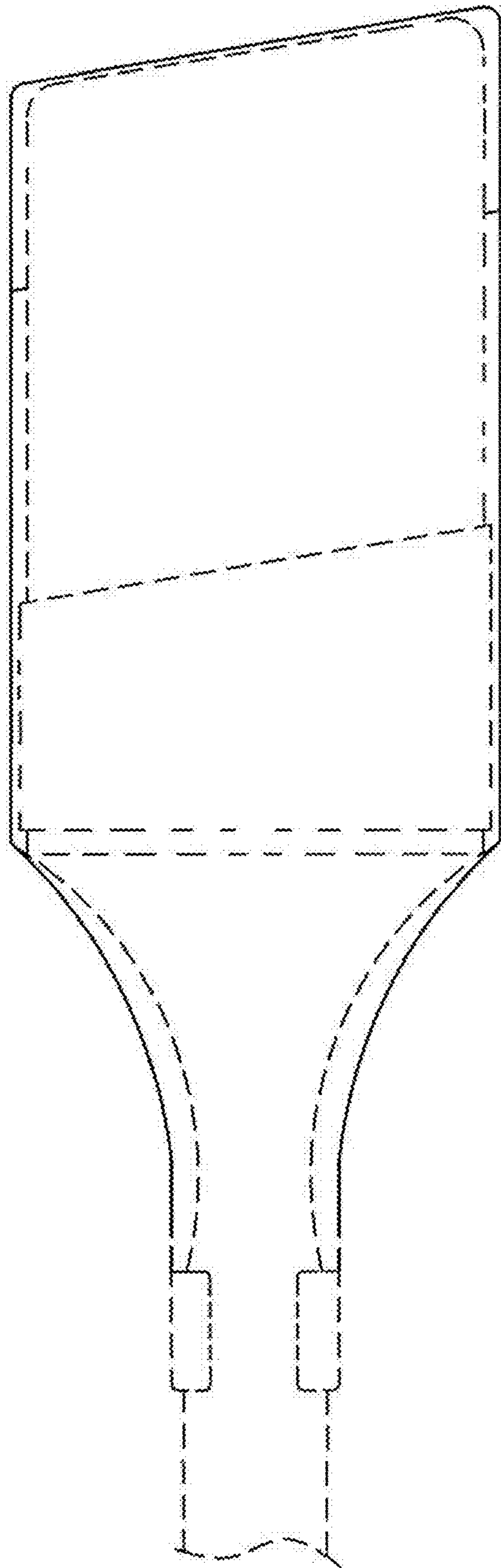


FIG.7

