



US00D847446S

(12) **United States Design Patent**
Genoa et al.

(10) **Patent No.:** **US D847,446 S**
(45) **Date of Patent:** **** Apr. 30, 2019**

(54) **CYLINDER FOR A BACKPACK VACUUM**

(71) Applicants: **Mark Genoa**, Dix Hills, NY (US);
Scott Genoa, Merrick, NY (US)

(72) Inventors: **Mark Genoa**, Dix Hills, NY (US);
Scott Genoa, Merrick, NY (US)

(**) Term: **15 Years**

(21) Appl. No.: **29/615,007**

(22) Filed: **Aug. 24, 2017**

Related U.S. Application Data

(63) Continuation of application No. 29/534,188, filed on Jul. 27, 2015.

(51) **LOC (11) Cl.** **15-05**

(52) **U.S. Cl.**
USPC **D32/21**

(58) **Field of Classification Search**
USPC D32/17-18, 21-22, 31, 34
CPC A47L 5/24; A47L 5/28; A47L 5/34; A47L 5/362; A47L 5/36; A47L 11/34; A47L 9/325; A47L 9/20; A47L 9/02; A47L 9/32; A47L 9/322; A47L 9/327; A47L 7/0038

See application file for complete search history.

(56) **References Cited**

U.S. PATENT DOCUMENTS

5,267,371	A *	12/1993	Soler	A47L 5/36
					15/327.5
D398,426	S *	9/1998	Bisson	D32/21
D446,365	S *	8/2001	Bisson	D32/21
D459,039	S *	6/2002	Bisson	D32/21
6,553,610	B1 *	4/2003	Shideler	A47L 5/36
					15/327.5
D518,927	S *	4/2006	Rupp	D32/21
D521,695	S *	5/2006	Jacobs	D32/21

D572,420	S *	7/2008	Genoa	D32/21
D581,113	S *	11/2008	Hoshino	D32/21
D599,063	S *	8/2009	Catron	D32/21
D601,314	S *	9/2009	Catron	D32/21
D637,775	S *	5/2011	Penrow	D32/21
8,152,602	B2 *	4/2012	Guth	B23Q 11/0046
					15/327.5
D680,284	S *	4/2013	Bilger	D32/21
D686,789	S *	7/2013	Bisson	D32/21
D696,479	S *	12/2013	Wiggins	D32/21
D726,978	S *	4/2015	Tomasiak	D32/21
2006/0005346	A1 *	1/2006	Rupp	A47L 5/36
					15/327.5
2007/0174992	A1 *	8/2007	Murray	A47L 9/0081
					15/326
2007/0209140	A1 *	9/2007	Clarke	A47L 5/225
					15/327.5
2007/0209141	A1 *	9/2007	Hare	A47L 5/36
					15/327.5
2007/0292749	A1 *	12/2007	Coombs	A47L 5/36
					429/96

(Continued)

Primary Examiner — Ruth McInroy

(74) *Attorney, Agent, or Firm* — Law Office of Gerard F. Dunne; Gerard Dunne

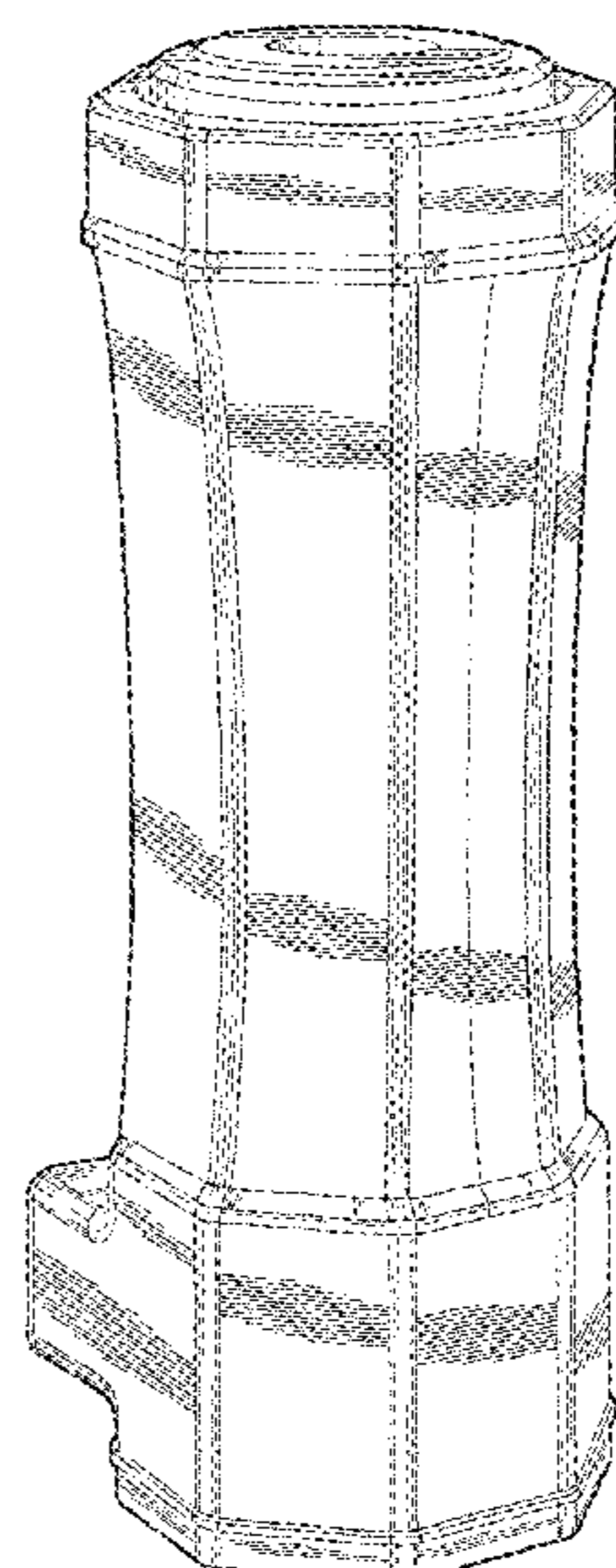
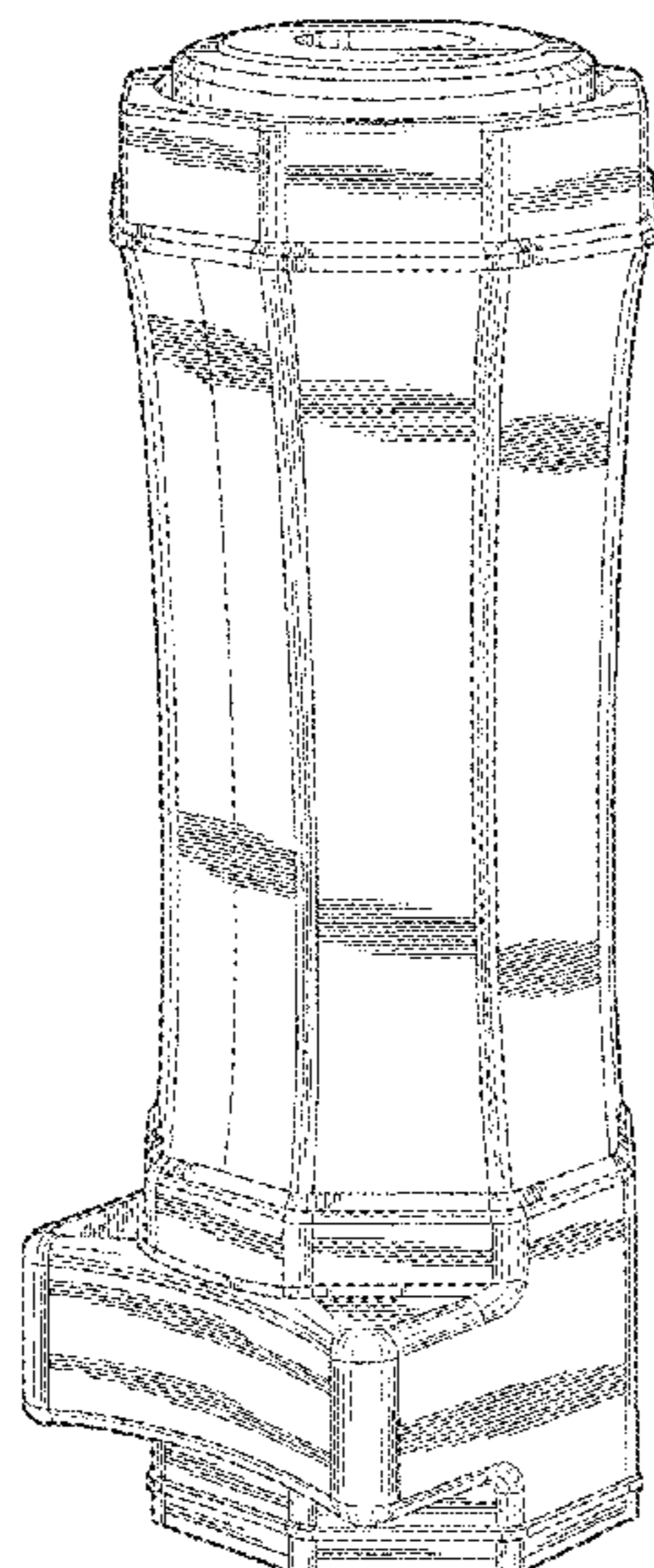
(57) **CLAIM**

The ornamental design for a cylinder for a backpack vacuum, as shown and described.

DESCRIPTION

FIG. 1 is a top view of a cylinder for a backpack vacuum showing our new design;
FIG. 2 is a front elevation view thereof;
FIG. 3 is a right side elevation view thereof;
FIG. 4 is a rear elevation view thereof;
FIG. 5 is a left side elevation view thereof;
FIG. 6 is a bottom view thereof;
FIG. 7 is a front-right perspective view thereof; and,
FIG. 8 is a rear-left perspective view thereof.

1 Claim, 8 Drawing Sheets



(56)

References Cited

U.S. PATENT DOCUMENTS

2014/0096339 A1* 4/2014 Niederman A47L 5/36
15/327.5
2015/0020345 A1* 1/2015 Day A47L 5/24
15/347
2015/0047146 A1* 2/2015 Tomasiak A47L 5/365
15/347
2015/0327352 A1* 11/2015 Kikuchi E01H 1/0809
417/364

* cited by examiner

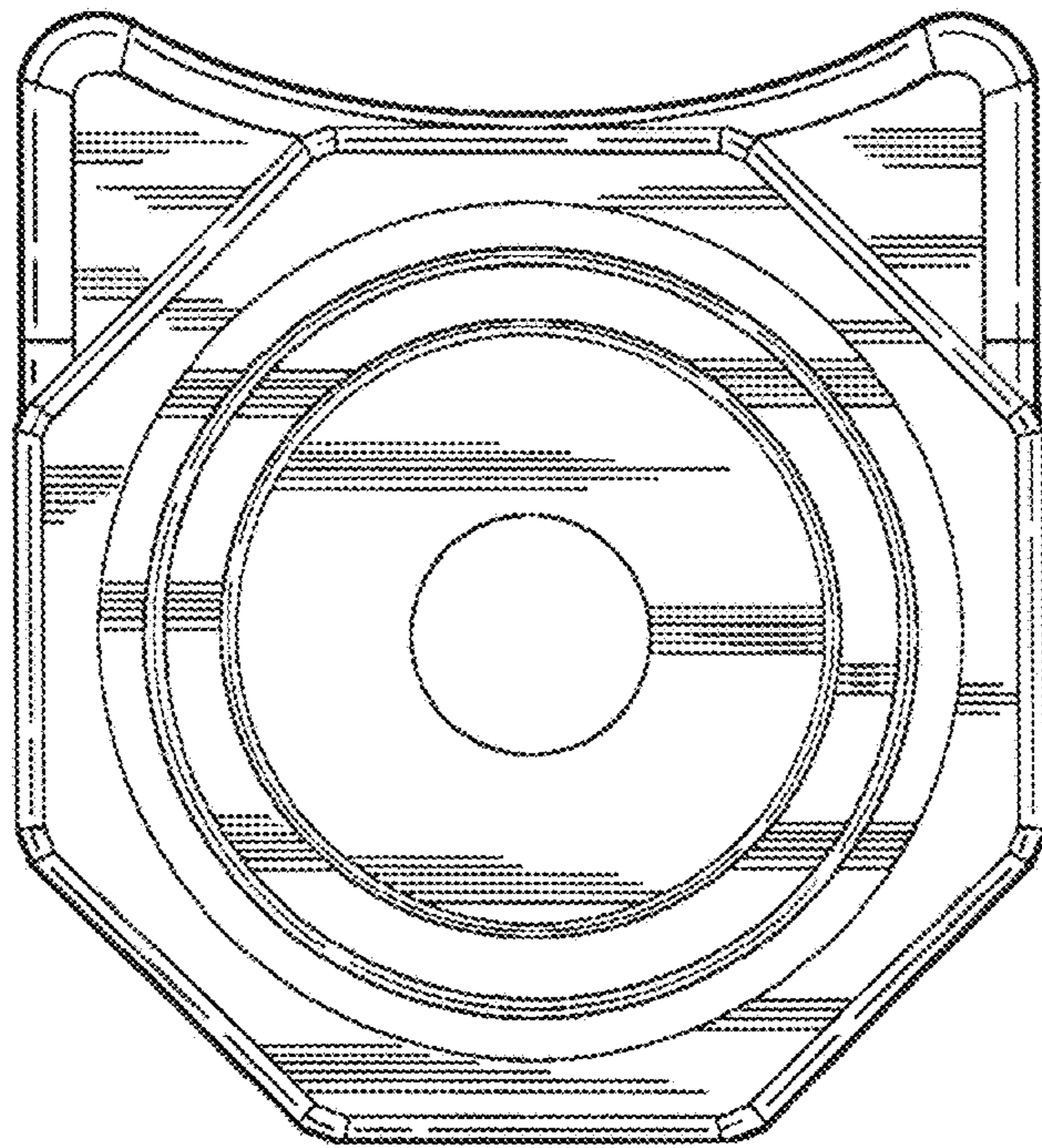


Fig. 1

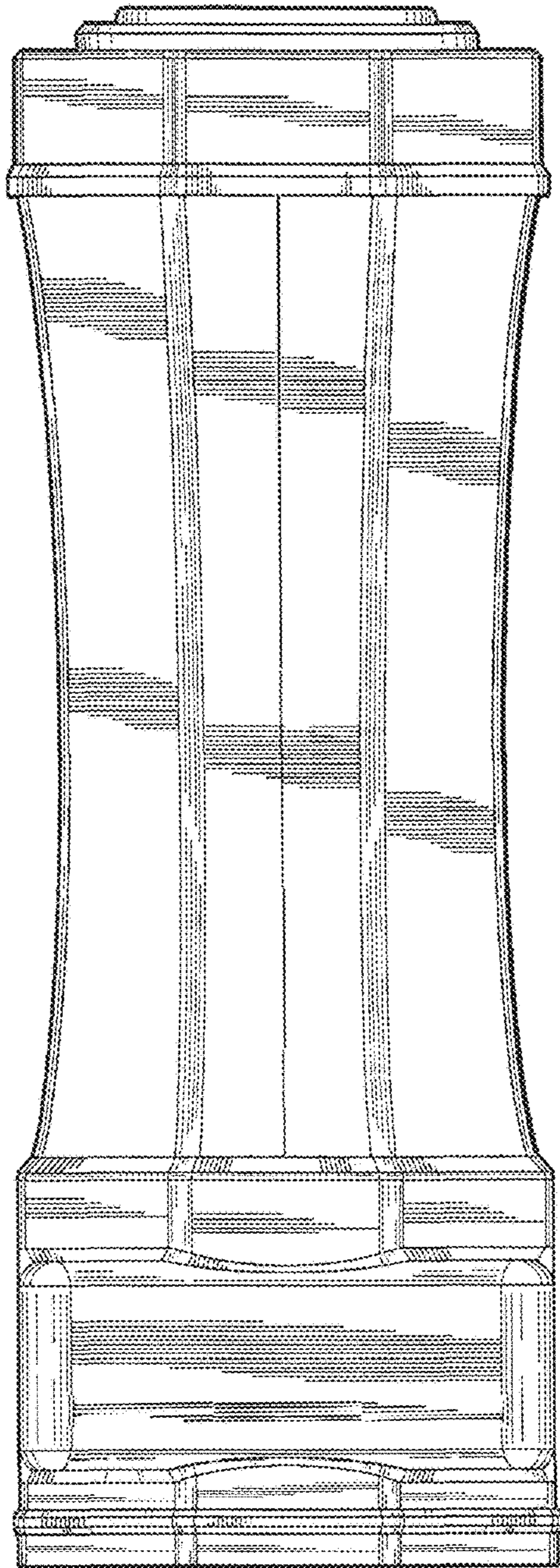


Fig.2

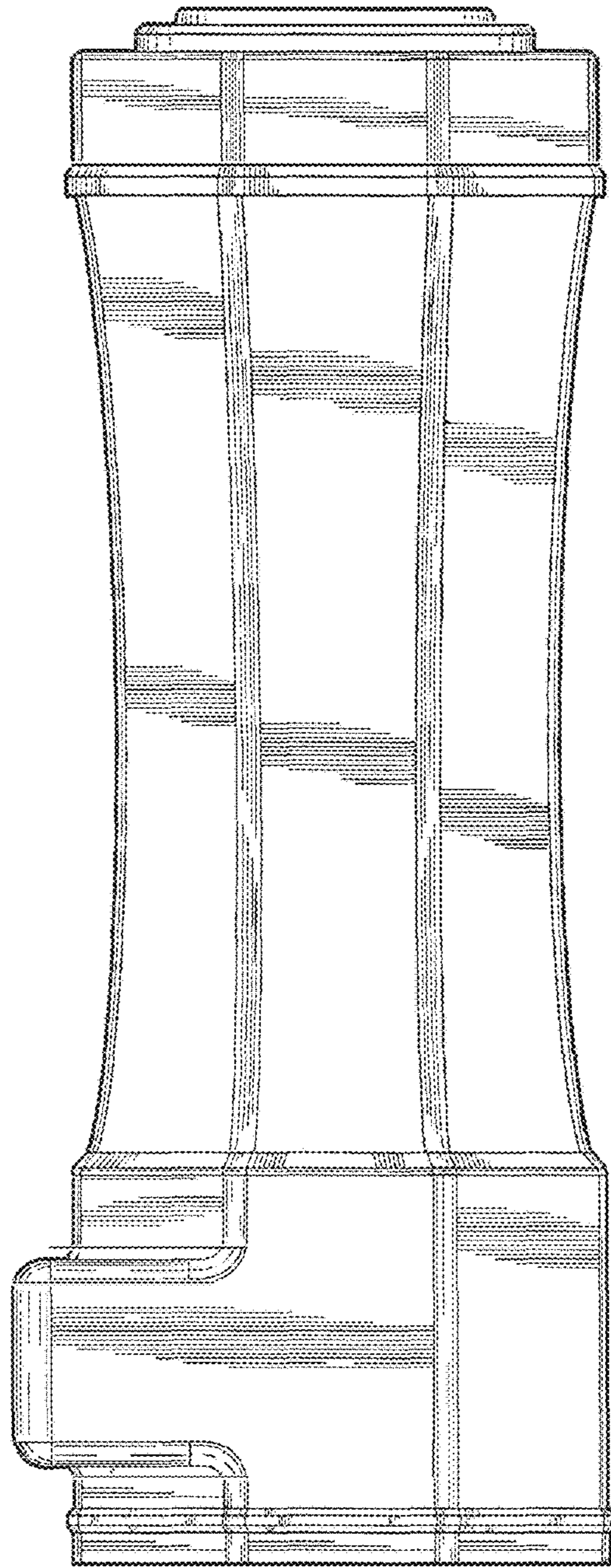


Fig.3

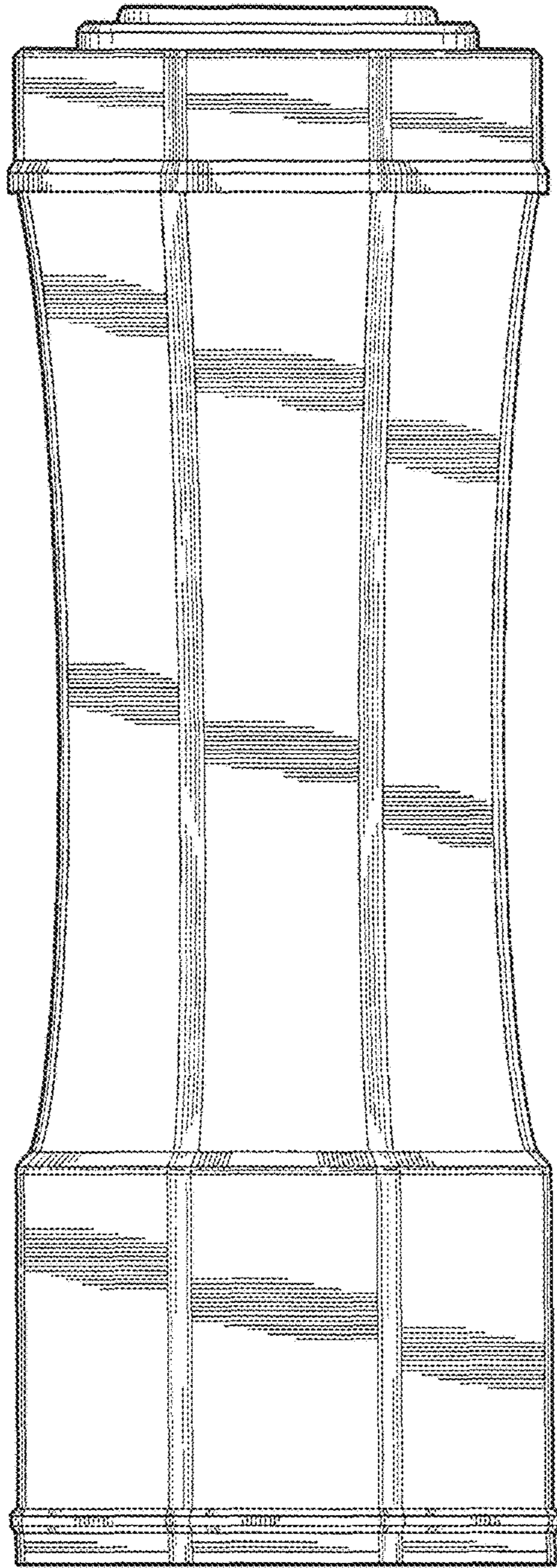


Fig.4

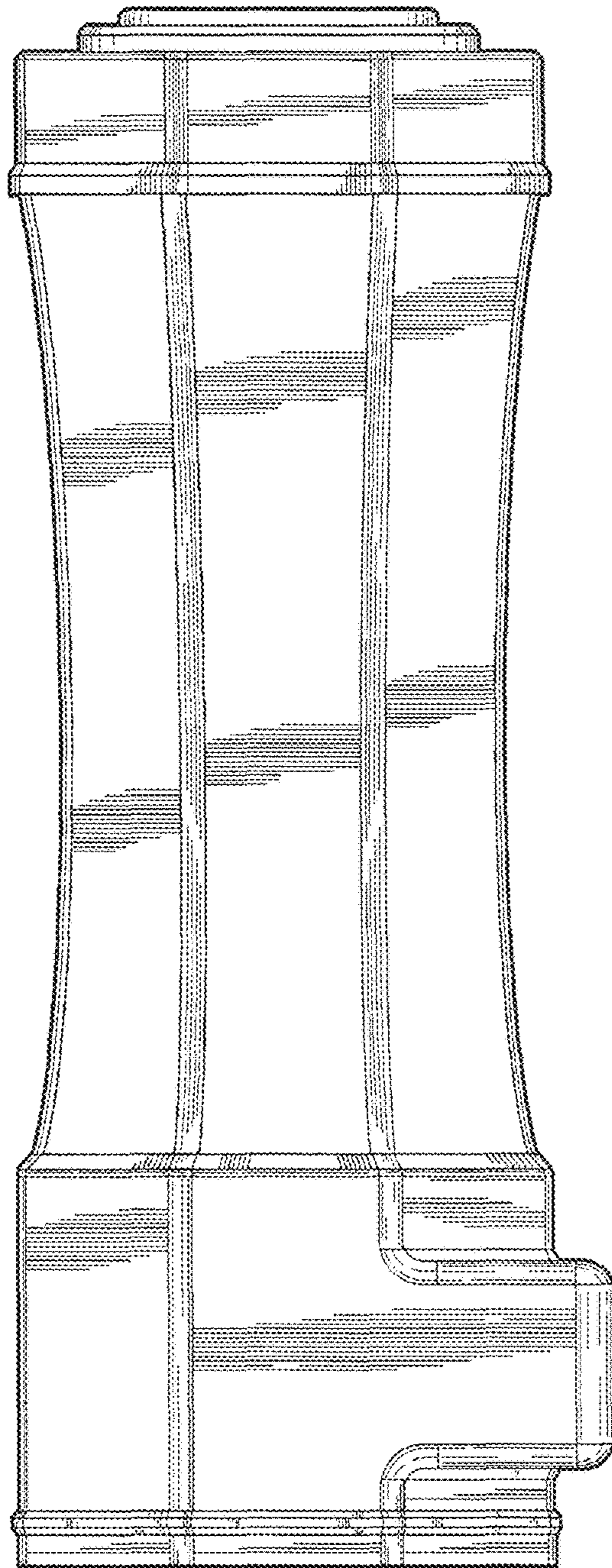


Fig.5

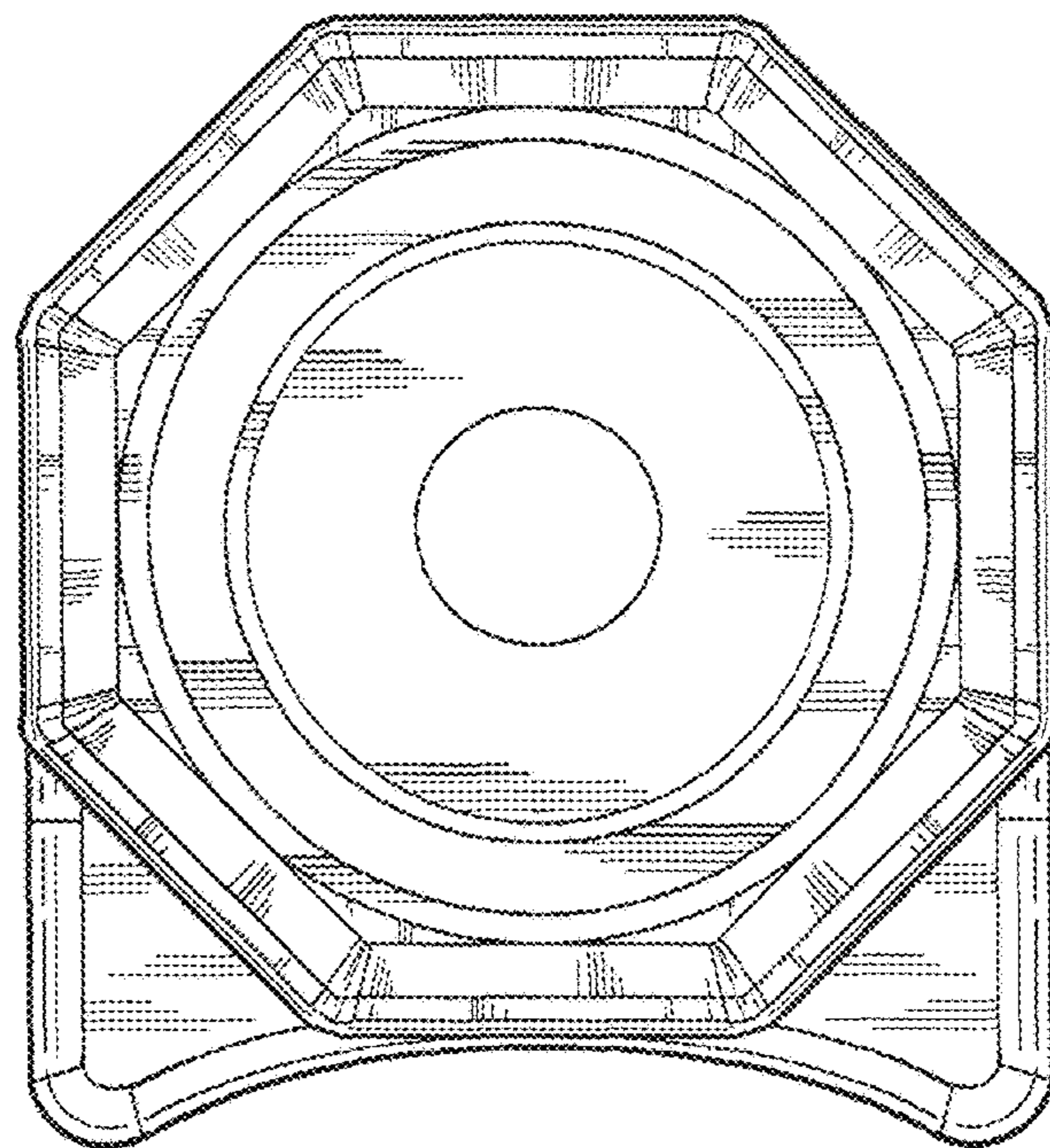


Fig. 6

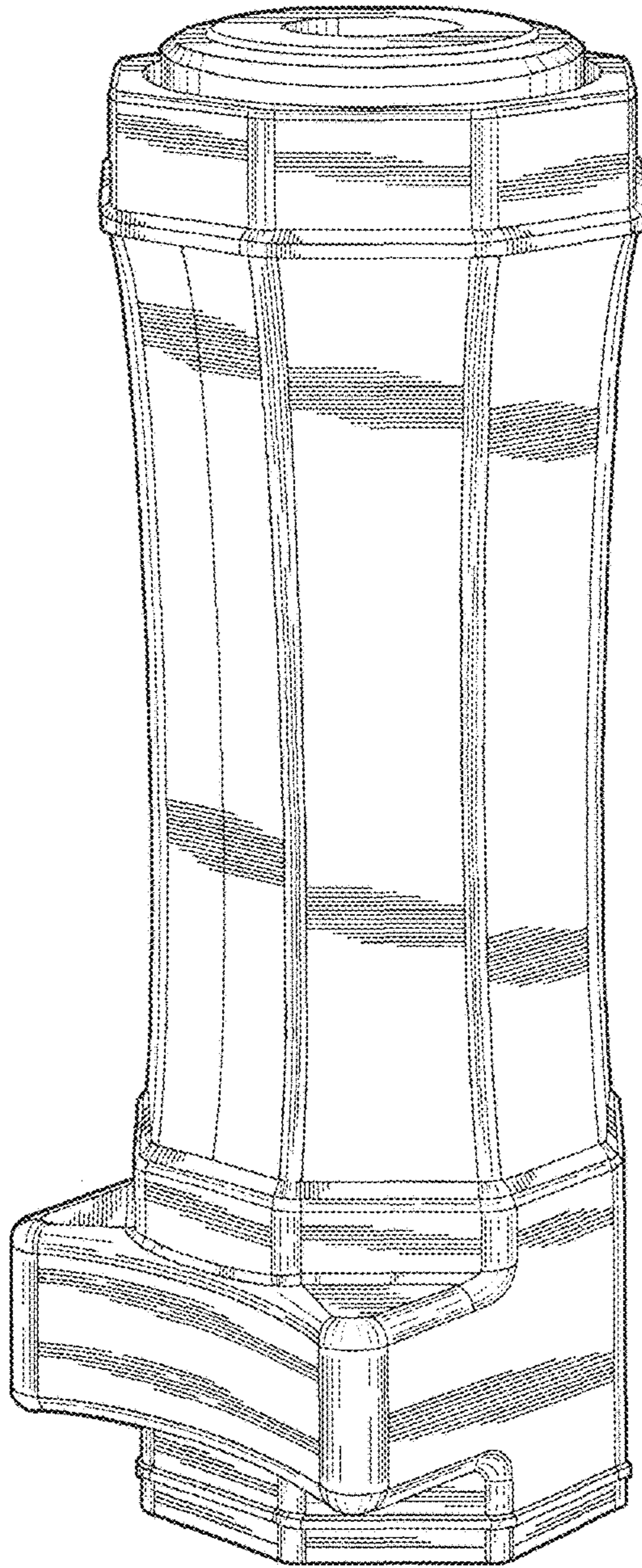


Fig. 7

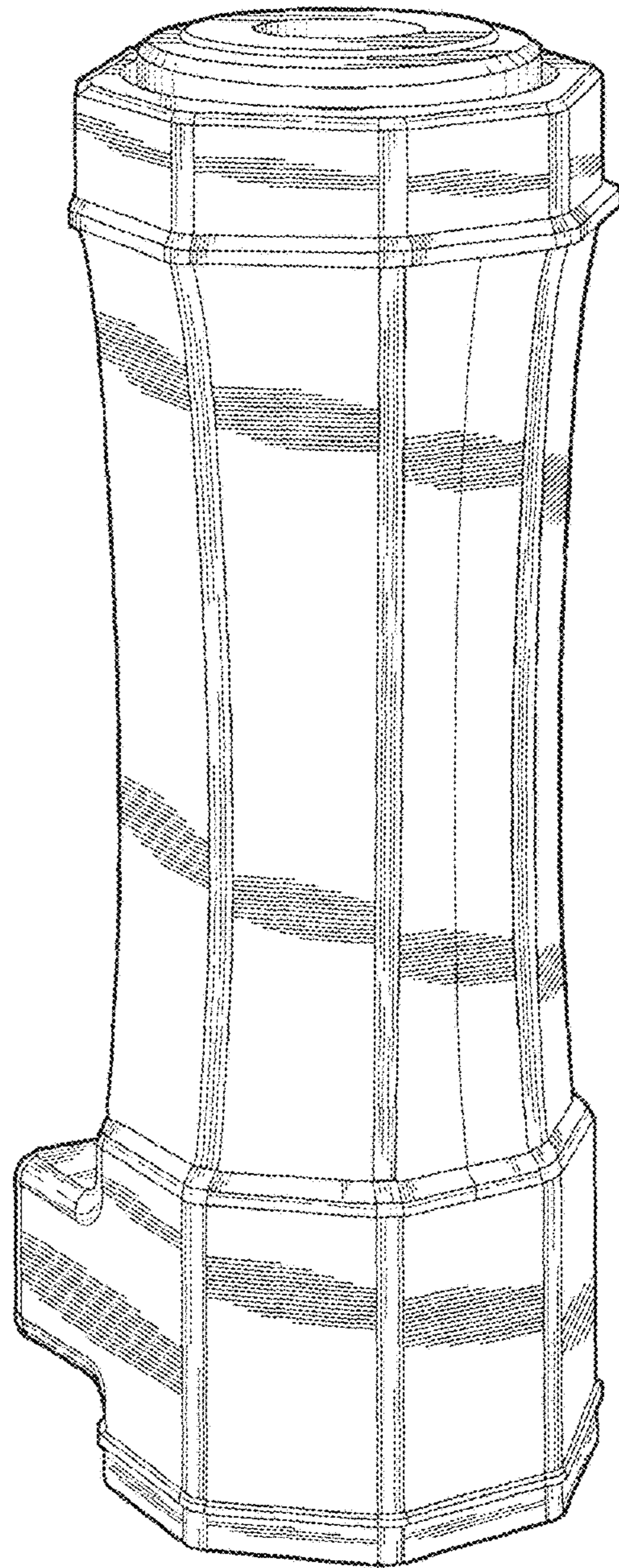


Fig. 8