



US00D847444S

(12) **United States Design Patent** (10) **Patent No.:** **US D847,444 S**
Ayers et al. (45) **Date of Patent:** **** Apr. 30, 2019**

(54) **WASHING MACHINE**
(71) Applicant: **WHIRLPOOL CORPORATION**,
Benton Harbor, MI (US)
(72) Inventors: **Kevin B. Ayers**, St. Joseph, MI (US);
Michael R. Mackay, St. Joseph, MI
(US)
(73) Assignee: **Whirlpool Corporation**, Benton
Harbor, MI (US)
(**) Term: **15 Years**
(21) Appl. No.: **29/557,500**
(22) Filed: **Mar. 9, 2016**
(51) **LOC (11) Cl.** **15-05**
(52) **U.S. Cl.**
USPC **D32/6**
(58) **Field of Classification Search**
USPC D32/6, 1, 5, 8, 10, 29, 29.1, 28;
68/171-174, 212
CPC D06F 21/00; D06F 21/06; D06F 21/08;
D06F 27/00; D06F 37/00; D06F 37/02;
D06F 37/06; D06F 37/12; D06F 37/14;
D06F 39/00; D06F 21/12; D06F 21/14;
D06F 23/04; D06F 25/00
See application file for complete search history.

D521,197 S 5/2006 Kim et al.
D524,494 S * 7/2006 Kim D32/9
D527,150 S 8/2006 Jun
D527,853 S 9/2006 Carey et al.
D532,941 S 11/2006 Carey et al.
D538,488 S 3/2007 Carey et al.
D542,487 S 5/2007 Jun
D554,307 S 10/2007 Kim
(Continued)

Primary Examiner — Susan Bennett Hattan
Assistant Examiner — Rebecca Tsehaye
(74) *Attorney, Agent, or Firm* — Price Heneveld LLP

(57) **CLAIM**

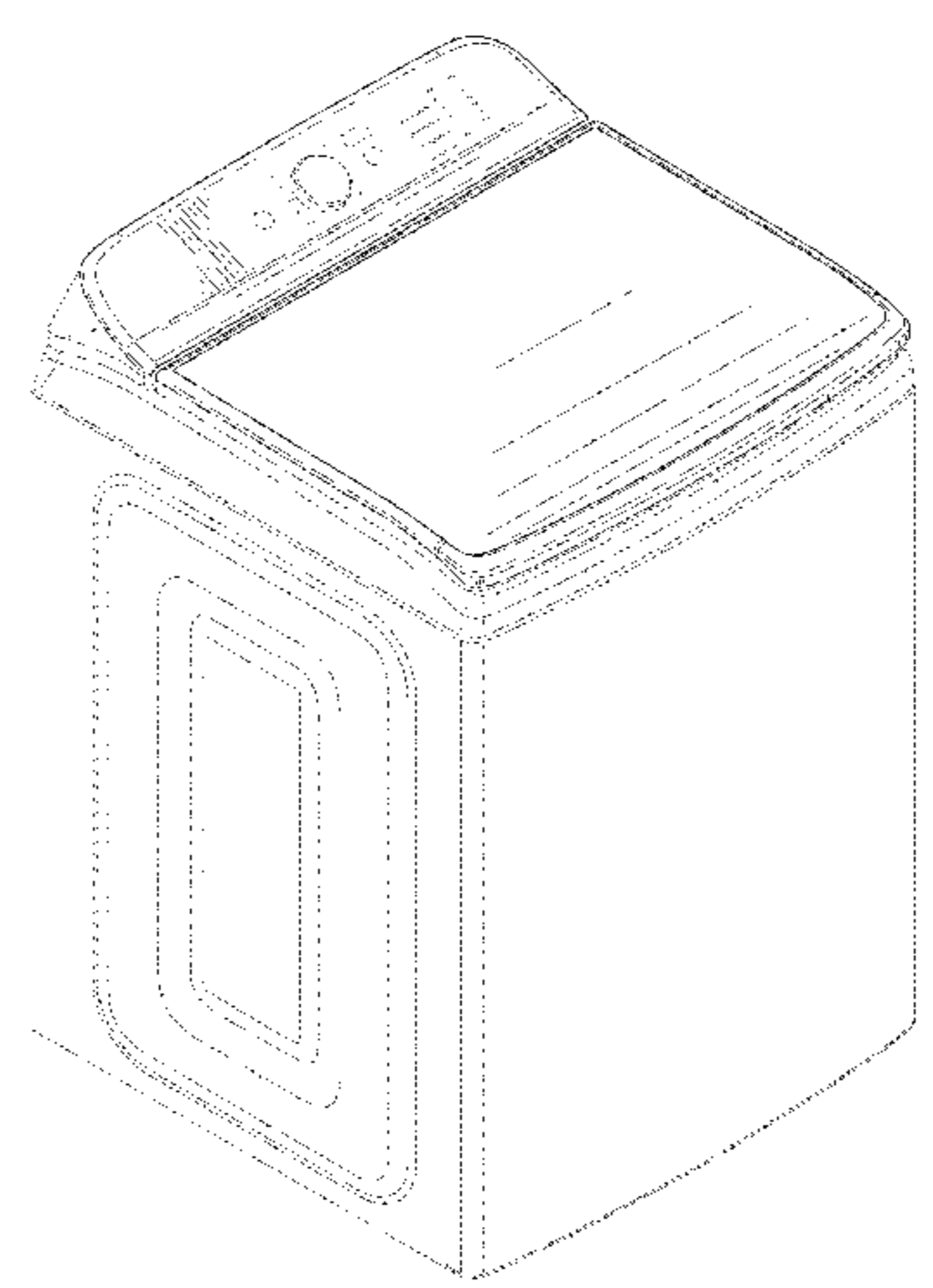
The ornamental design for a washing machine, as shown and described.

DESCRIPTION

FIG. 1 is a front perspective view of a washing machine according to our design in a closed configuration thereof; FIG. 2 is a front elevation view thereof; FIG. 3 is a rear elevation view thereof; FIG. 4 is a left side elevation view thereof; FIG. 5 is a right side elevation view thereof; FIG. 6 is a top plan view thereof; FIG. 7 is a bottom plan view thereof; FIG. 8 is a front perspective view of a washing machine according our design in an open configuration thereof; FIG. 9 is a front elevation view thereof; FIG. 10 is a rear elevation view thereof; FIG. 11 is a left side elevation view thereof; FIG. 12 is a right side elevation view thereof; FIG. 13 is a top plan view thereof; and, FIG. 14 is a bottom plan view thereof. The broken line showing of various features is for the purpose of illustrating unclaimed portions of the washing machine and forms no part of the claimed design. Dash-dot lines adjacent un-shaded areas represent bounds of the claimed design and form no part thereof.

1 Claim, 14 Drawing Sheets

(56) **References Cited**
U.S. PATENT DOCUMENTS
4,307,588 A 12/1981 Smith et al.
4,429,817 A 2/1984 Ikeda
D359,602 S 6/1995 Swartz et al.
D360,500 S 7/1995 Millet et al.
6,216,498 B1 4/2001 Wright et al.
D465,308 S * 11/2002 Resuello D32/6
D484,652 S 12/2003 Clark et al.
D491,324 S 6/2004 Kim et al.
D492,073 S 6/2004 Sneddon
D496,507 S 9/2004 Johnson et al.



(56)

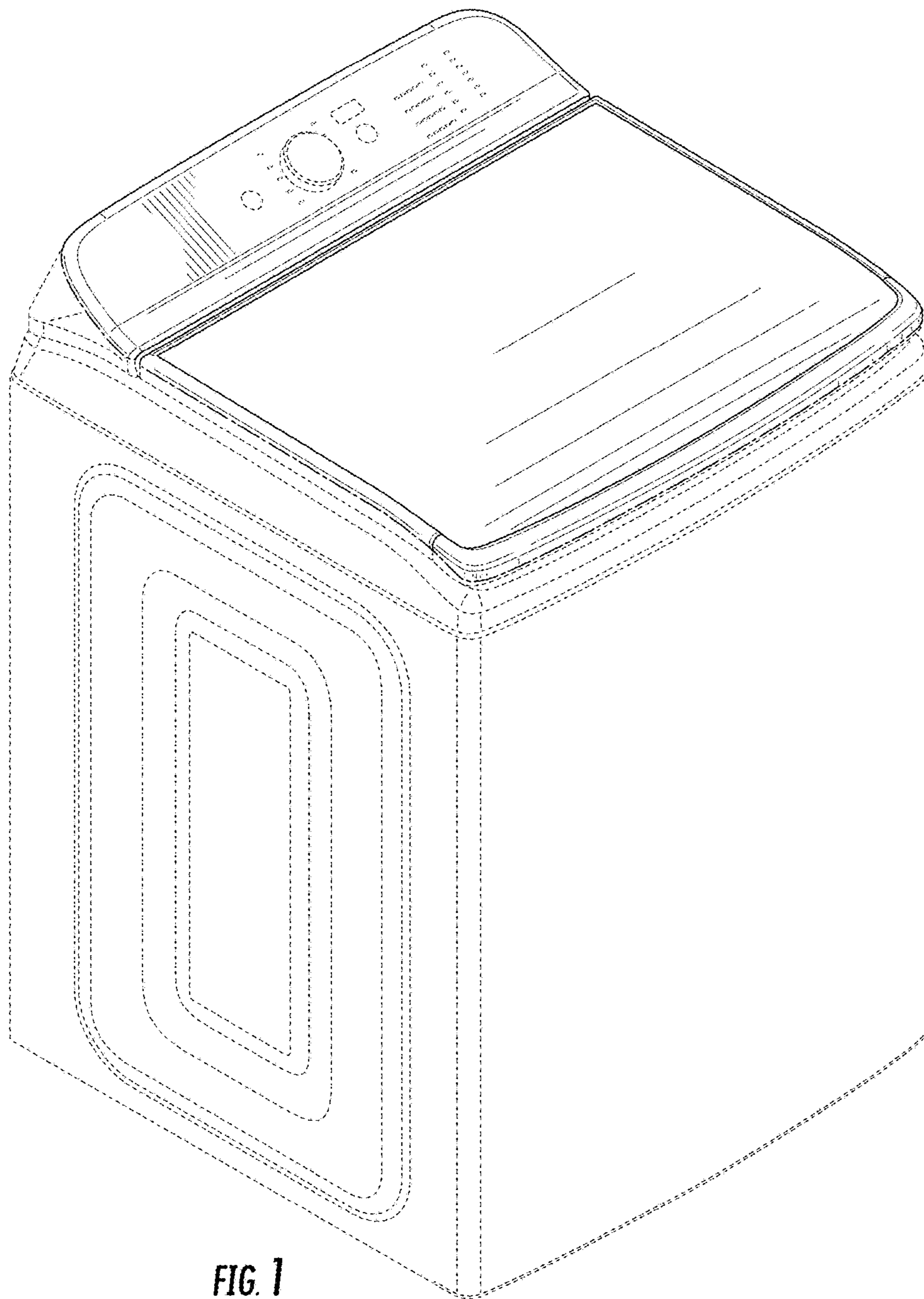
References Cited

U.S. PATENT DOCUMENTS

D556,394 S 11/2007 Kim
 D571,964 S * 6/2008 Kim D32/6
 D575,012 S 8/2008 Rossetto et al.
 D575,464 S 8/2008 Rossetto et al.
 D589,215 S 3/2009 Cho et al.
 D618,865 S 6/2010 Cline et al.
 D619,314 S 7/2010 Bixby et al.
 D620,656 S 7/2010 Bixby et al.
 D621,563 S 8/2010 Bixby et al.
 D627,115 S 11/2010 Jeon et al.
 D630,807 S 1/2011 Song et al.
 D631,215 S 1/2011 Song et al.
 D631,623 S 1/2011 Chung et al.
 D632,033 S 2/2011 Song et al.
 D633,261 S 2/2011 Song et al.
 D648,084 S 11/2011 Browne et al.
 D648,085 S 11/2011 Miller et al.
 D648,497 S 11/2011 Bhattacharya
 D654,640 S 2/2012 Song et al.
 D661,852 S 6/2012 Song et al.
 D679,462 S 4/2013 Zhang et al.
 D681,892 S 5/2013 Meda et al.
 8,511,115 B2 8/2013 Kim et al.
 D694,965 S 12/2013 Lee et al.
 D695,474 S 12/2013 Calmeise
 D697,680 S 1/2014 Hwang et al.
 D699,906 S 2/2014 Choi et al.
 D699,907 S 2/2014 Choi et al.
 D700,410 S 2/2014 Hwang et al.
 D701,656 S 3/2014 Choi et al.
 D701,659 S 3/2014 Choi
 D703,887 S 4/2014 Lee et al.
 D704,907 S 5/2014 Yoo et al.
 D705,508 S 5/2014 Calmeise
 D708,800 S 7/2014 Choi et al.
 D709,657 S 7/2014 Shin et al.
 D711,605 S 8/2014 Jo et al.
 8,820,861 B2 9/2014 Kim et al.
 D718,505 S 11/2014 Hyounsub et al.
 8,936,330 B2 1/2015 Kim et al.
 D729,467 S 5/2015 Jee et al.
 D729,998 S 5/2015 Jeon et al.
 D730,595 S * 5/2015 Jeong D32/6
 9,027,370 B2 * 5/2015 Leibman D06F 71/10
 68/12.18
 D733,372 S 6/2015 Song et al.

D733,375 S 6/2015 Uk et al.
 9,049,929 B2 6/2015 Kilgore et al.
 D739,096 S 9/2015 Qin et al.
 9,200,842 B2 12/2015 Hopkins
 D758,028 S * 5/2016 Bixby D32/25
 D758,029 S * 5/2016 Bixby D32/25
 D759,325 S 6/2016 Jeon et al.
 D760,454 S 6/2016 Joo et al.
 D760,967 S 7/2016 Joo et al.
 D761,502 S 7/2016 Joo et al.
 D761,503 S 7/2016 Choi et al.
 D762,021 S 7/2016 Qin et al.
 D762,025 S 7/2016 Joo et al.
 D764,121 S 8/2016 Choi et al.
 D772,505 S 11/2016 Bixby et al.
 D772,506 S 11/2016 Bixby et al.
 D793,012 S * 7/2017 Bixby D32/6
 D793,632 S * 8/2017 Ayers D32/6
 D797,387 S * 9/2017 Bixby D32/6
 D798,005 S * 9/2017 Bixby D32/6
 D798,006 S * 9/2017 Kang D32/6
 D798,510 S * 9/2017 Bixby D32/6
 D812,325 S * 3/2018 Bixby D32/8
 2003/0042654 A1 3/2003 Bienick et al.
 2004/0068951 A1 4/2004 Bienick et al.
 2004/0231370 A1 11/2004 Cheo et al.
 2005/0050925 A1 3/2005 Je et al.
 2006/0254323 A1 11/2006 Kim
 2006/0288742 A1 12/2006 Hapke et al.
 2009/0193678 A1 8/2009 Latack et al.
 2009/0229320 A1 9/2009 Yoo et al.
 2011/0050060 A1 3/2011 Kim et al.
 2011/0062837 A1 3/2011 Kim et al.
 2011/0089793 A1 4/2011 Kim et al.
 2011/0121694 A1 5/2011 Kim et al.
 2011/0296630 A1 12/2011 Frazer et al.
 2012/0327201 A1 12/2012 Kappler et al.
 2013/0193823 A1 8/2013 Cho et al.
 2013/0327101 A1 12/2013 Leibman et al.
 2014/0210324 A1 7/2014 Kilgore et al.
 2014/0373284 A1 12/2014 Leibman et al.
 2015/0123521 A1 5/2015 Lee et al.
 2015/0233039 A1 8/2015 Cho et al.
 2015/0233042 A1 8/2015 Kang et al.
 2015/0252508 A1 9/2015 Kim et al.
 2015/0292136 A1 10/2015 Leonard et al.
 2015/0345069 A1 12/2015 Leibman et al.
 2016/0010268 A1 1/2016 Hawboldt et al.

* cited by examiner



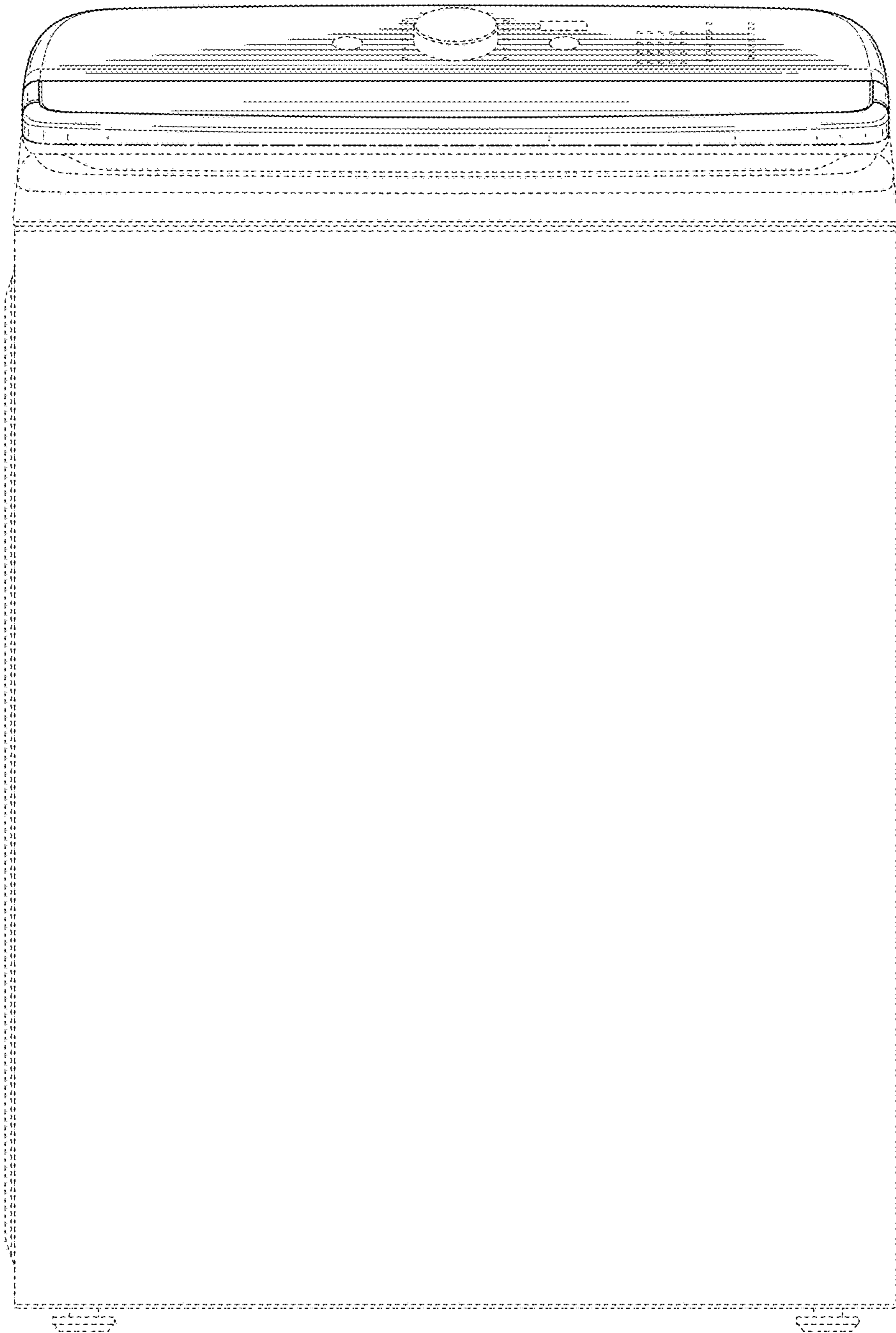


FIG. 2

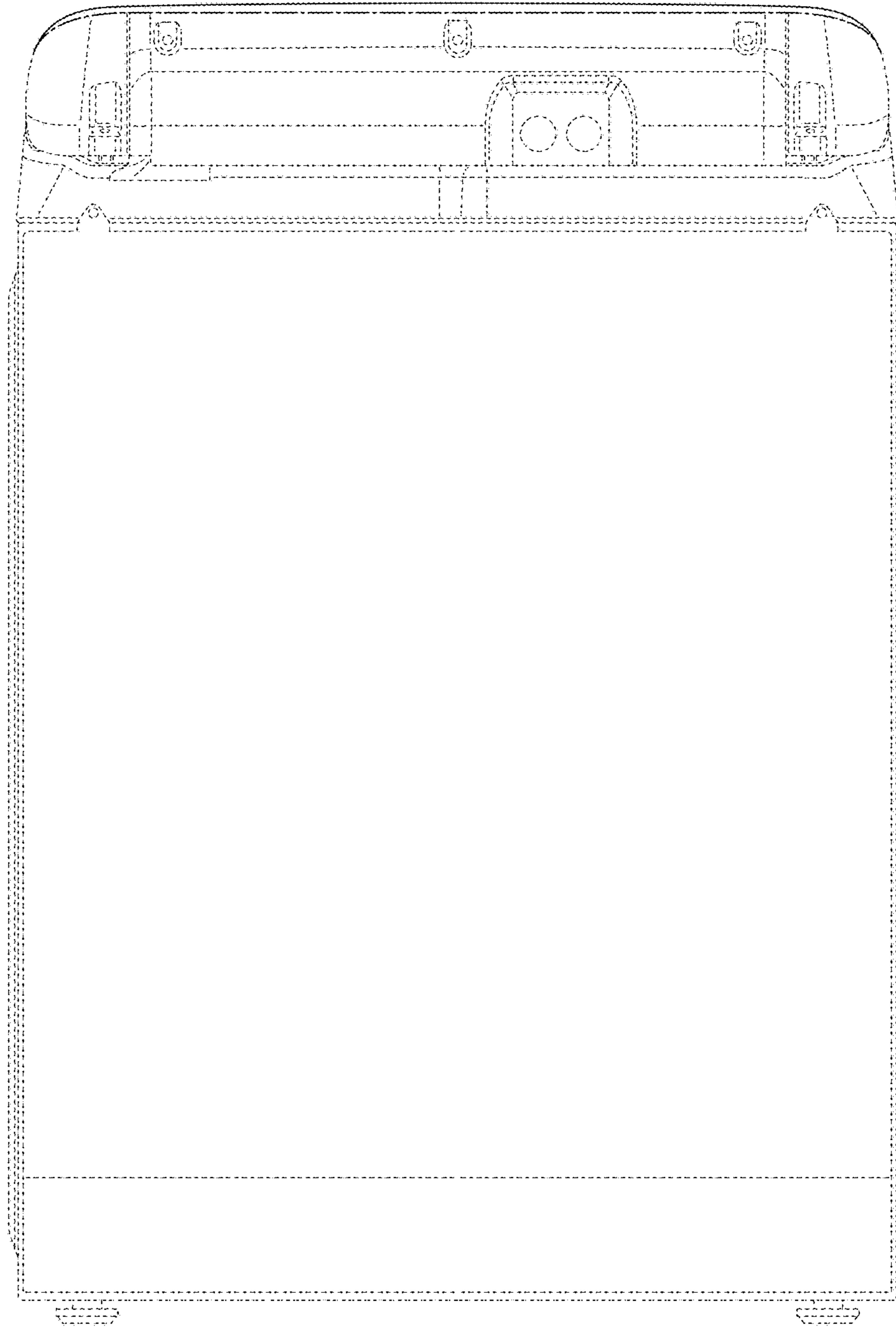


FIG. 3

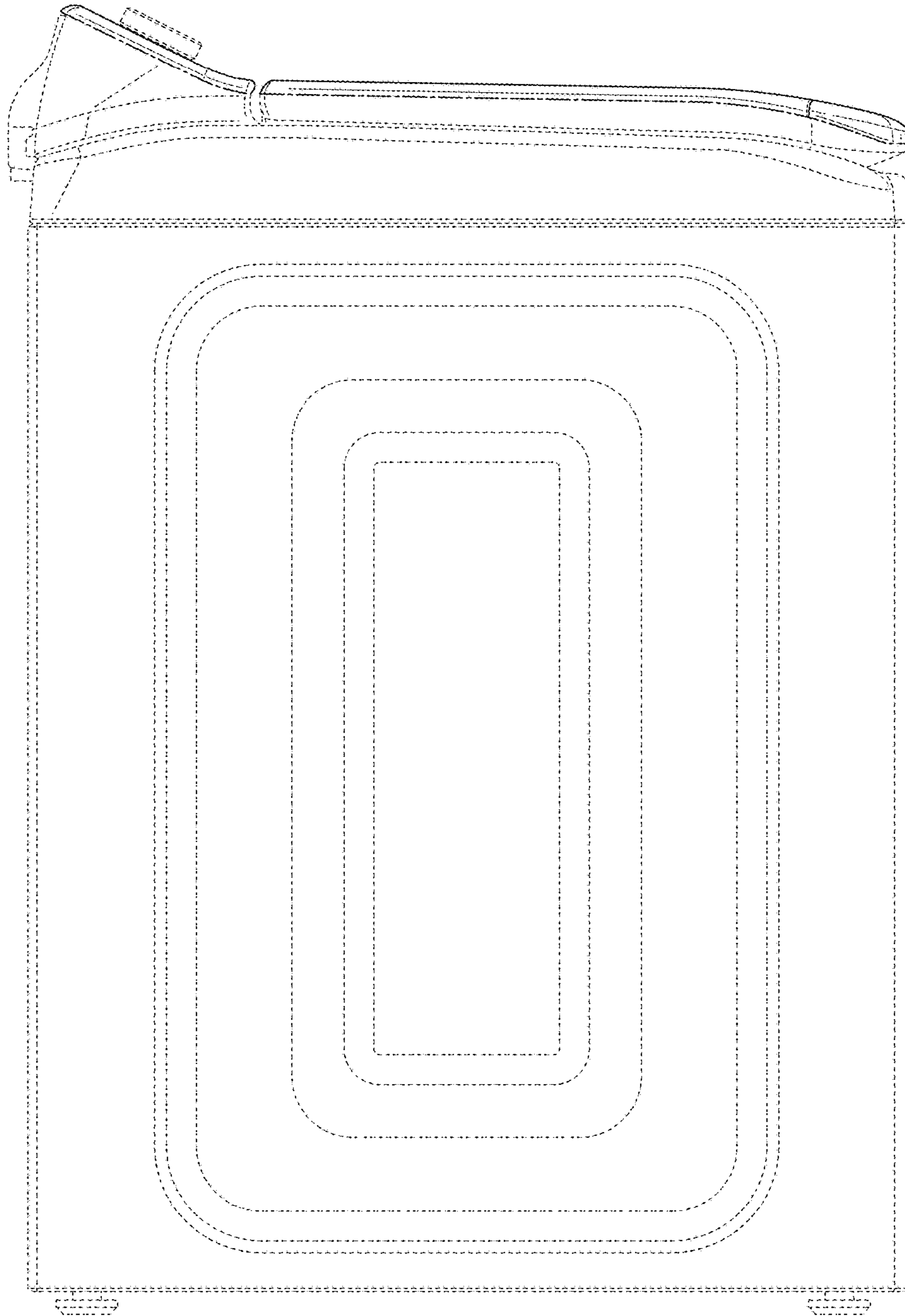


FIG. 4

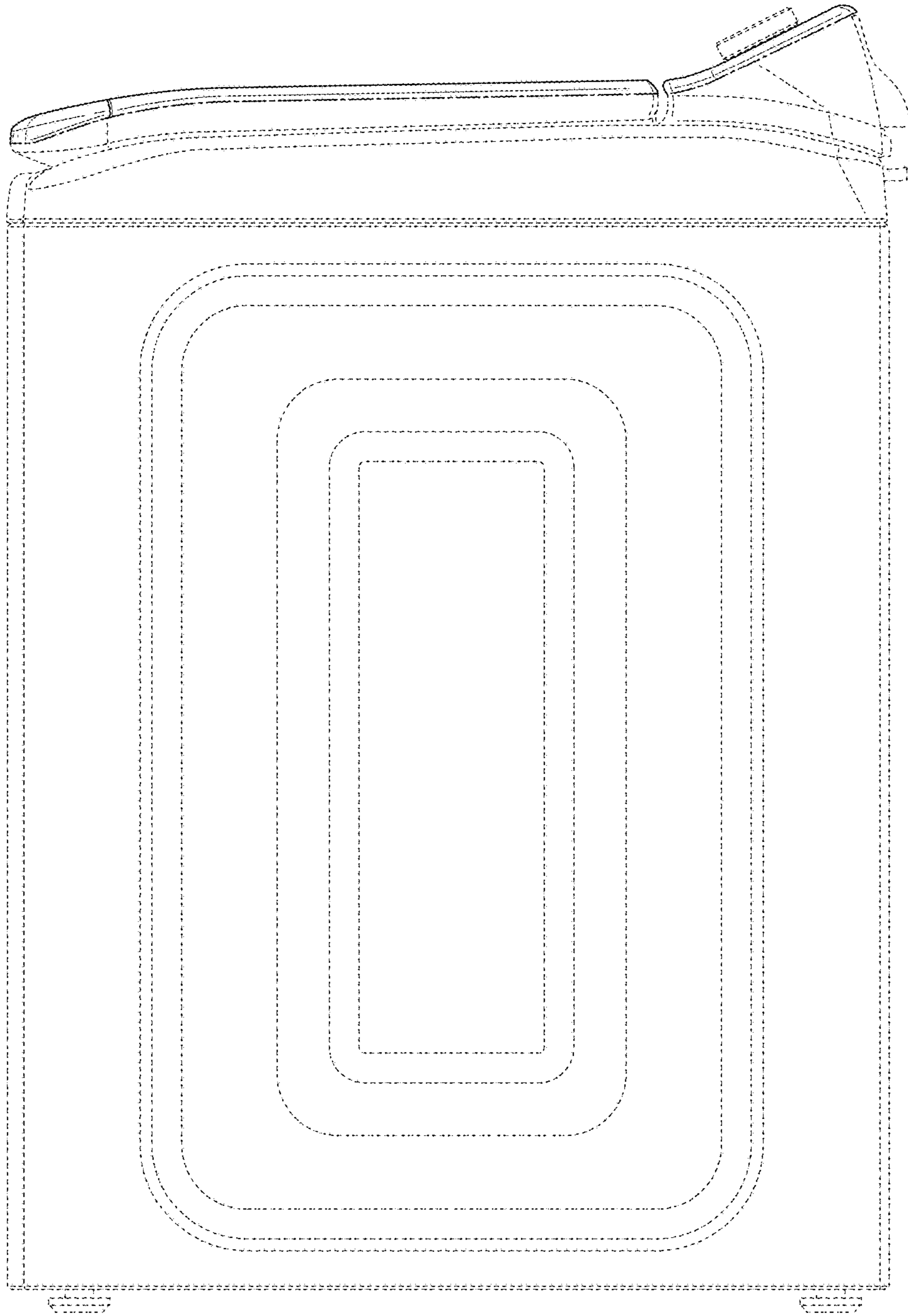


FIG. 5

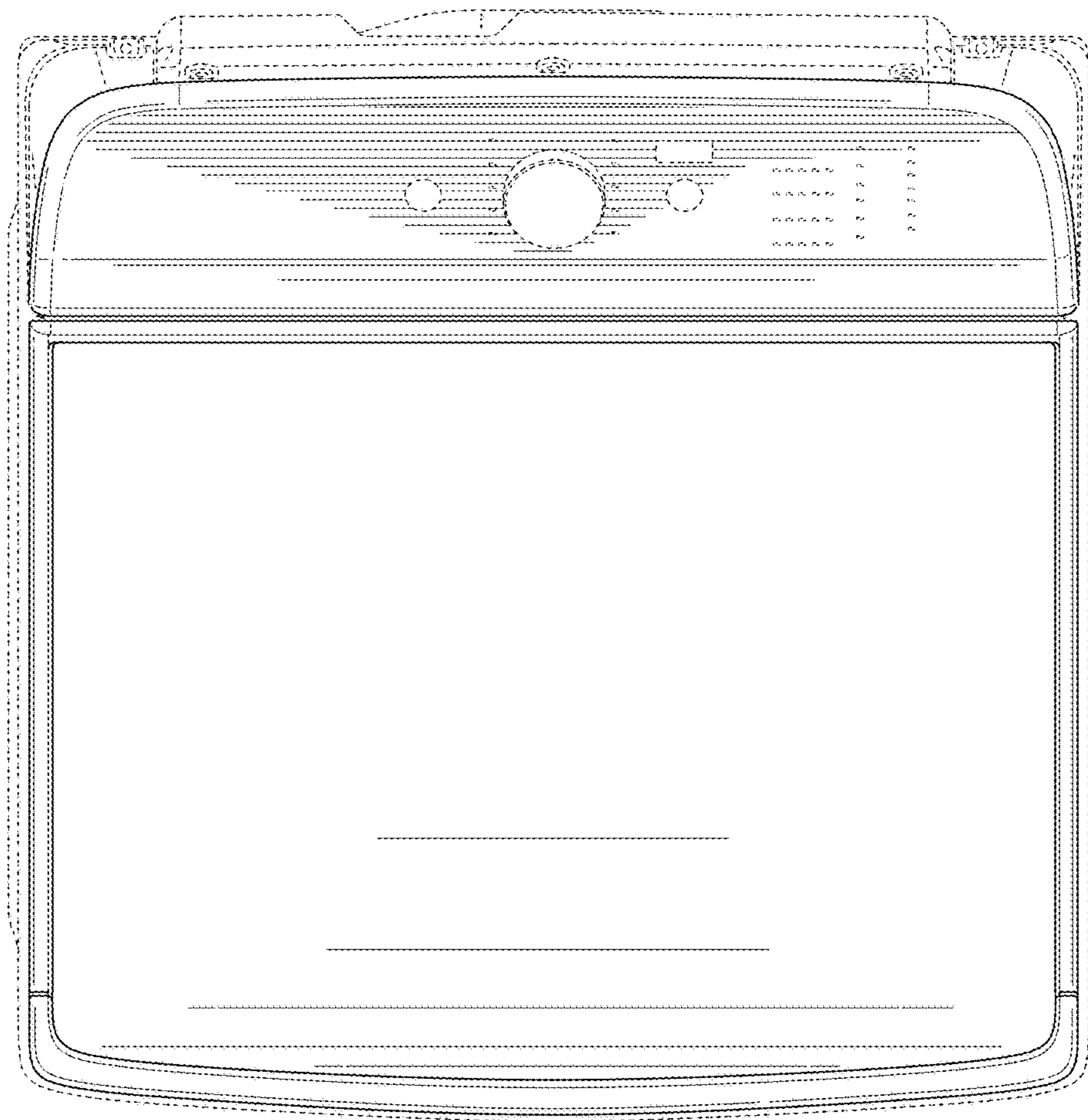


FIG. 6

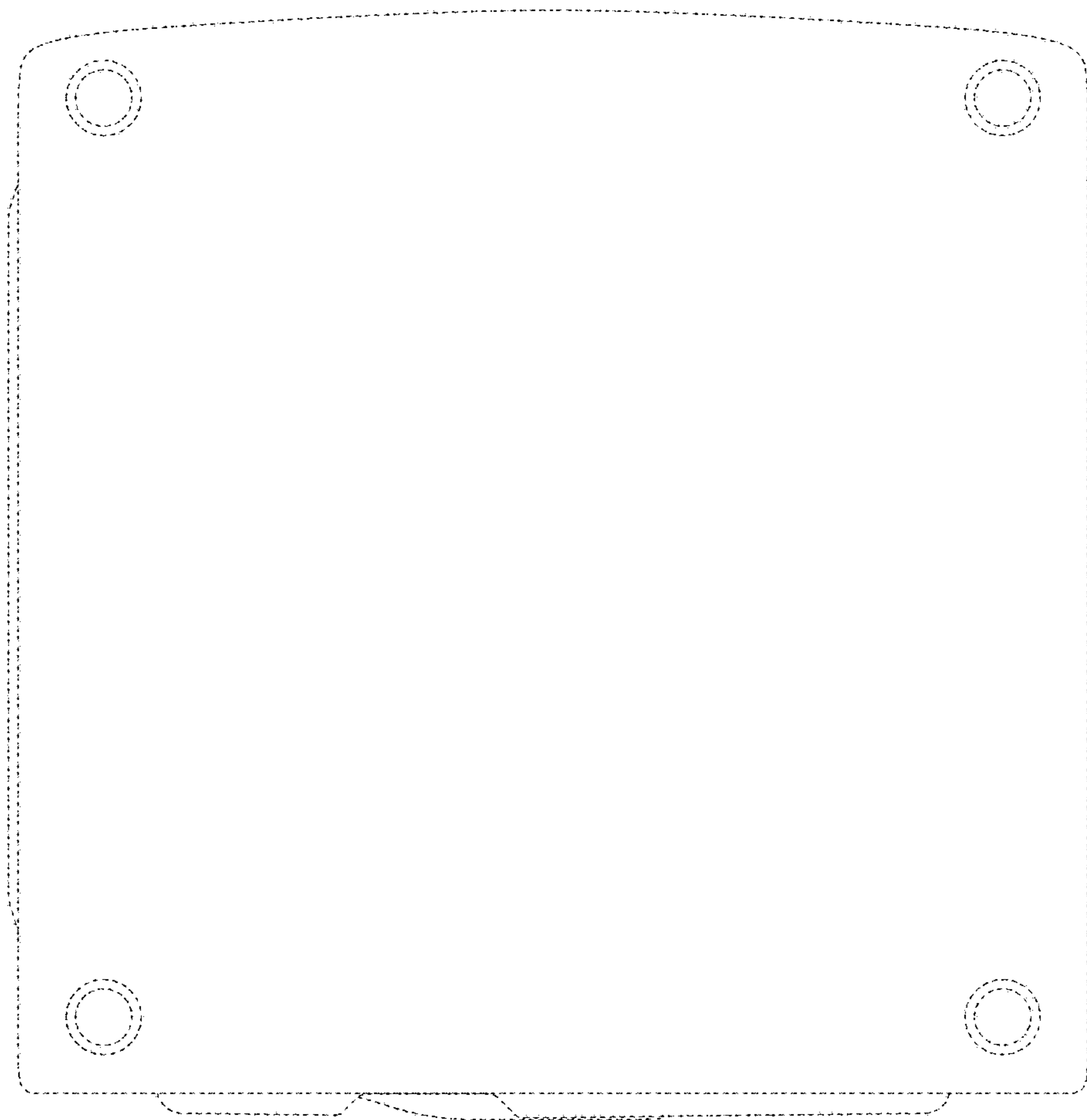


FIG. 7

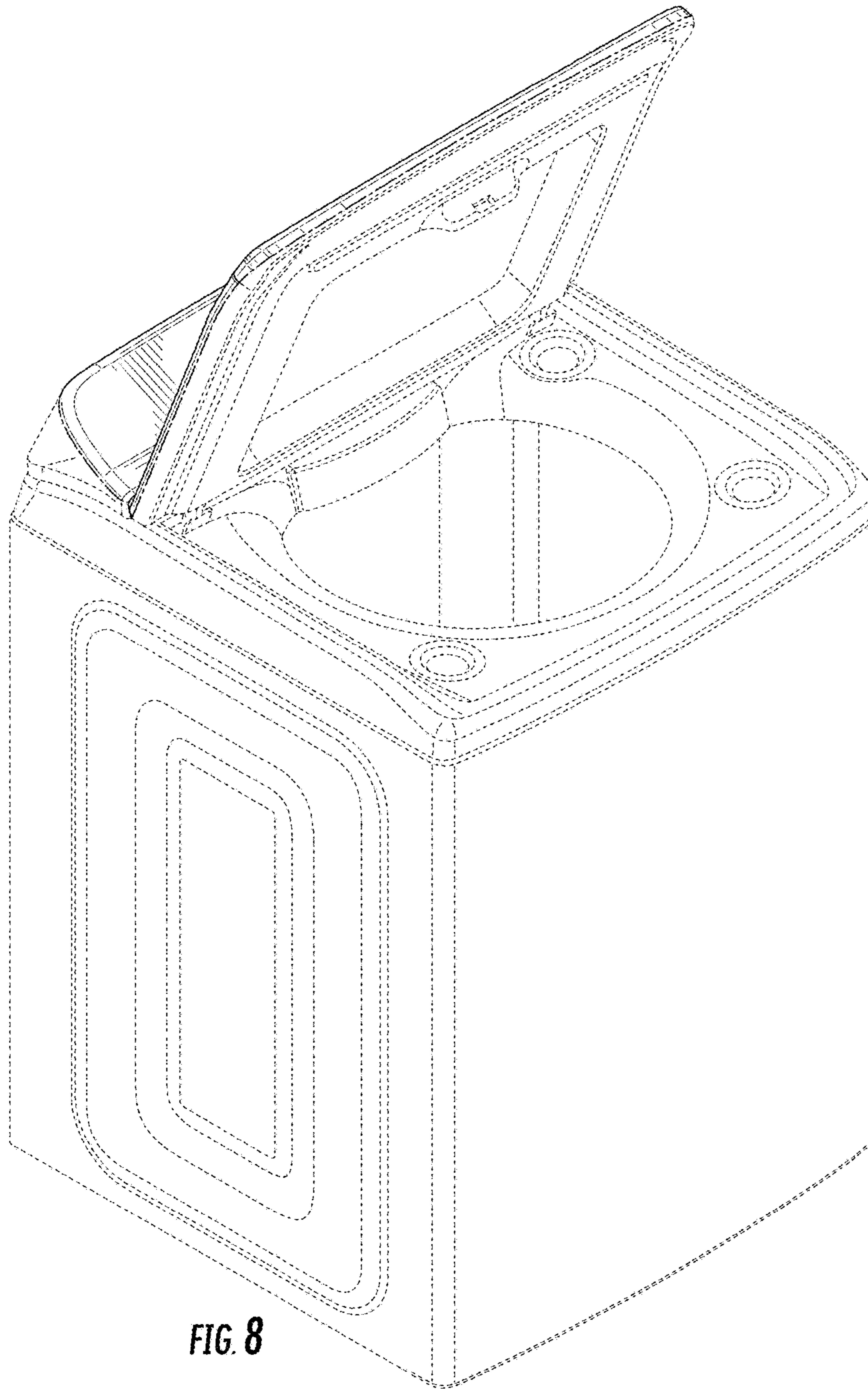
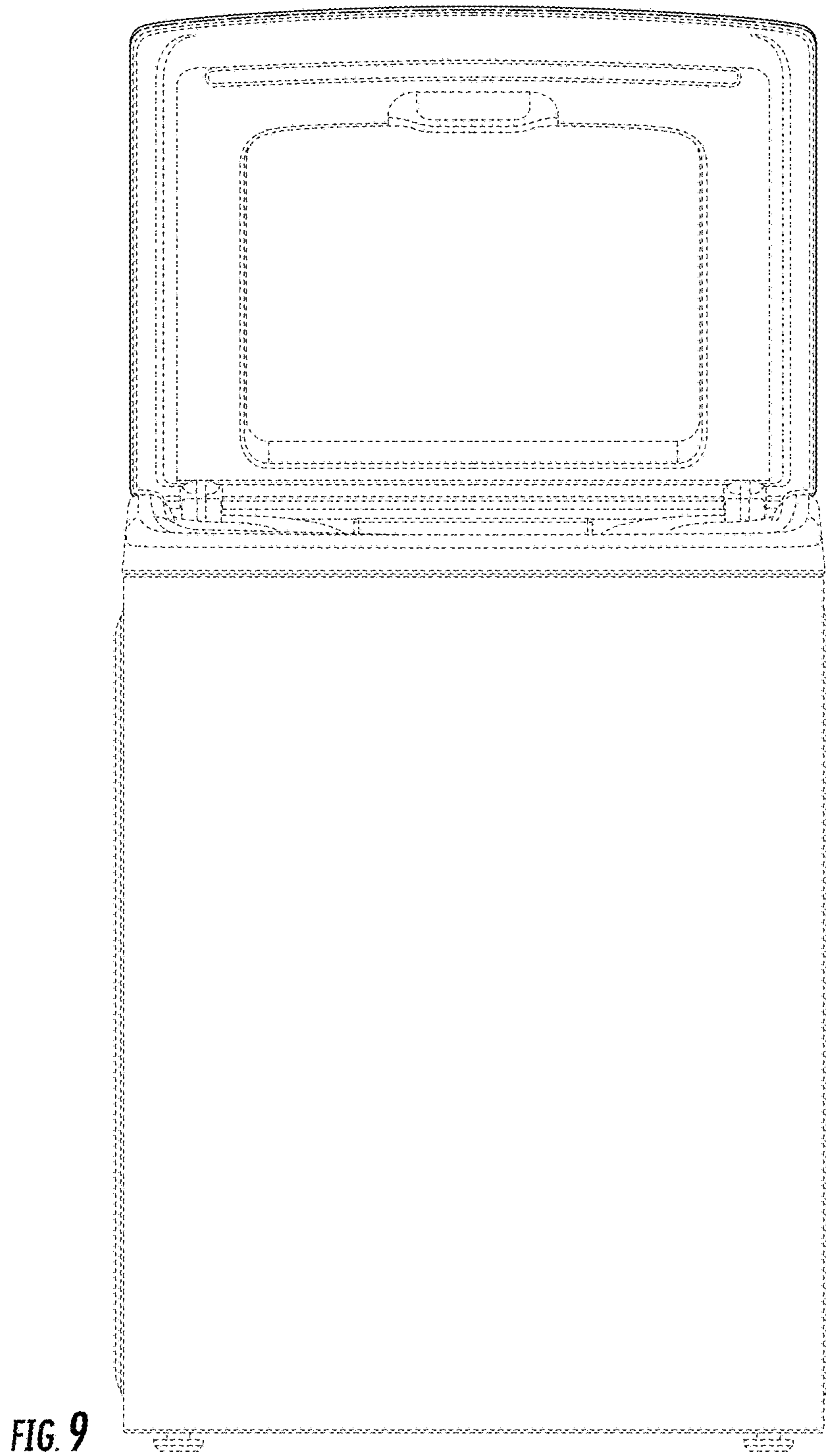


FIG. 8



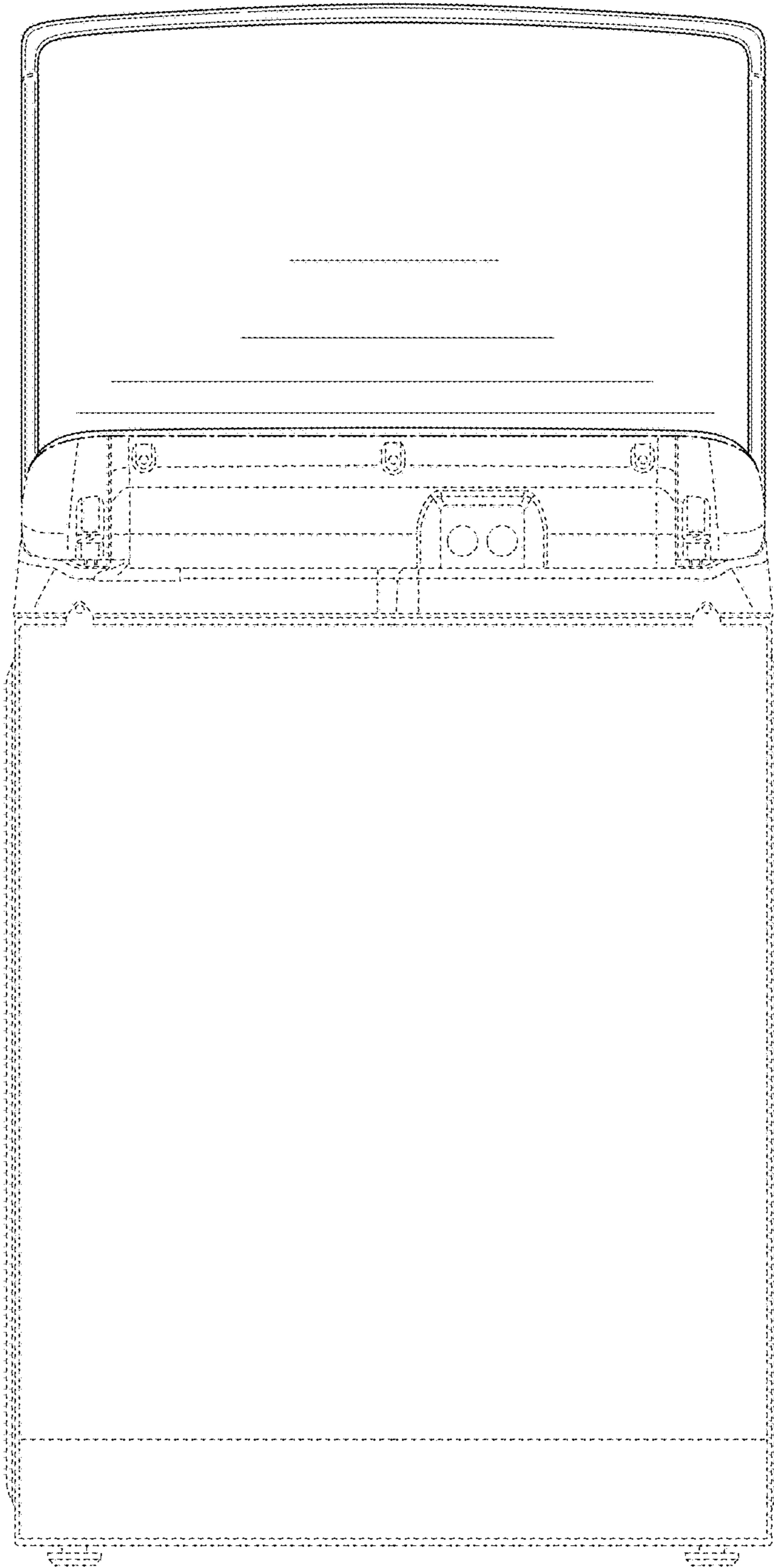


FIG. 10

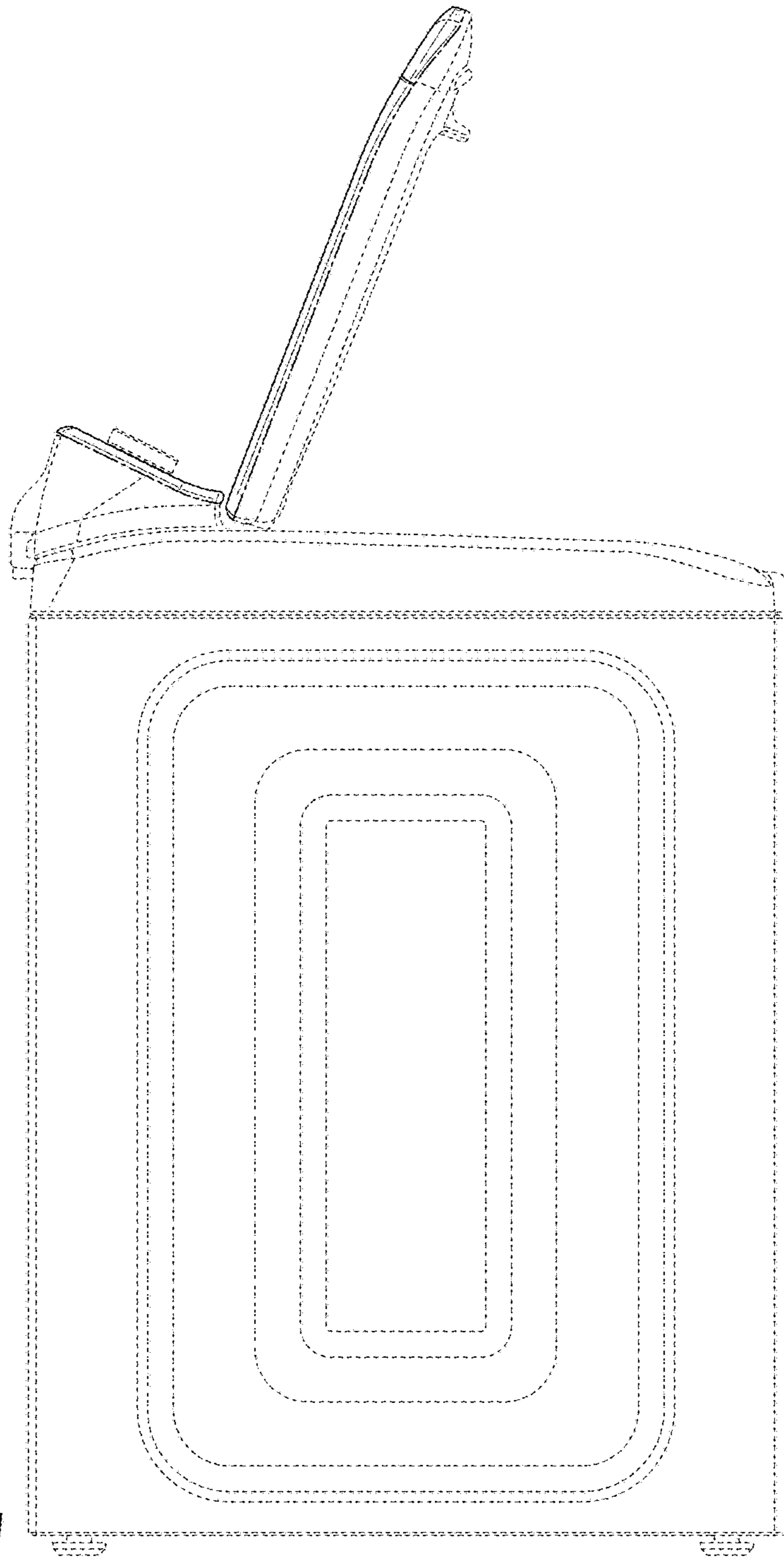


FIG. 11

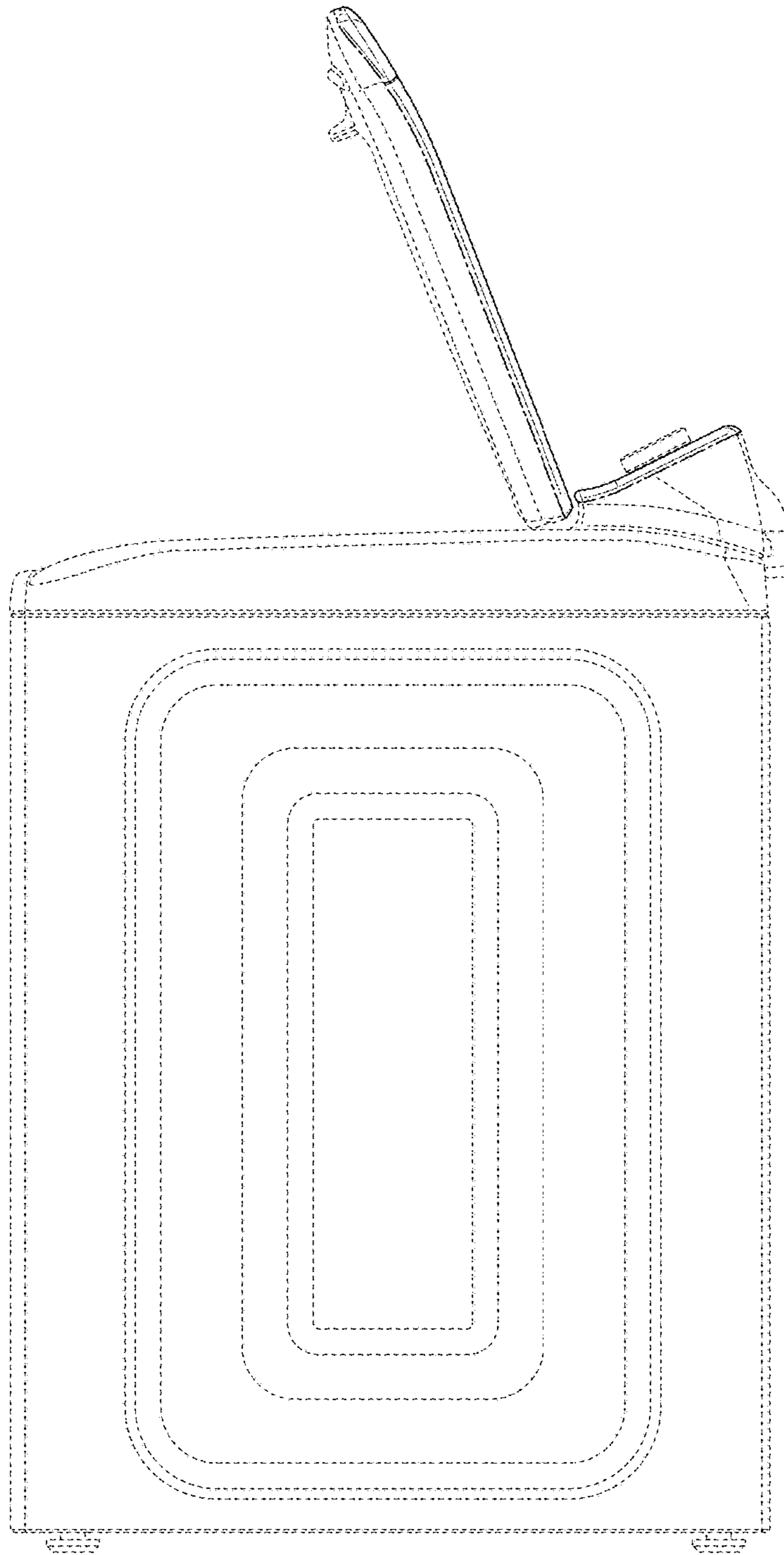


FIG. 12

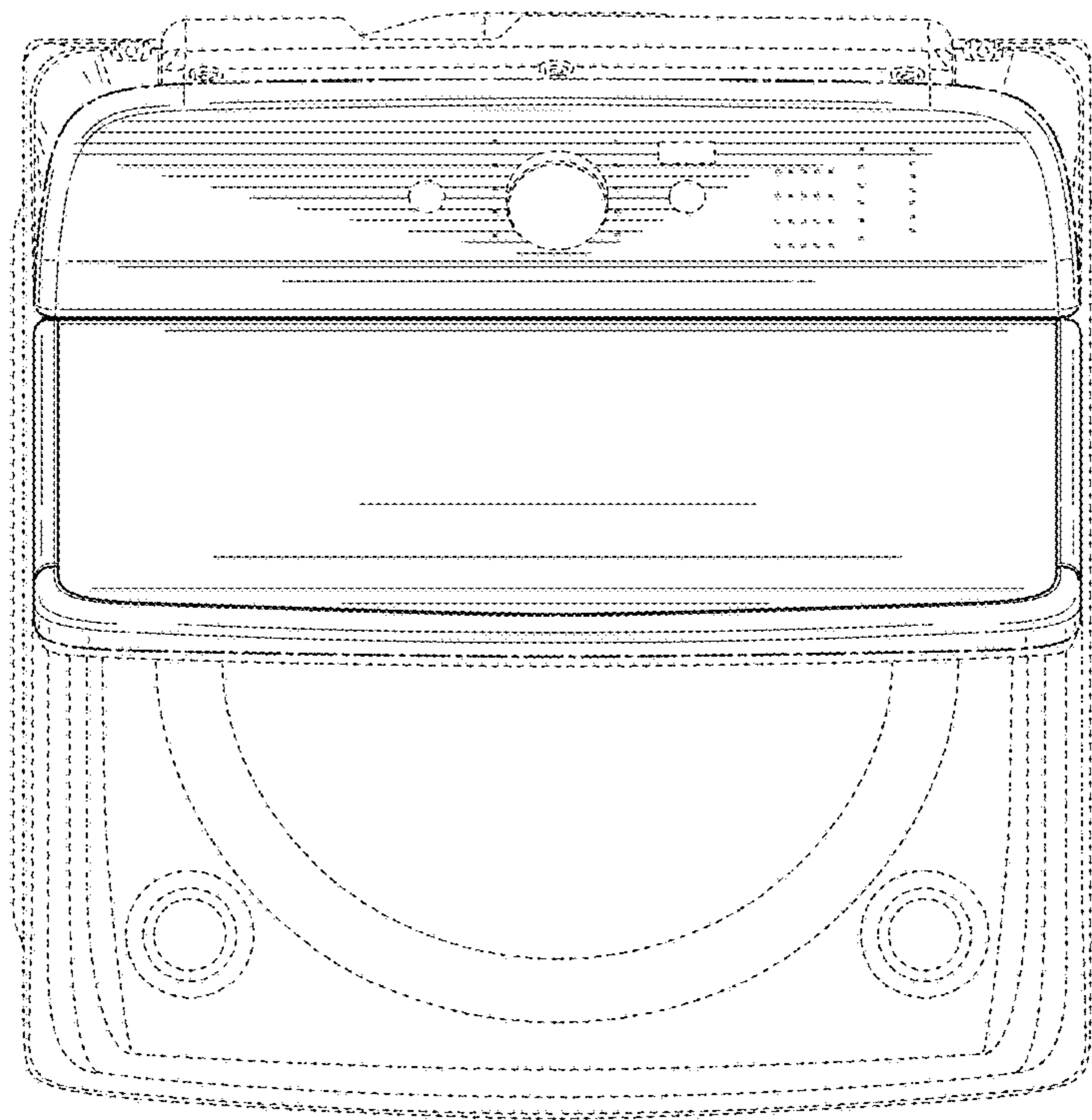


FIG. 13

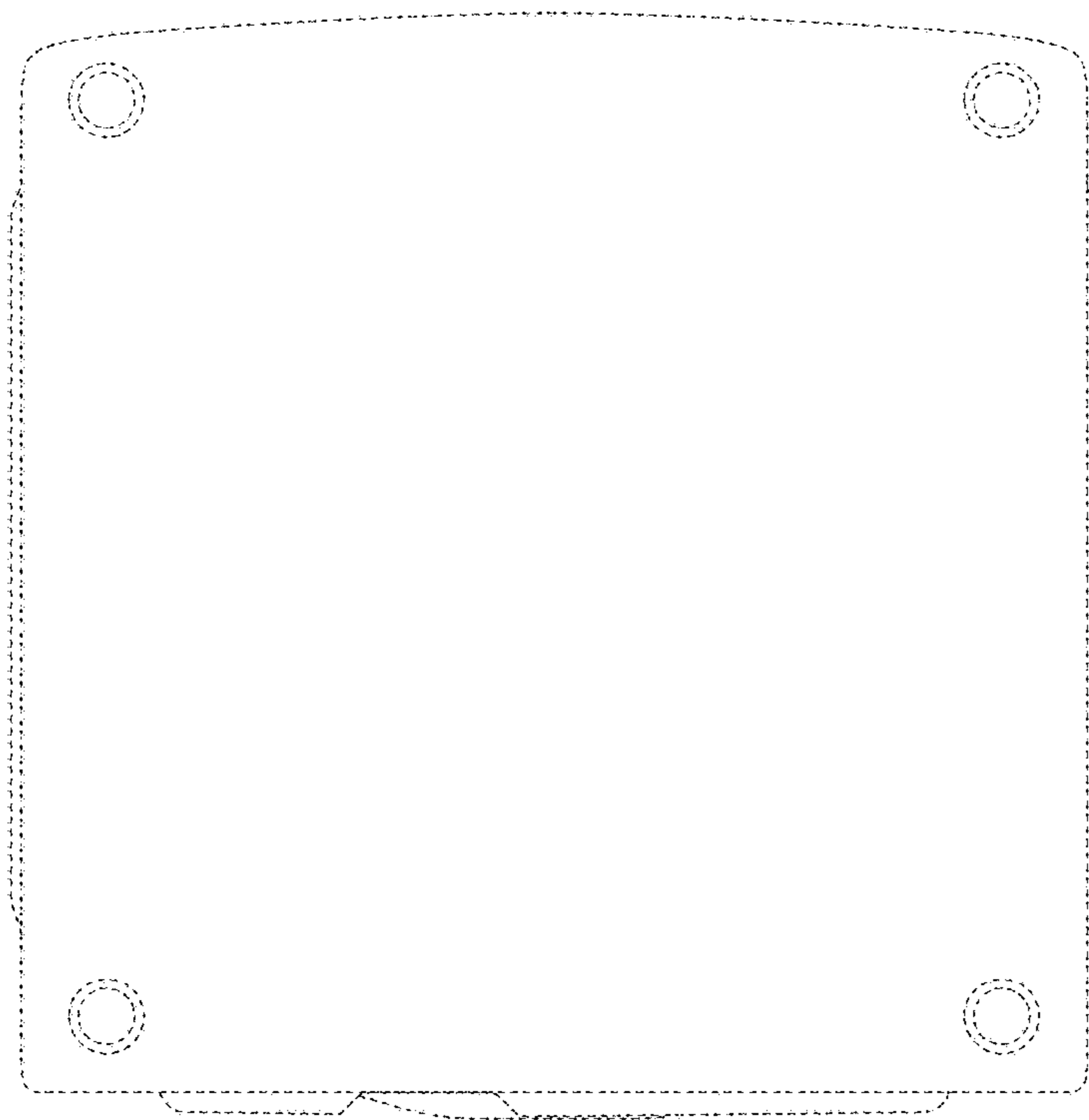


FIG. 14