



US00D847441S

(12) **United States Design Patent**
Landry

(10) **Patent No.:** **US D847,441 S**

(45) **Date of Patent:** **** Apr. 30, 2019**

(54) **ANIMAL FEEDER HOUSING**

(71) Applicant: **DeerRoots, LLC**, Stillwater, OK (US)

(72) Inventor: **Michael Landry**, Stillwater, OK (US)

(73) Assignee: **DeerRoots, LLC**, Stillwater, OK (US)

(**) Term: **15 Years**

(21) Appl. No.: **29/602,743**

(22) Filed: **May 3, 2017**

(51) **LOC (11) Cl.** **30-03**

(52) **U.S. Cl.**

USPC **D30/121; D30/131**

(58) **Field of Classification Search**

USPC D30/133, 121, 122, 124, 127, 128, 132, D30/129-131; 119/51.01, 61, 51.04, 53, 119/57.91, 54, 53.5, 52.4, 51.11, 63, 61.2, 119/52.1, 57.5, 57.6, 51.13, 62, 75, 500, 119/501, 73, 74, 51.12, 51.5, 52.2, 61.1, 119/60, 58, 59; 239/7, 687, 379, 397.5; 222/199, 181.1, 181.2, 185.1, 557, 156, 222/485, 486, 548, 555, 226-248, 196, 222/410-414; 220/200, 227, 247, 262, 220/697-702; 221/174, 185.1, 289, 295, 221/296, 559; 454/35; 209/270, 283, 209/244; 52/194, 192; 49/279, 344, 357; D34/28; D7/409, 601, 334, 332, 402; 211/181.1; 414/24.5, 607; D32/53.1; 15/260, 262, 264, 257.01, 257.05, 257.06; 118/419; D9/424, 429; 296/154, 183.1; 126/25 R, 9 R, 276, 30; 312/236; 99/419, 339, 467, 471, 473, 481, 421 R
CPC A01K 5/0225; A01K 5/00; A01K 5/02; A01K 5/01; A01K 5/0291; A01K 5/0266; A01K 5/0275; A01K 5/0283; A01K 39/00; A01K 39/01; A01K 39/0113; A01K 39/012; A01K 39/0125; A01K 39/014; B28C 7/0046; B65D 90/14; B65D 90/52; B65D 90/54; B65D 88/52;

B65D 88/26-88/34; B65D 88/54; A01C 17/005; A01C 17/006; Y10T 74/19721; Y10T 74/2063; A01M 31/00; A01M 31/004; A01M 31/008; A47J 37/0763; B60P 1/43

See application file for complete search history.

(56) **References Cited**

U.S. PATENT DOCUMENTS

432,671 A * 7/1890 Kent A01K 5/01
119/61.1
485,142 A * 10/1892 Stephens A01K 39/012
119/52.1
1,644,263 A * 10/1927 Moellring A01K 39/014
119/61.3
2,666,425 A * 1/1954 Hastings, Jr. A47J 37/0704
126/25 R
2,925,028 A * 2/1960 Haynes A47J 37/0704
126/2

(Continued)

Primary Examiner — Susan Moon Lee

(74) *Attorney, Agent, or Firm* — Hall Estill Attorneys at Law; Tyler J. Mantooth

(57) **CLAIM**

The ornamental design for an animal feeder housing, as shown and described.

DESCRIPTION

FIG. 1 is a top perspective view of an animal feeder housing according to my new design, in which the lid component is installed;

FIG. 2 is a bottom perspective view thereof;

FIG. 3 is a top plan view of the animal feeder housing shown with the lid component removed;

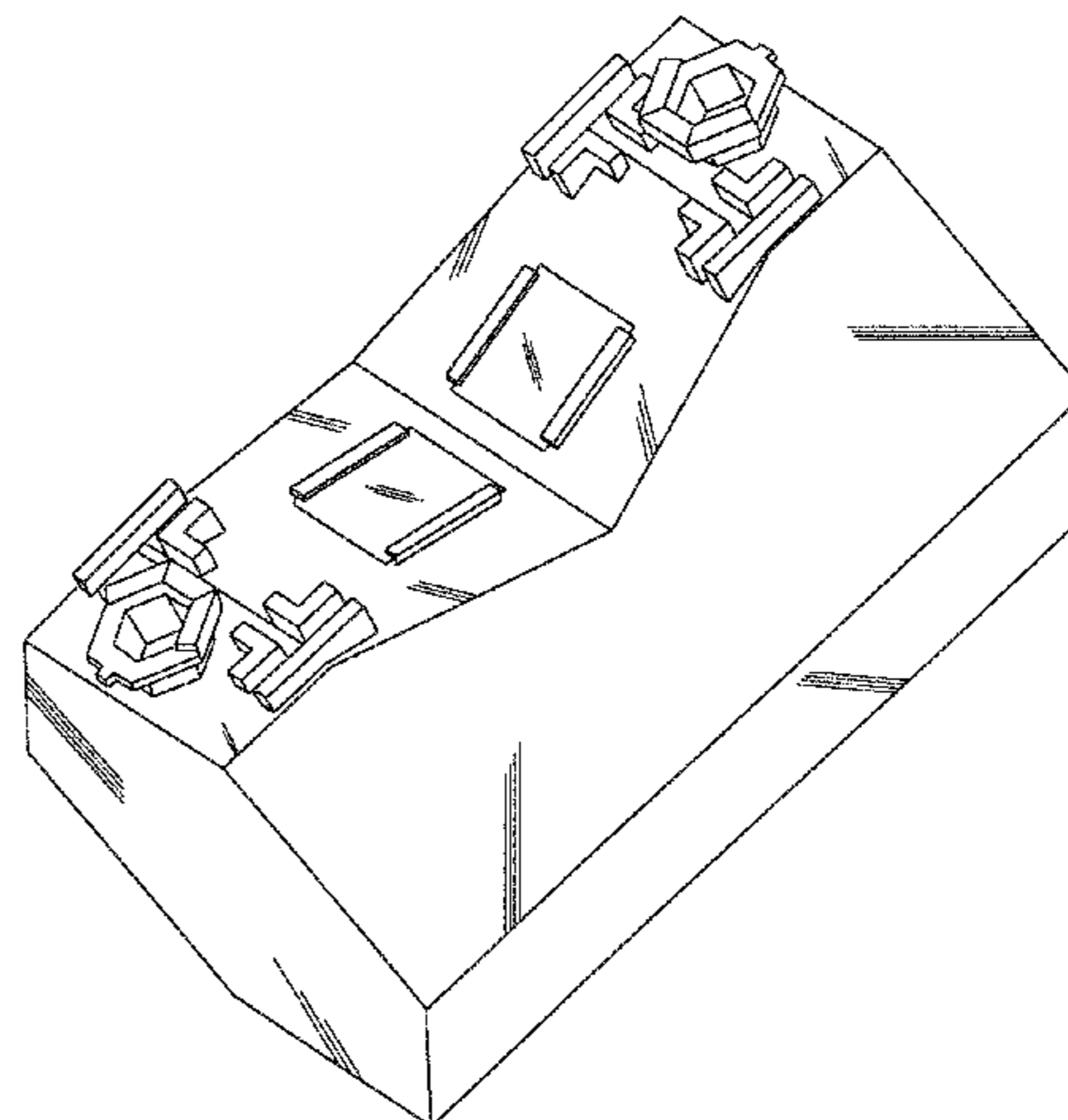
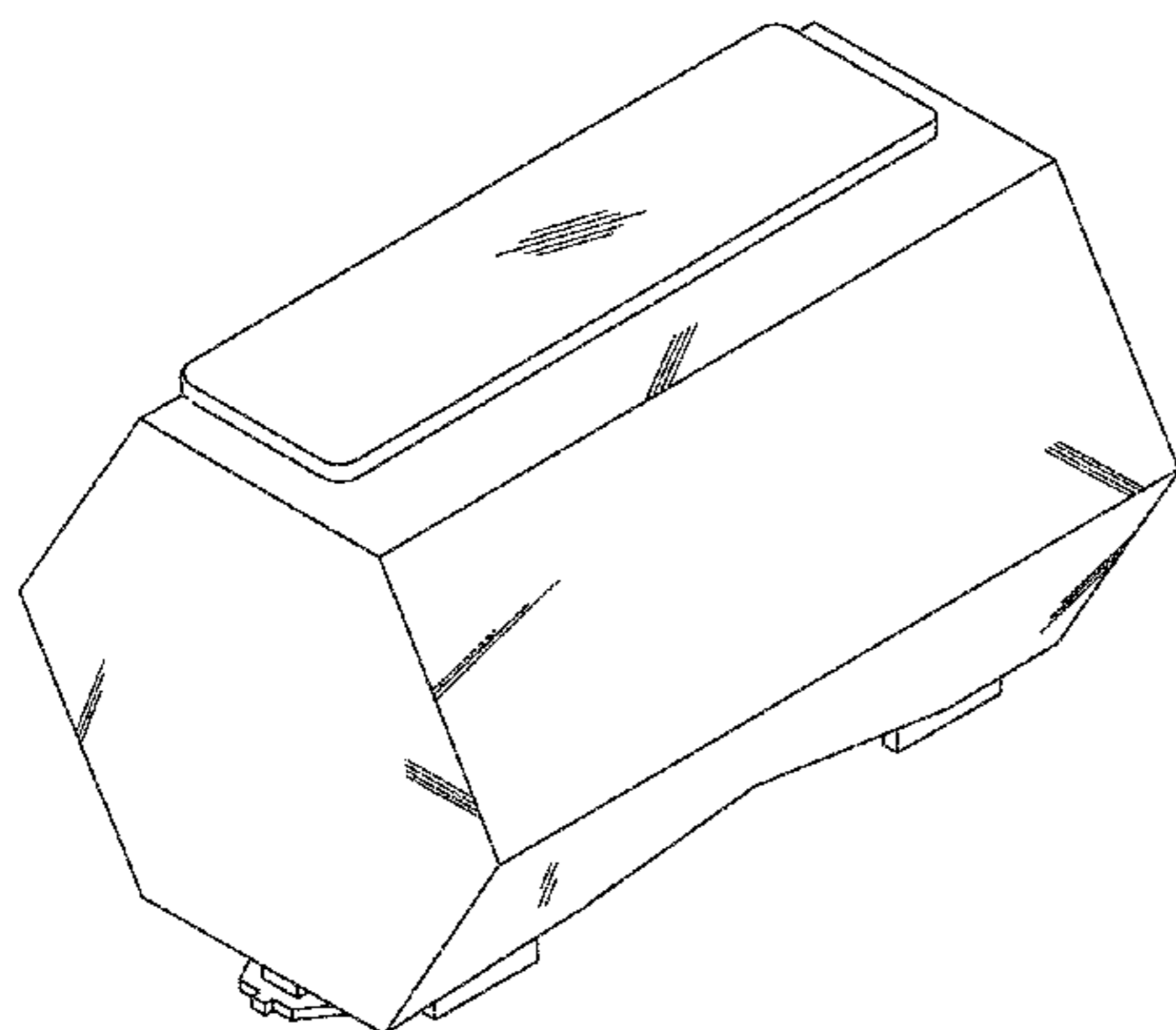
FIG. 4 is a bottom plan view of the animal feeder housing;

FIG. 5 is a side elevation view thereof;

FIG. 6 is an opposite side elevation view thereof; and,

FIG. 7 is, interchangeably, a front or rear view thereof.

1 Claim, 3 Drawing Sheets



US D847,441 S

(56)

References Cited

U.S. PATENT DOCUMENTS

3,050,356	A *	8/1962	Messmer	A01K 97/06 206/315.11	5,313,877	A *	5/1994	Holland	A47J 37/0704 126/25 R
D206,738	S *	1/1967	Wilkinson	D7/334	5,404,795	A *	4/1995	Coble	A47J 37/0704 126/25 R
3,380,444	A *	4/1968	Stalker	A47J 37/0763 126/25 R	5,501,142	A *	3/1996	Bailey	A23B 4/0526 99/345
3,441,224	A *	4/1969	Barth	A01C 17/00 239/656	D381,868	S *	8/1997	Schmitt	D7/332
3,520,290	A *	7/1970	Winters	A47J 37/0713 126/25 R	5,718,165	A *	2/1998	Winstead	A47J 37/0713 99/400
D218,266	S *	8/1970	Belokin, Jr.	D3/282	5,850,805	A *	12/1998	Kleinsasser	A01K 5/0241 119/54
D223,065	S *	3/1972	Turner	D7/334	5,862,777	A	1/1999	Sweeney	
D232,782	S *	9/1974	Kryter	D3/282	D406,490	S *	3/1999	Daniels	D7/334
D237,121	S *	10/1975	Metzner	D3/284	5,891,498	A *	4/1999	Boehler	A23B 4/052 426/314
3,978,782	A *	9/1976	Werling	A47J 37/0704 99/446	D430,772	S *	9/2000	Ganard	D7/334
D246,140	S *	10/1977	Johnson	D3/263	D430,776	S *	9/2000	Pai	D7/332
4,165,683	A *	8/1979	Van Gilst	A47J 37/0704 99/393	6,213,004	B1 *	4/2001	Franco	A47J 37/0623 99/341
D260,224	S *	8/1981	Larson	D7/335	D450,215	S *	11/2001	Wood	D7/334
D260,347	S *	8/1981	Larson	D7/335	D450,216	S *	11/2001	Wood	D7/334
4,362,093	A *	12/1982	Griscom	A47J 37/0704 126/25 R	D465,378	S *	11/2002	Hermansen	D7/332
D275,640	S *	9/1984	Hoglund	D3/292	6,523,461	B1 *	2/2003	Johnston	A47J 37/0713 99/340
4,492,215	A *	1/1985	DiGianvittorio ...	A47J 37/0704 126/25 R	6,595,197	B1 *	7/2003	Ganard	A47J 37/0704 126/1 D
D282,619	S *	2/1986	Fitzgerald	D7/332	6,606,986	B2 *	8/2003	Holland	A47J 37/0704 126/25 R
4,587,948	A *	5/1986	Haglund	F24C 3/14 126/2	6,658,991	B2 *	12/2003	Backus	A47J 37/041 99/395
D286,929	S *	11/1986	Brandon	D32/53.1	6,813,995	B1 *	11/2004	Sikes	A47J 37/07 126/21 R
4,672,944	A *	6/1987	Curry	A47J 37/0704 126/25 R	6,874,496	B2 *	4/2005	Waits	A23B 4/044 126/1 D
D294,217	S *	2/1988	Haglund	D7/337	6,877,505	B1 *	4/2005	Den Hoed	F24B 1/207 126/276
D295,136	S *	4/1988	Cox, Jr.	D7/334	D517,853	S *	3/2006	Mata, Jr.	D7/332
4,773,319	A *	9/1988	Holland	A47J 37/0713 126/25 R	D535,137	S *	1/2007	Mashburn	D7/332
4,840,118	A *	6/1989	Rinehart	A47J 37/0704 126/25 R	7,281,646	B2 *	10/2007	Flannery	B60R 9/06 126/276
4,862,792	A *	9/1989	Lerma, Jr.	A47J 37/0704 99/401	D622,453	S	8/2010	Meritt	
4,979,437	A *	12/1990	Giebel	A47J 37/0704 126/25 R	D646,121	S *	10/2011	Pickard	D7/334
D323,444	S *	1/1992	Masters	D7/332	8,261,732	B2 *	9/2012	Contarino, Jr.	A47J 37/067 126/190
5,197,379	A *	3/1993	Leonard, Jr.	A47J 37/0704 126/25 R	D677,017	S	2/2013	Jeffries	
5,243,930	A *	9/1993	Rahm	A01K 5/0233 119/54	8,651,053	B2 *	2/2014	Reid	A01K 5/0291 119/51.12
D339,956	S *	10/1993	George, Jr.	D7/334	8,689,737	B2	4/2014	Gates	
5,253,634	A *	10/1993	LeBeouf	A47J 37/0731 126/25 A	D730,103	S *	5/2015	Manley	D7/334
D346,261	S *	4/1994	Fay	D34/28	D773,879	S *	12/2016	Magee	D7/334
					D787,877	S *	5/2017	Hellwinkel	D7/332
					2007/0028844	A1 *	2/2007	Bodenstab	A01K 5/0225 119/52.1

* cited by examiner

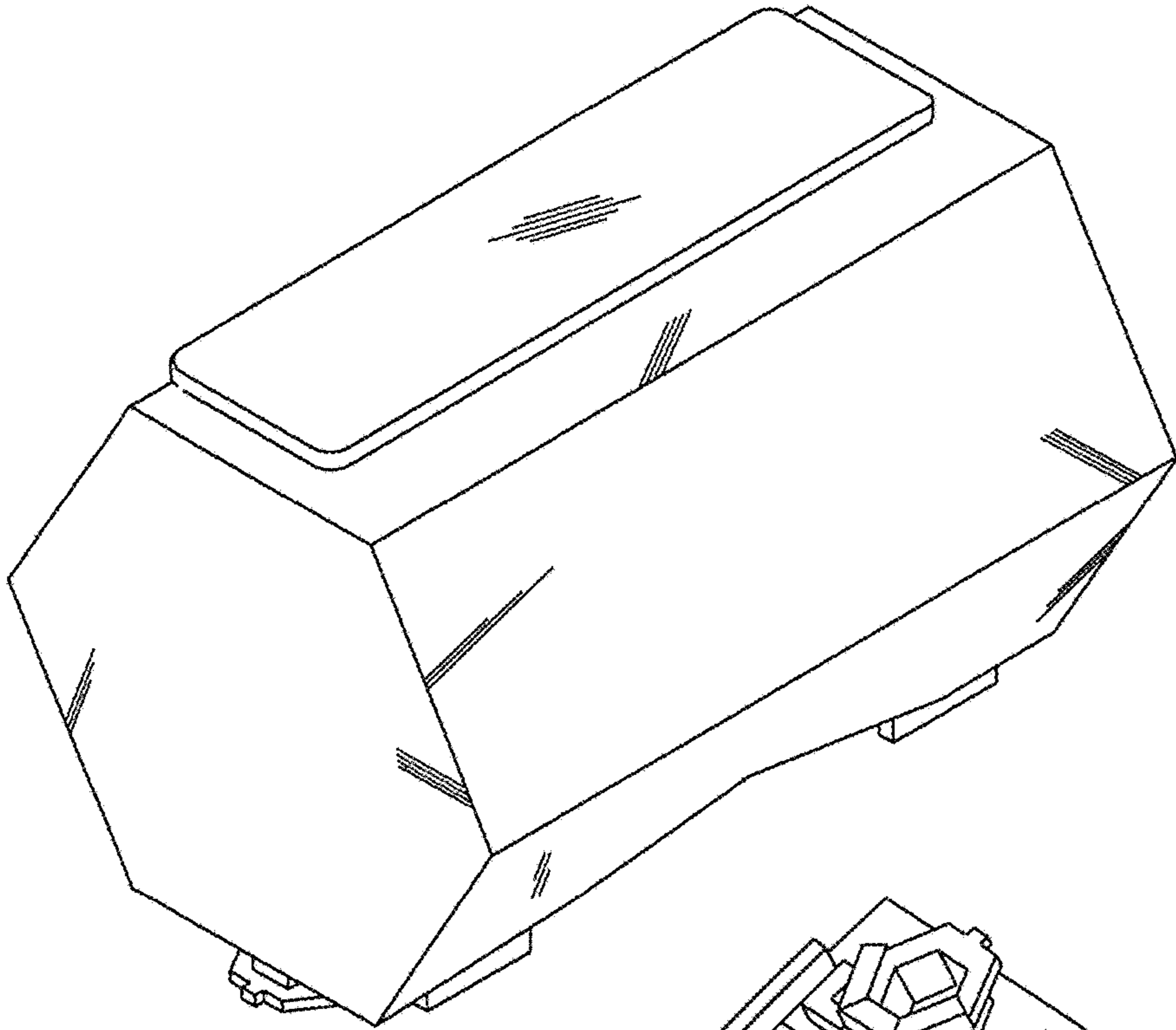


FIG. 1

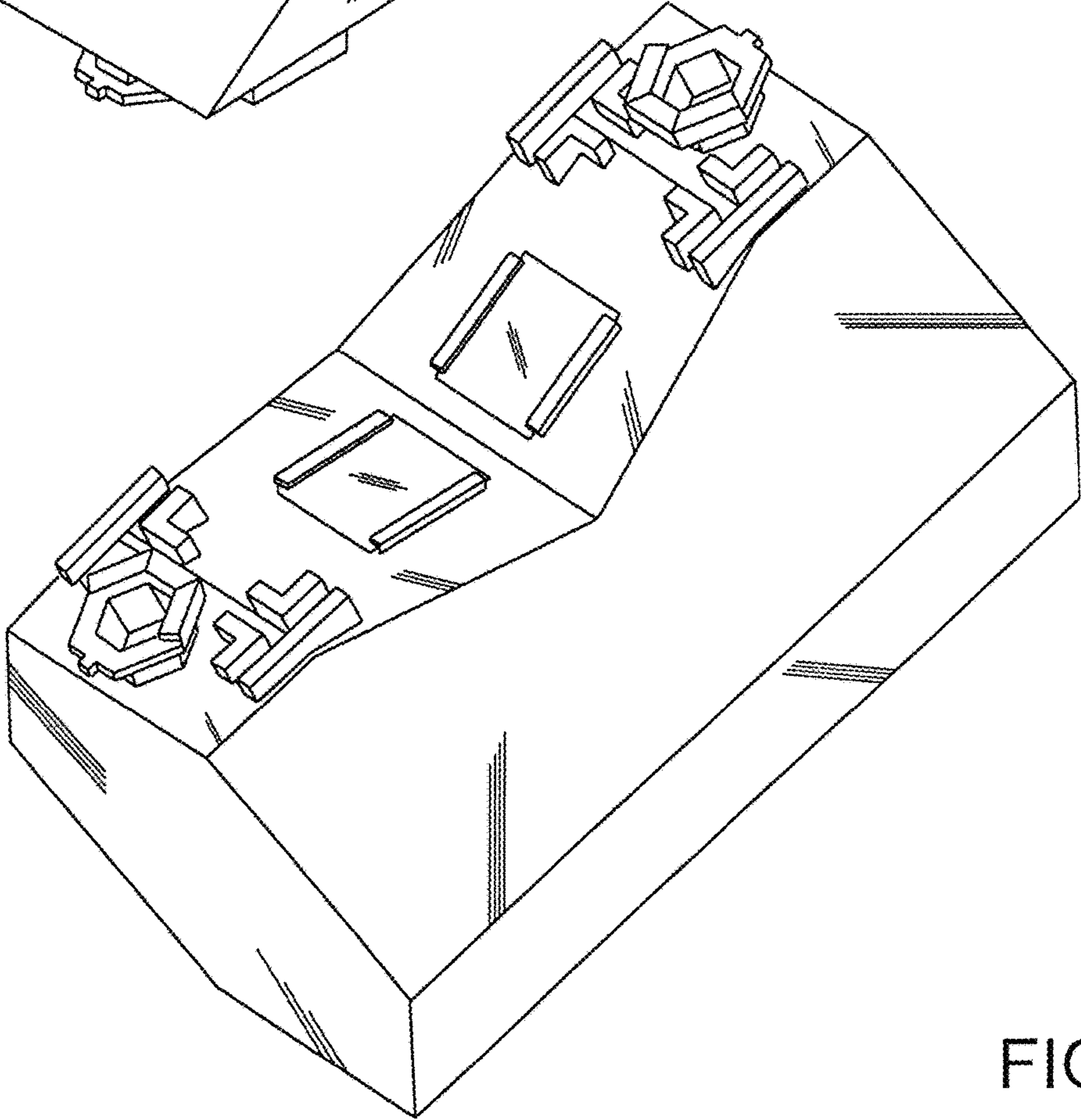


FIG. 2

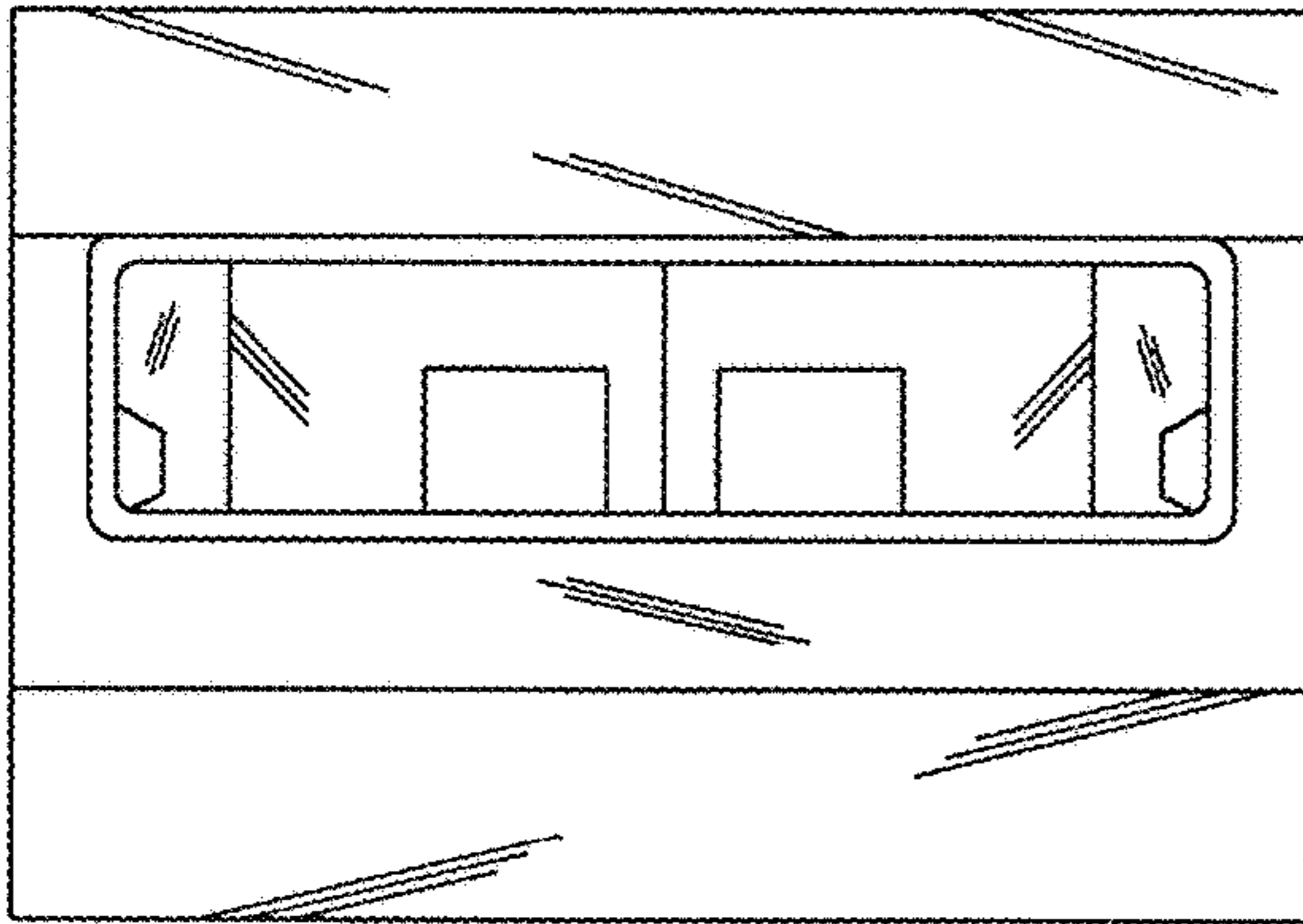


FIG. 3

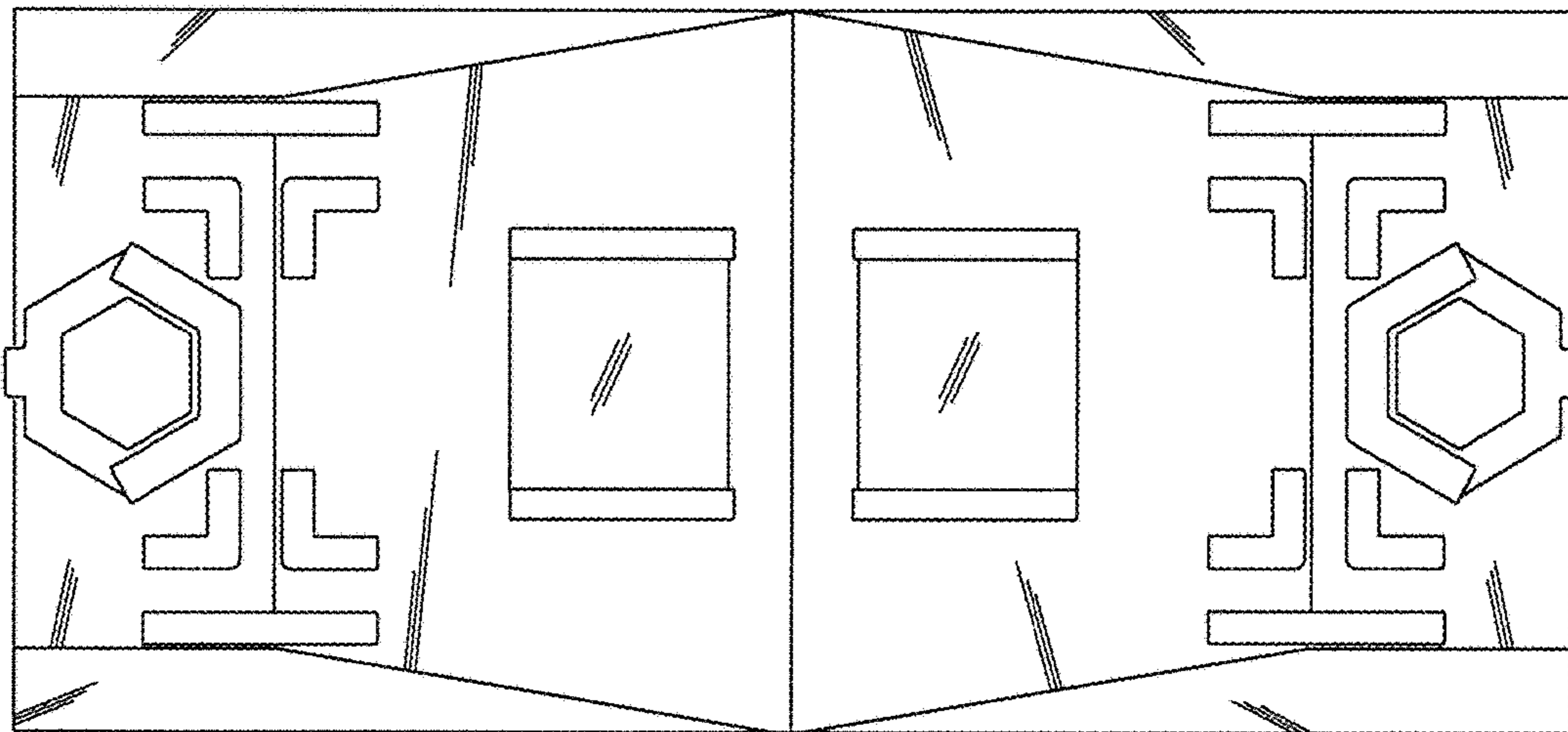


FIG. 4

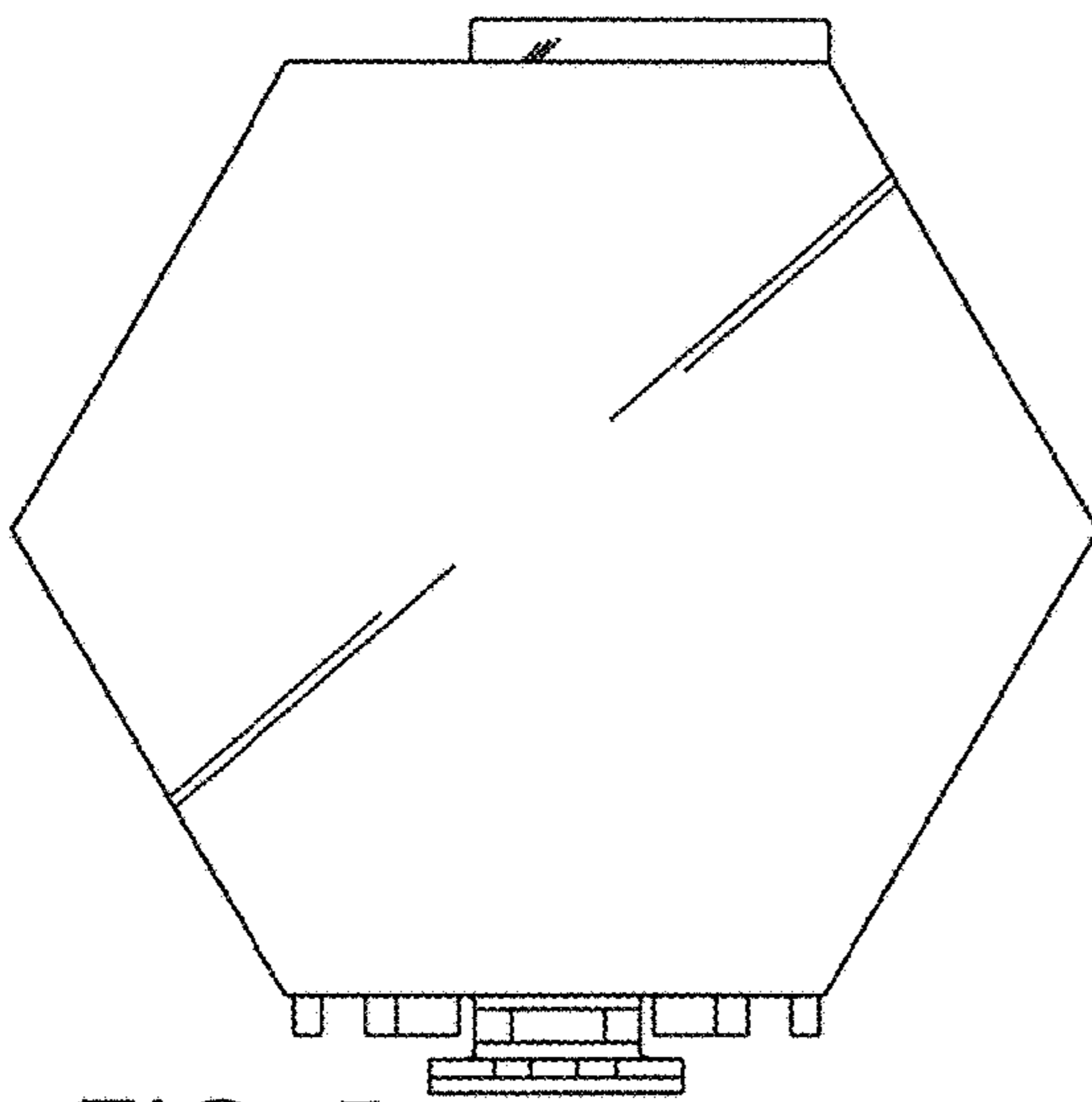


FIG. 5

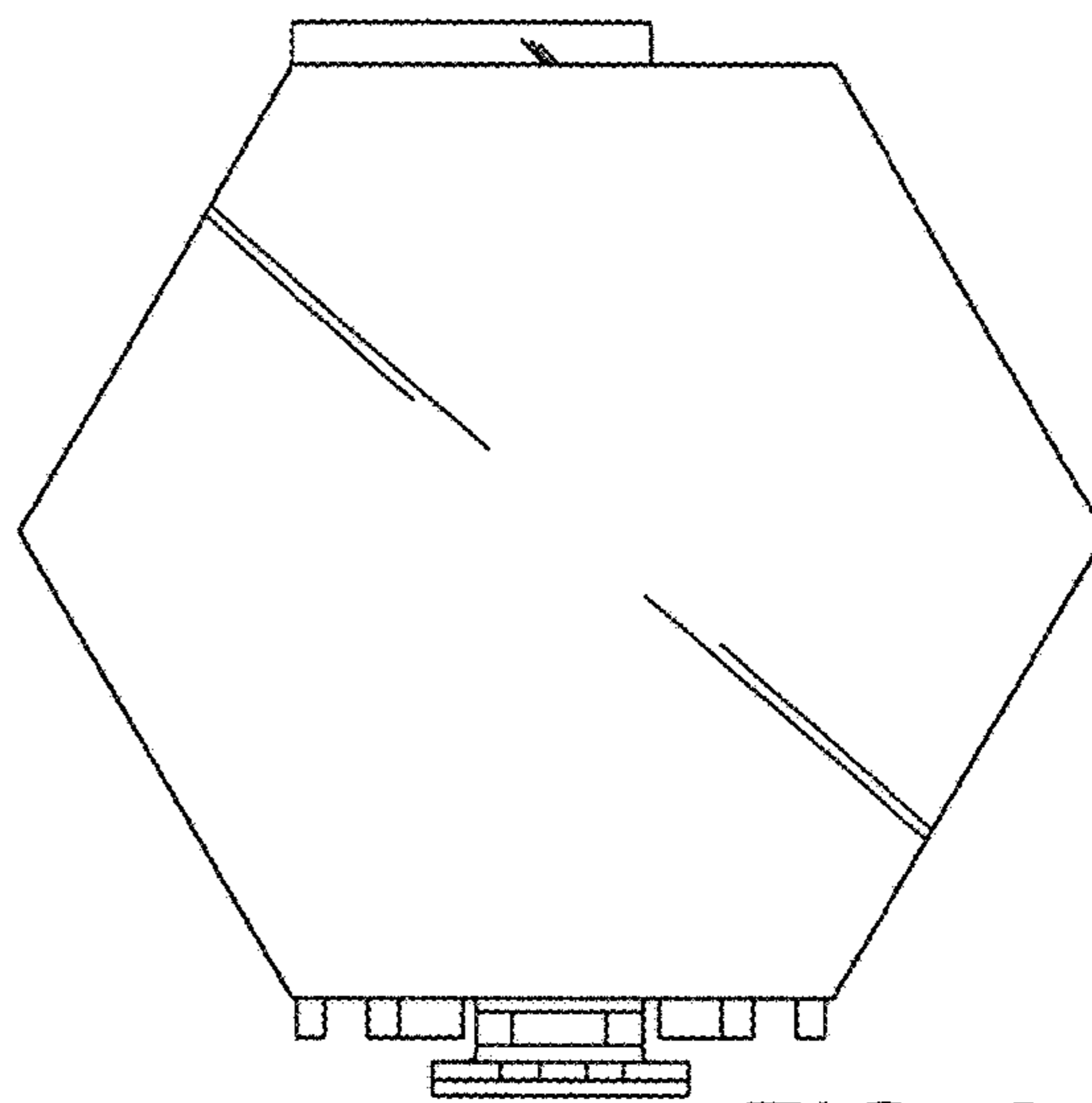


FIG. 6

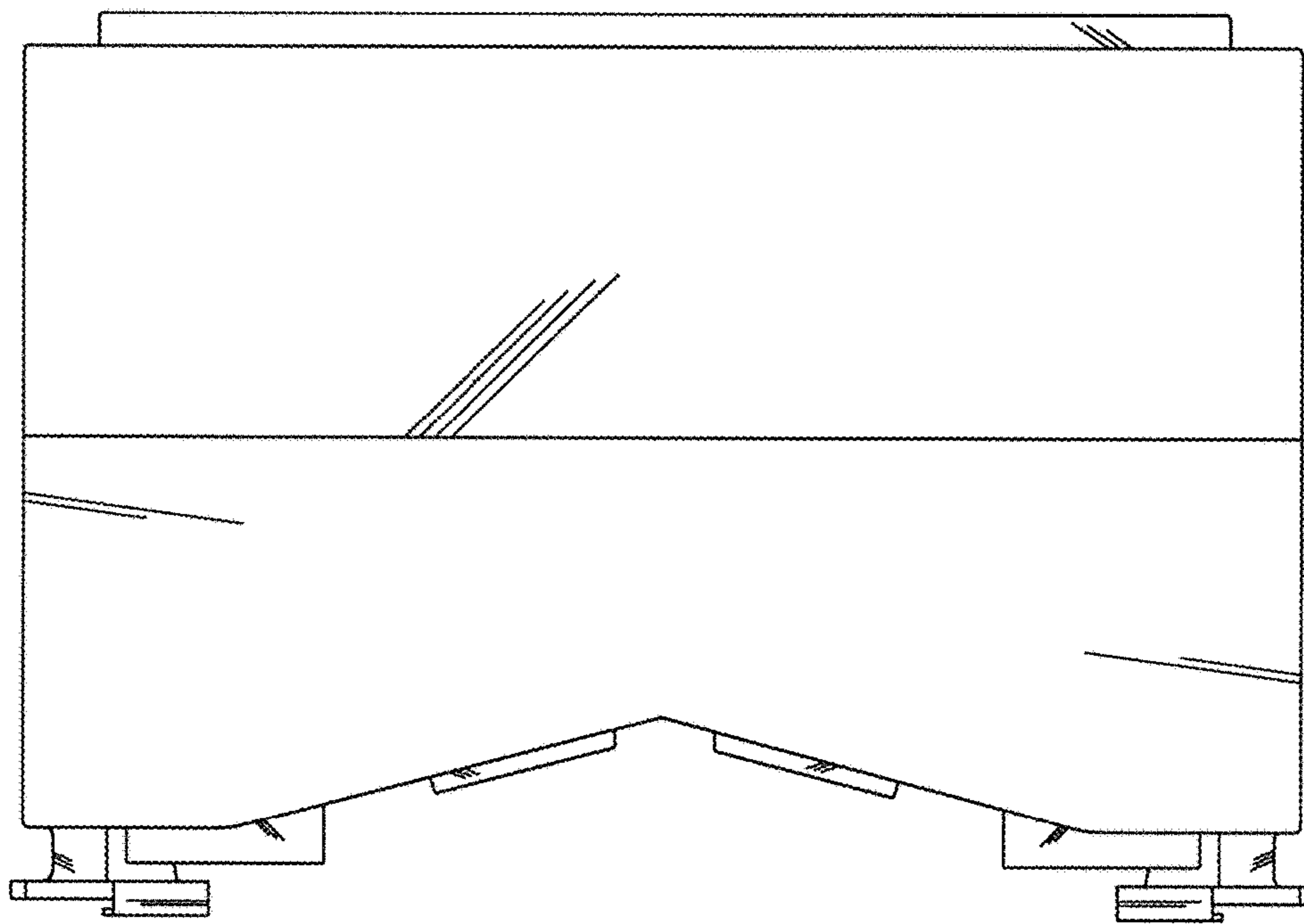


FIG. 7