



US00D847439S

(12) **United States Design Patent** (10) **Patent No.:** **US D847,439 S**
Hampel (45) **Date of Patent:** **** Apr. 30, 2019**

(54) **LIVESTOCK PEN**
(71) Applicant: **Lance T. Hampel**, Fredericksburg, TX (US)

D334,087 S 3/1993 Goetz
D335,727 S 5/1993 Kahl et al.
5,220,885 A 6/1993 Goetz
D343,481 S 1/1994 Hampel
(Continued)

(72) Inventor: **Lance T. Hampel**, Fredericksburg, TX (US)

FOREIGN PATENT DOCUMENTS

(**) Term: **15 Years**

CA 169657 * 3/2017
CA 169657 S 3/2017
(Continued)

(21) Appl. No.: **29/629,304**

(22) Filed: **Dec. 12, 2017**

OTHER PUBLICATIONS

Related U.S. Application Data

International Searching Authority of the Patent Cooperation Treaty, International Search Report and Written Opinion for related Application No. PCT/2016/062270, dated Jan. 24, 2017, 21 pages.
(Continued)

(62) Division of application No. 29/553,248, filed on Jan. 29, 2016.

(51) **LOC (11) Cl.** **30-02**

(52) **U.S. Cl.**
USPC **D30/113**

(58) **Field of Classification Search**
USPC D30/108, 109, 112, 113, 114, 117, 118, D30/119, 199, 155, 154, 158, 160; D21/837, 834, 838, 839; D25/16-20, 26, D25/56

CPC . A01K 1/00; A01K 31/22; A01K 1/17; A01K 1/033; A01K 1/035; A01K 31/18; A01K 1/0245; A01K 1/0353; A01K 1/03; A01K 1/0254; A01K 3/00; A01K 1/02; A01K 29/00

See application file for complete search history.

Primary Examiner — Caron D Veynar
Assistant Examiner — Katrina N Gonzalez
(74) *Attorney, Agent, or Firm* — Quarles & Brady LLP

(57) **CLAIM**

The ornamental design for a livestock pen, as shown and described.

DESCRIPTION

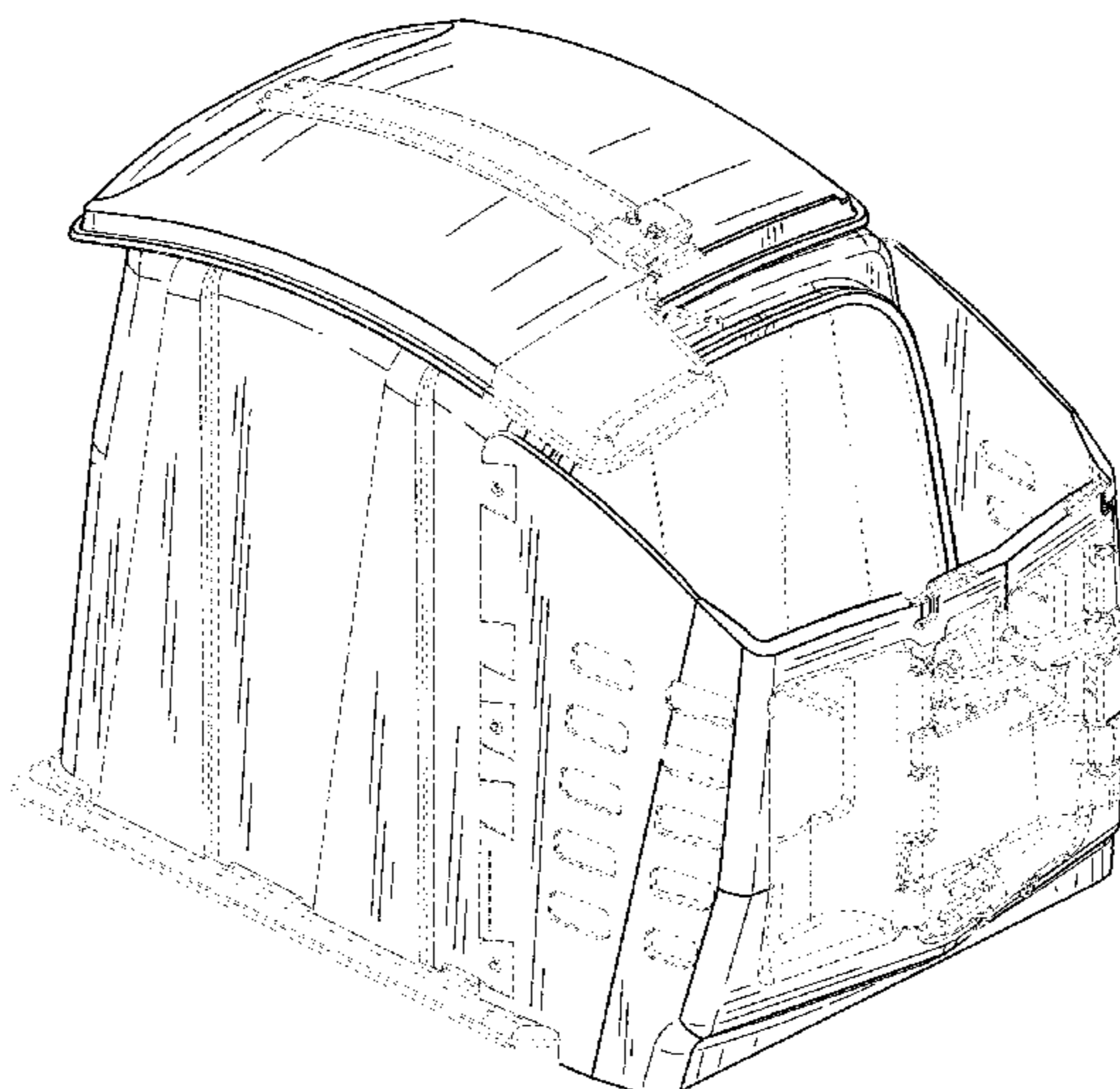
FIG. 1 is a front perspective view of a livestock pen showing my new design;
FIG. 2 is a front elevational view thereof;
FIG. 3 is a rear elevational view thereof;
FIG. 4 is a left side elevational view thereof;
FIG. 5 is a right side elevational view thereof; and,
FIG. 6 is a top elevational view thereof.
The dash-dash-dash broken lines represent portions of the livestock pen that form no part of the claimed design. The dash-dot-dash lines represent boundary lines and form no part of the claimed design.

(56) **References Cited**

U.S. PATENT DOCUMENTS

D240,051 S 5/1976 Mayfield
4,140,080 A 2/1979 Snader
D260,149 S * 8/1981 Harris D15/17
D267,904 S 2/1983 Hampel et al.
D267,905 S 2/1983 Keith
4,735,173 A 4/1988 Dubreuil
D320,479 S 10/1991 Cheval et al.

1 Claim, 6 Drawing Sheets



(56)

References Cited

U.S. PATENT DOCUMENTS

D346,676 S 5/1994 Hopper, Jr. et al.
 D363,367 S 10/1995 Hampel
 D426,351 S 6/2000 Hampel
 D443,957 S * 6/2001 Chambers D30/109
 D450,890 S * 11/2001 Van Buuren D30/108
 6,408,796 B1 * 6/2002 Hampel A01K 1/0035
 119/482
 D583,108 S * 12/2008 Richardson D30/109
 D651,766 S 1/2012 Van Buuren
 D652,995 S 1/2012 VanBuuren et al.
 8,186,306 B2 5/2012 Hampel
 D667,594 S * 9/2012 Valle D30/108
 9,097,031 B2 * 8/2015 Reed E04H 15/001
 D749,277 S * 2/2016 Avalos Sartorio D30/161
 D757,371 S * 5/2016 VanBuuren D30/113
 D789,620 S * 6/2017 Hampel D30/119
 D791,411 S 7/2017 VanBuuren
 D818,651 S * 5/2018 Vanbuuren D30/113
 2005/0241593 A1 * 11/2005 Kaura A01K 1/0035
 119/496

2009/0229534 A1 9/2009 Fredericks
 2009/0272327 A1 * 11/2009 Plante A01K 1/0107
 119/168
 2012/0137980 A1 6/2012 Veness et al.

FOREIGN PATENT DOCUMENTS

CA 173229 S 3/2017
 CA 193229 * 3/2017
 DE 29703581 U1 5/1997
 DE 202006011090 U1 9/2006
 DE 102010034077 A1 2/2012
 FR 2560000 A1 8/1985
 FR 2690605 A1 11/1993
 WO 2005065447 A1 7/2005

OTHER PUBLICATIONS

Two pages containing 13 pictures of various calf pens all existing prior to Jan. 29, 2016—admitted prior art.

* cited by examiner

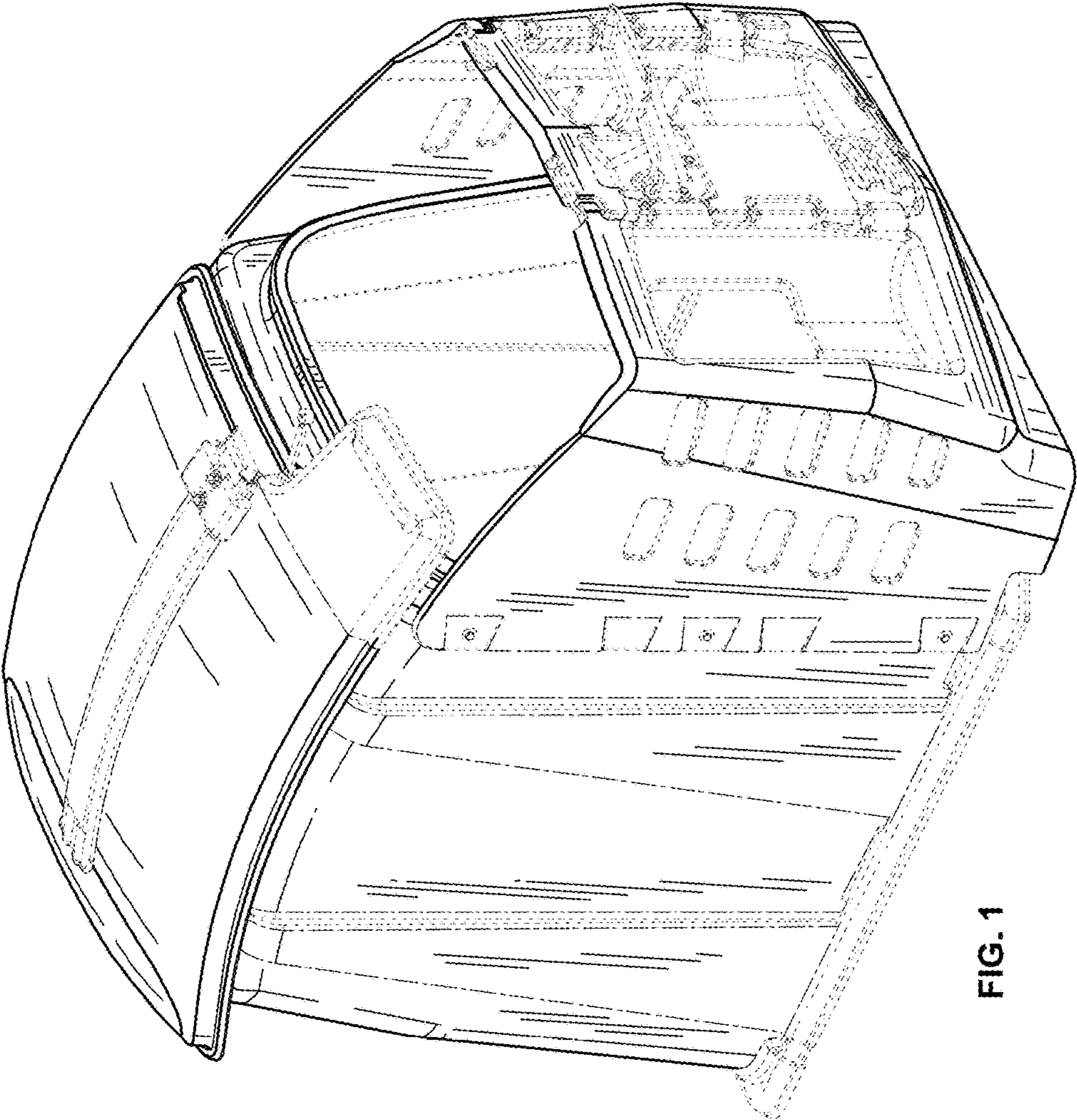


FIG. 1

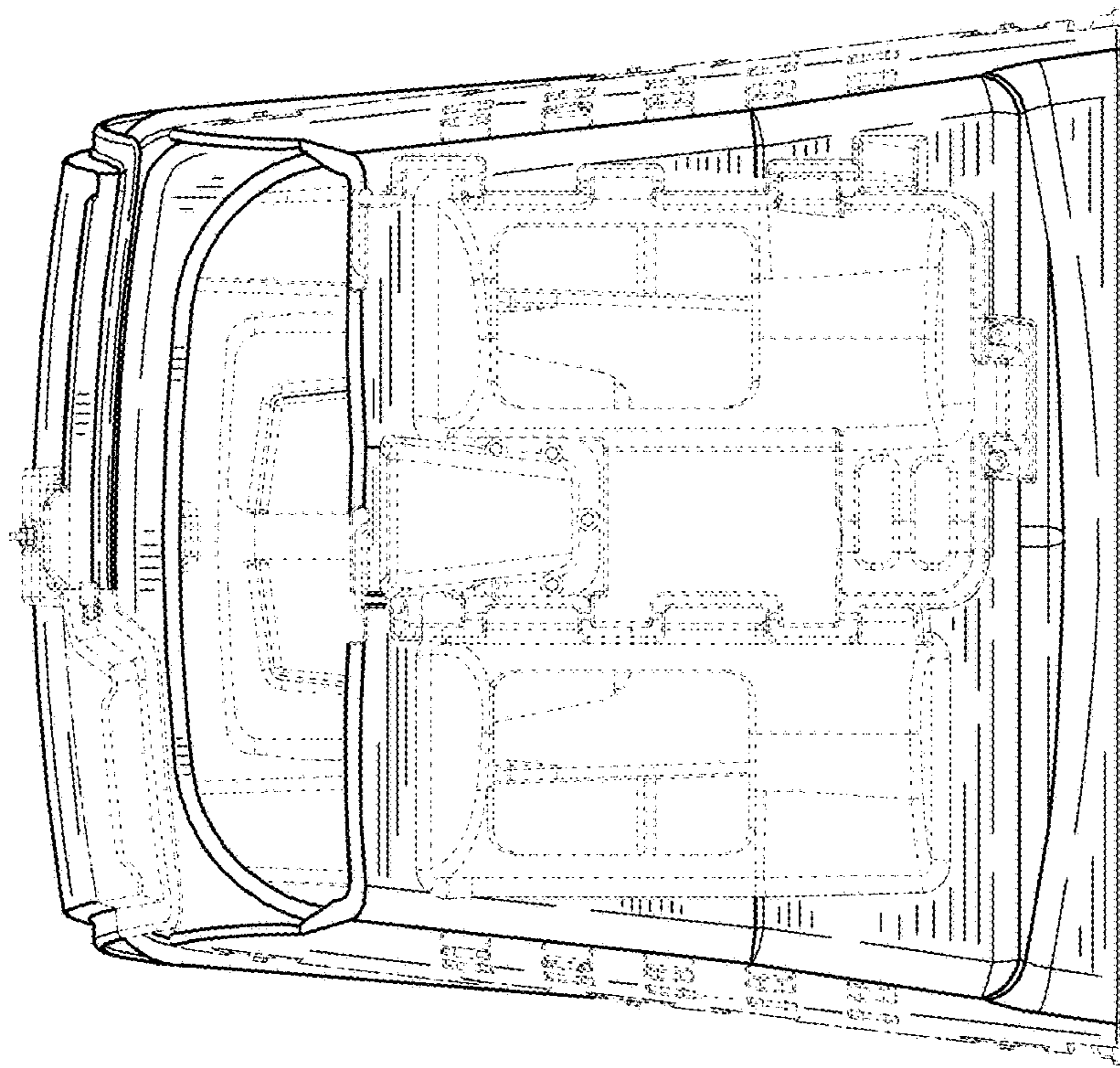


FIG. 2

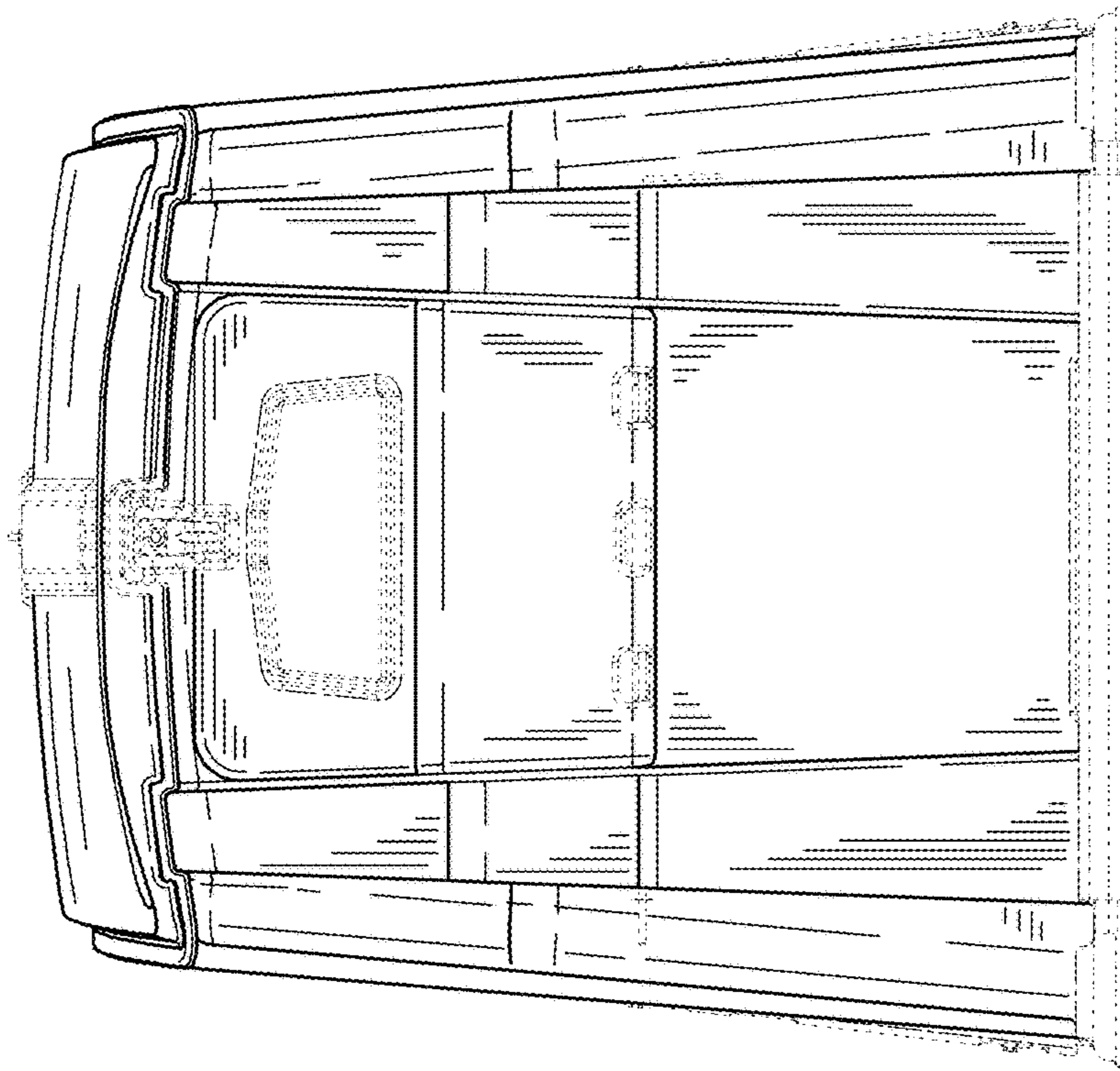


FIG. 3

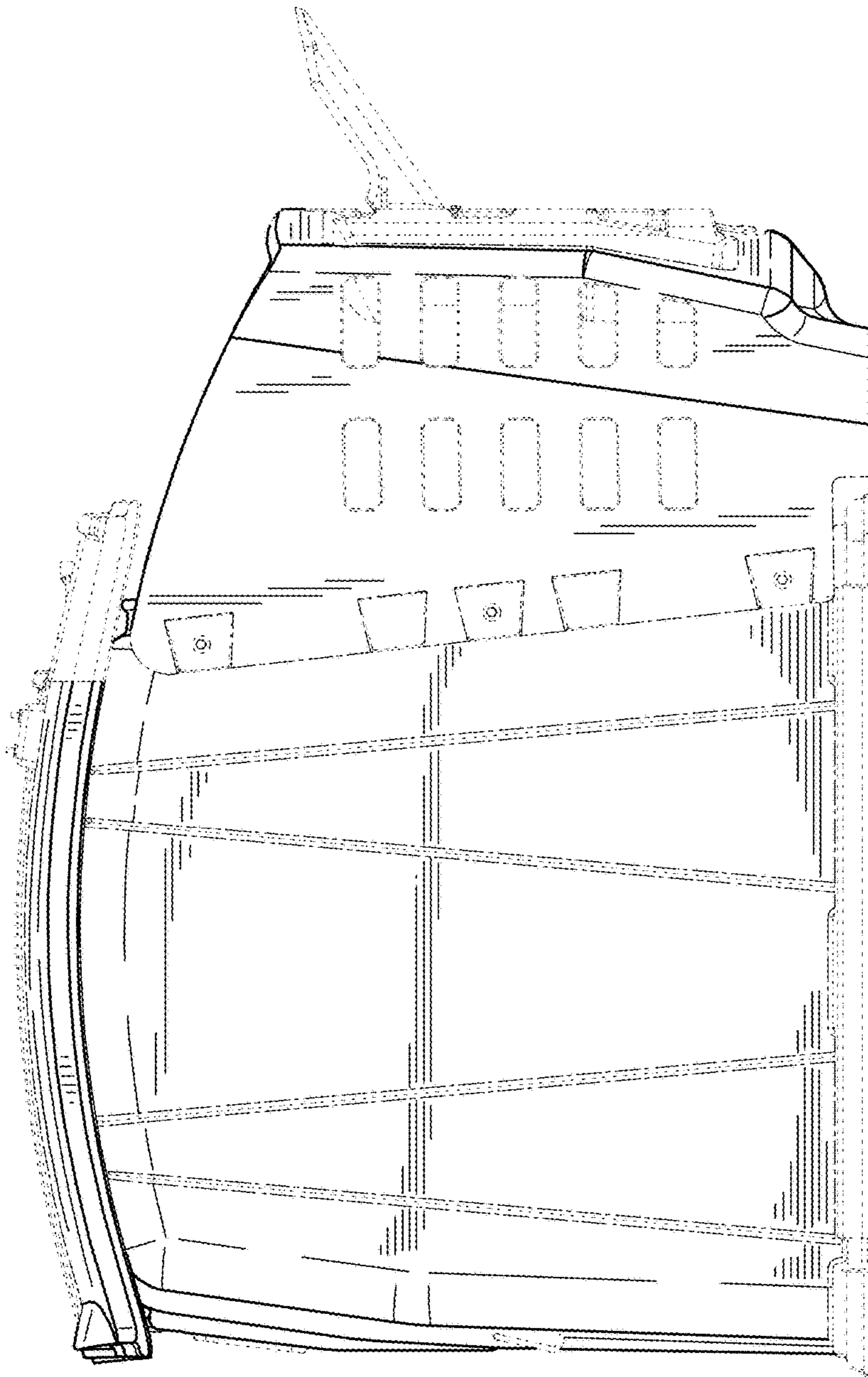


FIG. 4

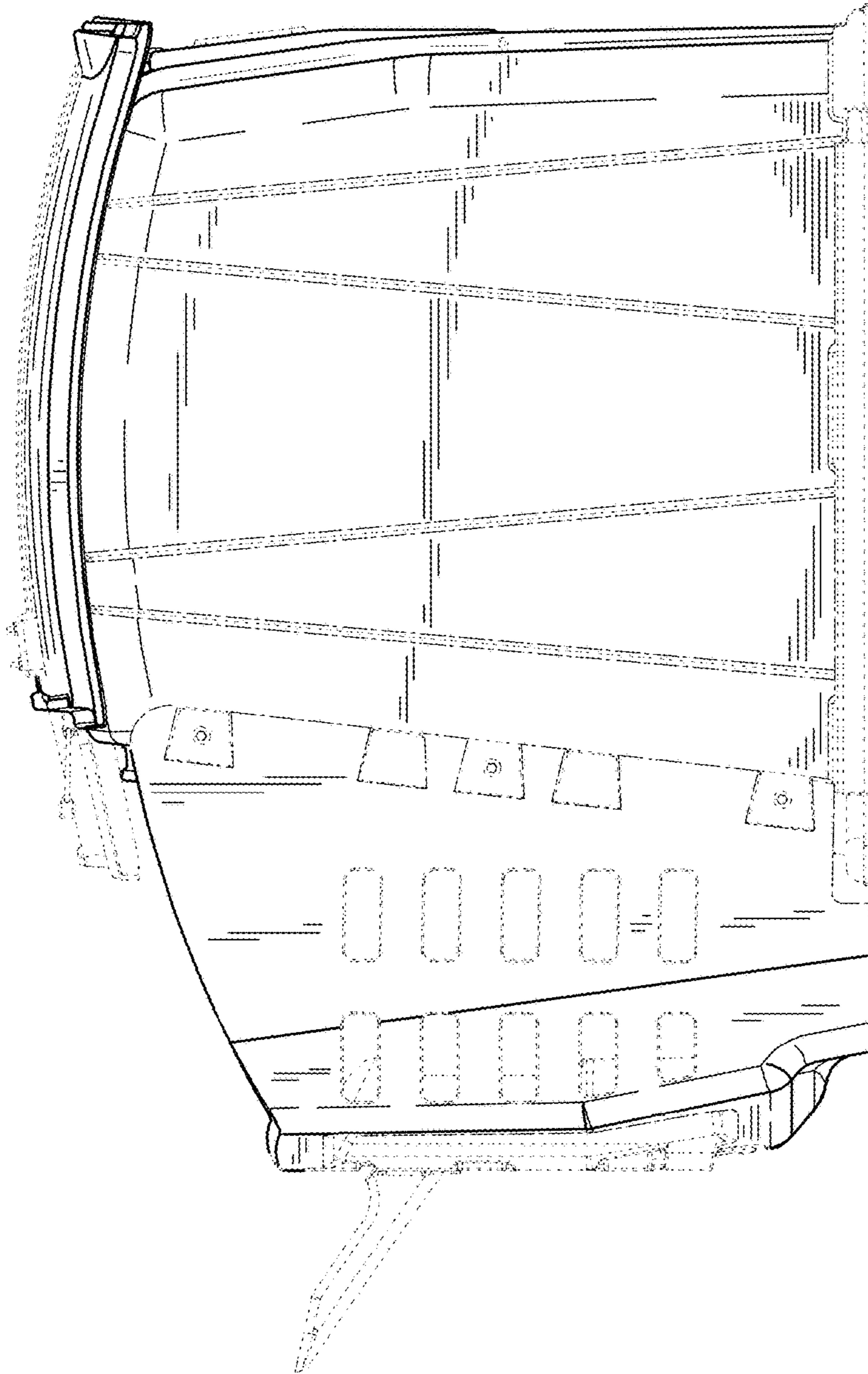


FIG. 5

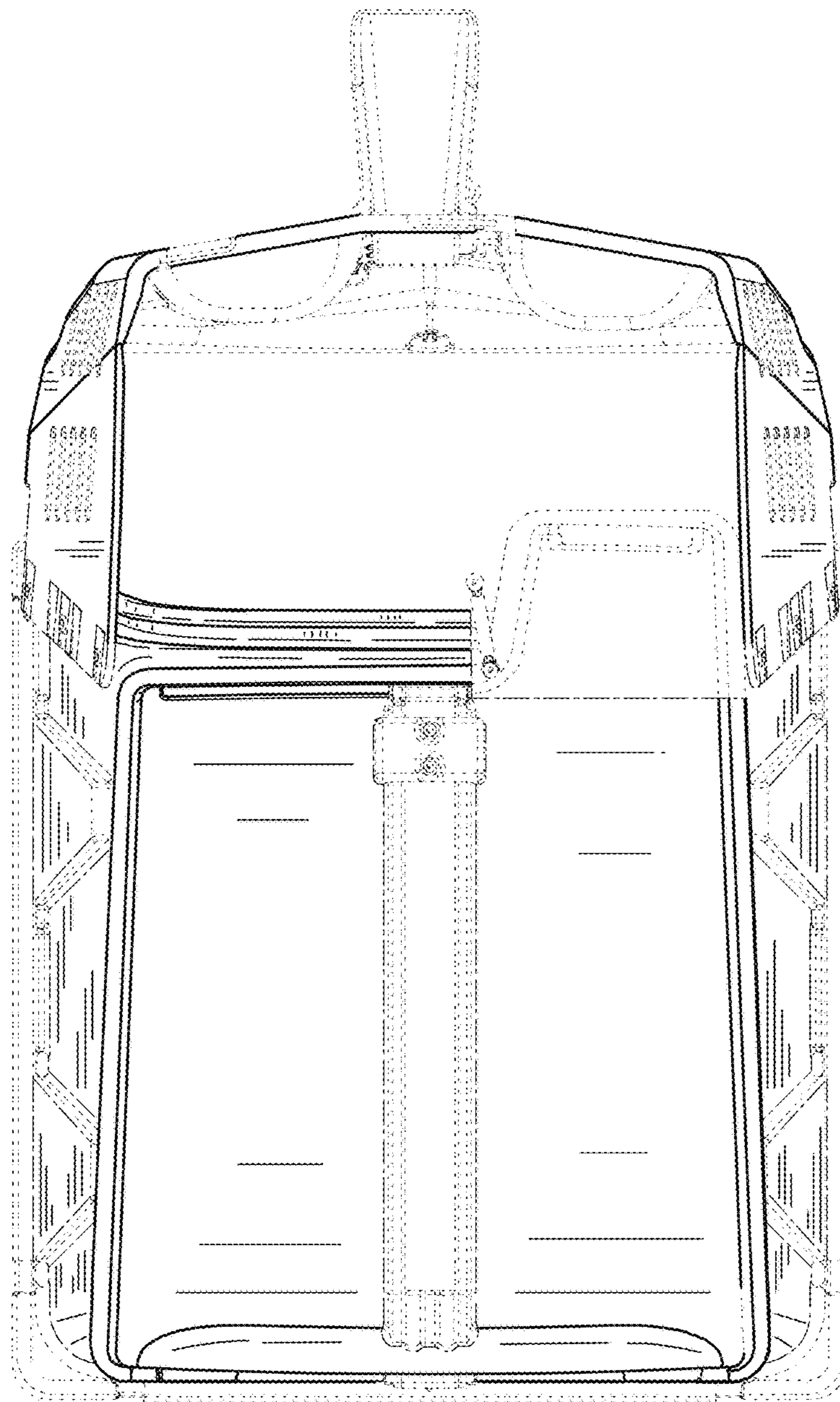


FIG. 6