



US00D847437S

(12) **United States Design Patent**  
**Slaven et al.**

(10) **Patent No.:** **US D847,437 S**  
(45) **Date of Patent:** **\*\* Apr. 30, 2019**

(54) **SHOCK ABSORBER FOR SAFETY HARNESS**

(71) Applicant: **SpanSet Inter AG**, Wollerau (CH)

(72) Inventors: **John P. Slaven**, Manchester (GB);  
**Peter John Ward**, Mold (GB)

(73) Assignee: **SPANSET INTER AG**, Wollerau (CH)

(\*\*) Term: **15 Years**

(21) Appl. No.: **29/630,514**

(22) Filed: **Dec. 21, 2017**

(30) **Foreign Application Priority Data**

Jun. 29, 2017 (EM) ..... 004073385-0001

(51) **LOC (11) Cl.** ..... **29-02**

(52) **U.S. Cl.**  
USPC ..... **D29/101.2**

(58) **Field of Classification Search**  
USPC ..... D29/100, 101.1, 101.2, 101.3, 101.4,  
D29/101.5, 102, 103, 124, 101, 122, 190;  
D8/355, 356; D2/629; D30/151, 153,  
D30/154; D3/229, 215; D24/199;  
24/300-303, 316; 211/87.01; 128/869,  
128/870, 872-876; 280/290; 297/486,  
297/487; 248/102-107, 548; 215/397,  
215/11.6

CPC ..... A62B 35/04; A62B 35/0068; B60N  
2/427736; B60N 2/4235

See application file for complete search history.

(56) **References Cited**

**U.S. PATENT DOCUMENTS**

2,437,585 A \* 3/1948 Zimmern ..... A47D 13/086  
297/468  
D208,729 S \* 9/1967 Gelsinger ..... 24/16 PB  
D224,902 S \* 10/1972 Rickard ..... D8/14  
D245,816 S \* 9/1977 Conti ..... D29/101.5

D298,867 S \* 12/1988 Herron ..... D29/101.1  
D359,836 S \* 7/1995 Shuler ..... D29/101.5  
D367,949 S \* 3/1996 Vallance ..... D2/628  
D375,924 S \* 11/1996 Kramer ..... D12/133  
D394,382 S \* 5/1998 Knight ..... D8/395  
D398,080 S \* 9/1998 Nealon ..... D29/100  
D433,775 S \* 11/2000 Crepeau ..... D29/100  
D449,136 S \* 10/2001 Vallance ..... D29/100  
D458,414 S \* 6/2002 Major ..... D29/100  
D523,588 S \* 6/2006 Henson ..... D29/101.4  
D553,801 S \* 10/2007 Palasini ..... D29/101.1  
D571,059 S \* 6/2008 Napolitano ..... D30/153  
7,516,591 B2 \* 4/2009 Wolner ..... A62B 35/0068  
119/795  
D593,403 S \* 6/2009 Salentine ..... D11/218  
D633,255 S \* 2/2011 Foreman ..... D29/101.1  
D646,895 S \* 10/2011 Nolan ..... A45F 3/14  
D3/327

(Continued)

*Primary Examiner* — David G Muller

*Assistant Examiner* — Nathan M Johnston

(74) *Attorney, Agent, or Firm* — Jeffer Mangels; Butler &  
Mitchell LLP; Brennan C. Swain, Esq.

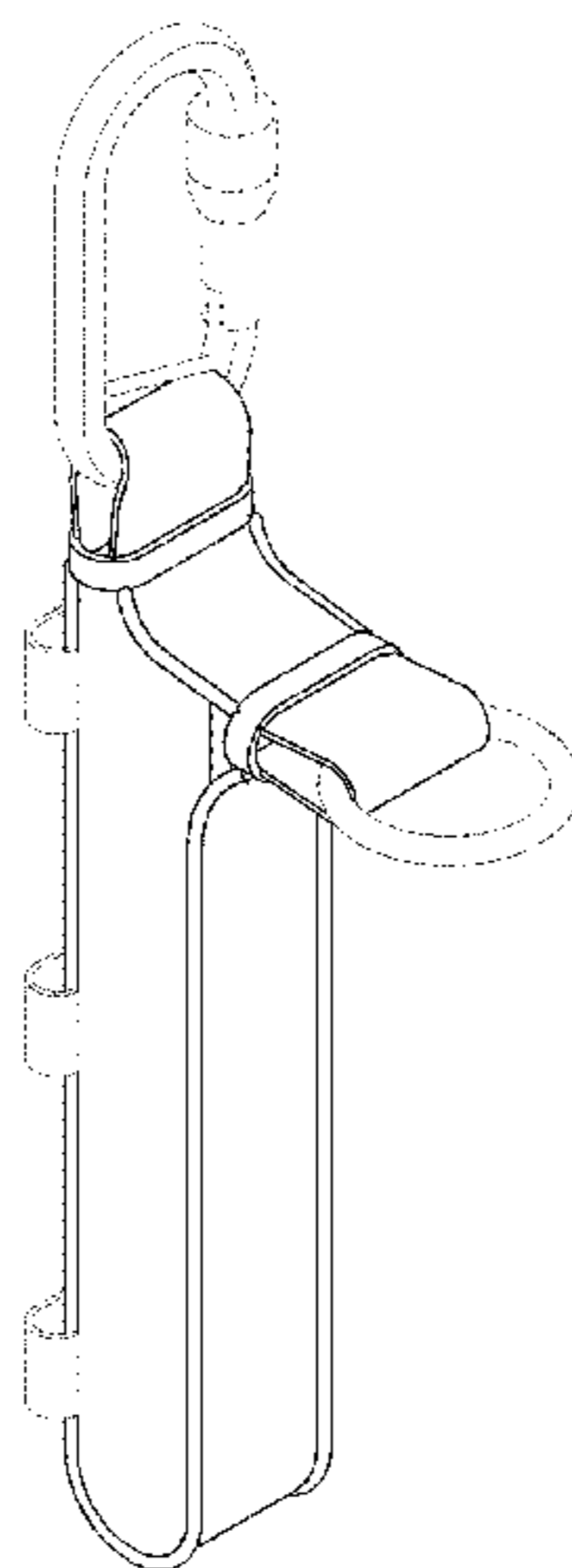
(57) **CLAIM**

The ornamental design for a shock absorber for a safety  
harness, as shown and described.

**DESCRIPTION**

FIG. 1 is a perspective view of a shock absorber for a safety  
harness showing our new design;  
FIG. 2 is a front elevational view thereof;  
FIG. 3 is a rear elevational view thereof;  
FIG. 4 is a left side elevational view thereof;  
FIG. 5 is a right side elevational view thereof;  
FIG. 6 is a top plan view thereof; and,  
FIG. 7 is a bottom plan view thereof.  
The broken lines in the drawings illustrate the portions of the  
shock absorber for a safety harness that form no part of the  
claim.

**1 Claim, 7 Drawing Sheets**



(56)

**References Cited**

U.S. PATENT DOCUMENTS

D685,950 S \* 7/2013 Sparkes ..... D29/101.1  
D696,918 S \* 1/2014 Rubin ..... D8/85  
D709,756 S \* 7/2014 Reynolds ..... D32/63  
D720,097 S \* 12/2014 Littleton ..... D29/101.5  
D774,699 S \* 12/2016 Taylor ..... D29/101.1  
D781,002 S \* 3/2017 Mathews, Jr. .... D29/100

\* cited by examiner

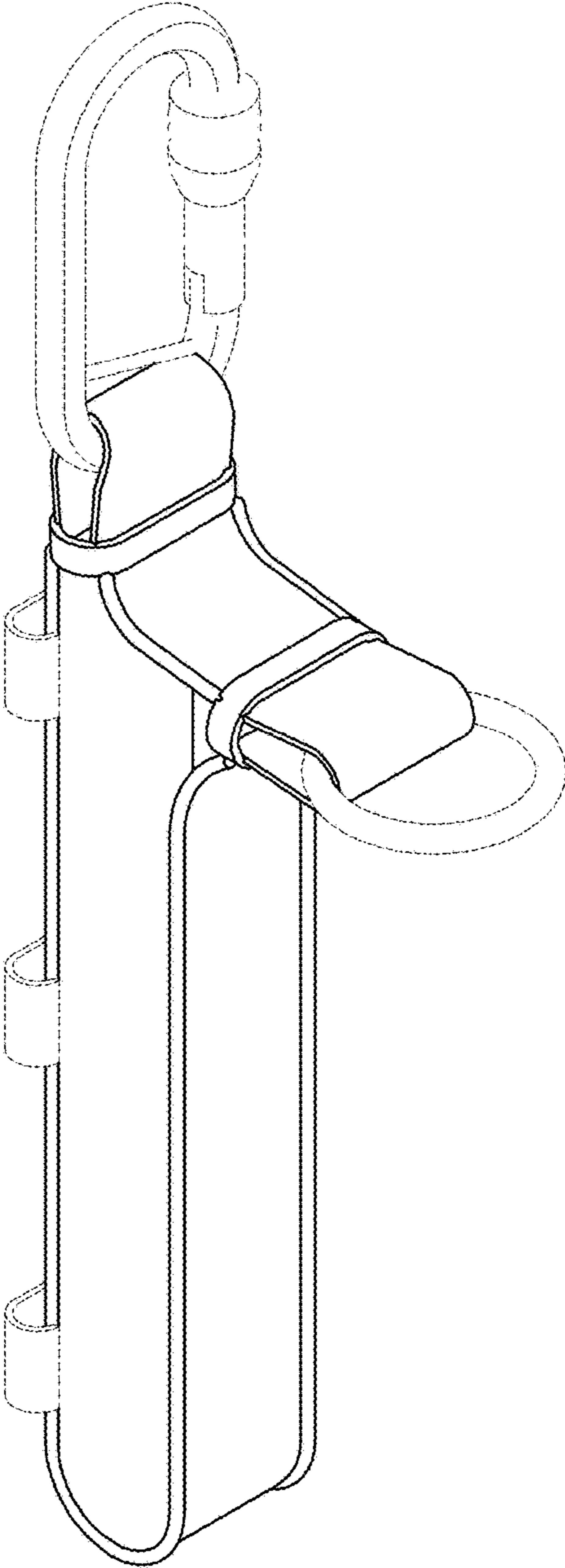
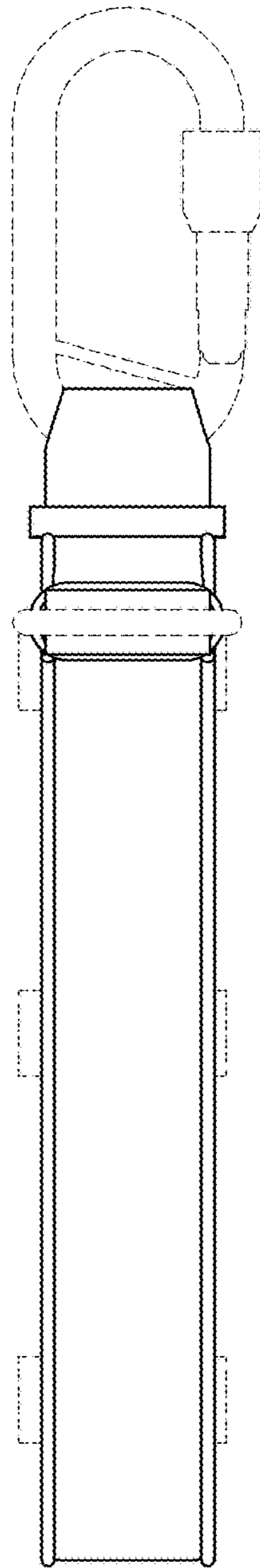
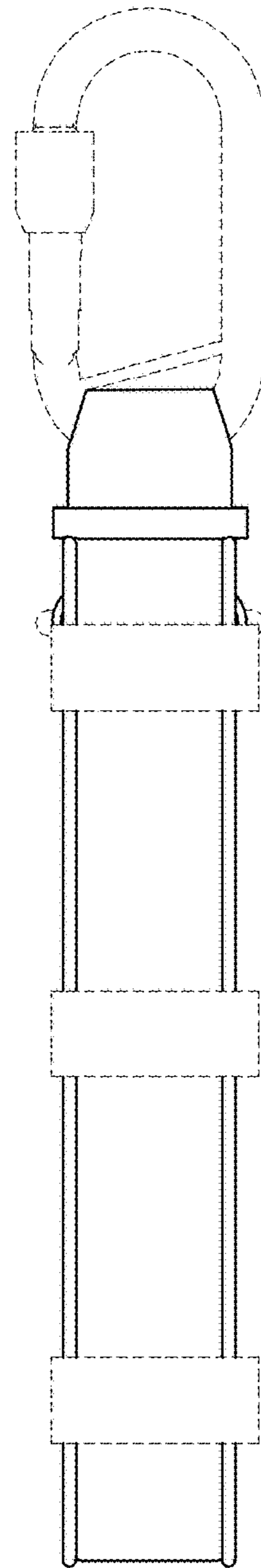


FIG. 1

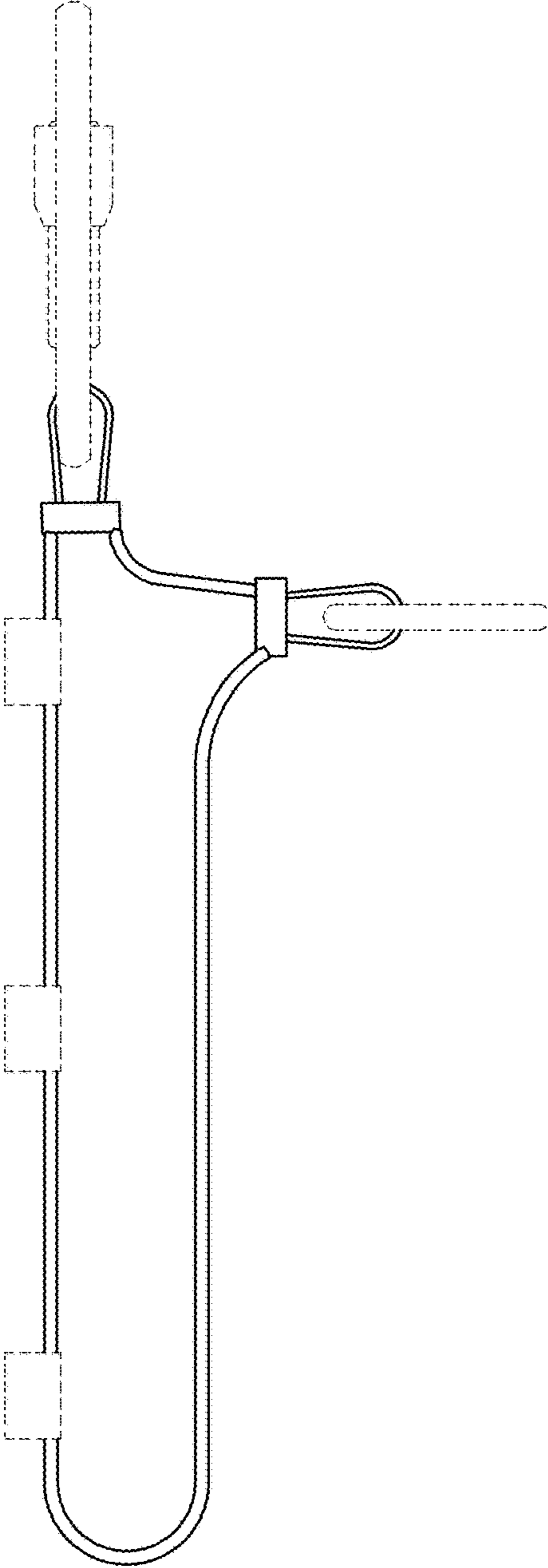


*FIG. 2*



*FIG. 3*

FIG. 4



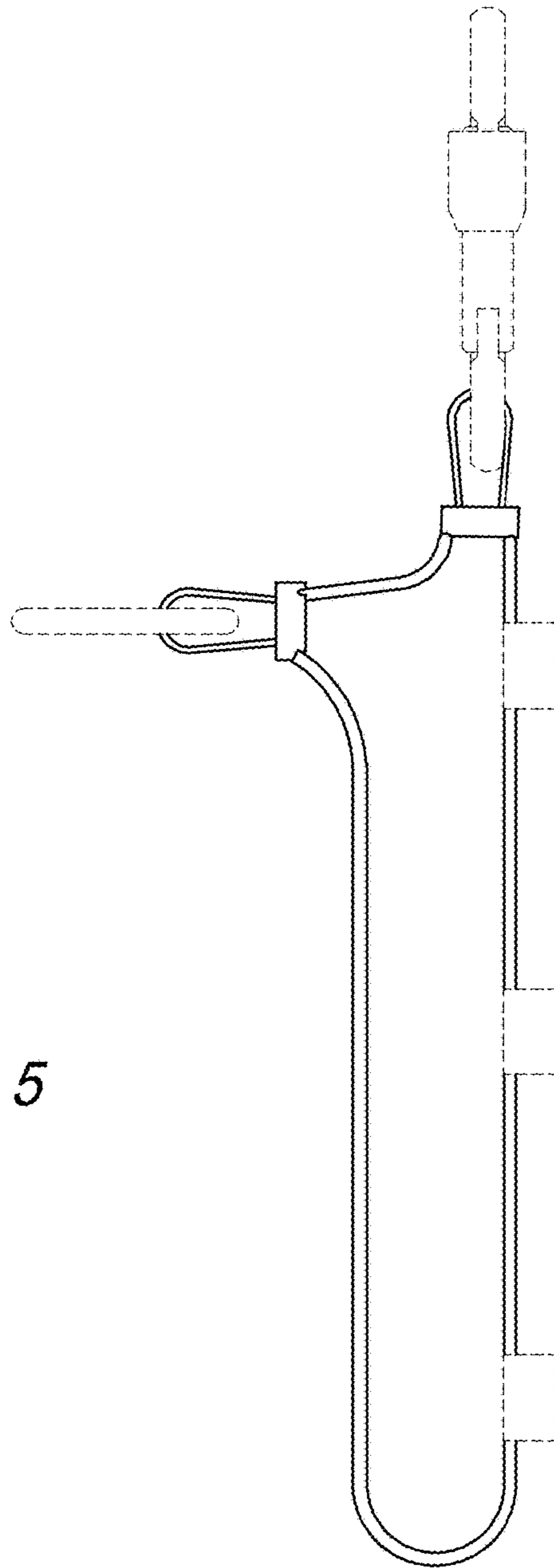
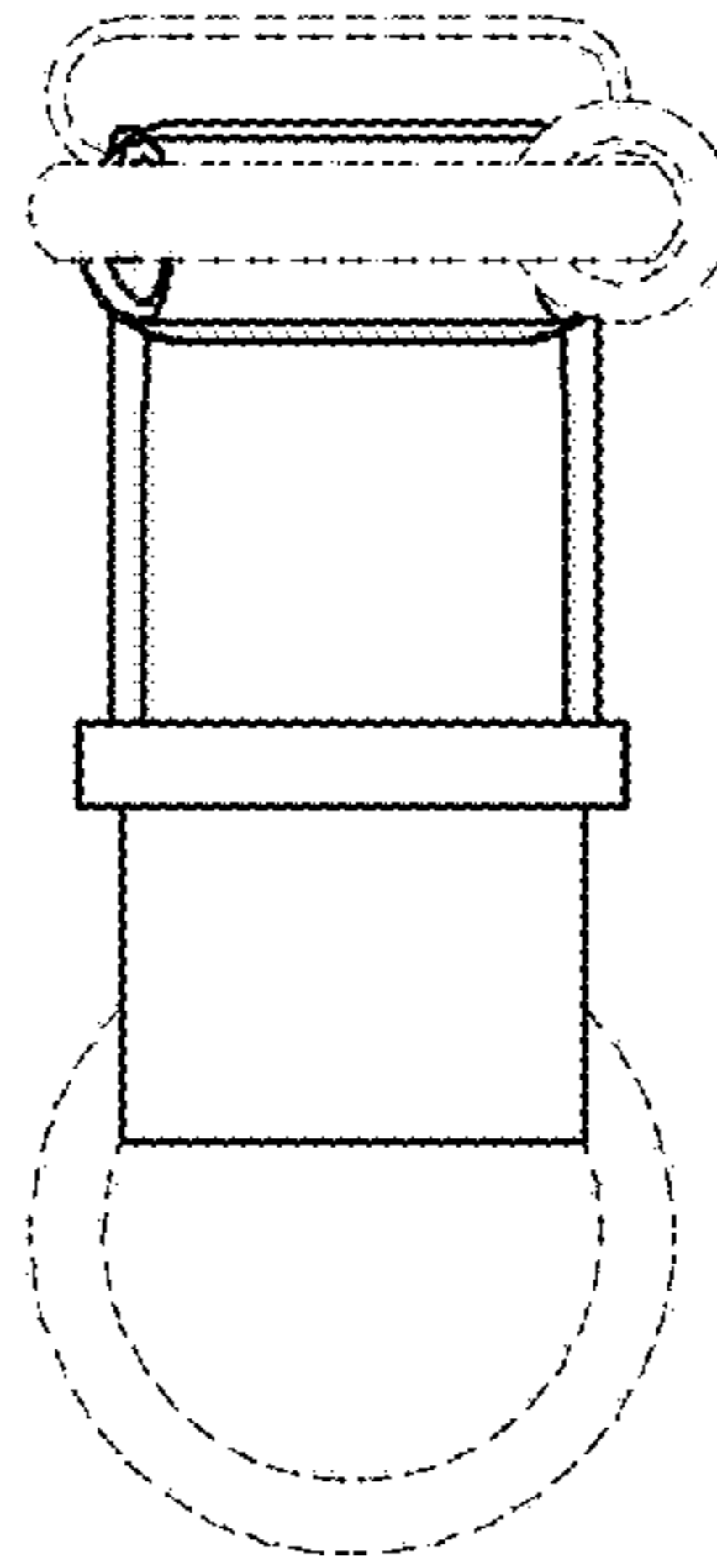
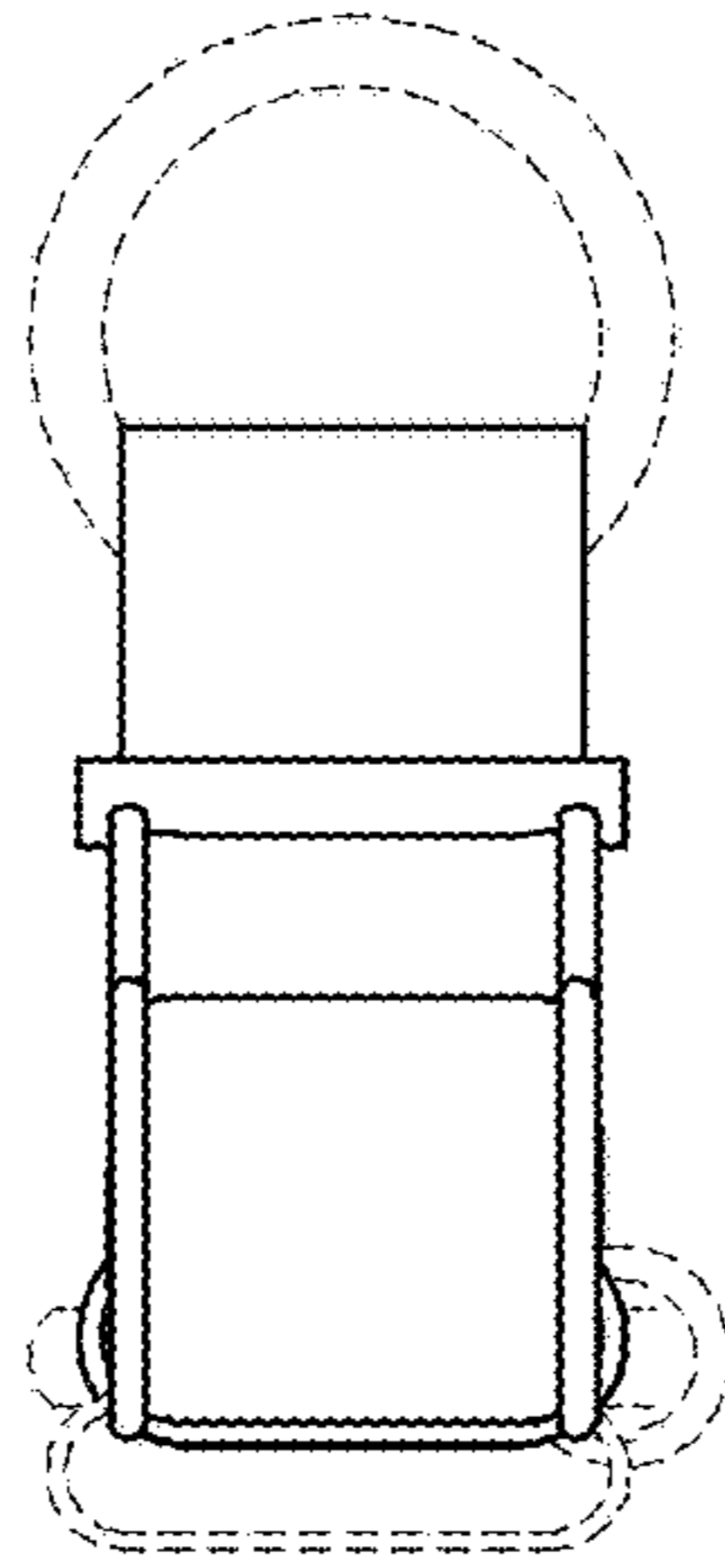


FIG. 5



*FIG. 6*





*FIG. 7*