



US00D847432S

(12) **United States Design Patent** (10) **Patent No.:** **US D847,432 S**
Aulwes et al. (45) **Date of Patent:** **** Apr. 30, 2019**

- (54) **HAIR CLIPPER HOUSING**
- (71) Applicant: **WAHL CLIPPER CORPORATION**,
Sterling, IL (US)
- (72) Inventors: **Chad Aulwes**, Sterling, IL (US);
Dustin Taylor, Ridott, IL (US); **Steven Arndt**, Geneseo, IL (US)
- (73) Assignee: **WAHL CLIPPER CORPORATION**,
Sterling, IL (US)
- (**) Term: **15 Years**
- (21) Appl. No.: **29/614,521**
- (22) Filed: **Aug. 21, 2017**
- (51) **LOC (11) Cl.** **28-03**
- (52) **U.S. Cl.**
USPC **D28/54**
- (58) **Field of Classification Search**
USPC D28/49-54
CPC B26B 19/00-19/08; B26B 19/10-19/107;
B26B 19/20-19/205; B26B
19/38-19/3833; B26B 19/3853-19/3866;
B26B 19/3886
See application file for complete search history.

- (56) **References Cited**
U.S. PATENT DOCUMENTS
D339,213 S * 9/1993 Wahl D28/54
D435,936 S 1/2001 Long et al.
D497,452 S * 10/2004 Nielsen D28/53
D500,392 S 12/2004 Buck, Jr. et al.
D513,344 S 12/2005 Choi
D534,689 S * 1/2007 Gross D28/53
D555,287 S 11/2007 Long et al.
D556,380 S 11/2007 Long
D568,542 S 5/2008 Long et al.
D571,504 S 6/2008 Long et al.
D577,865 S * 9/2008 Long D28/54
D597,253 S * 7/2009 Eddinger D28/54

- D597,254 S 7/2009 Eddinger et al.
 - D675,782 S 2/2013 Buck, Jr.
 - D679,448 S * 4/2013 Erickson D28/54
 - D715,489 S 10/2014 Aulwes et al.
 - D715,490 S 10/2014 Aulwes et al.
 - D758,665 S * 6/2016 Skuhra D28/54
 - D787,746 S * 5/2017 Werner D28/53
 - D790,132 S 6/2017 Aulwes et al.
- (Continued)

OTHER PUBLICATIONS

Japanese Office Action from corresponding Japanese Design Patent Application No. 2018-001696, dated Jun. 19, 2018.

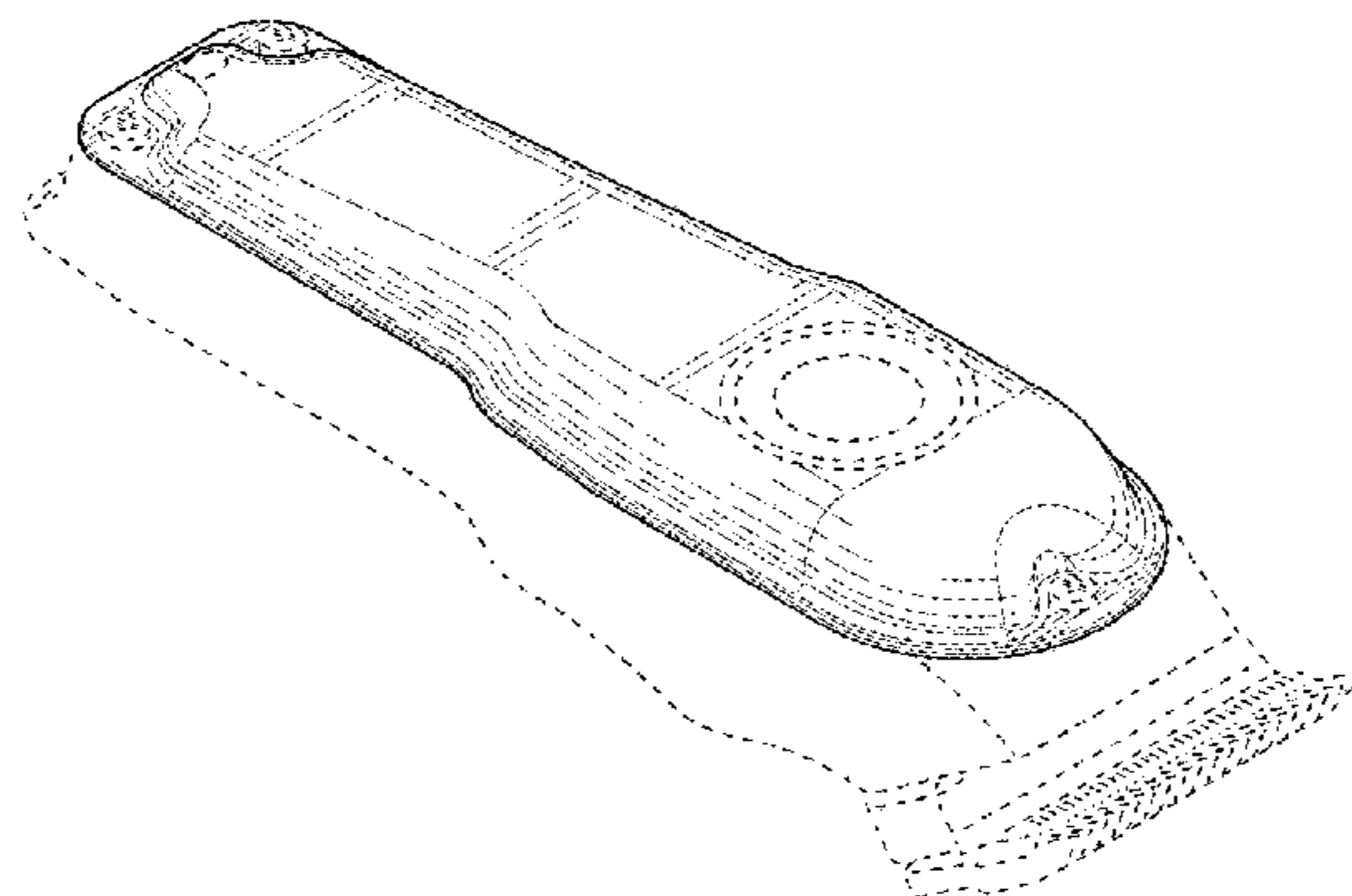
Primary Examiner — Jennifer Rivard
(74) *Attorney, Agent, or Firm* — Greer, Burns & Crain, Ltd.

- (57) **CLAIM**
The ornamental design for the hair clipper housing, as shown and described.

DESCRIPTION

FIG. 1 is a top front perspective view of the present hair clipper housing;
FIG. 2 is a top rear perspective view of the present hair clipper housing;
FIG. 3 is a left side view of same;
FIG. 4 is a right side view of same;
FIG. 5 is a front view of the hair clipper housing of FIG. 1;
FIG. 6 is a rear view of same;
FIG. 7 is a top view of the hair clipper housing of FIG. 1; and,
FIG. 8 is a bottom view of same.
The unshaded, broken line features shown on the housing illustrate portions of the hair clipper housing that form no part of the claimed design. The remaining broken lines illustrate the environment and form no part of the claimed design.

1 Claim, 5 Drawing Sheets



(56)

References Cited

U.S. PATENT DOCUMENTS

D790,133 S *	6/2017	Aulwes	D28/54
D821,652 S *	6/2018	Skuhra	D28/53
10,059,013 B2 *	8/2018	Skuhra	B26B 19/3866
2003/0051346 A1 *	3/2003	McCambridge	B26B 19/06 30/122
2013/0192068 A1 *	8/2013	Kammer	B26B 19/386 30/43.9
2013/0200823 A1 *	8/2013	Chan	H02K 33/16 318/3

* cited by examiner

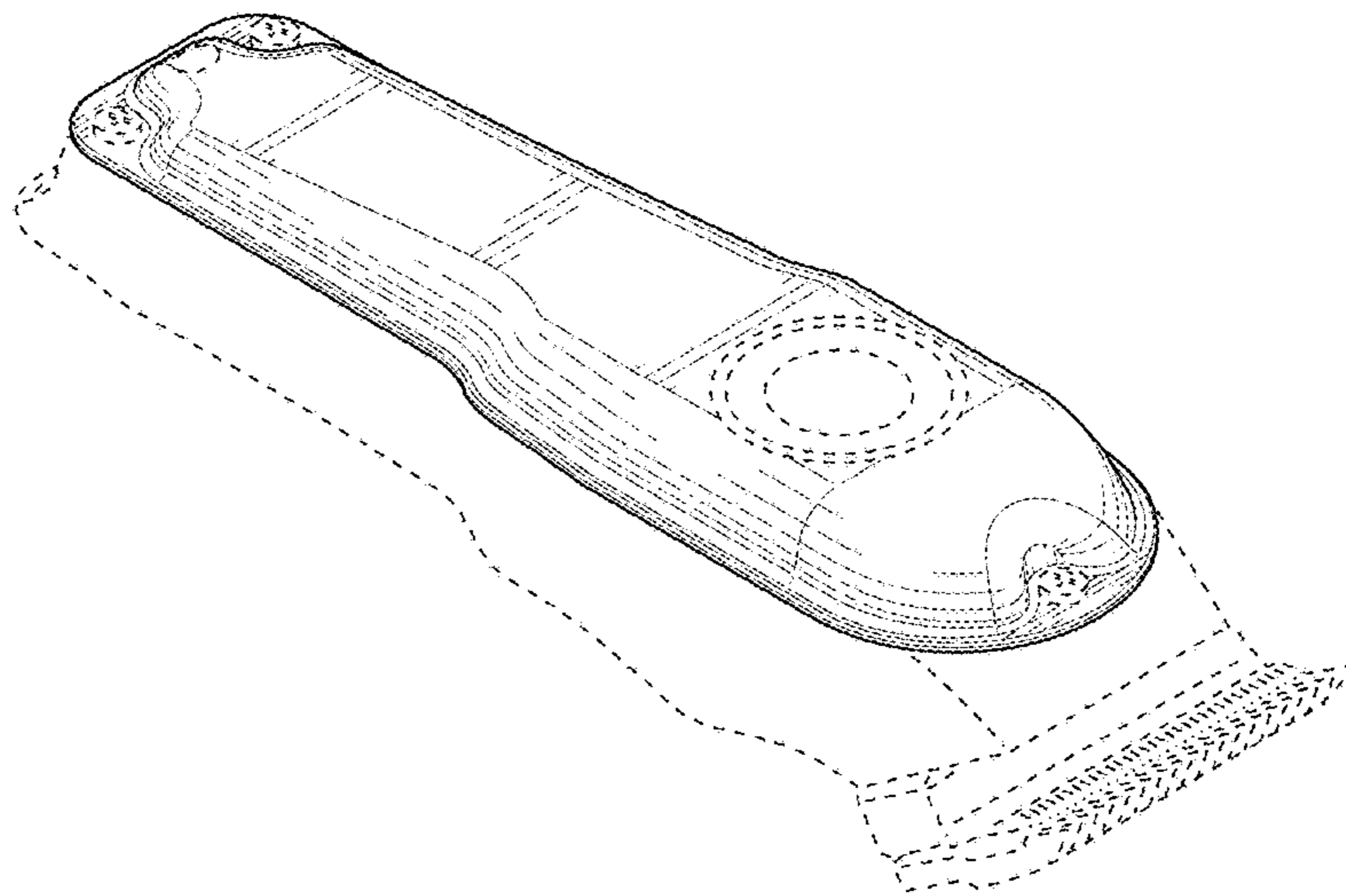


FIG. 1

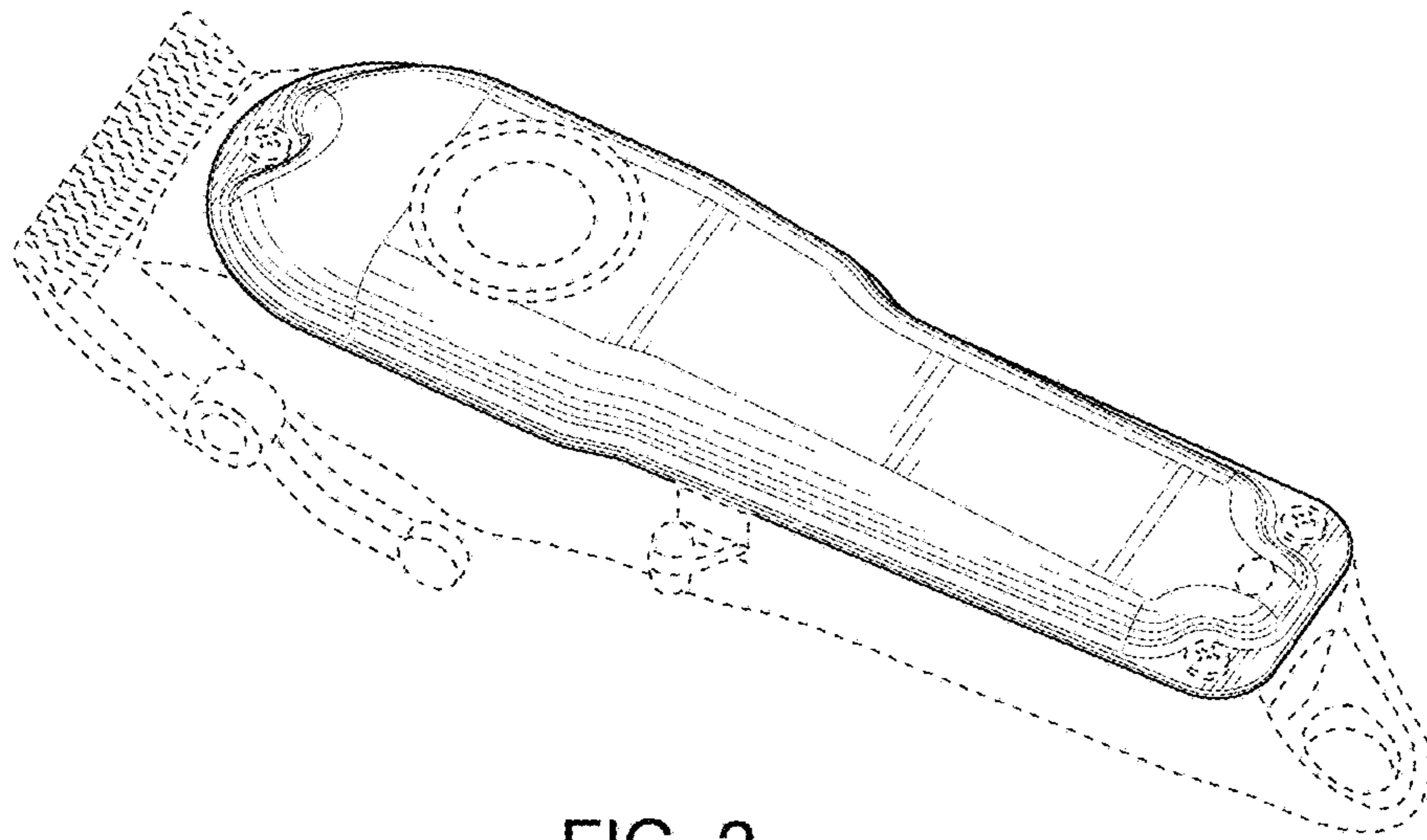


FIG. 2

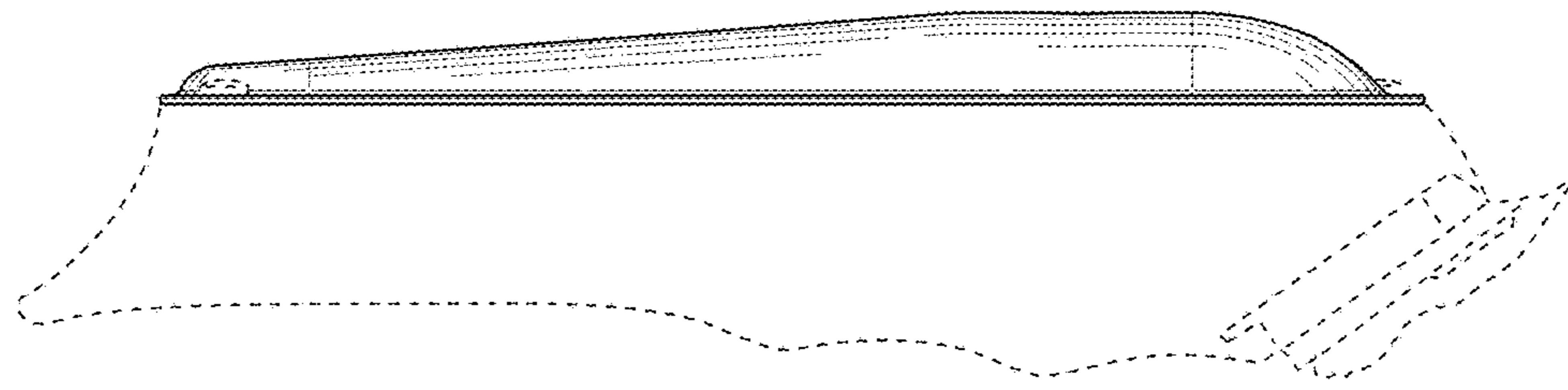


FIG. 3

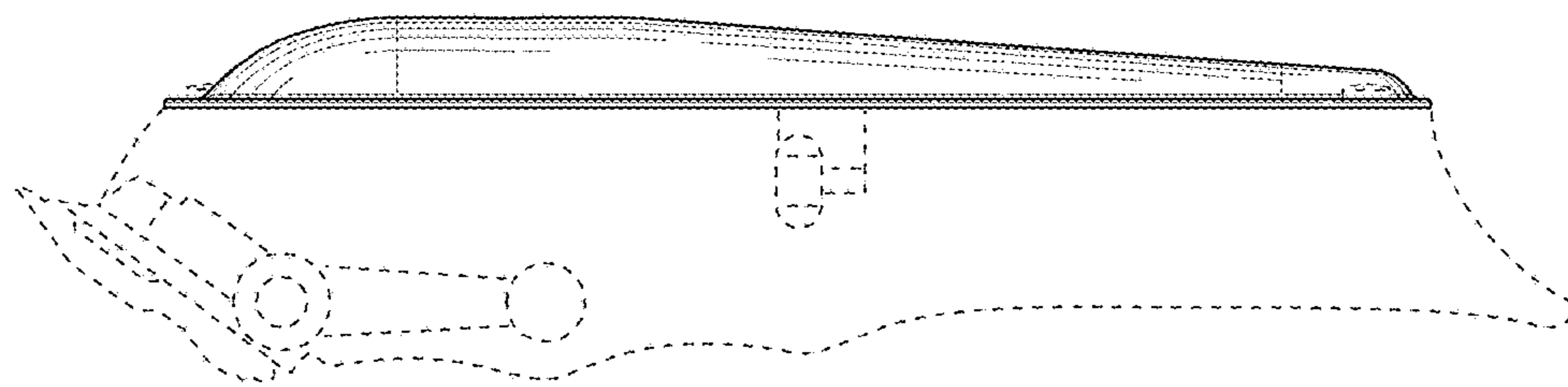


FIG. 4

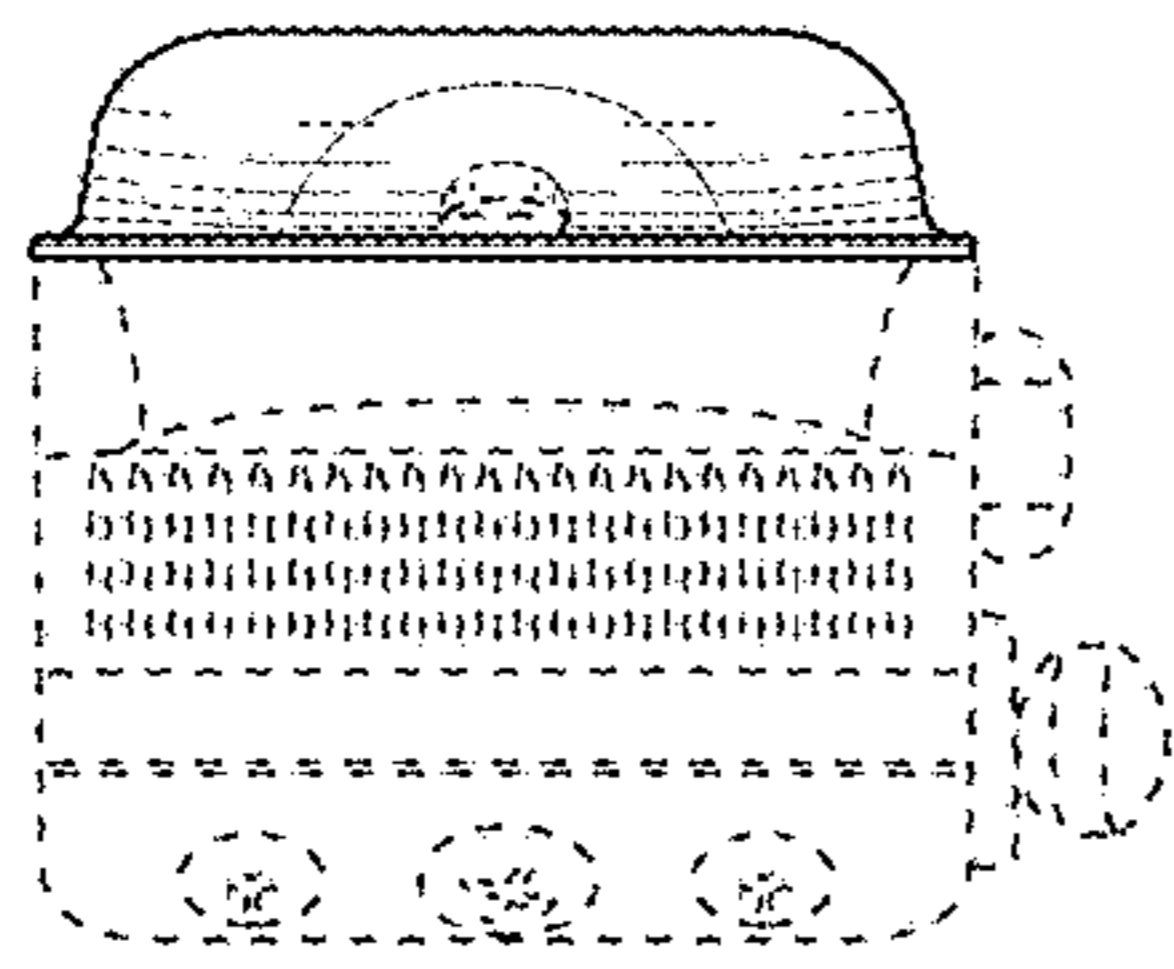


FIG. 5

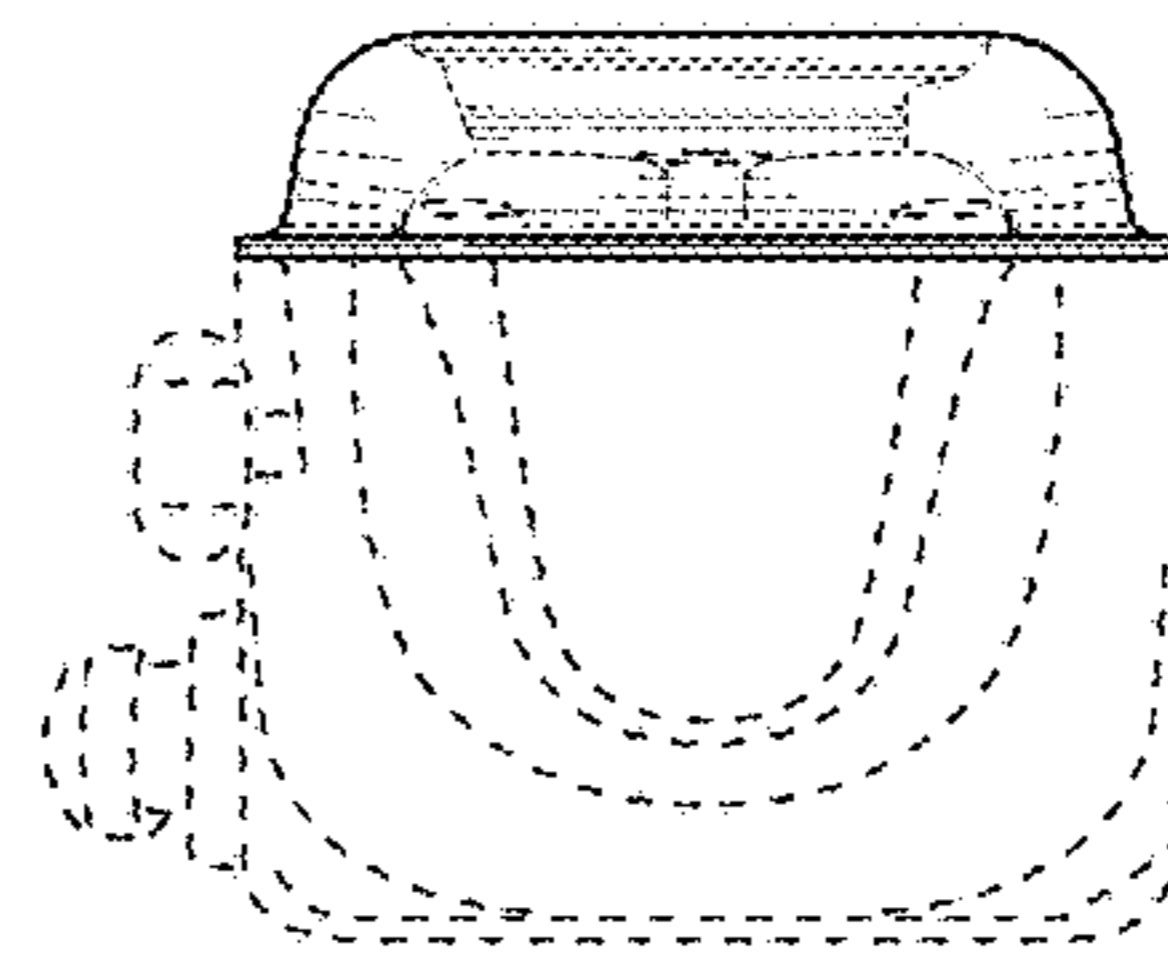


FIG. 6

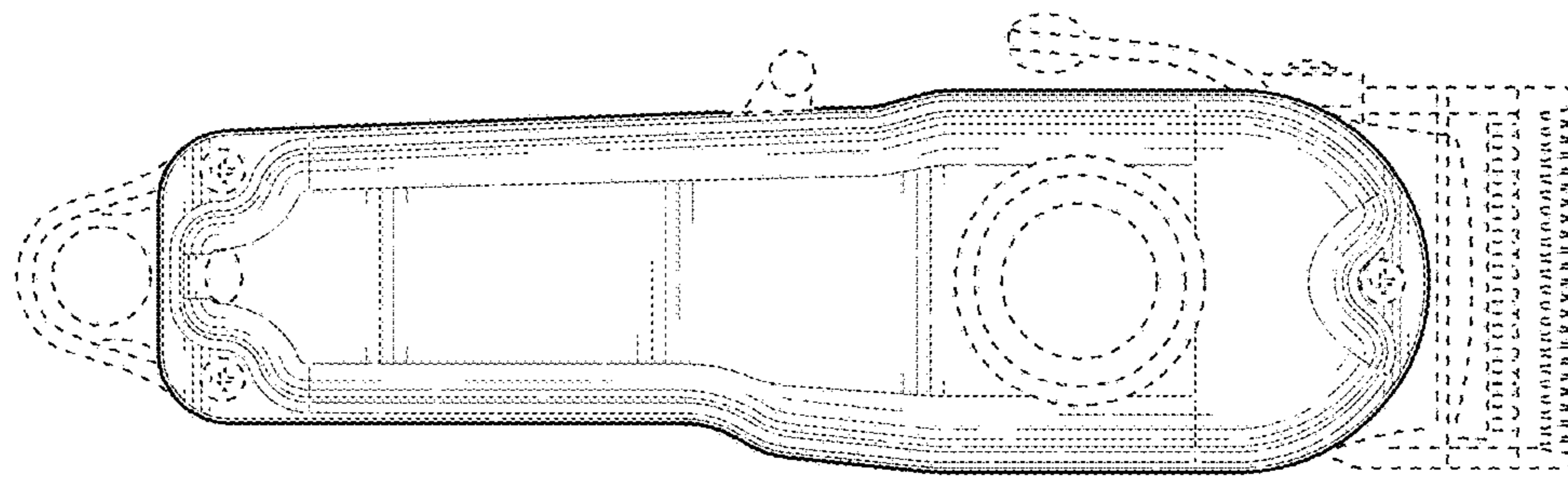


FIG. 7

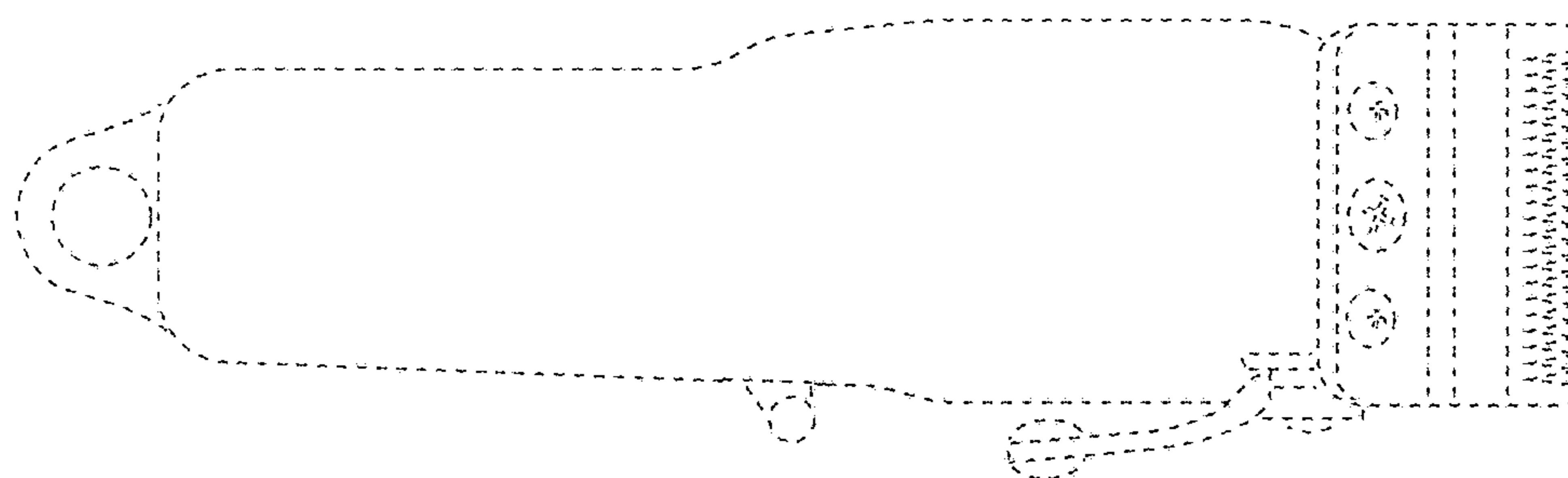


FIG. 8