

US00D847431S

(12) **United States Design Patent** (10) **Patent No.:** **US D847,431 S**
Aulwes et al. (45) **Date of Patent:** **** Apr. 30, 2019**

(54) **HAIR CUTTING DEVICE HOUSING**

(71) Applicant: **WAHL CLIPPER CORPORATION**,
Sterling, IL (US)

(72) Inventors: **Chad Aulwes**, Sterling, IL (US); **Jeff Fleming**, Dixon, IL (US); **Matthew Whittaker**, Rock Falls, IL (US)

(73) Assignee: **WAHL CLIPPER CORPORATION**,
Sterling, IL (US)

(**) Term: **15 Years**

(21) Appl. No.: **29/616,063**

(22) Filed: **Sep. 1, 2017**

(51) **LOC (11) Cl.** **28-03**

(52) **U.S. Cl.**
USPC **D28/53**

(58) **Field of Classification Search**
USPC D28/49–54
CPC B26B 19/00–19/08; B26B 19/10–19/107;
B26B 19/20–19/205; B26B
19/38–19/3833; B26B 19/3853–19/3866;
B26B 19/3886
See application file for complete search history.

(56) **References Cited**

U.S. PATENT DOCUMENTS

D454,980 S	3/2002	Long et al.	
D455,230 S *	4/2002	Lau	D28/53
D497,452 S *	10/2004	Nielsen	D28/53
D500,392 S *	12/2004	Buck, Jr.	D28/54
D555,286 S	11/2007	Long	
D577,865 S *	9/2008	Long	D28/54
D582,604 S	12/2008	Eddinger et al.	
D582,605 S	12/2008	Eddinger et al.	
D597,253 S *	7/2009	Eddinger	D28/54
D597,254 S	7/2009	Eddinger et al.	
D674,556 S *	1/2013	Weinberg	D28/53

D675,782 S *	2/2013	Buck, Jr.	D28/54
D679,448 S	4/2013	Erickson et al.	
D682,471 S *	5/2013	Yde	D28/53
D700,998 S *	3/2014	Aulwes	D28/54
D700,999 S *	3/2014	Aulwes	D28/54
D715,489 S *	10/2014	Aulwes	D28/54
D715,490 S *	10/2014	Aulwes	D28/54
D750,325 S *	2/2016	Nho	D28/53
D751,759 S	3/2016	Aulwes et al.	
D751,760 S	3/2016	Zachrich et al.	
D758,665 S *	6/2016	Skuhra	D28/54
D790,132 S	6/2017	Aulwes et al.	
D790,133 S	6/2017	Aulwes et al.	
D800,965 S *	10/2017	Aulwes	D28/53
D821,652 S *	6/2018	Skuhra	D28/53

(Continued)

Primary Examiner — Jennifer Rivard

(74) *Attorney, Agent, or Firm* — Greer, Burns & Crain, Ltd.

(57) **CLAIM**

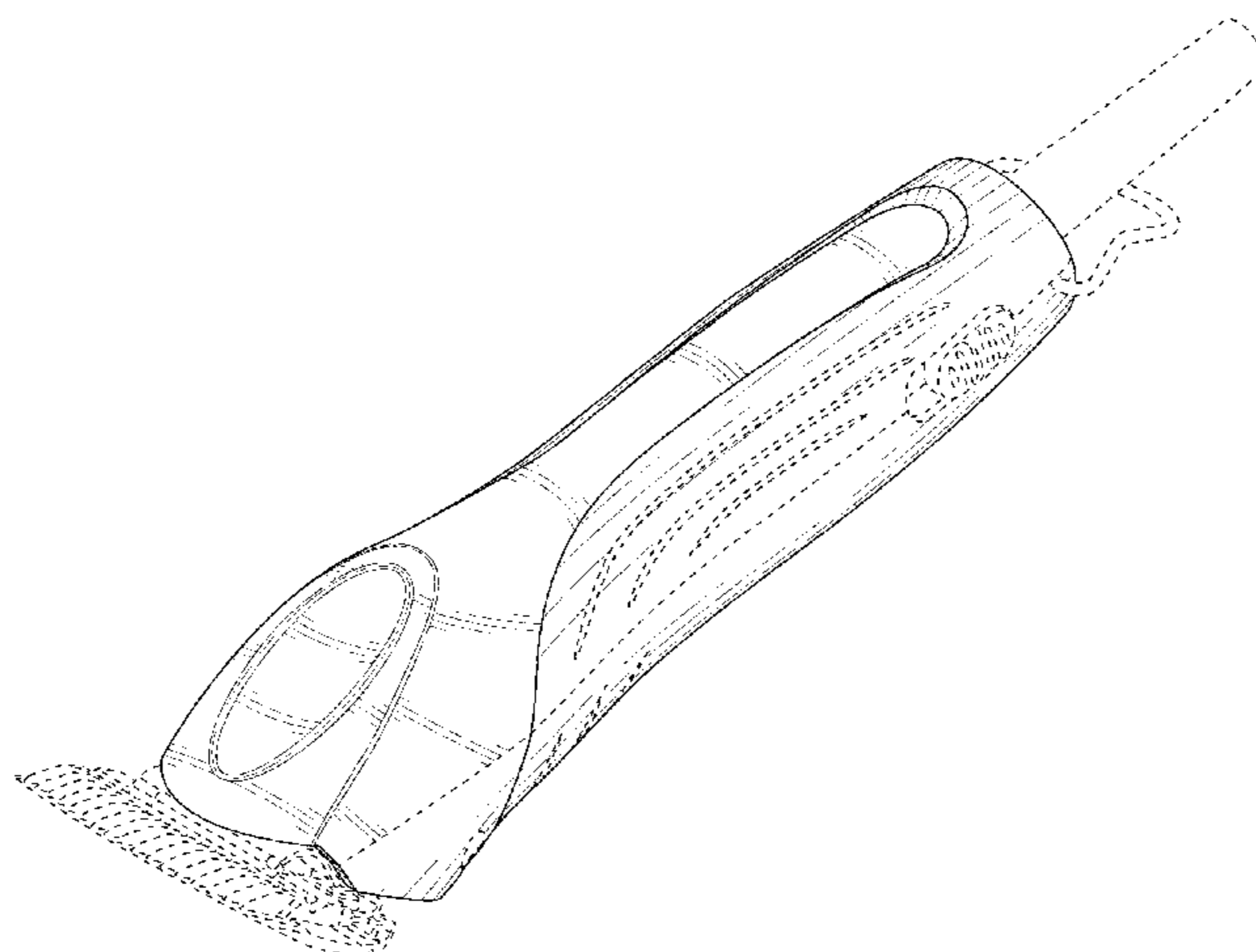
The ornamental design for the hair cutting device housing, as shown and described.

DESCRIPTION

FIG. 1 is a top perspective view of the present hair cutting device housing;
FIG. 2 is a left side view of same;
FIG. 3 is a right side view of the hair cutting device housing of FIG. 1;
FIG. 4 is a front view of same;
FIG. 5 is a rear view of the hair cutting device housing of FIG. 1;
FIG. 6 is a top view of same; and,
FIG. 7 is a bottom view of same.

The unshaded, broken line features shown on the housing illustrate portions of the hair clipper device housing that form no part of the claimed design. The remaining broken lines illustrate the environment and form no part of the claimed design.

1 Claim, 6 Drawing Sheets



(56)

References Cited

U.S. PATENT DOCUMENTS

10,059,013 B2 * 8/2018 Skuhra B26B 19/3866
2013/0200823 A1 * 8/2013 Chan H02K 33/16
318/3
2014/0338199 A1 * 11/2014 Erickson B26B 19/06
30/216
2016/0303749 A1 * 10/2016 Ziegler B26B 19/06

* cited by examiner

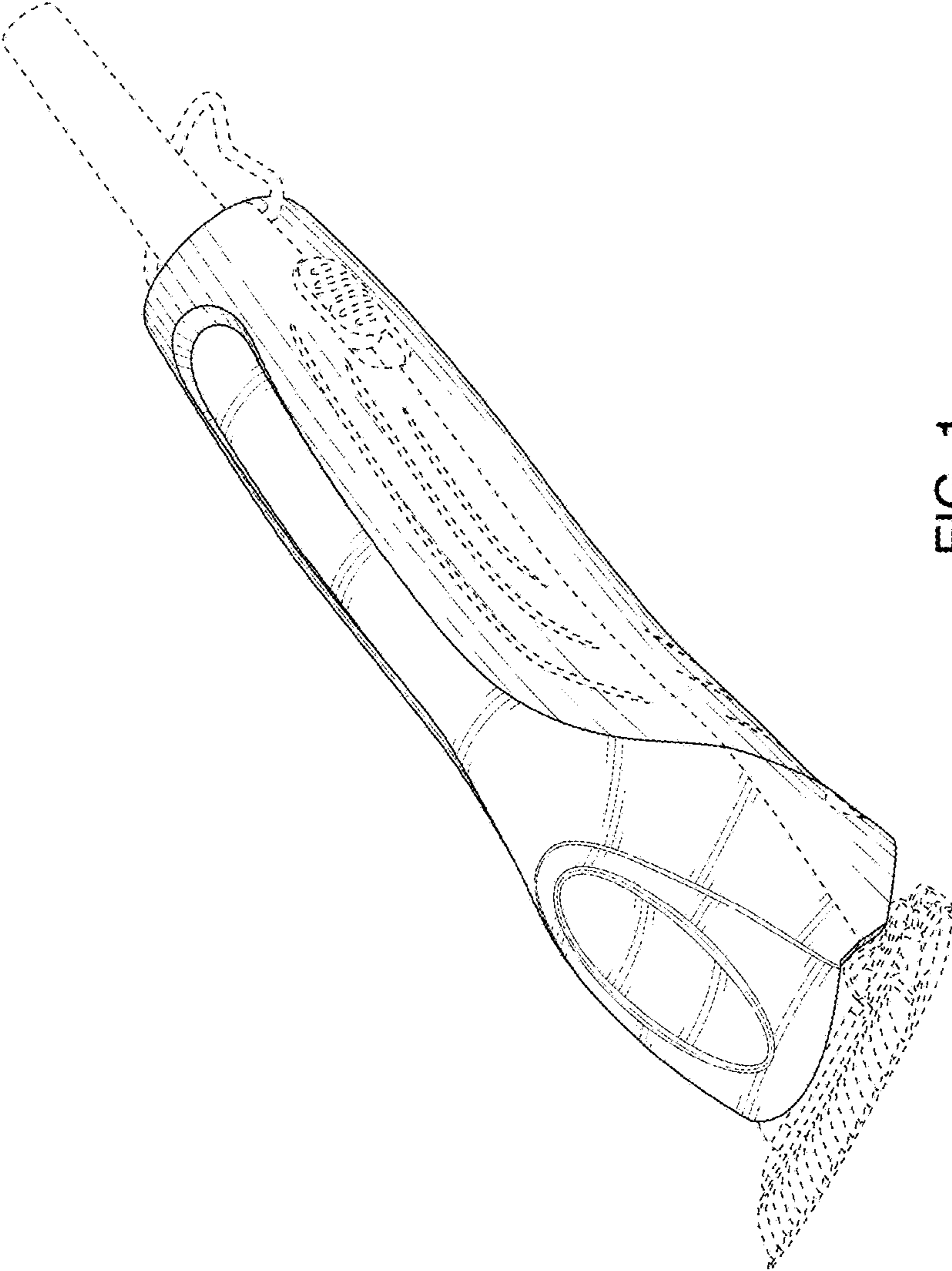


FIG. 1

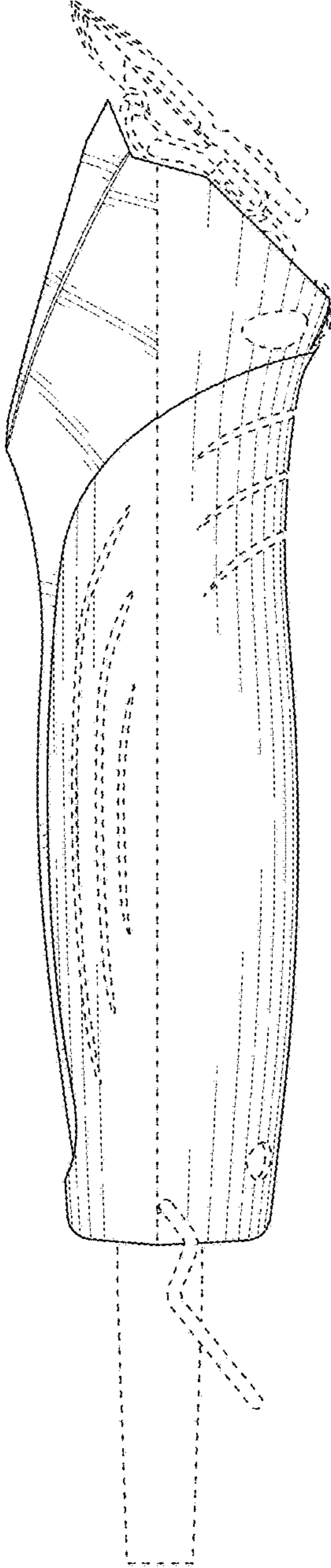


FIG. 2

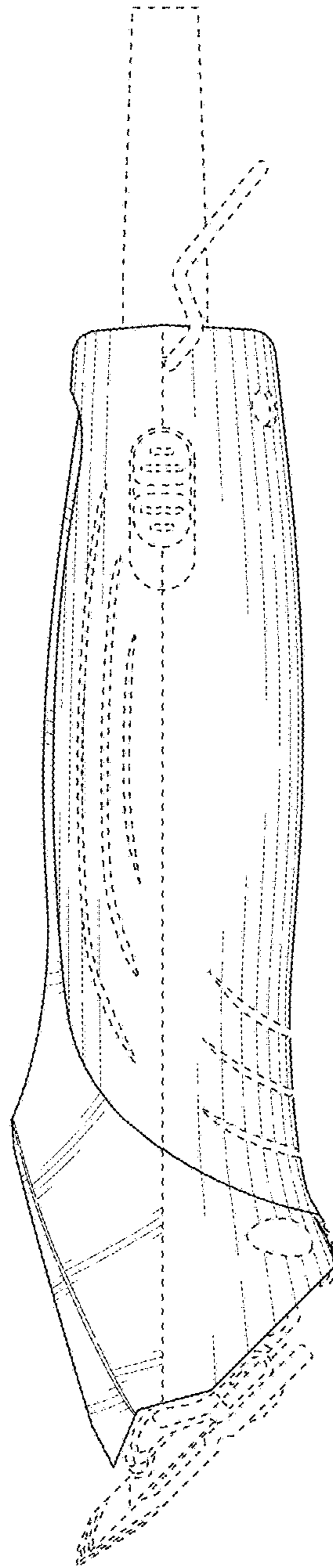


FIG. 3

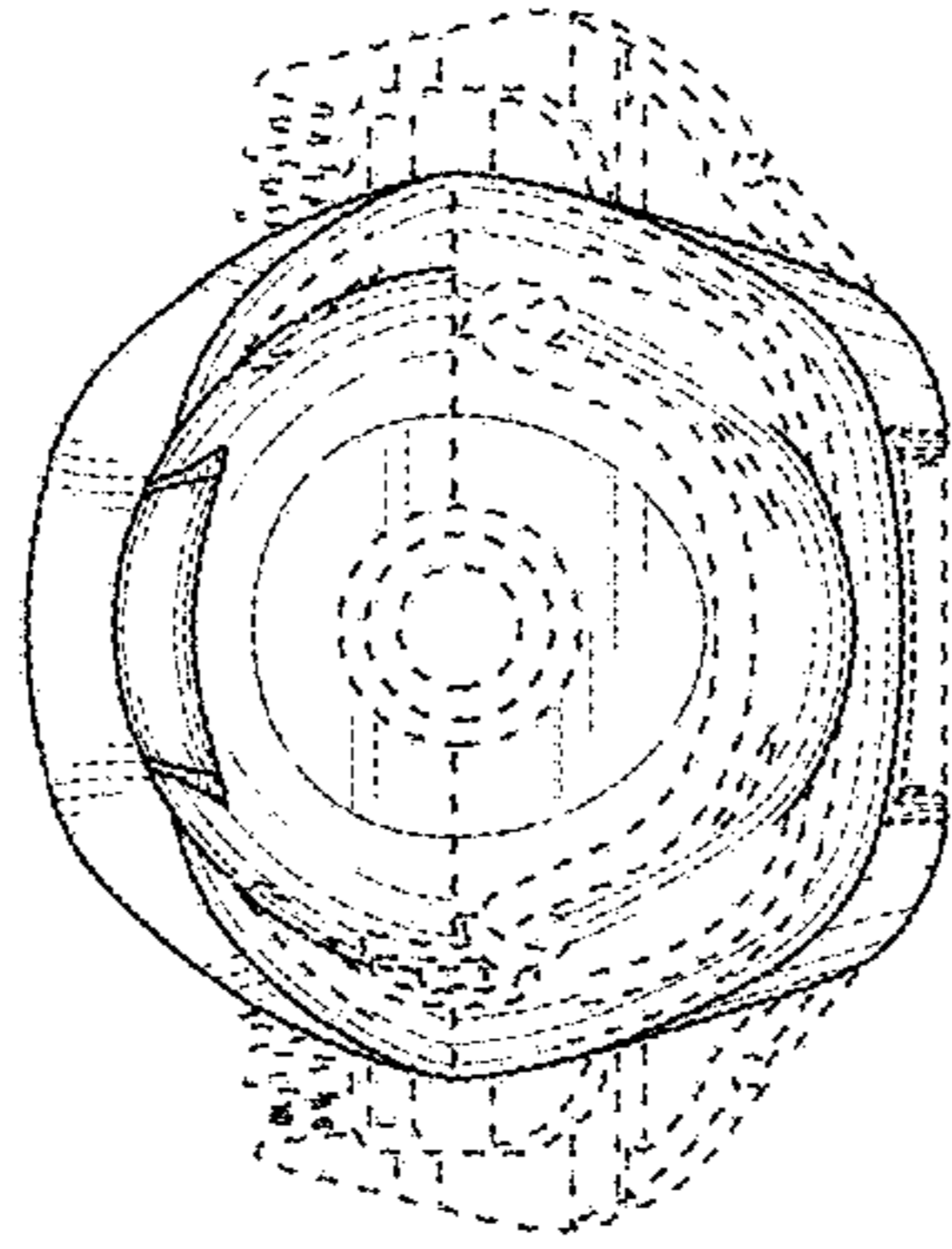


FIG. 5

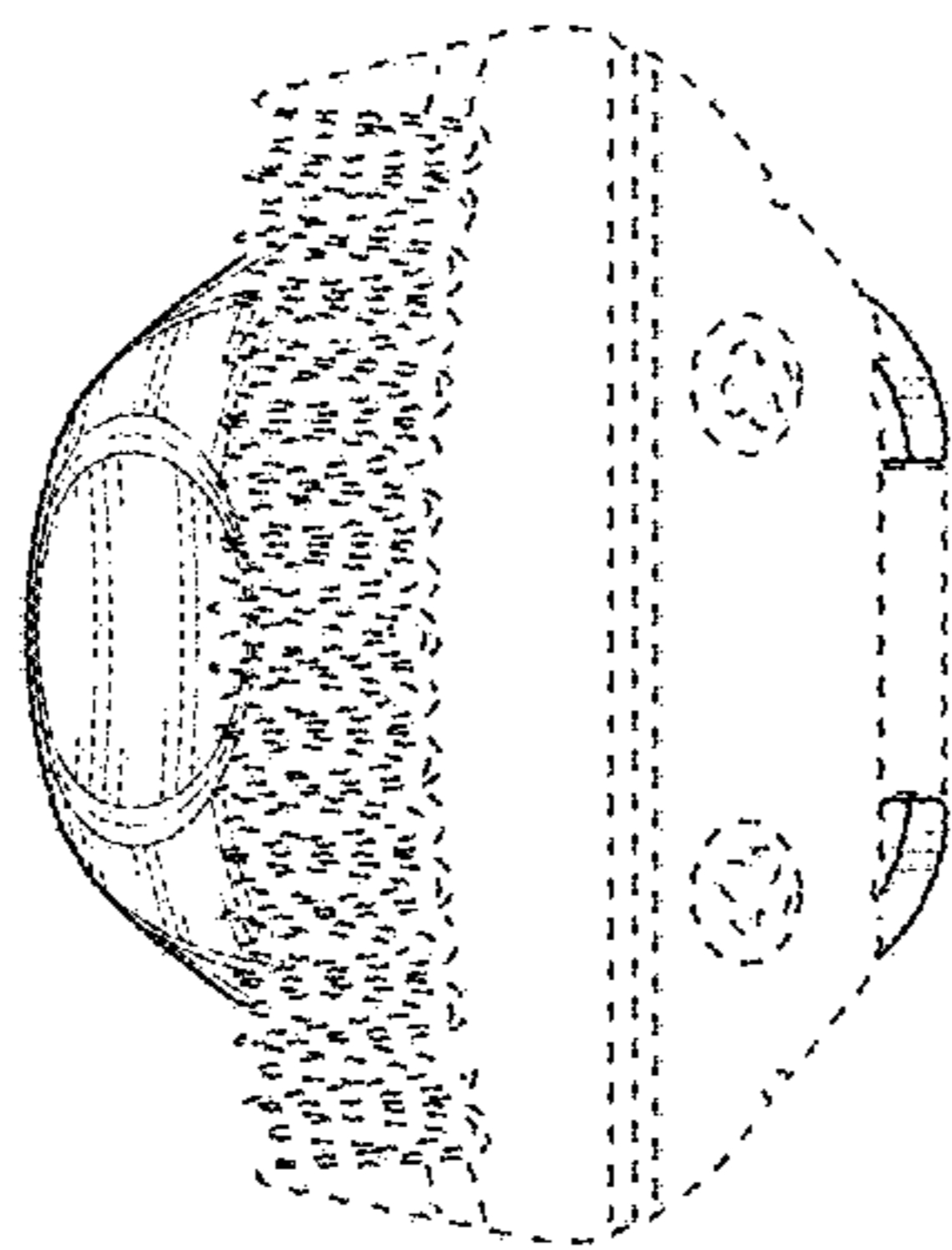


FIG. 4

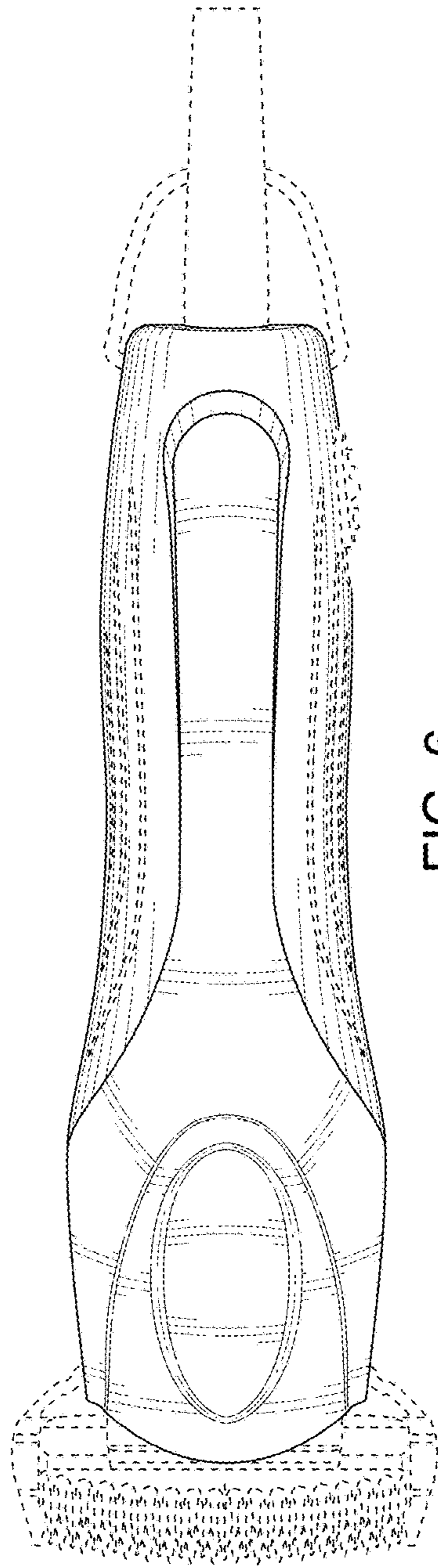


FIG. 6

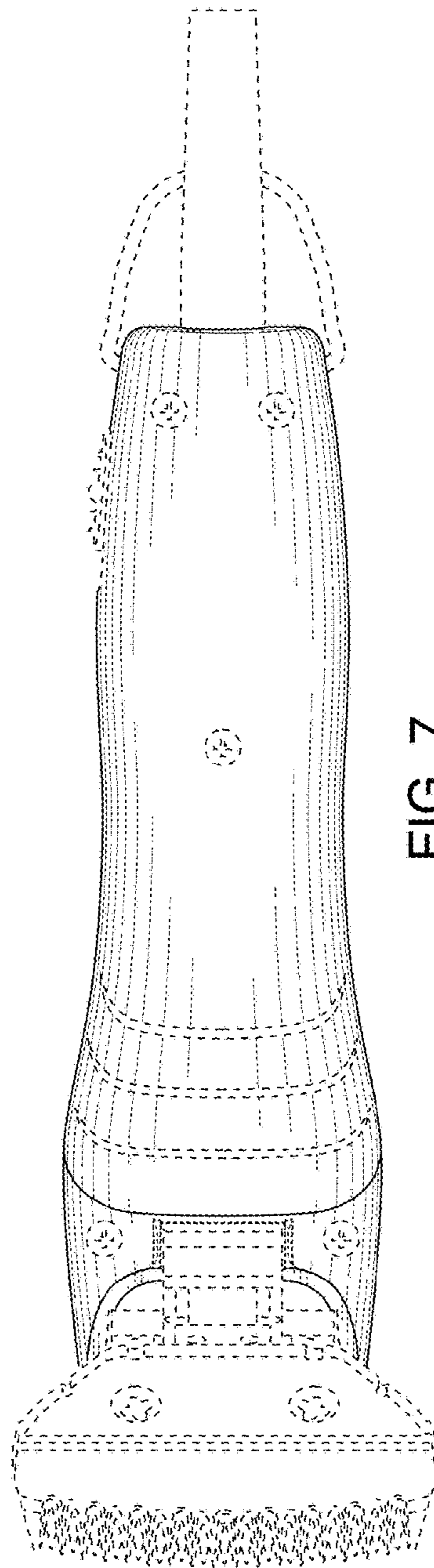


FIG. 7