



US00D847419S

(12) **United States Design Patent**
Hawes et al.

(10) **Patent No.:** **US D847,419 S**
(45) **Date of Patent:** **** Apr. 30, 2019**

(54) **ELECTRONIC VAPING DEVICE**

3,587,573 A 6/1971 Flack
3,720,235 A 3/1973 Schrock
D229,725 S 12/1973 Berger
(Continued)

(71) Applicant: **Altria Client Services LLC**,
Richmond, VA (US)

(72) Inventors: **Eric Hawes**, Richmond, VA (US);
Traci Martin, Richmond, VA (US);
Melissa Burroughs, Richmond, VA
(US); **Berina Yerkic-Husejnovic**,
Richmond, VA (US); **Raymond Lau**,
Richmond, VA (US); **Christopher S.**
Tucker, Midlothian, VA (US); **Anthony**
Dibitonto, Richmond, VA (US); **Marc**
Sauriol, Richmond, VA (US); **George**
Stafford, Richmond, VA (US); **Jamie**
Nicholson, Richmond, VA (US); **Mark**
Breneman, Richmond, VA (US);
Alistair Bramley, Richmond, VA (US)

FOREIGN PATENT DOCUMENTS

CN 20290464 U 4/2013
WO WO-2013089358 A1 6/2013

(73) Assignee: **ALTRIA CLIENT SERVICES, LLC**,
Richmond, VA (US)

OTHER PUBLICATIONS

The detail view of Handle of Moen Chrome Single Handle refer-
ence. by Old Country House Blog. dated Jul. 5, 2013. found online
[Jan. 29, 2018] [http://myoldcountryhouse.com/wp-content/uploads/
2013/07/7185c.jpg](http://myoldcountryhouse.com/wp-content/uploads/2013/07/7185c.jpg).*

(Continued)

Primary Examiner — Marissa J Cash

(74) *Attorney, Agent, or Firm* — Harness, Dickey &
Pierce, PLC

(**) Term: **15 Years**

(57) **CLAIM**

The ornamental design for an electronic vaping device, as
shown and described.

(21) Appl. No.: **29/545,527**

DESCRIPTION

(22) Filed: **Nov. 13, 2015**

(51) **LOC (11) Cl.** **27-99**

(52) **U.S. Cl.**
USPC **D27/194**

(58) **Field of Classification Search**
USPC D27/100, 101, 162-170, 172-195;
D11/146

CPC A24F 1/30; A24F 47/002; A24F 9/14
See application file for complete search history.

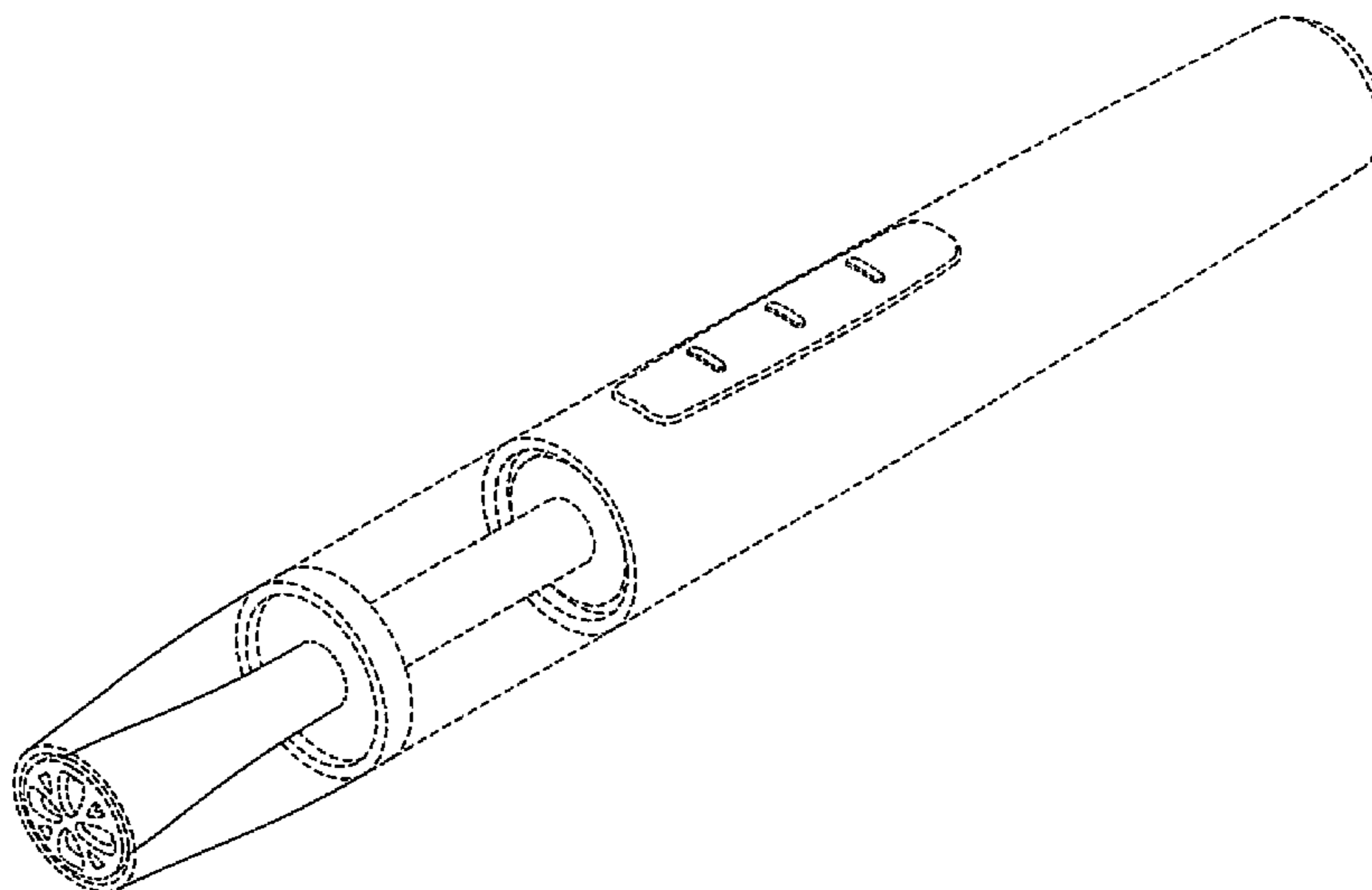
FIG. 1 is a perspective view of the electronic vaping device;
FIG. 2 is another perspective view of the electronic vaping
device;
FIG. 3 is a top view of the electronic vaping device
FIG. 4 is a bottom view of the electronic vaping device;
FIG. 5 is a first side view of the electronic vaping device;
FIG. 6 is an opposite side view of the first side view of the
electronic vaping device;
FIG. 7 is a front view of the electronic vaping device; and,
FIG. 8 is a rear view of the electronic vaping device.
The broken lines in the drawings depict portions of the
electronic vaping device that form no part of the claimed
design.

(56) **References Cited**

U.S. PATENT DOCUMENTS

D142,842 S * 11/1945 Daze D27/170
D212,753 S 11/1968 Tughan

1 Claim, 5 Drawing Sheets



US D847,419 S

Page 2

(56)

References Cited

U.S. PATENT DOCUMENTS

D229,788	S	1/1974	Berger	D724,262	S	3/2015	Heam et al.
D229,789	S	1/1974	Berger	D724,779	S	3/2015	Liu
D229,790	S	1/1974	Berger	D724,780	S	3/2015	Wu
D254,930	S	5/1980	Mandon et al.	D724,781	S	3/2015	Heam et al.
D254,931	S	5/1980	Mandon et al.	D724,782	S	* 3/2015	Wu D27/101
D267,121	S	11/1982	Min	D725,821	S	3/2015	Levin et al.
4,429,703	A	2/1984	Haber	D727,564	S	4/2015	LaForge et al.
D275,223	S	8/1984	Marxen	D727,565	S	4/2015	LaForge et al.
4,945,929	A	8/1990	Egilmex	D728,154	S	4/2015	Lavanchy et al.
5,042,510	A	8/1991	Curtiss et al.	D728,155	S	4/2015	Liu
5,095,921	A	3/1992	Losee et al.	D728,156	S	* 4/2015	Wu D27/101
5,179,966	A	1/1993	Losee et al.	D728,852	S	5/2015	Hearn et al.
5,269,327	A	12/1993	Counts et al.	D729,439	S	5/2015	Scatterday
D347,490	S	5/1994	Gee et al.	D729,440	S	* 5/2015	Liu D27/101
D375,159	S	10/1996	Johansson	D729,441	S	* 5/2015	Hua D27/101
D379,553	S	5/1997	DiGianni	D730,571	S	5/2015	Chen
D384,283	S	9/1997	Davies et al.	9,050,427	B2	6/2015	Harris et al.
D404,459	S	1/1999	Furner et al.	D738,038	S	9/2015	Smith
D404,629	S	1/1999	Cooper	D738,567	S	9/2015	Tucker et al.
D405,220	S	2/1999	Dal Monte	D739,598	S	9/2015	Lavanchy et al.
6,061,950	A	5/2000	Carey et al.	D739,601	S	* 9/2015	Bahbah D27/170
6,231,336	B1	5/2001	Chen	D742,021	S	10/2015	Labuschagne et al.
6,357,448	B1	3/2002	Sinclair, Jr.	D743,097	S	11/2015	Tucker et al.
6,649,268	B1	11/2003	Komine et al.	D743,622	S	11/2015	Alima
D484,963	S	1/2004	Jones et al.	D747,037	S	1/2016	Spielman
D485,639	S	* 1/2004	Strosski D27/170	D747,547	S	1/2016	Liu
D489,679	S	5/2004	Wong	D747,548	S	1/2016	Mayor
D497,423	S	10/2004	Muir et al.	D748,323	S	1/2016	Tucker et al.
D508,199	S	8/2005	Winig et al.	D749,261	S	2/2016	Chen
D534,682	S	1/2007	Malhi	D749,509	S	2/2016	Blau
D548,086	S	8/2007	Conway et al.	D749,780	S	2/2016	Bramley et al.
D550,378	S	9/2007	Adams et al.	D750,834	S	3/2016	Wei
D550,829	S	9/2007	Buthier et al.	D752,278	S	3/2016	Verleur et al.
D555,085	S	11/2007	Kim	D752,279	S	3/2016	Liu
D590,988	S	4/2009	Hon	D754,916	S	4/2016	Irvin
D590,991	S	4/2009	Hon	D754,919	S	4/2016	Alarcon et al.
D591,415	S	4/2009	Wu	D755,440	S	5/2016	Collen
D633,034	S	2/2011	Heine et al.	D756,031	S	5/2016	Wu
D641,464	S	7/2011	De Haan et al.	D756,564	S	5/2016	Yerkic-Husejnovic et al.
D644,375	S	8/2011	Zhou	D757,352	S	5/2016	Bagai
8,002,897	B2	8/2011	Palfy et al.	D758,650	S	6/2016	Wu
D646,431	S	10/2011	Awty et al.	D758,654	S	* 6/2016	Liu D27/163
D651,338	S	12/2011	Awty et al.	D760,430	S	6/2016	Hanna
D653,989	S	* 2/2012	Falduto D11/146	D760,948	S	7/2016	Eksouzian
D662,257	S	6/2012	Alelov	D760,952	S	7/2016	Mayor
D684,311	S	6/2013	Liu	D761,998	S	7/2016	Pinder
D685,218	S	* 7/2013	Willat D7/316	D763,503	S	8/2016	Bramley et al.
D685,522	S	7/2013	Potter et al.	D764,098	S	8/2016	Liu
D686,717	S	7/2013	Mack	D764,703	S	8/2016	Liu
D688,415	S	8/2013	Kim	D765,308	S	8/2016	Liu
D688,416	S	8/2013	Liu	D765,309	S	8/2016	Liu
8,499,766	B1	8/2013	Newton	D765,907	S	9/2016	Liu
D689,771	S	9/2013	Berggren	D767,818	S	* 9/2016	Kayvon D27/162
D691,765	S	10/2013	Tucker et al.	D767,819	S	9/2016	Kayvon et al.
D691,766	S	10/2013	Tucker et al.	D767,820	S	9/2016	Jordan et al.
D692,612	S	10/2013	Lowenthal et al.	D767,822	S	9/2016	Jordan et al.
D692,613	S	10/2013	Morreale	D768,914	S	* 10/2016	Liu D27/101
D694,468	S	11/2013	Chen	D768,915	S	10/2016	Wright et al.
D695,449	S	12/2013	Tucker et al.	D769,519	S	* 10/2016	Chen D27/101
D702,478	S	4/2014	Wai	D770,087	S	10/2016	Di Bari
8,707,965	B2	4/2014	Newton	D772,478	S	11/2016	Liu
D713,285	S	* 9/2014	Dover D11/146	D773,727	S	12/2016	Eksouzian
8,833,364	B2	9/2014	Buchberger	D773,729	S	12/2016	Jordan et al.
D717,651	S	11/2014	Marina et al.	D774,247	S	12/2016	Chen
D718,133	S	11/2014	Fraser et al.	D774,248	S	12/2016	Jordan et al.
8,881,737	B2	11/2014	Collett et al.	D776,337	S	1/2017	Levin et al.
8,888,311	B2	11/2014	Parsons	D779,722	S	2/2017	Volodarsky
8,897,628	B2	11/2014	Conley et al.	D779,725	S	2/2017	Bramley et al.
D720,499	S	12/2014	Alima	D780,372	S	* 2/2017	Liu D27/101
8,939,943	B2	1/2015	Edwards et al.	D780,993	S	3/2017	Bramley et al.
D722,196	S	2/2015	Tucker et al.	D781,178	S	3/2017	Harpole
D723,215	S	2/2015	Chen	D782,108	S	3/2017	Jordan et al.
D723,216	S	2/2015	Chen	D784,609	S	4/2017	Liu
8,950,395	B2	2/2015	Schennum	D787,439	S	5/2017	Sloan
8,955,522	B1	2/2015	Bowen et al.	D790,122	S	* 6/2017	Hawes D27/101
				D790,126	S	6/2017	Bennett et al.
				D792,021	S	7/2017	Beer et al.
				D792,644	S	7/2017	Jordan et al.
				D792,645	S	7/2017	Fornarelli

(56)

References Cited

U.S. PATENT DOCUMENTS

D795,496 S 8/2017 Beer et al.
 D796,112 S 8/2017 Lafferty et al.
 D797,368 S 9/2017 Rockferry
 D797,369 S 9/2017 Yamada et al.
 D797,990 S 9/2017 Hawes et al.
 D799,745 S 10/2017 Qiu
 D799,749 S * 10/2017 Freese D27/170
 D800,383 S 10/2017 Verleur et al.
 D802,207 S 11/2017 Bramley et al.
 D802,835 S 11/2017 Bagai
 D802,839 S 11/2017 Scott
 D803,475 S 11/2017 Scheiber
 D804,090 S 11/2017 Verleur et al.
 D804,091 S 11/2017 Fornarelli
 D804,305 S 12/2017 White
 D809,189 S 1/2018 Liu
 D812,808 S 3/2018 Ng
 D814,103 S 3/2018 Levinson
 D815,340 S 4/2018 Bramley et al.
 D815,342 S 4/2018 Sutton
 D817,540 S 5/2018 Yamada et al.
 D817,544 S * 5/2018 Chen D27/167
 D823,534 S 7/2018 Chen
 D826,470 S * 8/2018 Huang D27/167
 D827,920 S * 9/2018 Fornarelli D27/101
 D828,623 S * 9/2018 Fornarelli D27/194
 D832,498 S * 10/2018 Chen D27/101
 2006/0021613 A1 * 2/2006 Overlander A61M 16/08
 128/200.14
 2012/0053512 A1 3/2012 Muse
 2013/0068239 A1 3/2013 Youn
 2013/0087160 A1 4/2013 Gherghe
 2013/0140200 A1 6/2013 Scatterday
 2013/0167853 A1 7/2013 Liu
 2013/0167854 A1 7/2013 Shin
 2013/0192615 A1 8/2013 Tucker et al.
 2013/0192623 A1 8/2013 Tucker et al.
 2013/0213419 A1 8/2013 Tucker et al.
 2013/0228190 A1 9/2013 Weiss et al.
 2013/0298905 A1 11/2013 Levin et al.
 2013/0312742 A1 11/2013 Monsees et al.
 2013/0319438 A1 12/2013 Liu
 2013/0319440 A1 12/2013 Capuano
 2013/0327345 A1 12/2013 Clarke
 2013/0333711 A1 12/2013 Liu
 2013/0340775 A1 12/2013 Juster et al.
 2014/0014124 A1 1/2014 Glasberg et al.
 2014/0020693 A1 1/2014 Cochand et al.
 2014/0034070 A1 2/2014 Schennum
 2014/0053856 A1 2/2014 Liu
 2014/0060524 A1 3/2014 Liu
 2014/0076310 A1 3/2014 Newton
 2014/0080554 A1 3/2014 Collett et al.
 2014/0174458 A1 6/2014 Katz
 2014/0202477 A1 7/2014 Qi et al.
 2014/0209105 A1 7/2014 Sears et al.
 2014/0224267 A1 8/2014 Levitz et al.
 2014/0270727 A1 9/2014 Ampolini et al.
 2014/0270730 A1 9/2014 Depiano et al.
 2014/0283859 A1 9/2014 Minskoff et al.
 2014/0318558 A1 10/2014 Liu
 2014/0336565 A1 11/2014 Nichols
 2014/0345632 A1 11/2014 Scatterday
 2014/0345635 A1 11/2014 Rabinowitz et al.
 2014/0355969 A1 12/2014 Stern
 2014/0360516 A1 12/2014 Liu
 2015/0020827 A1 1/2015 Liu
 2015/0020828 A1 1/2015 Liu
 2015/0027470 A1 1/2015 Kane et al.
 2015/0059784 A1 3/2015 Liu
 2015/0114406 A1 4/2015 Newton
 2015/0122252 A1 5/2015 Frija
 2015/0144148 A1 5/2015 Chen
 2015/0150307 A1 6/2015 Liu

2015/0181944 A1 * 7/2015 Li A24F 47/008
 131/329
 2015/0196059 A1 7/2015 Liu
 2015/0208726 A1 7/2015 Liu
 2015/0245657 A1 9/2015 Memari et al.
 2015/0258288 A1 * 9/2015 Sullivan A61M 15/0086
 128/203.12
 2015/0282530 A1 * 10/2015 Johnson A61M 15/06
 392/387
 2015/0296889 A1 10/2015 Liu
 2015/0328415 A1 11/2015 Minskoff et al.
 2015/0332379 A1 11/2015 Alarcon
 2016/0073692 A1 3/2016 Alarcon et al.
 2016/0113327 A1 4/2016 Wu
 2016/0120226 A1 5/2016 Rado
 2016/0150821 A1 6/2016 Liu
 2016/0150823 A1 6/2016 Liu
 2016/0213062 A1 7/2016 Doyle
 2016/0219935 A1 8/2016 Qiu
 2016/0270446 A1 9/2016 Shenkal et al.
 2016/0374395 A1 12/2016 Jordan et al.
 2016/0374396 A1 12/2016 Jordan et al.
 2016/0374397 A1 12/2016 Jordan et al.

OTHER PUBLICATIONS

Choosing Mimi and Poppis Faucet. by Old Country House Blog. dated Jul. 5, 2013. found online [Jan. 29, 2018] <http://myoldcountryhouse.com/wp-content/uploads/2013/07/7185c.jpg>.
 Notice of Allowance for corresponding U.S. Appl. No. 29/527,151 dated May 25, 2016.
 Notice of Allowance for corresponding U.S. Appl. No. 29/531,427 dated Jun. 2, 2016.
 Notice of Allowance for corresponding U.S. Appl. No. 29/527,149 dated Jun. 8, 2016.
 Notice of Allowance for corresponding U.S. Appl. No. 29/531,410 dated May 26, 2016.
 U.S. Notice of Allowance for corresponding U.S. Appl. No. 29/579,728 dated Oct. 4, 2017.
 Office Action for corresponding U.S. Office Action U.S. Appl. No. 29/545,537 dated Aug. 30, 2016.
 "Smokio: Smart Wireless E-cigarette," <http://www.premiumlifestyle.co.uk/products/smokio-smart-wireless-e-cigarette>.
 About Electronic Cigarettes/Vapor Cigarettes/E-cigs, <https://www.vapinapes.com/about-vapor-cigarettes/>.
 Supersmoke: The Latest Supersmoker Bluetooth, <http://www.supersmokerbluetooth.com/>.
 Kosmo, <https://www.indiegogo.com/projects/kosmo-ecigarette>.
 Office Action for corresponding U.S. Office Action U.S. Appl. No. 29/545,537 dated Aug. 29, 2016.
 Notice of Allowance for corresponding U.S. Appl. No. 29/545,534 dated Feb. 15, 2017.
 U.S. Appl. No. 29/503,697, filed Sep. 29, 2014.
 U.S. Appl. No. 29/527,153, filed May 15, 2015.
 U.S. Appl. No. 29/527,151, filed May 15, 2015.
 U.S. Appl. No. 29/527,149, filed May 15, 2015.
 U.S. Appl. No. 29/545,534, filed Nov. 13, 2015.
 U.S. Appl. No. 29/545,537, filed Nov. 13, 2015.
 Mouthpiece of Smoking Article | Nikotek 3pk Cartridge | Metro, post date N/A, @ 2015 metroecigs.com, [online], [site visited Nov. 24, 2015], Available from Internet, <http://www.metroecigs.com/product/metromenthonnicotinecartridges.asp>.
 Mouthpiece of Smoking Article | V2 Cigs Blu | Ecigarette Reviewed | postdate Mar. 24, 2014 © 2015 ecigarettereviwed.com, [online], [site visited Nov. 24, 2015] Available from Internet, <http://ecigarettereviwed.com/blu-cigs-review/>.
 Notice of Allowance dated Jan. 4, 2018 issued in U.S. Appl. No. 29/606,031.
 Notice of Allowance dated Dec. 8, 2015 issued in U.S. Appl. No. 29/503,697.
 Notice of Allowance dated Oct. 11, 2016 issued in U.S. Appl. No. 29/561,106.
 Notice of Allowance dated Jul. 3, 2017 issued in U.S. Appl. No. 29/591,099.

(56)

References Cited

OTHER PUBLICATIONS

Notice of Allowance dated Oct. 19, 2016 issued in U.S. Appl. No. 29/560,805.

Notice of Allowance dated Sep. 29, 2016 issued in U.S. Appl. No. 29/527,153.

Final Office Action dated Jan. 26, 2017 issued in U.S. Appl. No. 29/545,537.

Notice of Allowance dated May 19, 2017 issued in U.S. Appl. No. 29/545,537.

Notice of Allowance for corresponding U.S. Appl. No. 29/616,782 dated May 16, 2018.

U.S. Appl. No. 29/561,106, filed Apr. 14, 2016.

U.S. Appl. No. 29/560,805, filed Apr. 11, 2016.

<<http://kelvin.en.made-in-china.com/productimage/FahEJNdCeOVw-2fli00KeBtCALgEiYE/China-High-Quality-Triangular-Trimark-E-Cigarette.html>>, copyright 2015 Focus Technology Co., Ltd.

Notice of Allowance for corresponding U.S. Appl. No. 29/531,410 dated Mar. 25, 2016.

Notice of Allowance for corresponding U.S. Appl. No. 29/527,151 dated Mar. 30, 2016.

Non-Final Office Action for corresponding U.S. Appl. No. 29/527,153 dated Mar. 28, 2016.

Notice of Allowance for corresponding U.S. Appl. No. 29/527,149 dated Apr. 11, 2016.

Notice of Allowance for corresponding U.S. Appl. No. 29/531,427 dated Apr. 5, 2016.

* cited by examiner

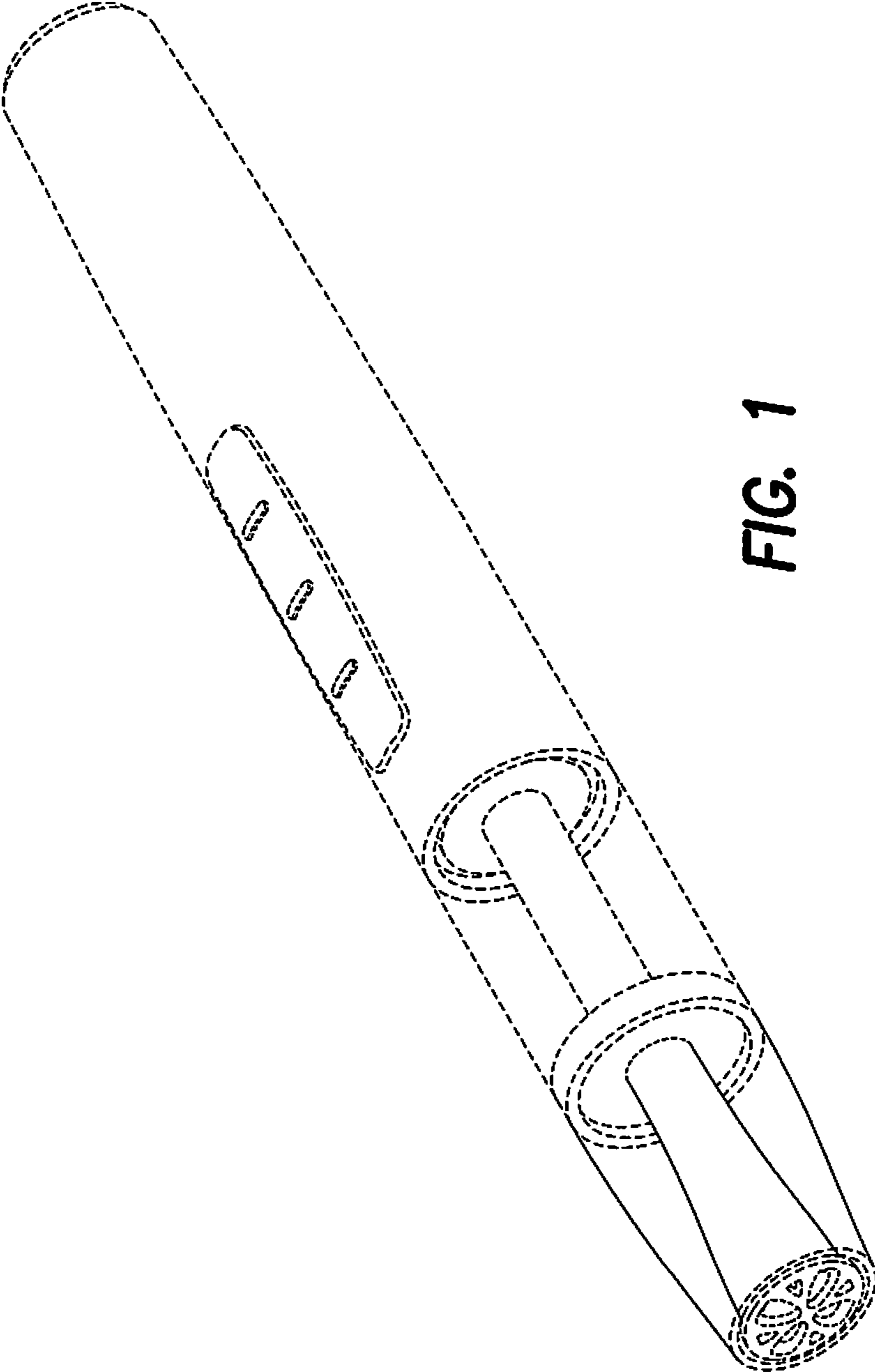


FIG. 1

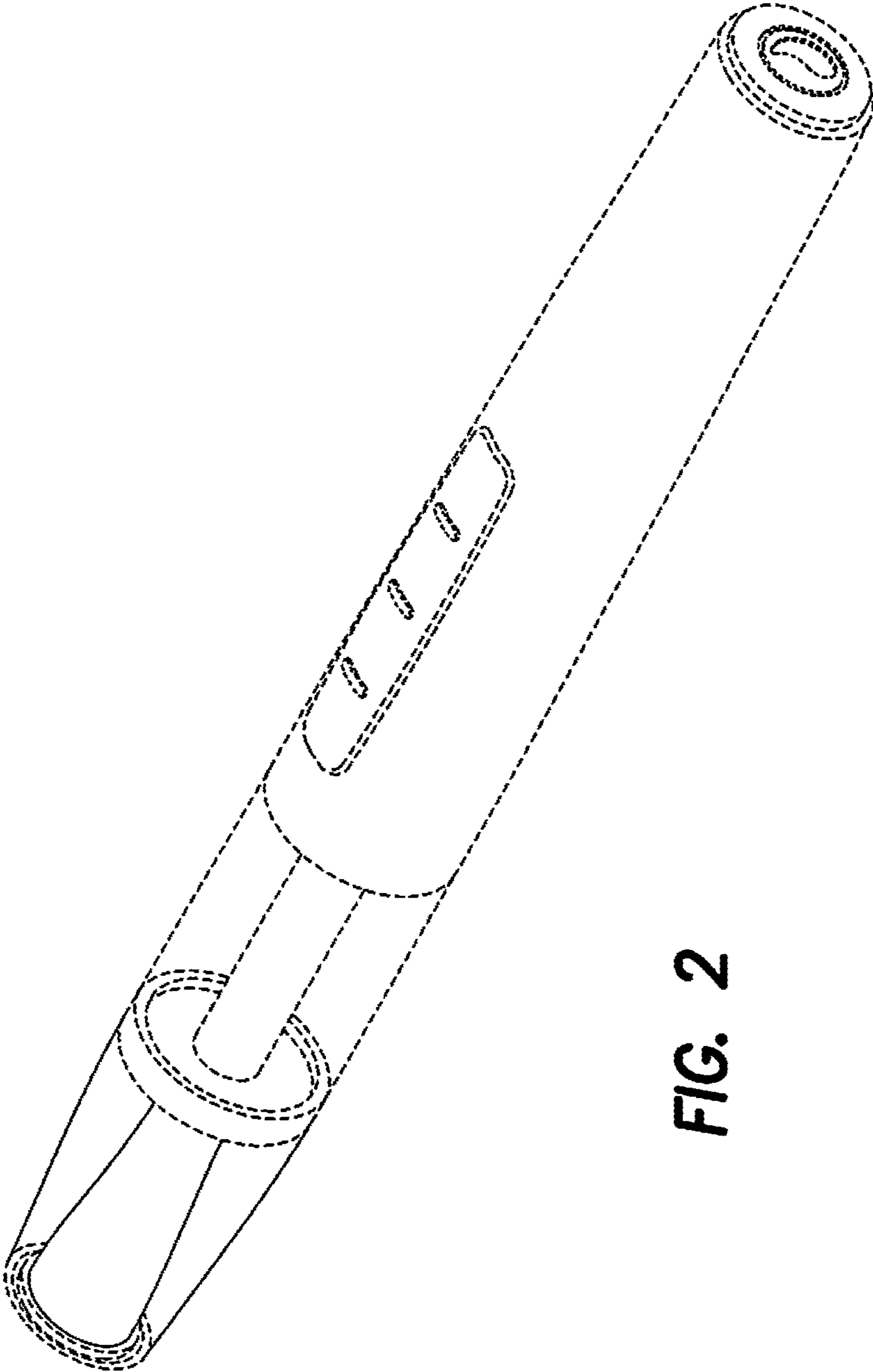


FIG. 2

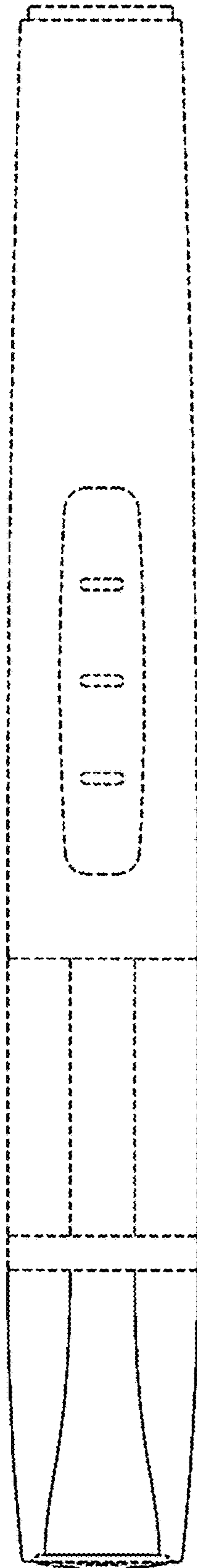


FIG. 3

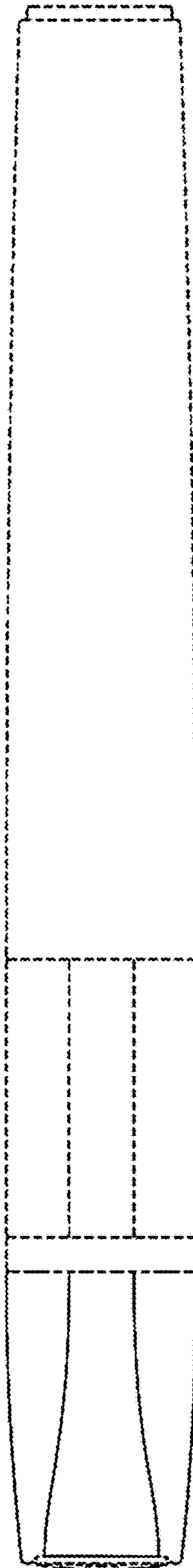


FIG. 4

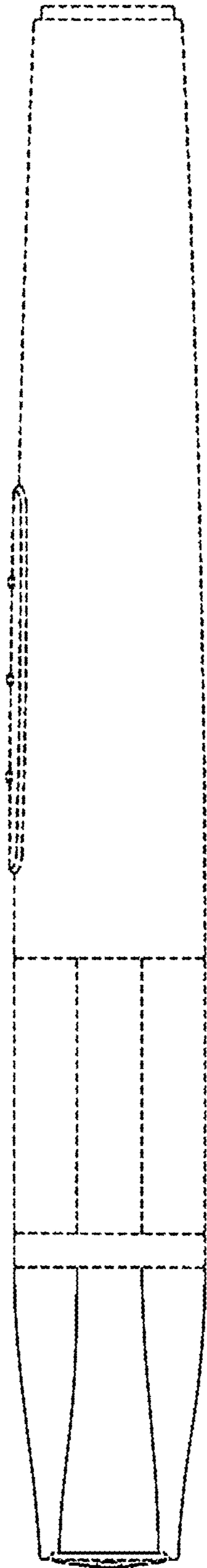


FIG. 5

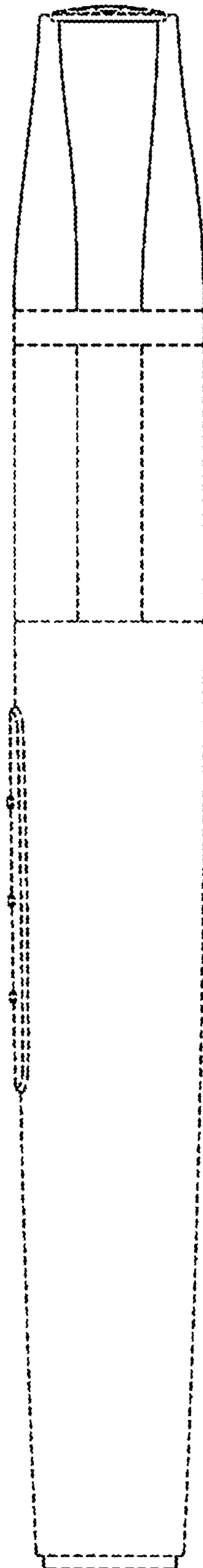


FIG. 6

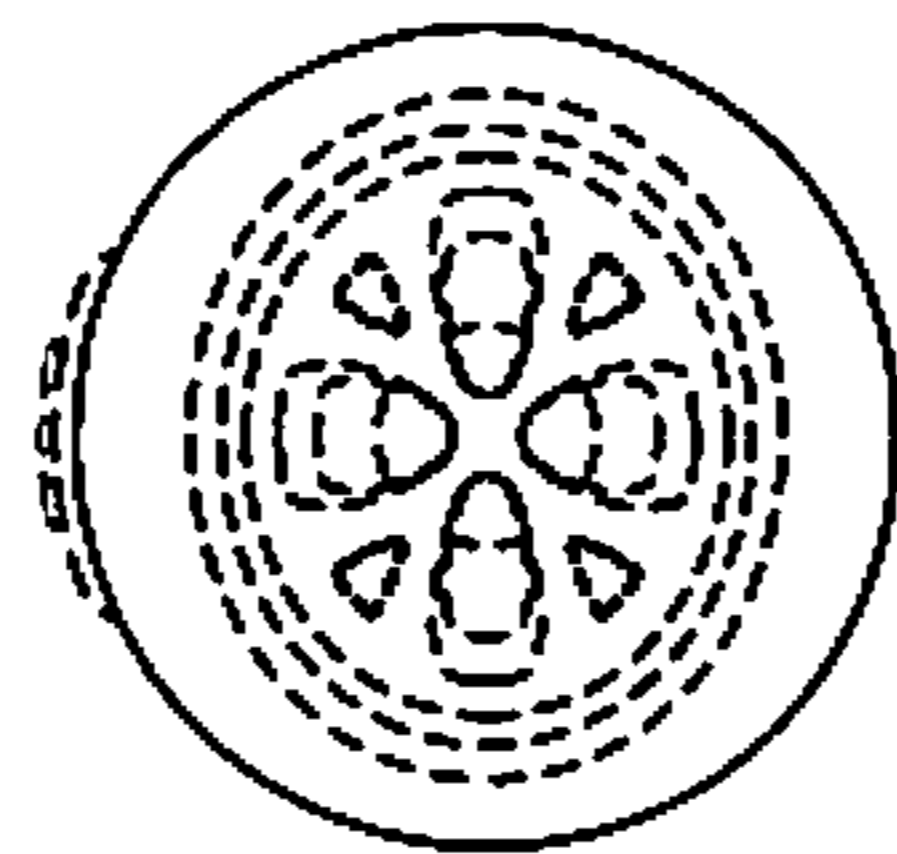


FIG. 7

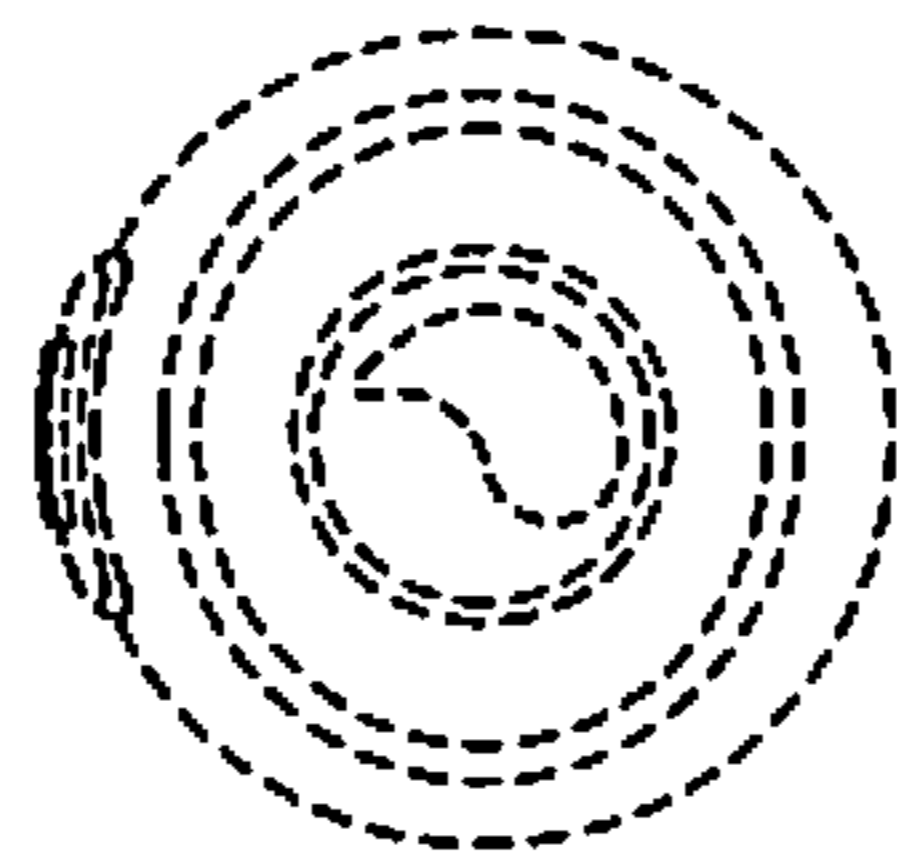


FIG. 8