



US00D847418S

(12) **United States Design Patent** (10) **Patent No.:** **US D847,418 S**
Reimann (45) **Date of Patent:** **** Apr. 30, 2019**

(54) **PIPE**

FOREIGN PATENT DOCUMENTS

(71) Applicant: **William James Reimann**, Boise, ID
(US)

CN 201640446 11/2010
CN 203087516 7/2013

(Continued)

(72) Inventor: **William James Reimann**, Boise, ID
(US)

OTHER PUBLICATIONS

(**) Term: **15 Years**

Tobacco Smoking Silicone Hand Pipe by ebay seller shining-road.
earliest review date Sep. 17, 2018. found online [Feb. 2019]
https://www.ebay.com/itm/3-25-Inch-Tobacco-Smoking-Silicone-Hand-Pipe-with-Cap-and-Glass-Honeycomb-Bowl-/322781719037#rwid.*

(21) Appl. No.: **29/629,278**

(22) Filed: **Dec. 12, 2017**

(Continued)

Related U.S. Application Data

(63) Continuation-in-part of application No. 14/877,138,
filed on Oct. 7, 2015, now Pat. No. 9,854,834.

Primary Examiner — Brandon M Rosati

Assistant Examiner — Marissa J Cash

(51) **LOC (11) Cl.** **27-02**

(74) *Attorney, Agent, or Firm* — Parsons Behle &
Latimer

(52) **U.S. Cl.**
USPC **D27/164**

(57) **CLAIM**

The ornamental design for a pipe, as shown.

(58) **Field of Classification Search**
USPC D27/100, 101, 139–196; D24/110;
D23/366; D3/273; D9/455, 456
CPC A24F 15/00; A24F 9/16; A24F 47/002
See application file for complete search history.

DESCRIPTION

(56) **References Cited**

FIG. 1 is a perspective view showing pipe embodying the
new design;
FIG. 2 is a side elevation view showing the top side of a pipe
embodying the new design;
FIG. 3 is a side elevation view showing the bottom side
thereof;
FIG. 4 is a side elevation view showing the left side thereof;
FIG. 5 is a side elevation view showing the right side
thereof;
FIG. 6 is a side elevation view showing the rear side thereof;
and,
FIG. 7 is a side elevation view showing the front side
thereof.

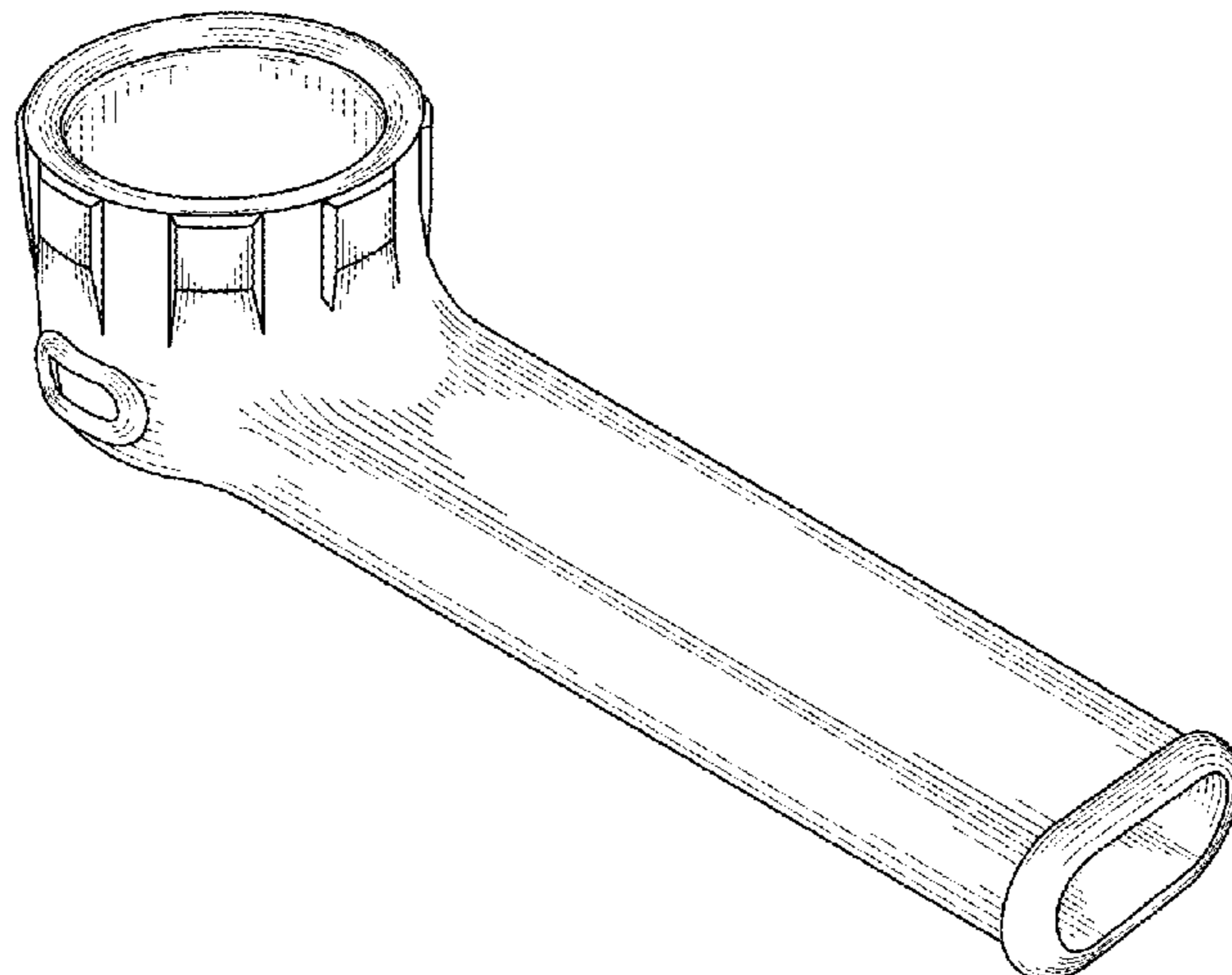
U.S. PATENT DOCUMENTS

373,559 A	11/1887	Kaldenberg	
D51,332 S *	10/1917	Hadley	D27/163
D68,278 S *	9/1925	Sasieni	D27/163
D68,280 S *	9/1925	Stern	D27/164
D90,232 S *	7/1933	Burger	D27/163
D93,342 S *	9/1934	Gold	131/186
D94,295 S *	1/1935	Buttner	D27/163
D95,739 S *	5/1935	Francis	D27/163
D98,046 S *	1/1936	Barling	D27/163
D102,406 S *	12/1936	Altizer	D27/163
D102,637 S *	1/1937	Millsap	131/226
D120,536 S *	5/1940	Ash	131/227

The broken lines shown in the drawings are for the purpose
of illustrating unclaimed portions of the pipe and form no
part of the claimed design.

(Continued)

1 Claim, 2 Drawing Sheets



(56)

References Cited

U.S. PATENT DOCUMENTS

D120,556 S * 5/1940 Robertson D27/163
 D142,280 S * 8/1945 Bugg 131/194
 D144,346 S * 4/1946 Ash D27/163
 D171,694 S * 3/1954 Gervirman 131/330
 D203,377 S * 12/1965 Chernock D27/164
 D203,430 S * 1/1966 Chernock D27/164
 D204,922 S * 5/1966 Jeannin D27/164
 3,645,274 A * 2/1972 Lebert A24F 5/00
 131/198.1
 D229,520 S * 12/1973 Lamberti D27/163
 3,882,875 A 5/1975 Frost
 D243,347 S * 2/1977 Segal D27/163
 4,020,853 A 5/1977 Nuttall
 4,213,469 A * 7/1980 Ramsay A24F 1/00
 131/199
 D264,885 S * 6/1982 Irelan D27/165
 D304,771 S * 11/1989 Katayama D27/163
 D305,804 S * 1/1990 Browning D27/163
 D349,065 S * 7/1994 West D10/33
 D436,686 S * 1/2001 Fujisawa D27/163
 D582,094 S * 12/2008 Lee D27/163
 D650,520 S * 12/2011 Timmermans D27/163
 D684,313 S * 6/2013 Wu D27/164
 8,469,225 B2 6/2013 Fredland
 8,534,295 B2 9/2013 Gonsalves
 8,550,091 B2 10/2013 Yomtov et al.
 D743,098 S * 11/2015 Hehir D27/163
 D754,918 S * 4/2016 Jergenson D27/163
 D757,995 S * 5/2016 Liu D27/101
 D790,765 S * 6/2017 Beer D27/101
 D825,101 S * 8/2018 Hoch D27/162
 D831,272 S * 10/2018 Qiu D27/162

D838,409 S * 1/2019 Reimann D27/162
 2003/0079755 A1 * 5/2003 Liu A24F 1/20
 131/342
 2003/0178035 A1 9/2003 Miller
 2004/0173223 A1 * 9/2004 Hu A24F 5/06
 131/226
 2010/0006113 A1 * 1/2010 Urtsev A24F 47/008
 131/273
 2011/0036363 A1 * 2/2011 Urtsev A24F 47/002
 131/273
 2011/0079231 A1 4/2011 Borushek et al.
 2013/0146070 A1 6/2013 Ross
 2013/0167852 A1 7/2013 Mcdonald
 2014/0158143 A1 6/2014 Barrett
 2014/0224263 A1 8/2014 Wilson
 2014/0326256 A1 11/2014 Mckay
 2014/0360513 A1 12/2014 Morgan
 2017/0000186 A1 1/2017 Russell
 2017/0099874 A1 * 4/2017 Reimann A24F 1/32

FOREIGN PATENT DOCUMENTS

CN 203986106 12/2014
 EP 0273770 A2 7/1998

OTHER PUBLICATIONS

Silicone Hand Pipe Black by smokinjs. earliest public review dated Jul. 12, 2018. found online [Feb. 3, 2019] <https://smokinjs.com/Silicone-Hand-Pipe-Black-SILIHBPB/>.
 US Patent and Trademark Office; Office Action for U.S. Appl. No. 14/877,138 dated May 11, 2017.

* cited by examiner

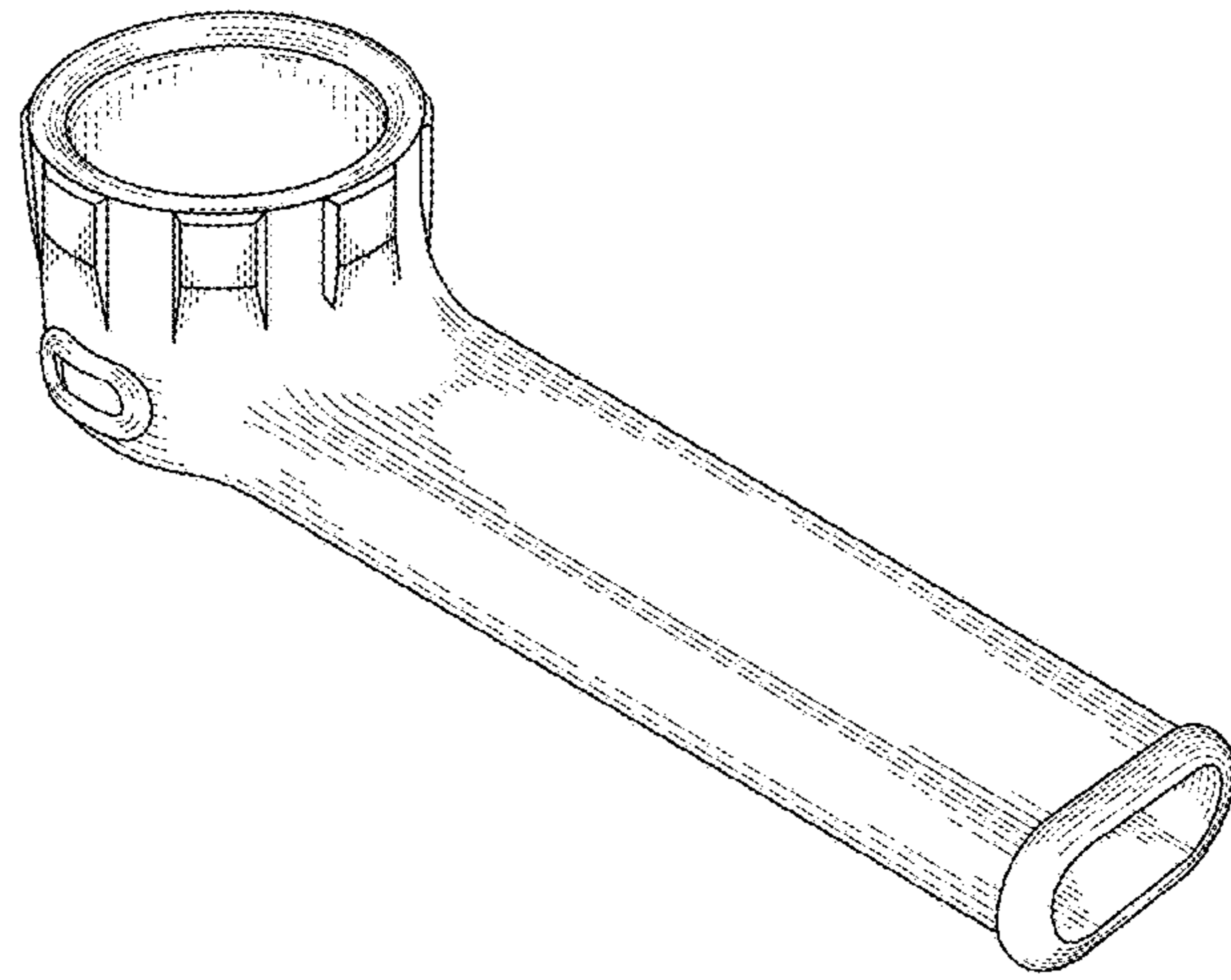


FIG. 1

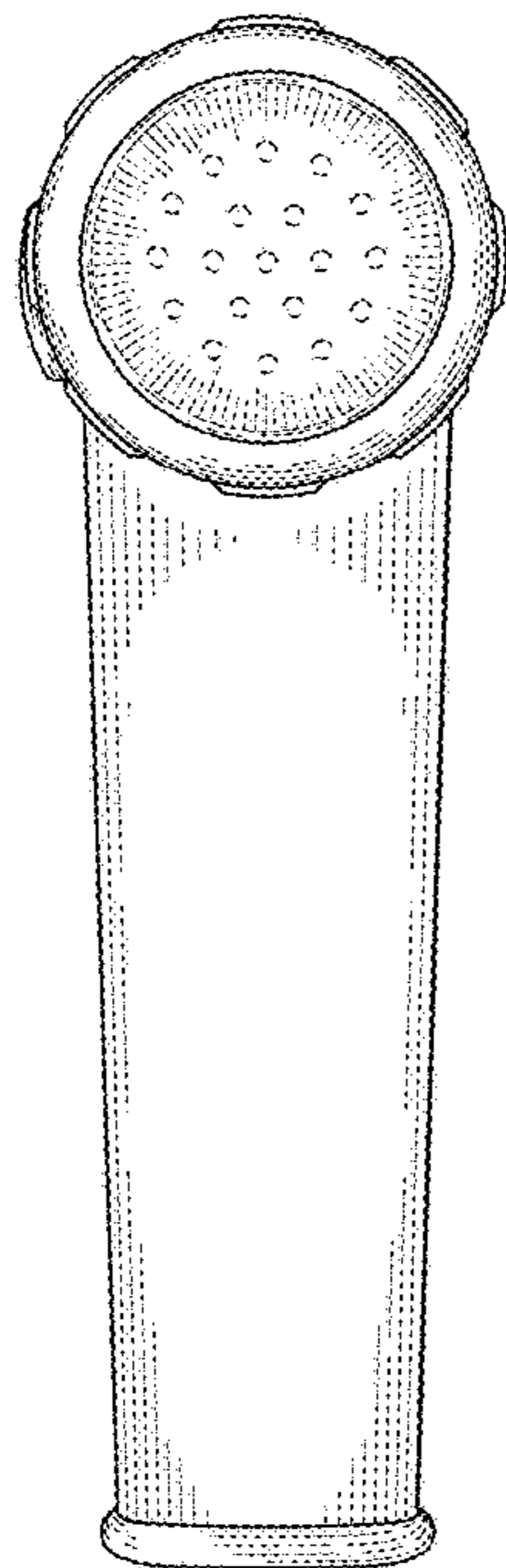


FIG. 2

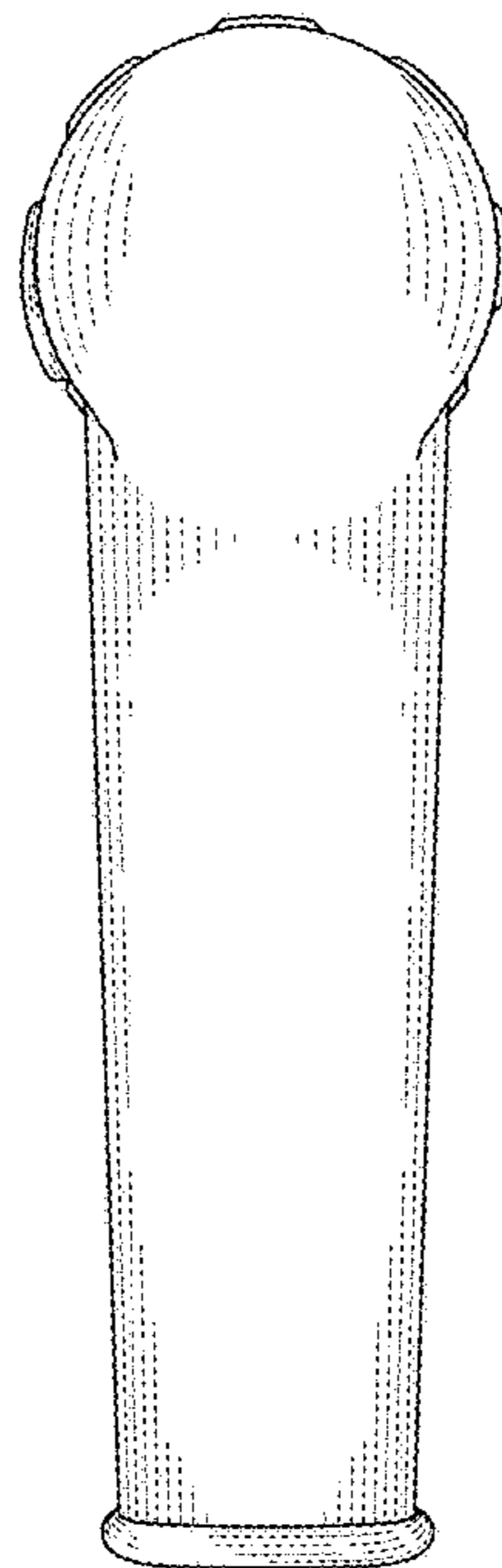


FIG. 3

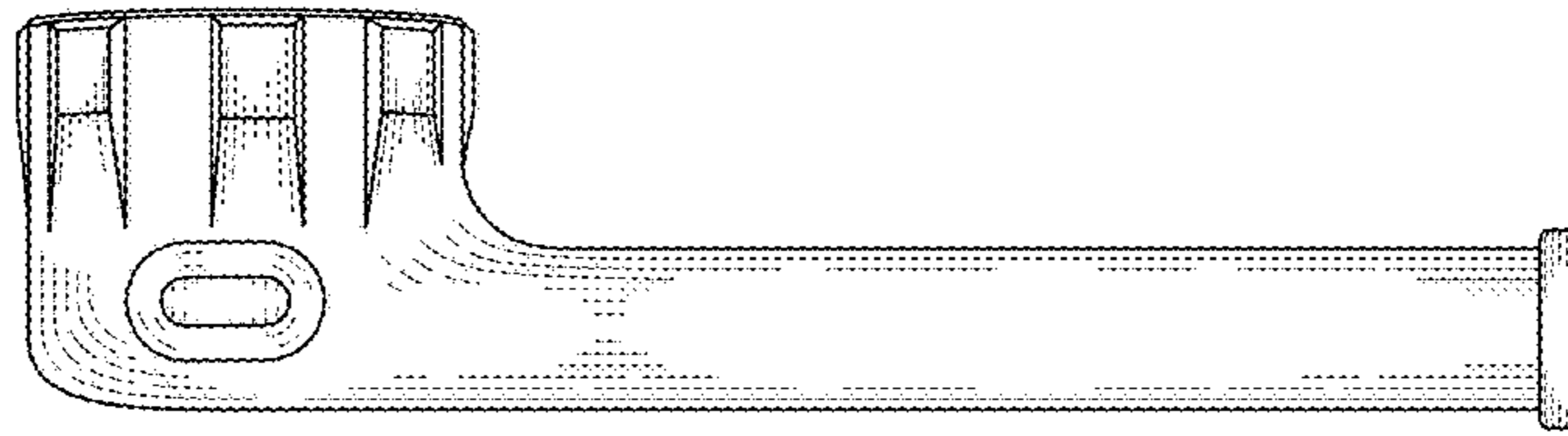


FIG. 4

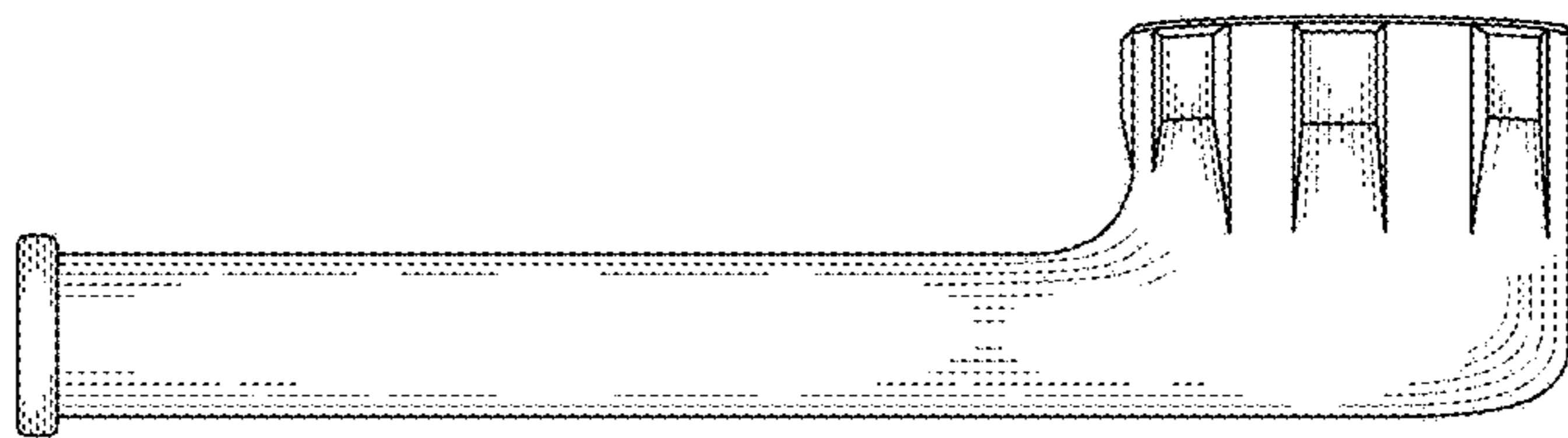


FIG. 5

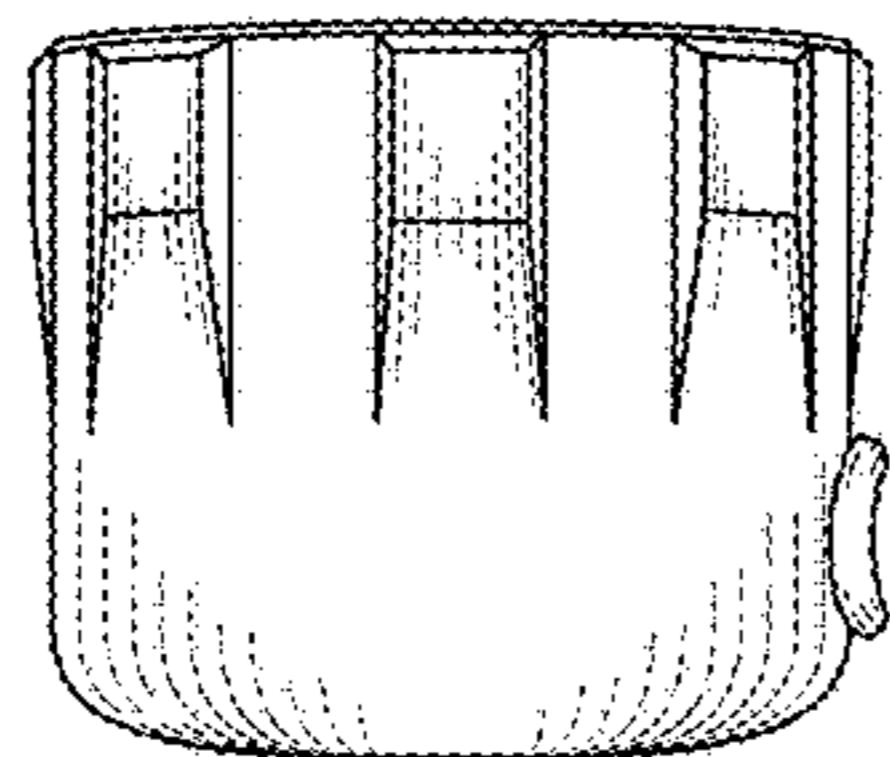


FIG. 6

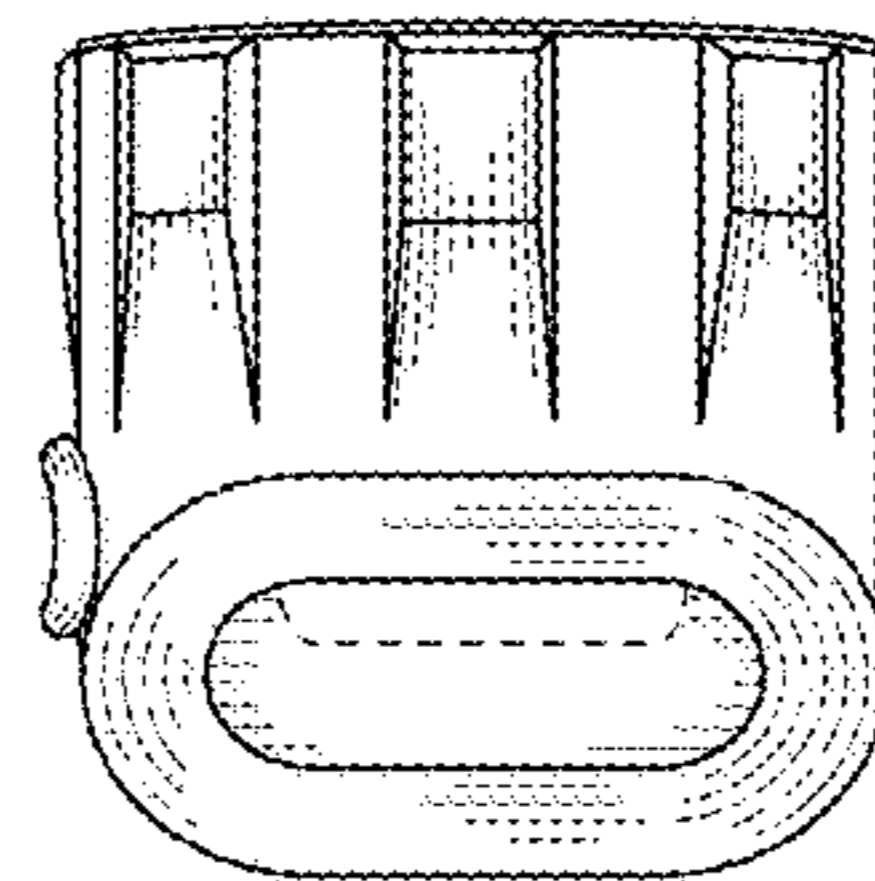


FIG. 7