



US00D847417S

(12) **United States Design Patent** (10) **Patent No.:** **US D847,417 S**  
**Zeng** (45) **Date of Patent:** **\*\* Apr. 30, 2019**

(54) **TABLE LAMP**

(71) Applicant: **Foshan Shunde Yajiasi Kitchen Cabinet Co., Ltd.**, Foshan (Guangdong Province) (CN)

(72) Inventor: **Deju Zeng**, Foshan (CN)

(73) Assignee: **Foshan Shunde Yajiasi Kitchen Cabinet Co., Ltd.**, Foshan (Guangdong Province) (CN)

(\*\*) Term: **15 Years**

(21) Appl. No.: **29/633,744**

(22) Filed: **Jan. 15, 2018**

(51) **LOC (11) Cl.** ..... **26-05**

(52) **U.S. Cl.**  
USPC ..... **D26/149**

(58) **Field of Classification Search**  
USPC ..... D26/75, 76, 77, 80, 81, 88, 90, 71, 128,  
D26/121, 142, 155, 138, 122, 154, 113,  
D26/120, 134, 118, 74  
CPC ..... F21S 6/00; F21S 6/002; F21S 8/03; F21S  
8/033  
See application file for complete search history.

(56) **References Cited**

**U.S. PATENT DOCUMENTS**

D64,682 S *	5/1924	Ostrow	.....	D26/89
1,707,556 A *	4/1929	Kaden	.....	F21S 8/04 362/433
D80,088 S *	12/1929	Plaut	.....	D26/91
D206,178 S *	11/1966	Echert	.....	D26/81
D376,008 S *	11/1996	Chan	.....	D23/377
D427,713 S *	7/2000	Dolan	.....	D26/135
D536,468 S *	2/2007	Crosby	.....	D26/84
D551,382 S *	9/2007	Curtin	.....	D26/89
D557,854 S *	12/2007	Lewis	.....	D26/81
D604,889 S *	11/2009	Chang	.....	D26/118
D666,354 S *	8/2012	Bracher	.....	D26/143

(Continued)

*Primary Examiner* — Mark A Goodwin  
*Assistant Examiner* — Benjamin M Weeks  
(74) *Attorney, Agent, or Firm* — Yong Chen

(57) **CLAIM**

The ornamental design for a table lamp, as shown and described.

**DESCRIPTION**

FIG. 1 is a front view of a table lamp of the present invention. The back view of the table lamp is identical to the front view shown in FIG. 1.

FIG. 2 is a left view of the table lamp thereof. The right view of the table lamp is identical to the left view shown in FIG. 1.

FIG. 3 is a top view thereof.

FIG. 4 is a bottom view thereof.

FIG. 5 is a first perspective view thereof.

FIG. 6 is a second perspective view thereof.

FIG. 7 is a front view of the table lamp shown in FIG. 1 with a lamp shade installed thereon. The back view of the table lamp with the lamp shade is identical to the front view shown in FIG. 7.

FIG. 8 is a left view of the table lamp with a lamp shade as shown in FIG. 7. The right view of the table lamp with the lamp shade is identical to the left view shown in FIG. 7.

FIG. 9 is a top view of the table lamp with the lamp shade as shown in FIG. 7.

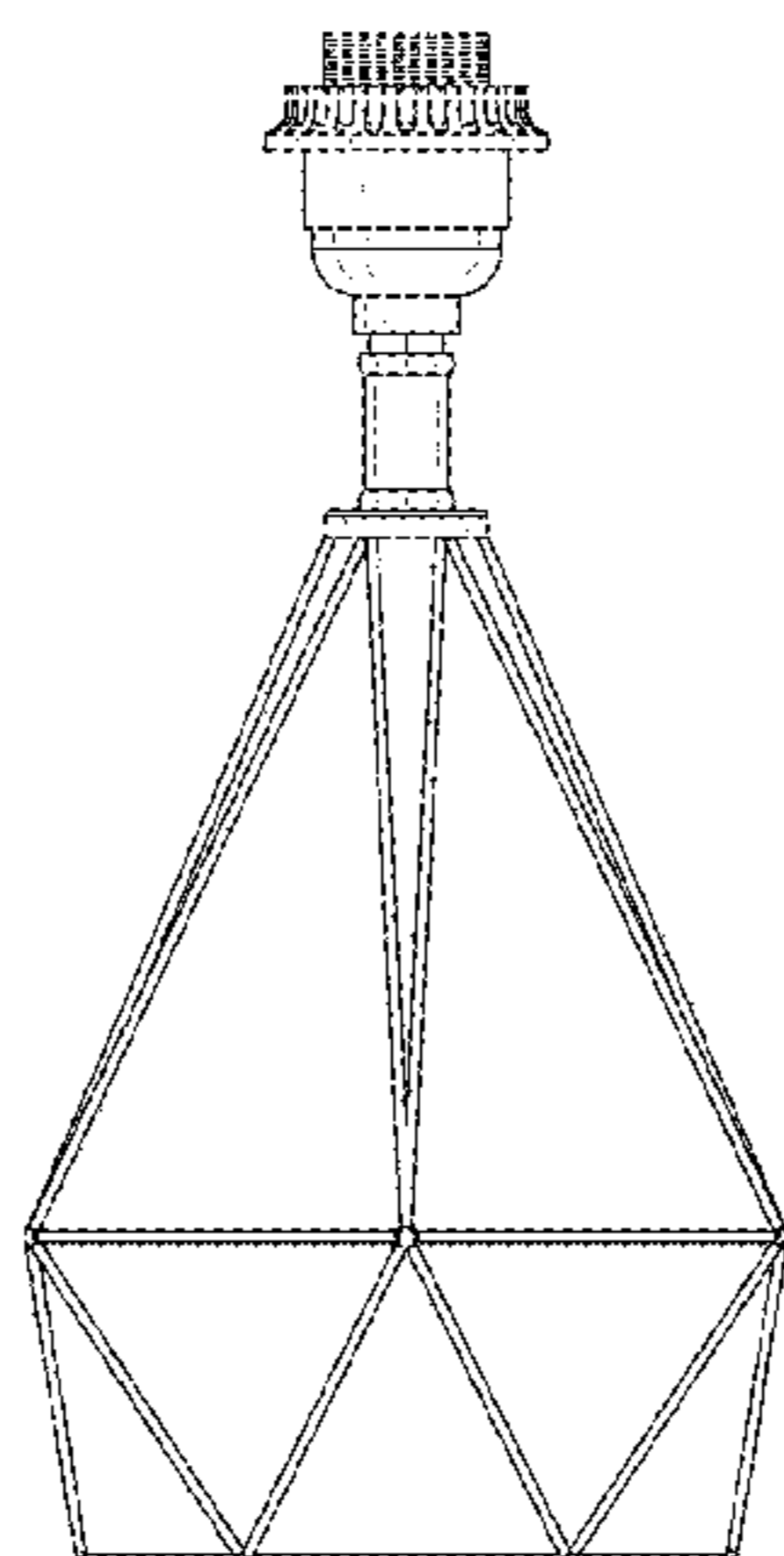
FIG. 10 is a bottom view of the table lamp with lamp shade as shown in FIG. 7.

FIG. 11 is a first perspective view of the table lamp with the lamp shade as shown in FIG. 7; and,

FIG. 12 is a second perspective view of the table lamp with the lamp shade as shown in FIG. 7.

The broken line showing of certain portions of the table lamp is included for the purpose of illustration only and forms no part of the claimed design.

**1 Claim, 12 Drawing Sheets**



(56)

**References Cited**

U.S. PATENT DOCUMENTS

D694,949	S	*	12/2013	Bracher	.....	D26/142
D701,991	S	*	4/2014	Blum	.....	D26/90
D775,758	S	*	1/2017	Amato	.....	D26/89
D798,486	S	*	9/2017	Thompson	.....	D26/135
D807,563	S	*	1/2018	Amato	.....	D26/88
D807,564	S	*	1/2018	Amato	.....	D26/88

\* cited by examiner

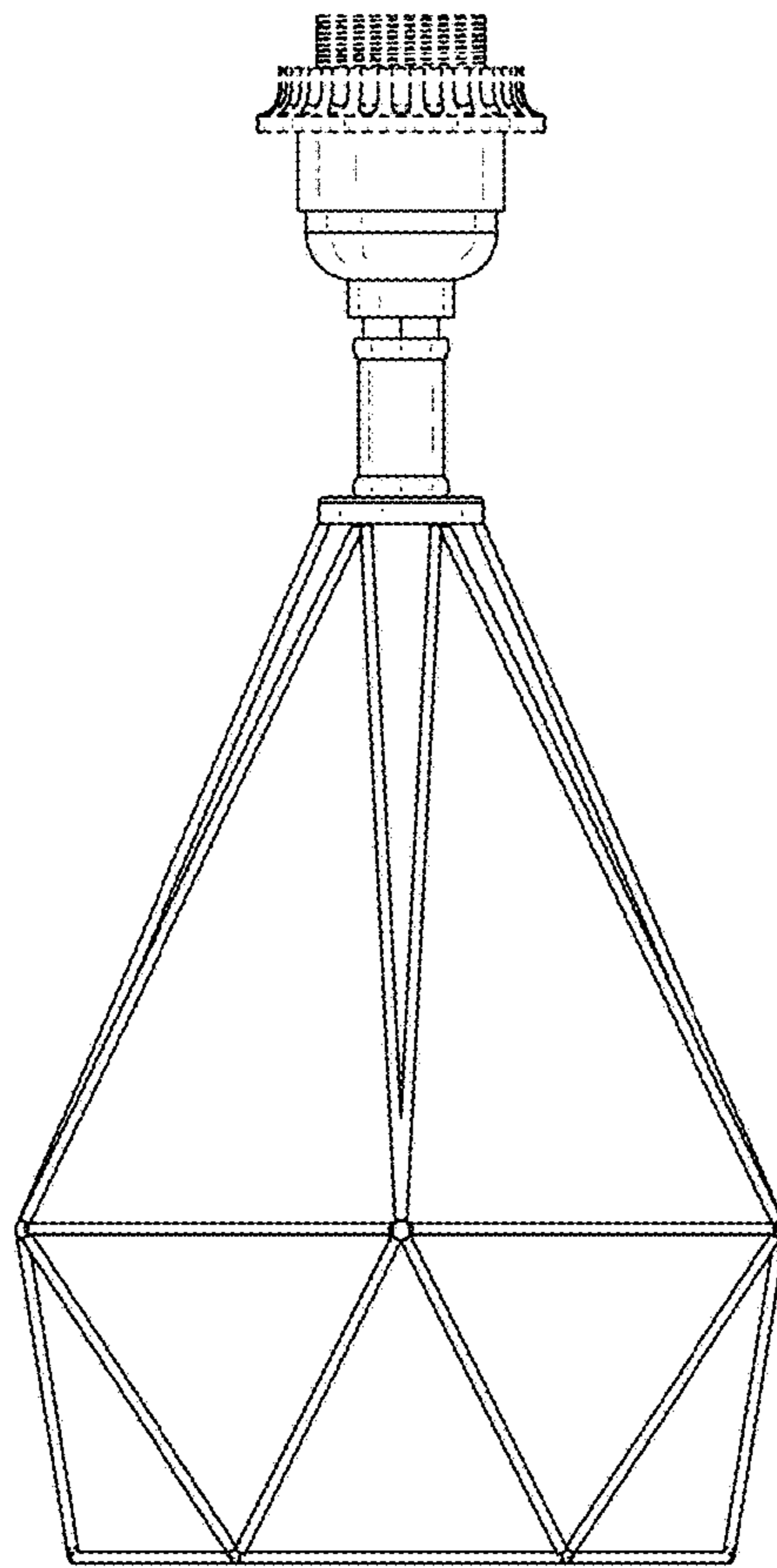


FIG. 1

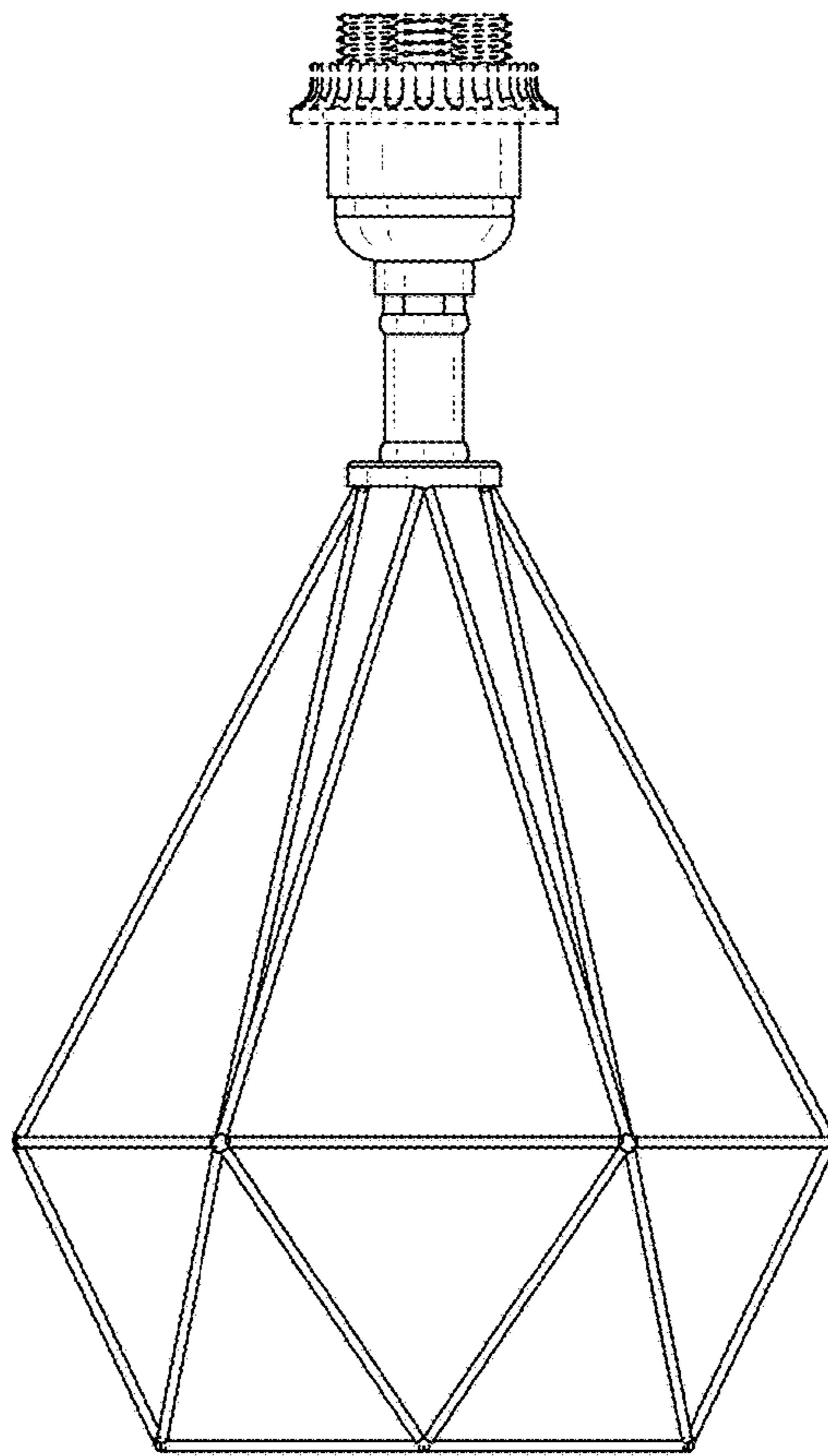


FIG. 2

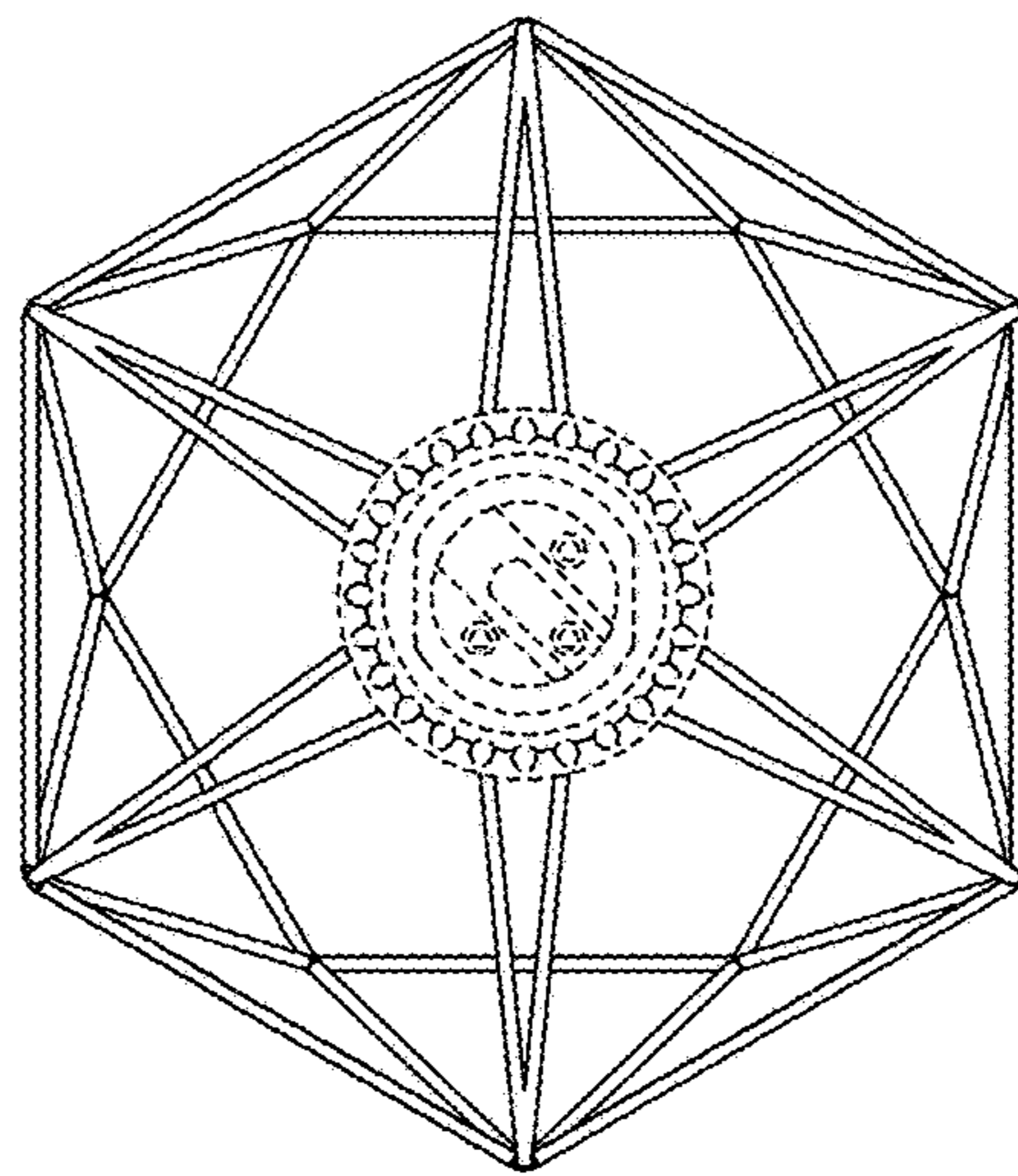


FIG. 3

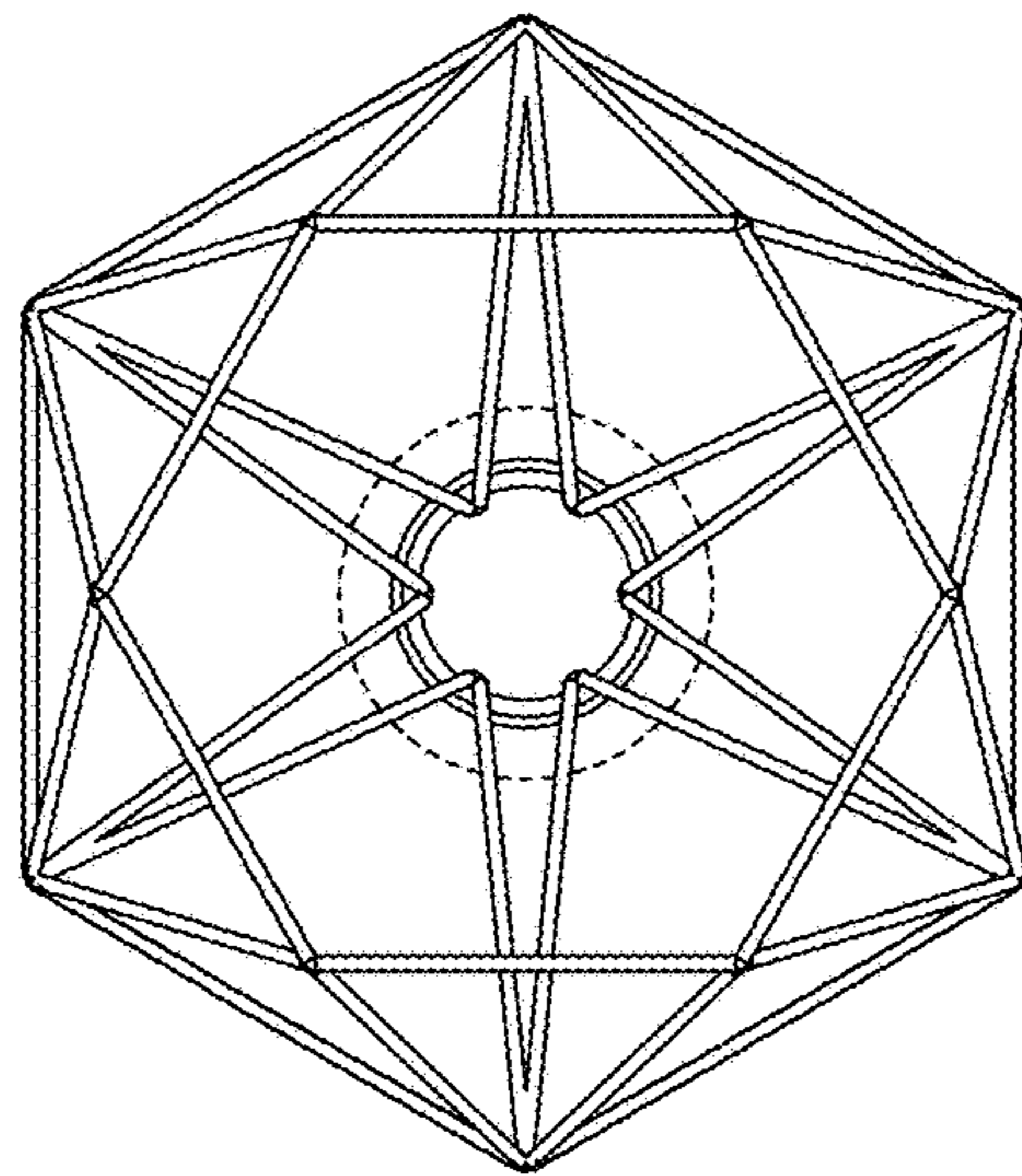


FIG. 4



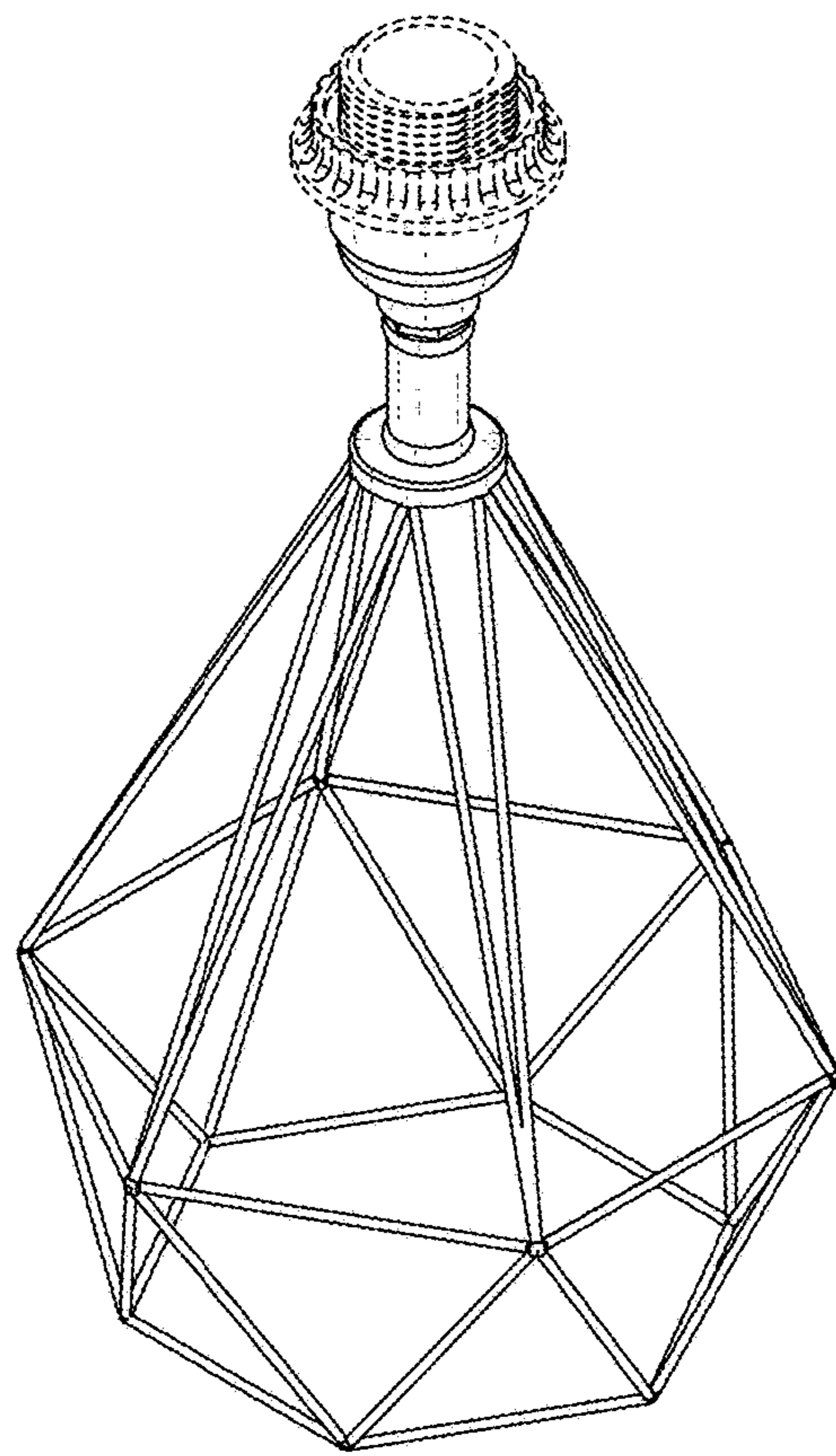


FIG. 5

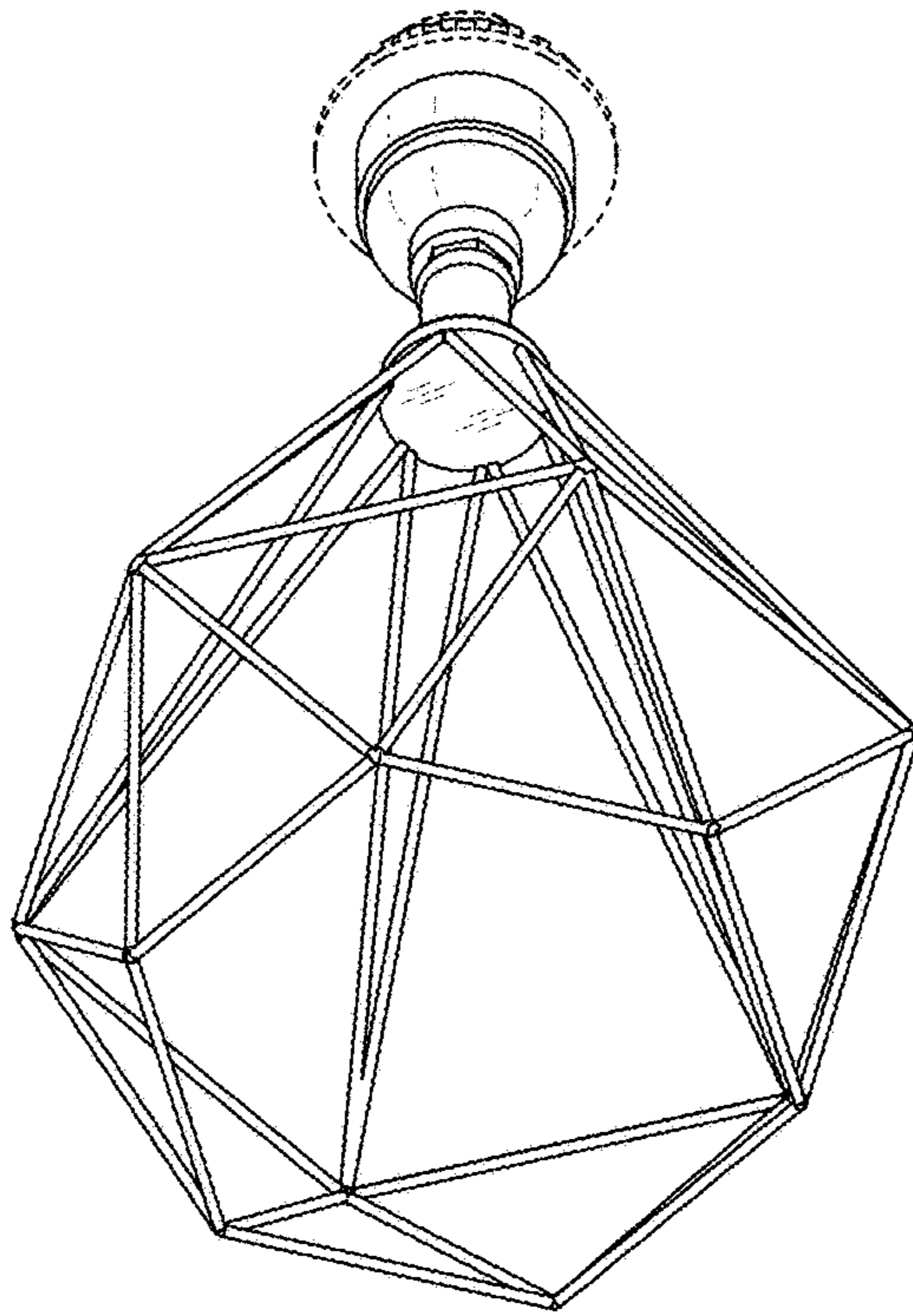


FIG. 6



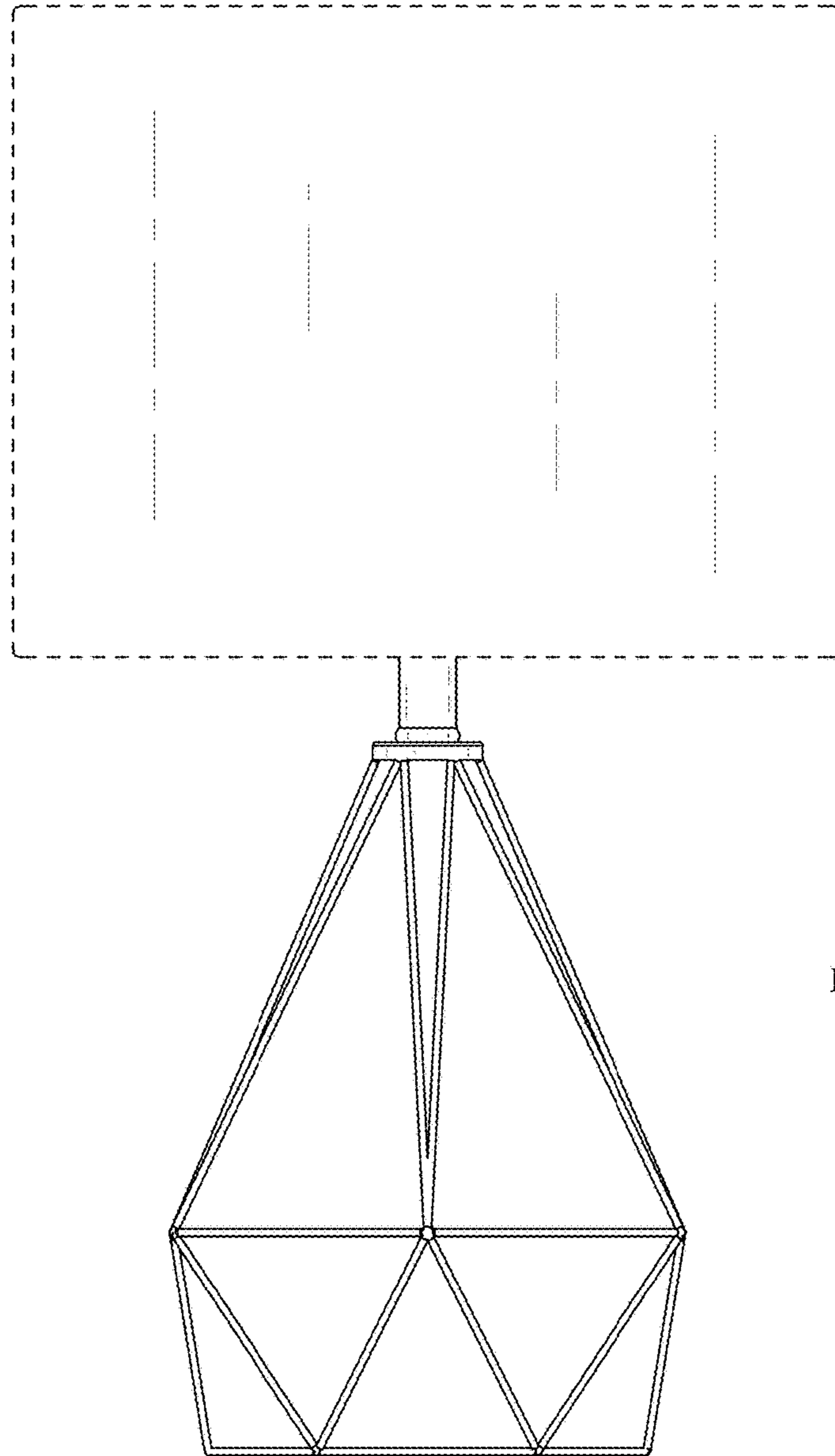


FIG. 7

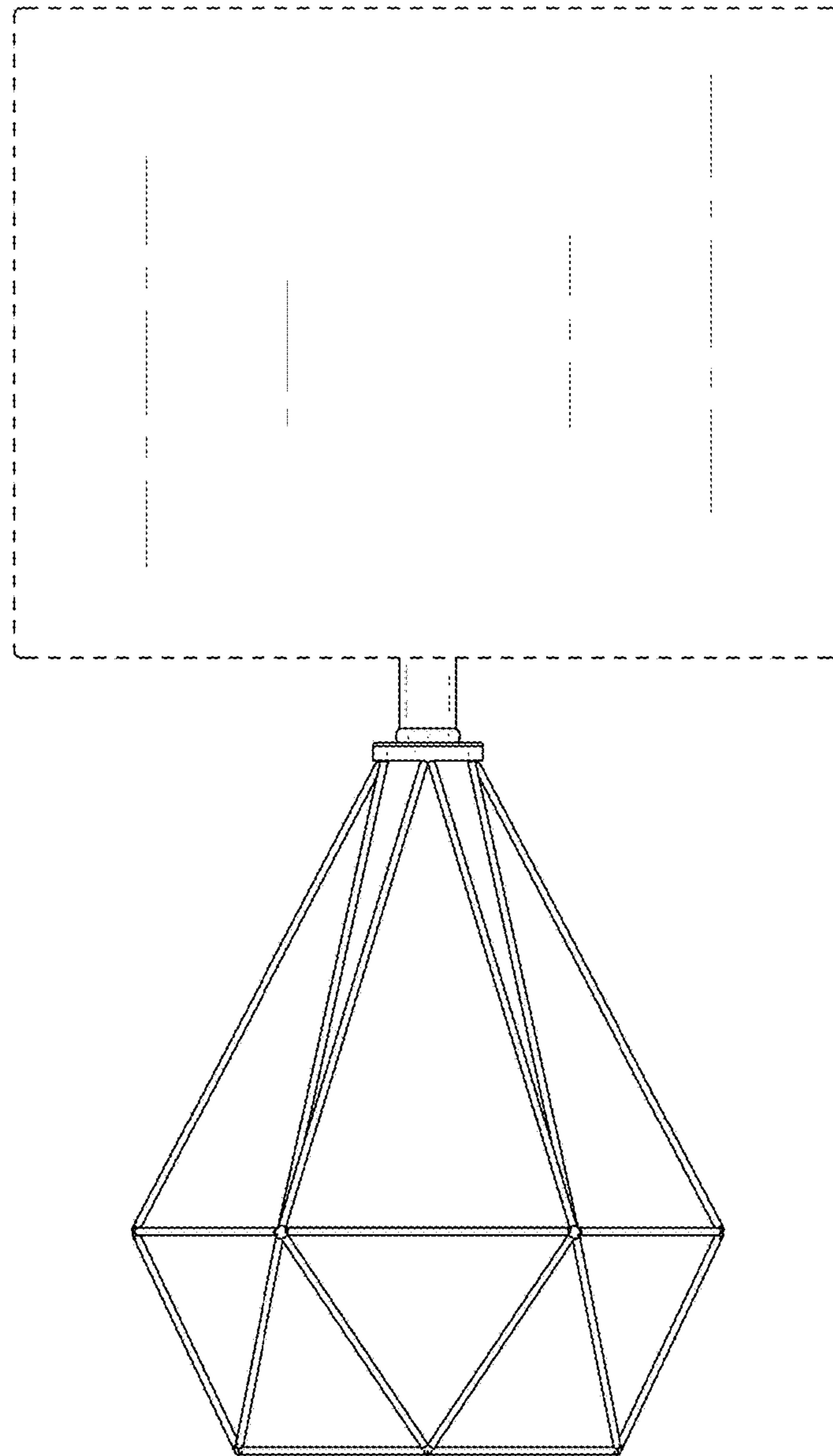


FIG. 8

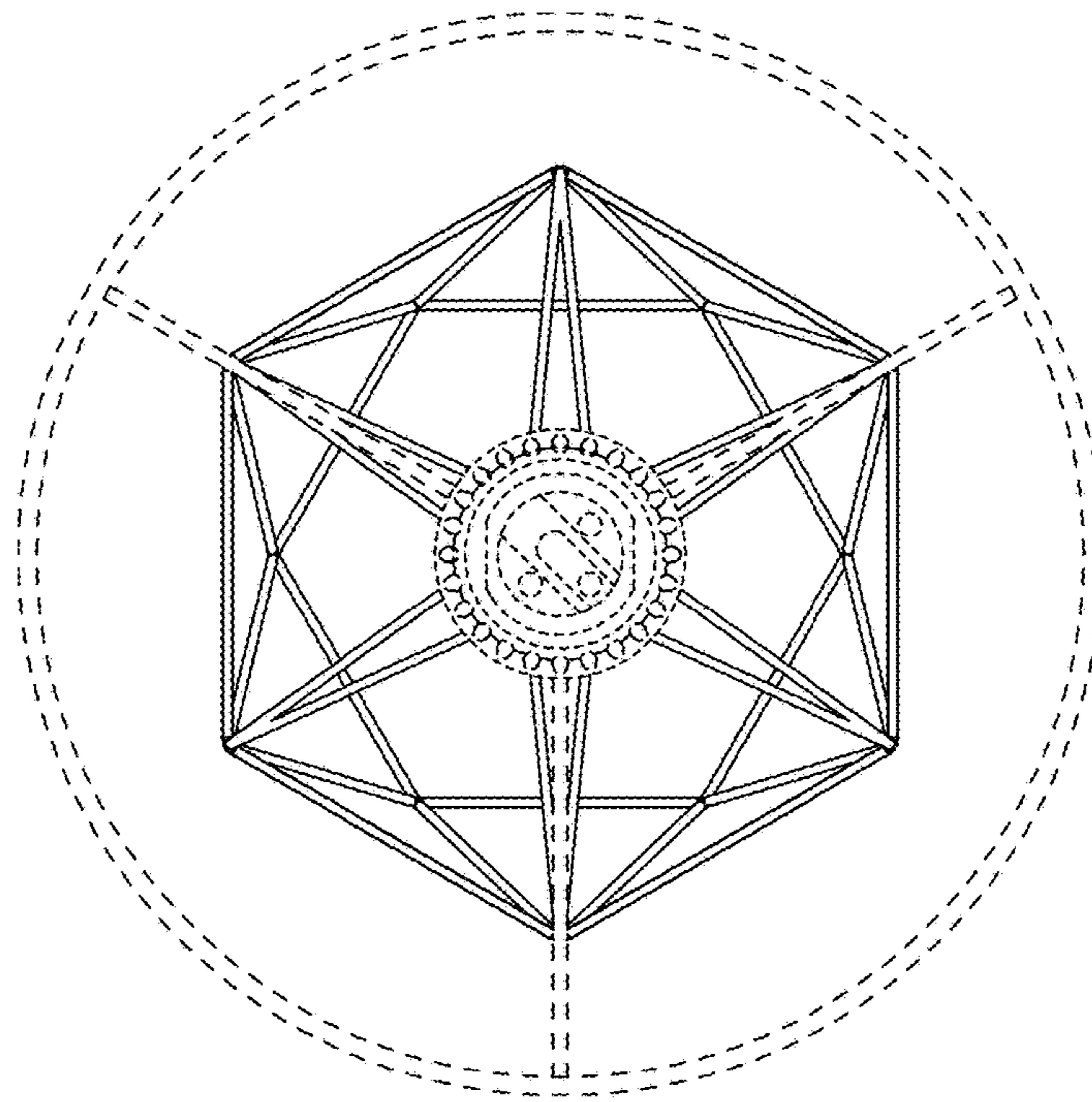


FIG. 9

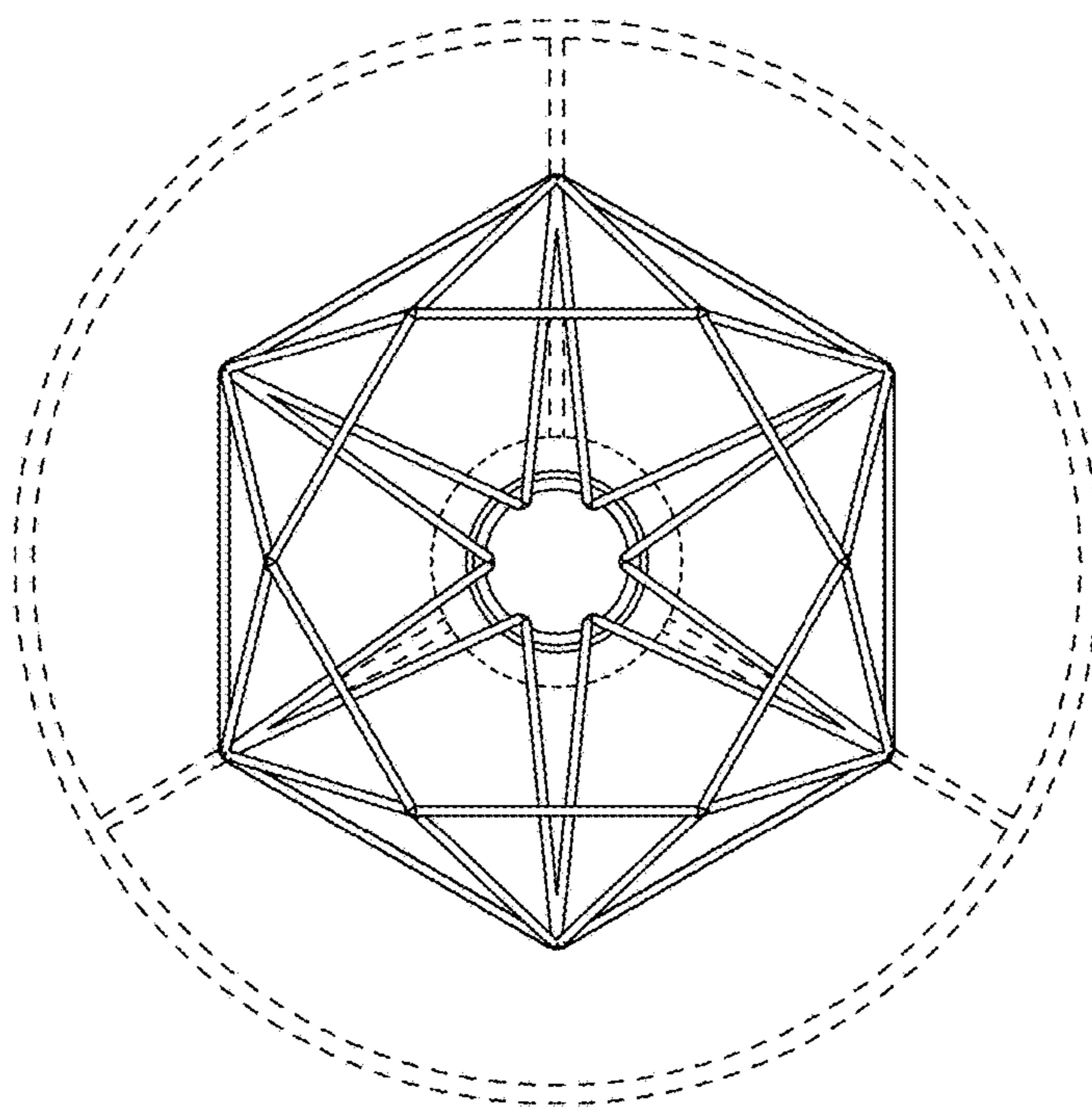


FIG. 10

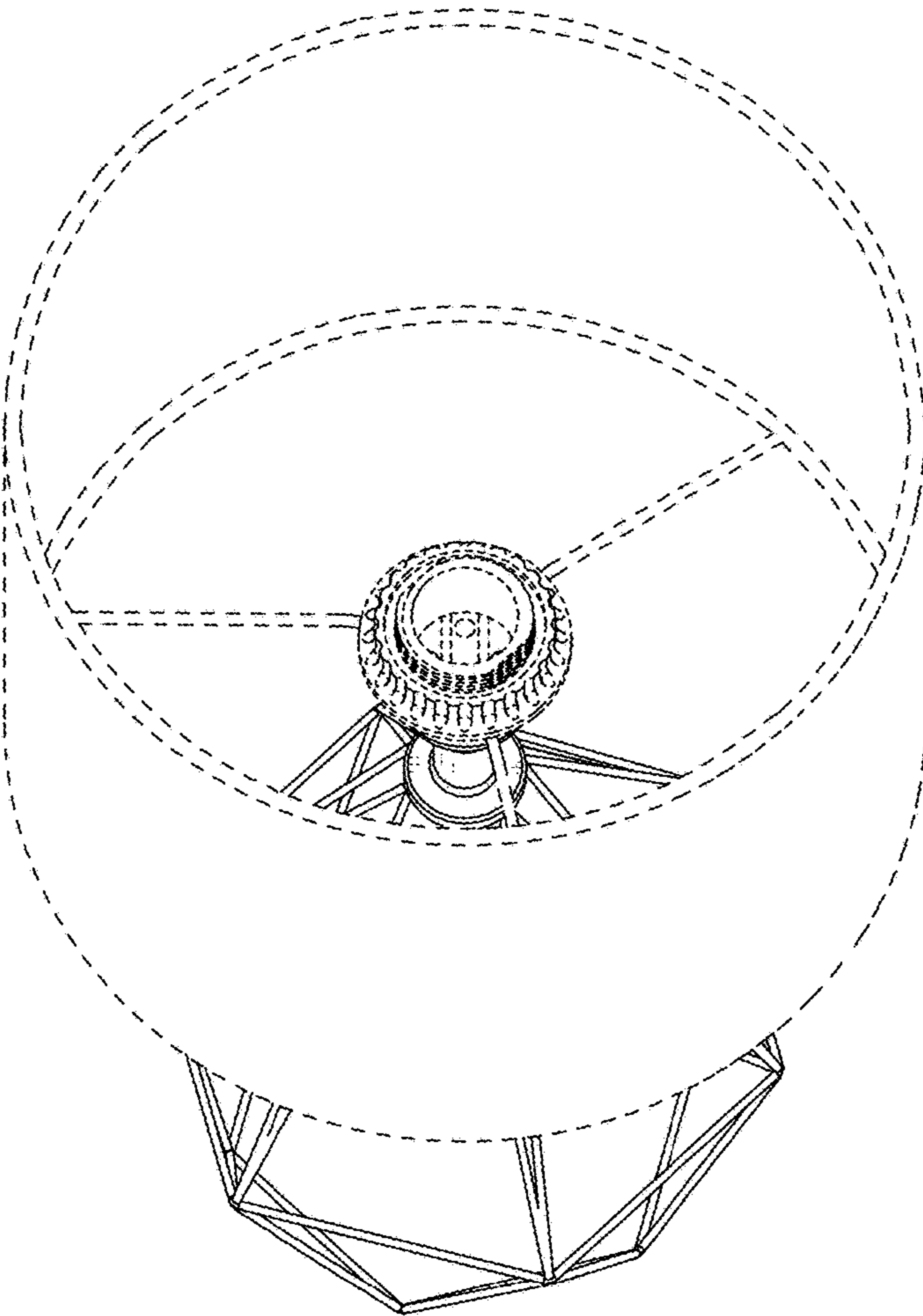


FIG. 11

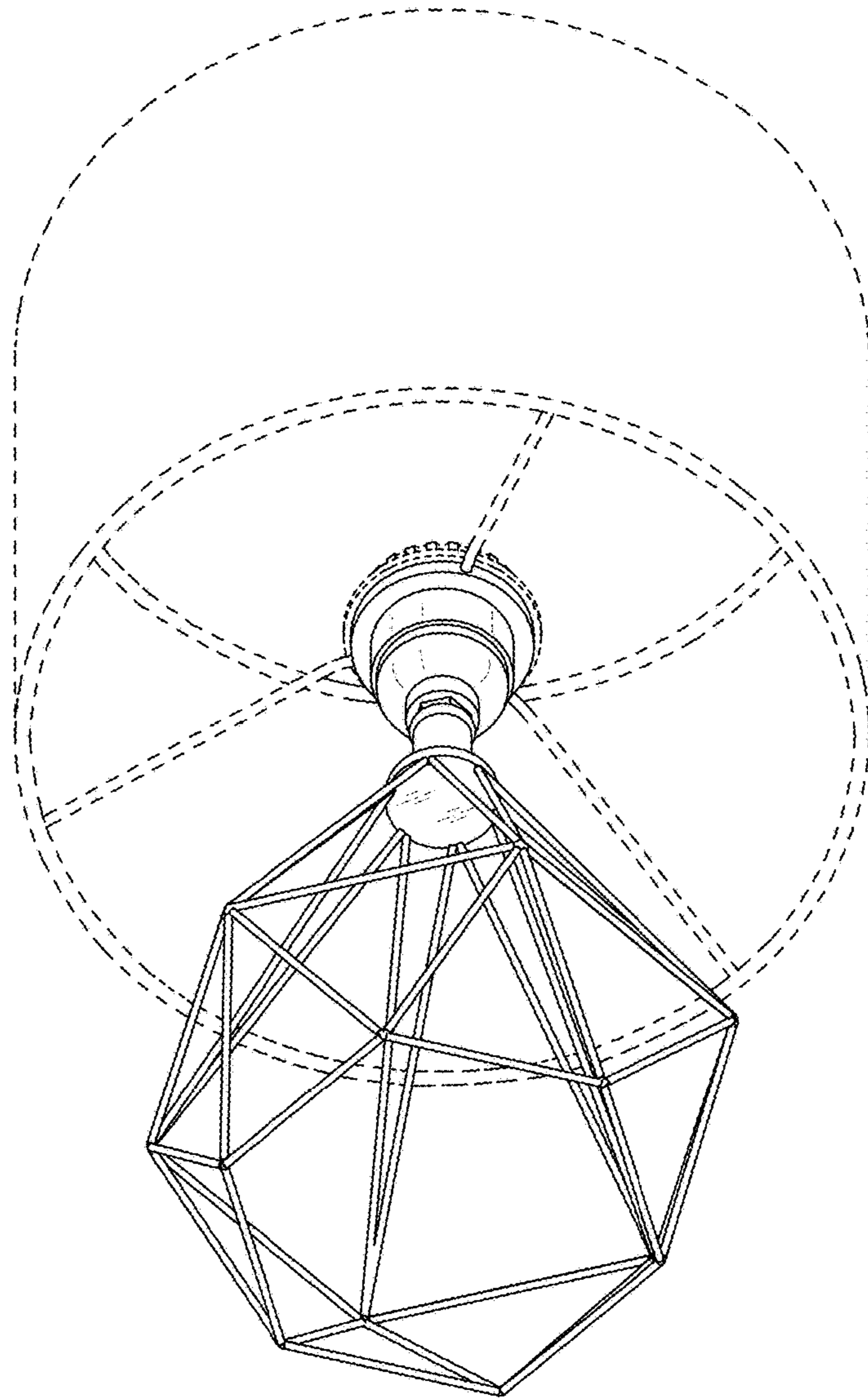


FIG. 12