



US00D847412S

(12) **United States Design Patent** (10) **Patent No.:** **US D847,412 S**  
**Trzeciński** (45) **Date of Patent:** **\*\* Apr. 30, 2019**

(54) **HOUSING FOR A LED-BASED LIGHTING APPARATUS**

(71) Applicant: **LED LABS sp. z o.o.**, Kraków (PL)

(72) Inventor: **Grzegorz Trzeciński**, Kraków (PL)

(73) Assignee: **LED LABS SP. Z O.O.**, Krakow (PL)

(\*\*) Term: **15 Years**

(21) Appl. No.: **29/605,591**

(22) Filed: **May 26, 2017**

(51) **LOC (11) Cl.** ..... **26-06**

(52) **U.S. Cl.**  
 USPC ..... **D26/138**

(58) **Field of Classification Search**  
 USPC ..... D26/76, 78, 79, 80, 81, 82, 83, 85, 86,  
 D26/88, 90, 93, 111, 113, 118, 119, 120,  
 D26/121, 122, 138, 139, 140, 141, 142,  
 D26/152  
 CPC ..... F21S 2/00; F21S 4/00; F21S 4/003; F21S  
 4/005; F21S 4/006; F21S 4/007; F21S  
 4/008; F21S 6/00; F21S 8/00; F21S  
 8/024; F21S 8/026; F21S 8/031; F21S  
 8/033; F21S 8/035–8/037; F21S 8/04;  
 F21S 8/043; F21S 8/063

See application file for complete search history.

(56) **References Cited**

U.S. PATENT DOCUMENTS

D293,098 S *	12/1987	Layton .....	D13/155
D621,091 S *	8/2010	Klu .....	D26/138
D623,342 S *	9/2010	Klu .....	D26/138
D695,955 S *	12/2013	Klus .....	D26/138
D696,814 S *	12/2013	Matus, Jr. ....	D26/138
D705,984 S *	5/2014	Klus .....	D26/138
D724,259 S *	3/2015	Klus .....	D26/141
D731,704 S *	6/2015	Klus .....	D26/138
D775,374 S *	12/2016	Walker .....	D25/126
D796,111 S *	8/2017	Trzielinski .....	D26/142
D799,720 S *	10/2017	Tress .....	D25/119
D807,572 S *	1/2018	Klus .....	D26/138

\* cited by examiner

*Primary Examiner* — Natasha Vujcic  
 (74) *Attorney, Agent, or Firm* — Andrew Malarz, Esq.

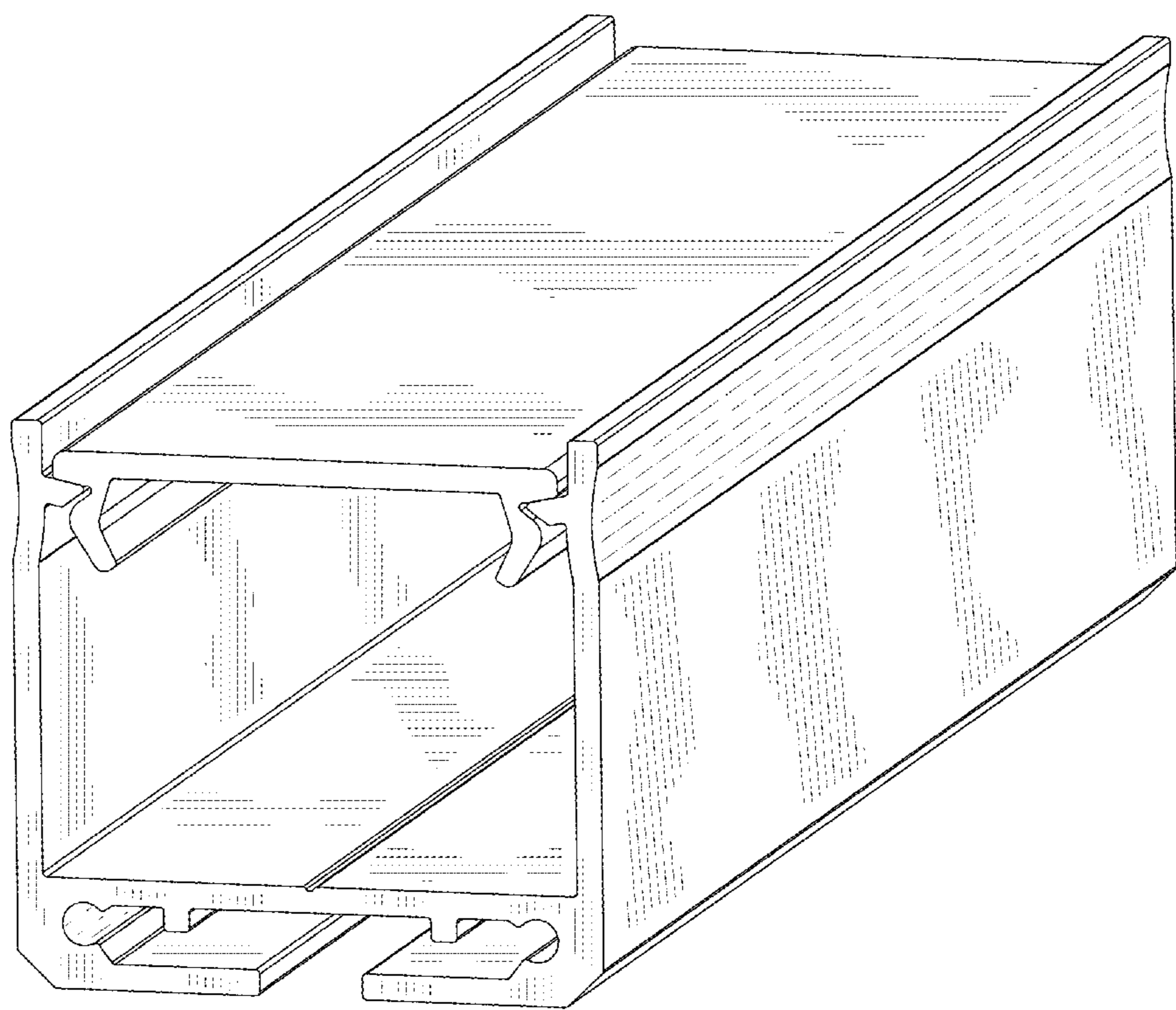
(57) **CLAIM**

An ornamental design for a housing for a LED-based lighting apparatus, as shown and described.

**DESCRIPTION**

FIG. 1 is a front isometric view of a housing for a LED based lighting apparatus;  
 FIG. 2 is a front view of the housing shown in FIG. 1;  
 FIG. 3 is a bottom view of the housing shown in FIG. 1;  
 FIG. 4 is a side view of the housing shown in FIG. 1; and,  
 FIG. 5 is a upper view of the housing shown in FIG. 1.

**1 Claim, 5 Drawing Sheets**



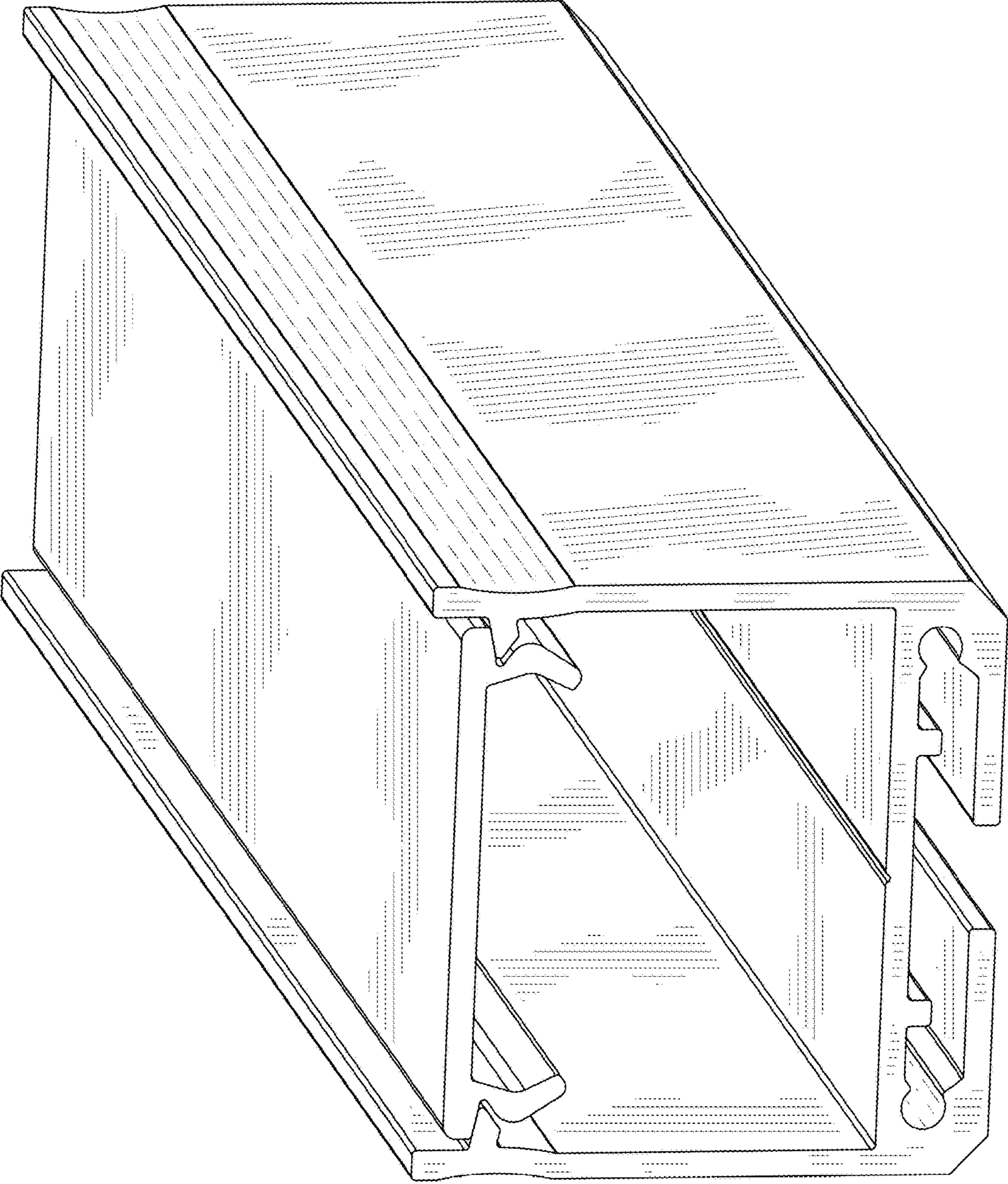


FIG. 1.

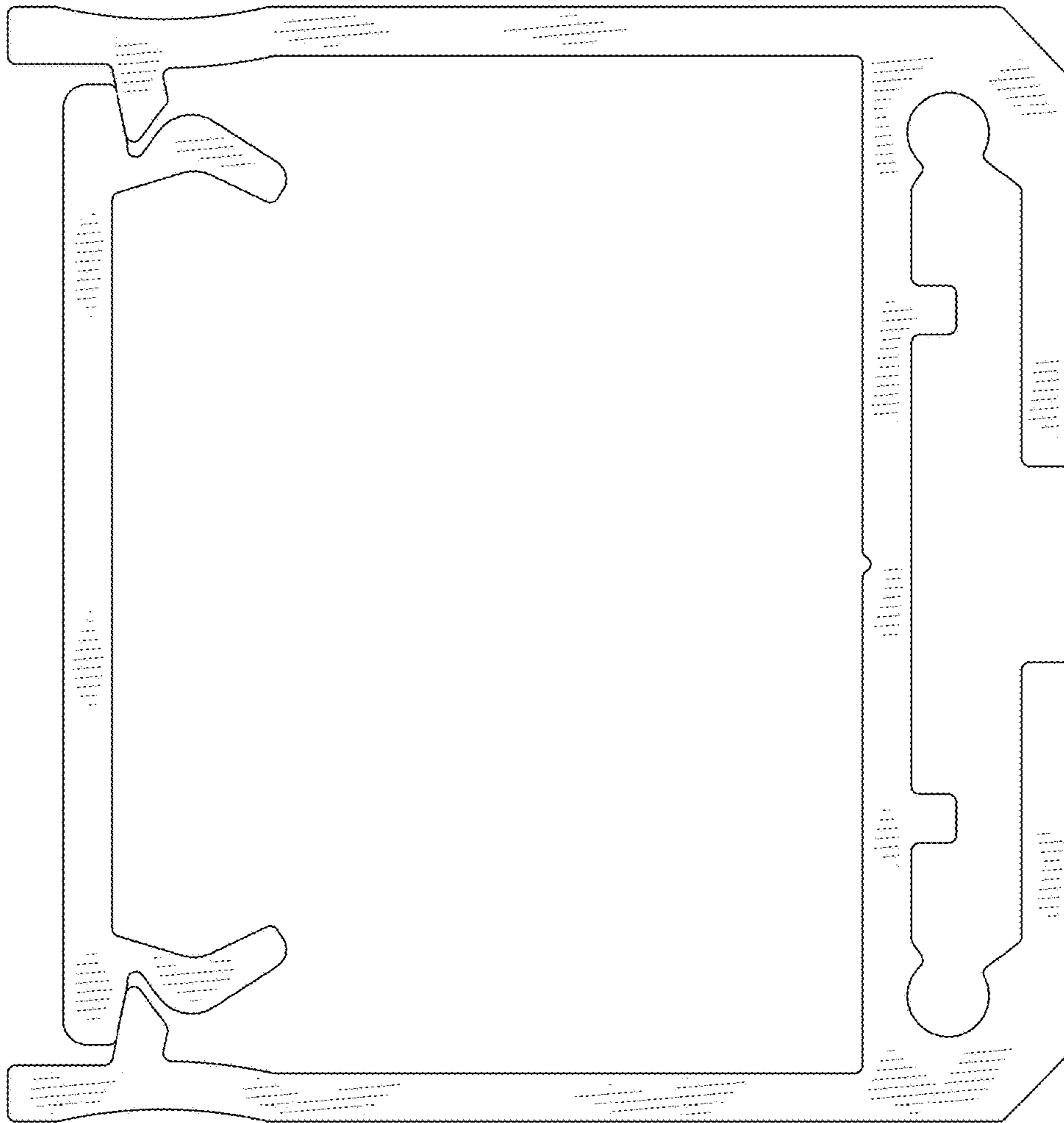


FIG. 2.



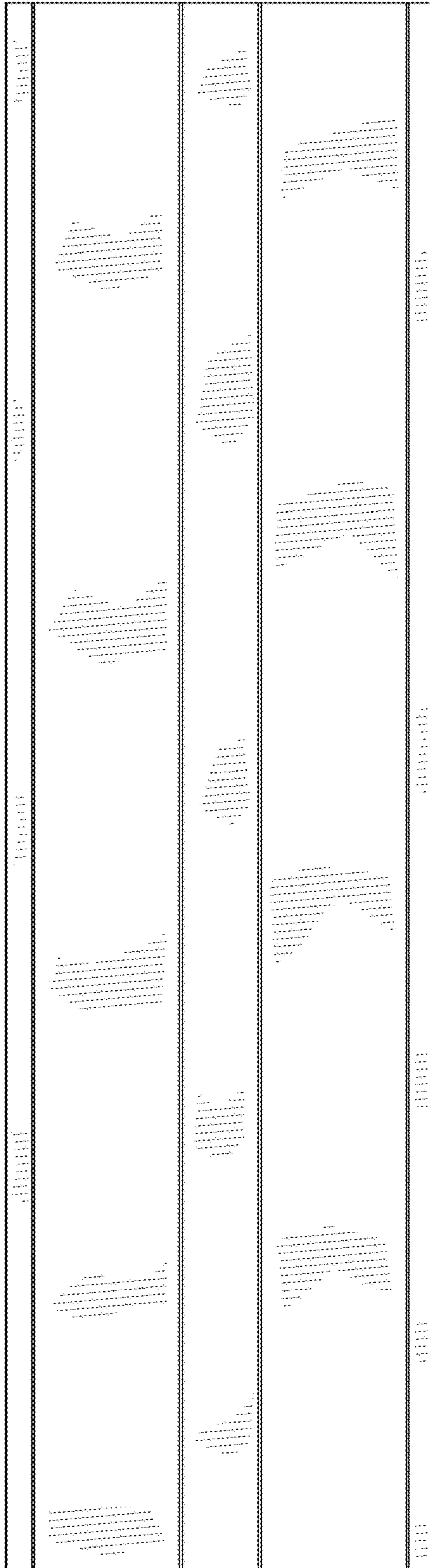


FIG. 3.

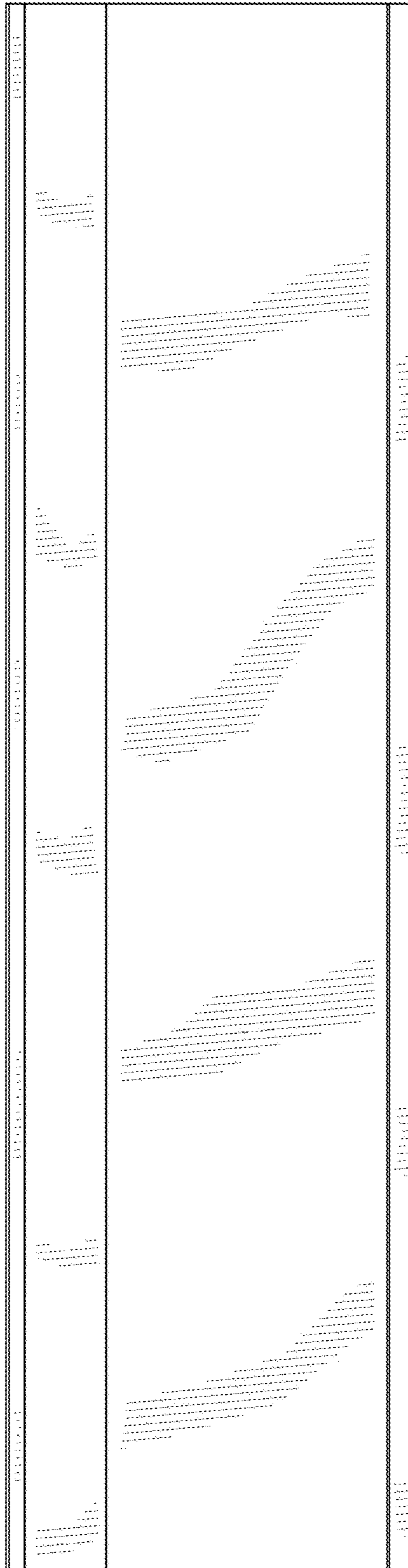


Fig. 4.

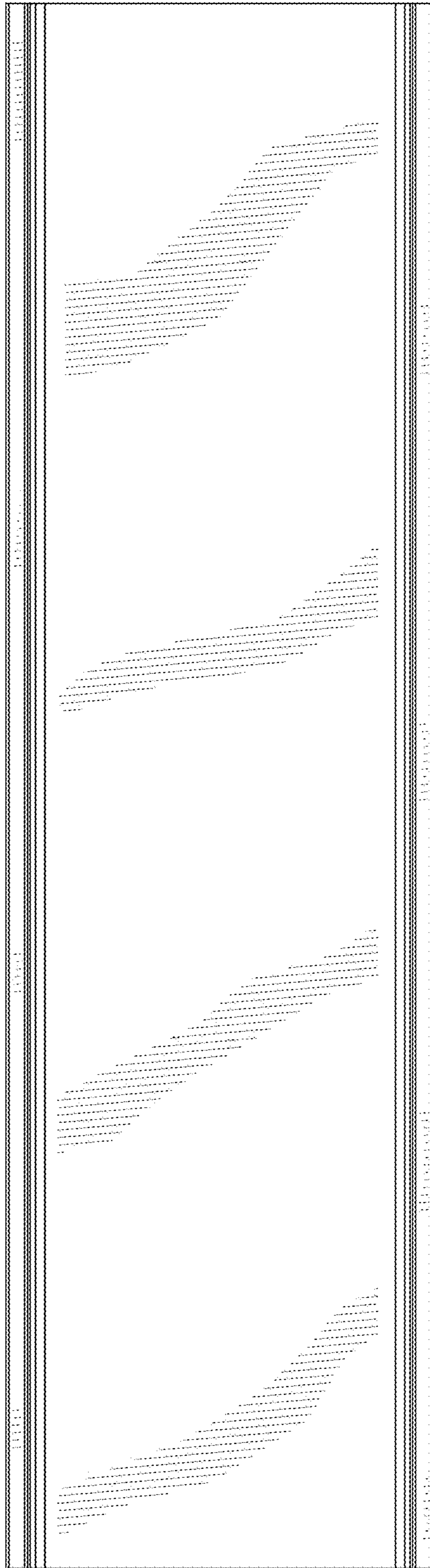


Fig. 5.