



US00D847410S

(12) **United States Design Patent** (10) **Patent No.:** **US D847,410 S**
Stanley (45) **Date of Patent:** **** Apr. 30, 2019**

- (54) **BALLAST HANGING BRACKET**
- (71) Applicant: **HGCI, Inc.**, Las Vegas, NV (US)
- (72) Inventor: **John Stanley**, Vancouver, WA (US)
- (73) Assignee: **HGCI, Inc.**, Las Vegas, NV (US)
- (**) Term: **15 Years**
- (21) Appl. No.: **29/590,384**
- (22) Filed: **Jan. 10, 2017**

Related U.S. Application Data

- (63) Continuation of application No. 29/572,371, filed on Jul. 27, 2016, now Pat. No. Des. 779,312, which is a (Continued)
- (51) **LOC (11) Cl.** **26-05**
- (52) **U.S. Cl.**
USPC **D26/138**
- (58) **Field of Classification Search**
USPC D26/26, 27, 60–66, 72, 92, 93, 94, 113, D26/138, 140, 152, 153, 155; D8/349, D8/350, 354, 356, 363, 382, 373, 380, D8/381, 372; D16/242; D25/119, 120, D25/121, 122
CPC F21V 15/015; F21V 17/02; F21V 17/04; F21V 17/08; F21V 17/06; F21V 17/10; F61L 3/11; F61L 3/133
See application file for complete search history.

(56) **References Cited**

U.S. PATENT DOCUMENTS

- 2,518,515 A 8/1950 Austin
 - 3,104,087 A 9/1963 Budnick
- (Continued)

OTHER PUBLICATIONS

Container Store, Hook-Over Over the Door Hook, reviewed Apr. 1, 2010, [online], [site visited Aug. 1, 2018]. Available from internet,

<URL: <https://www.containerstore.com/s/hooks/over-the-door/hook-over-over-the-door-hook/12d?productId=10005225>> (Year: 2010).*
(Continued)

Primary Examiner — Sheryl Lane
Assistant Examiner — Samantha N Wood
(74) *Attorney, Agent, or Firm* — J. Douglas Wells

(57) **CLAIM**

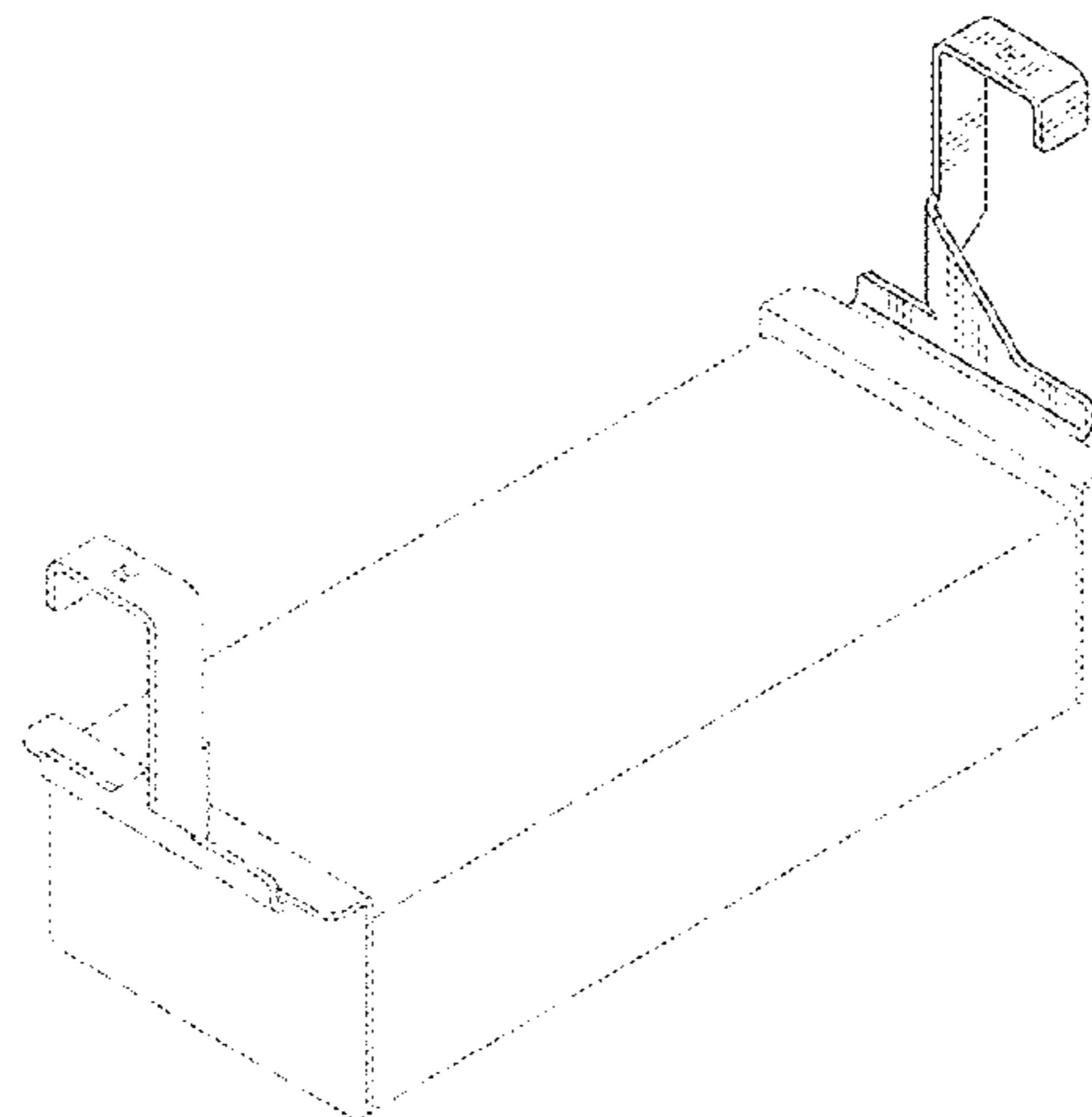
The ornamental design for a ballast hanging bracket, as shown and described.

DESCRIPTION

FIG. 1 is a perspective view of a ballast hanging bracket, as viewed from above, showing my new design in an exemplary environment;
 FIG. 2 is a perspective view of the ballast hanging bracket shown in FIG. 1, as viewed from above, showing my new design;
 FIG. 3 is a perspective view of the ballast hanging bracket shown in FIG. 1, as viewed from below;
 FIG. 4 is a left side elevation view of the ballast hanging bracket shown in FIG. 1;
 FIG. 5 is a front elevation view of the ballast hanging bracket shown in FIG. 1;
 FIG. 6 is a right side elevation view of the ballast hanging bracket shown in FIG. 1;
 FIG. 7 is a top plan view of the ballast hanging bracket shown in FIG. 1;
 FIG. 8 is a bottom plan view of the ballast hanging bracket shown in FIG. 1; and,
 FIG. 9 is a rear elevation view of the ballast hanging bracket shown in FIG. 1.

The broken-line disclosure shown in the views is understood to represent portions of the article in which the claimed design is embodied, but which form no part of the claimed design.

1 Claim, 2 Drawing Sheets



Related U.S. Application Data

continuation of application No. 29/533,943, filed on Jul. 23, 2015, now Pat. No. Des. 789,595.

(56)

References Cited

U.S. PATENT DOCUMENTS

4,120,122 A * 10/1978 Bahr E04D 3/405
52/300

4,165,851 A 8/1979 Bowden, Jr.

4,511,113 A 4/1985 Druffel

D290,931 S 7/1987 Powell

D301,632 S 6/1989 Lorentz

D305,299 S 1/1990 Freeman

5,045,985 A 9/1991 Russo

D324,990 S 3/1992 Gary

D331,006 S 11/1992 Dziedzic

D349,041 S 7/1994 Wical

D357,398 S 4/1995 Osbern

D377,309 S * 1/1997 Hofman D8/372

D382,464 S * 8/1997 McCoy D8/373

6,332,597 B1 12/2001 Korcz

D476,217 S 6/2003 Shea

D481,303 S 10/2003 Fell

D483,249 S 12/2003 Klein

D488,837 S 4/2004 Dion

D494,051 S 8/2004 Klein

D494,454 S 8/2004 Klein

D541,636 S 5/2007 Walker

D549,083 S 8/2007 Barnett

7,673,841 B2 3/2010 Wronski

D617,071 S * 6/2010 Roesner D34/10

D618,085 S * 6/2010 Lin D8/354

D636,928 S 4/2011 Lin

D650,483 S 12/2011 Roggenkamp

D657,658 S 4/2012 Jones

D658,043 S * 4/2012 Burr D6/575

D660,133 S 5/2012 Yoder

D663,190 S 7/2012 Mota

D678,043 S 3/2013 Lu

D692,899 S * 11/2013 Bremenkamp D14/447

D704,037 S 5/2014 Popkin

D707,535 S * 6/2014 Burr D8/363

D709,361 S * 7/2014 Caldwell D8/403

D711,213 S * 8/2014 Schorn D8/373

9,010,696 B2 4/2015 Siddiqui

D743,952 S 11/2015 Venghaus

D747,953 S 1/2016 Thompson

D764,830 S 8/2016 Rancatore, Jr.

D764,831 S 8/2016 Rancatore, Jr.

D779,312 S 2/2017 Stanley

D789,595 S * 6/2017 Stanley D26/138

2005/0243547 A1 11/2005 Cini

2009/0321595 A1 12/2009 Conway

OTHER PUBLICATIONS

Galaxy DE Commercial Horizontal Hanging Brackets, Sunlight Supply, <https://sunlightsupply.com/shop/bycategory/commercial-greenhouse-fixtures>, accessed May 6, 2016.

Galaxy DE Commercial Vertical Hanging Bracket, Sunlight Supply, <https://sunlightsupply.com/shop/bycategory/commercial-greenhouse-fixtures>, accessed May 6, 2016.

Hydrofarm PHR DE—Hanging Ballast Short Wire Bracket, Miami Hydroponics, <https://miamihydro.com/hydrofarm-phr-de-hanging-ballast-short-wire-bracket.html>, accessed May 6, 2016.

LightRail Hanging Bracket for Grow Tents, Sunlight Supply, <https://sunlightsupply.com/shop/bycategory/light-movers-and-hangers>, accessed May 6, 2016.

Compact Heavy-Duty HID Ballast Mounting Bracket Set, Onyx Lights, <https://www.onyxlights.com/accessories/compact-heavy-duty-hid-ballast-mounting-bracket-set>, accessed May 6, 2016.

Sun System ProMag Commercial Fixture, Sunlight Supply, <https://sunlightsupply.com/shop/bycategory/commercial-greenhouse-fixtures>, accessed May 6, 2016.

Specifications, Sun System ProMag 1000 Watt Switchable Quint-Tap Commercial Fixture, updated May 13, 2015.

Sun System Universal Reflector Uni-Strut Brackets, Sunlight Supply, <https://sunlightsupply.com/shop/bycategory/light-movers-and-hangers>, accessed May 6, 2016.

* cited by examiner

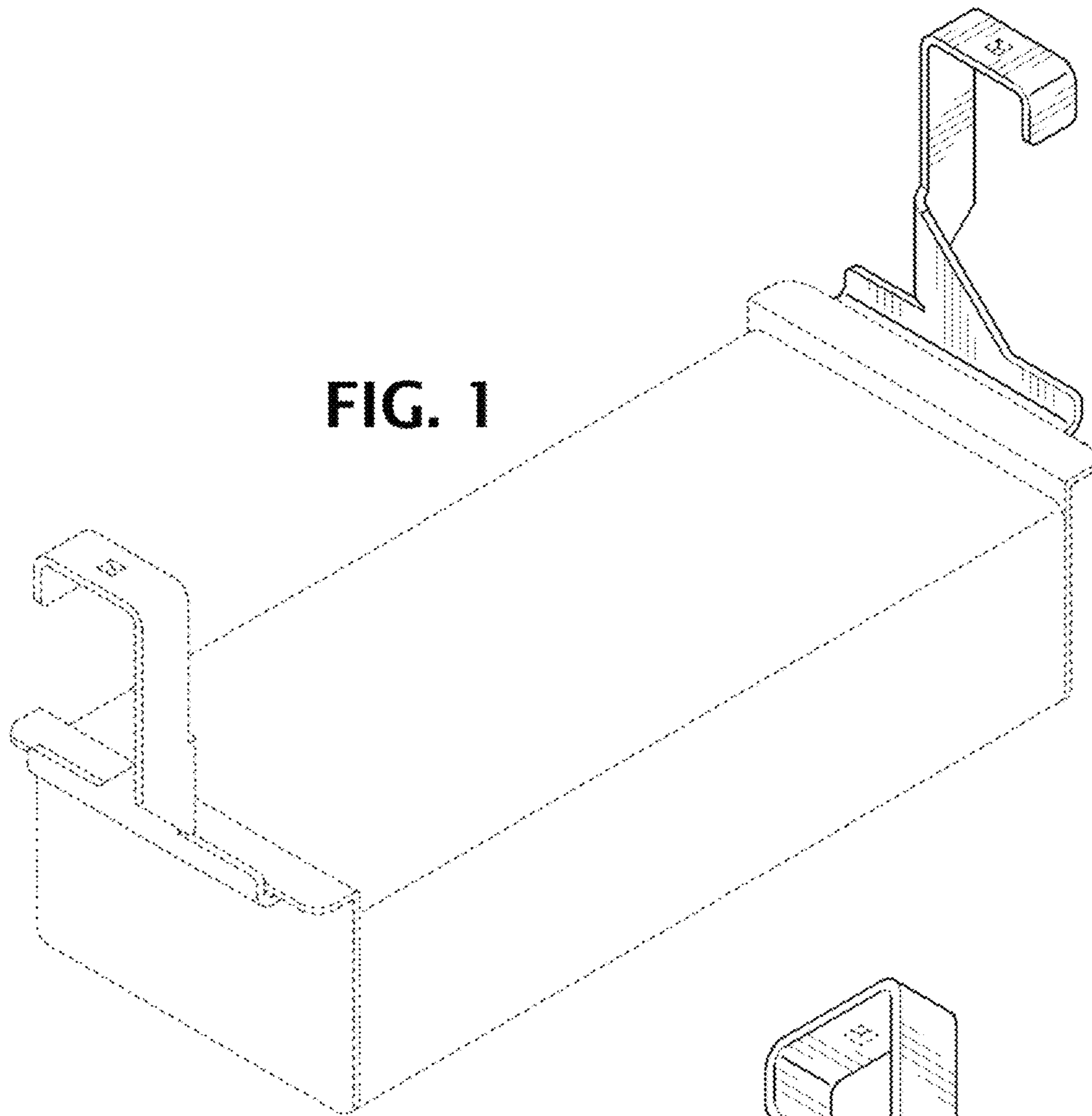


FIG. 1

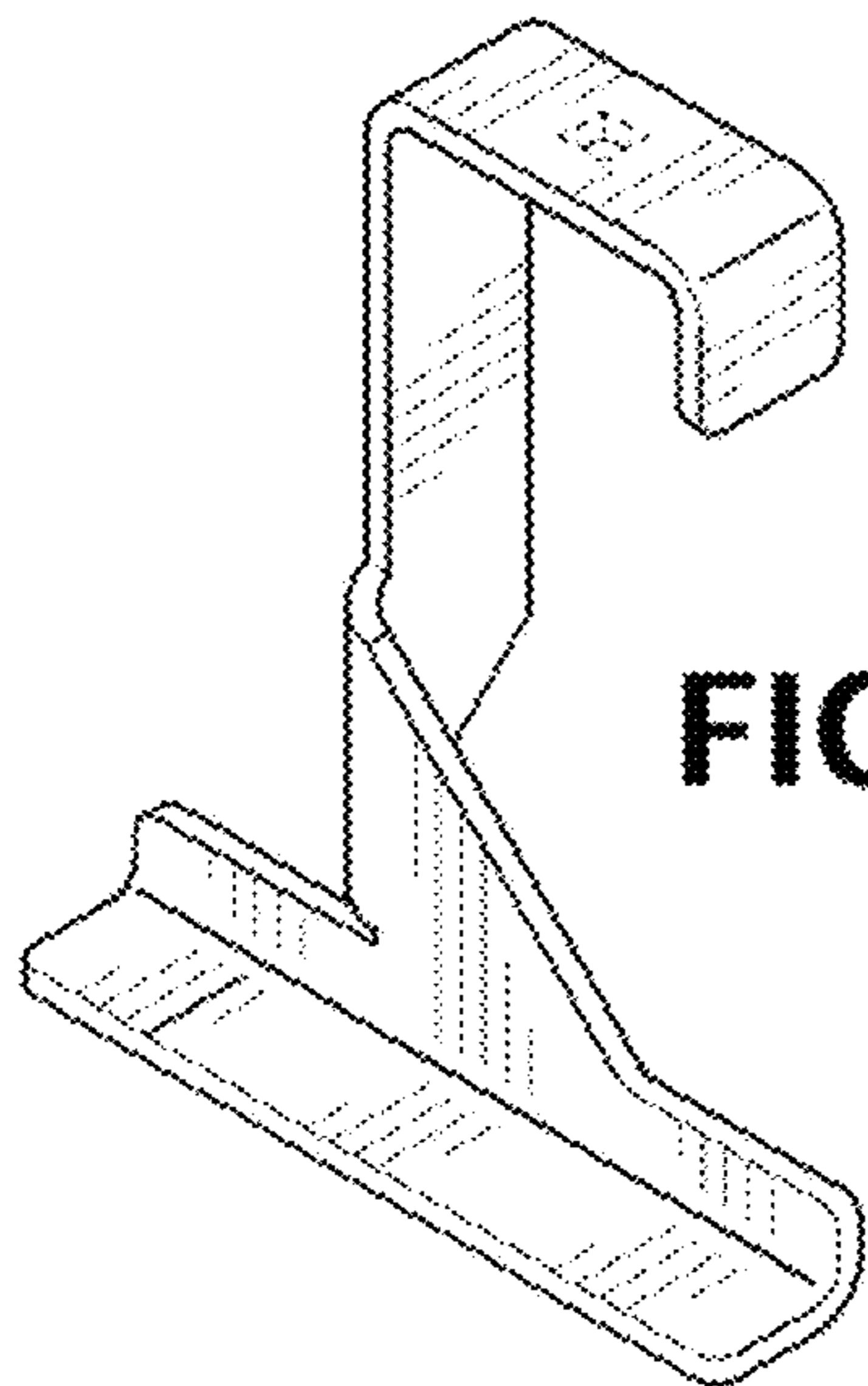


FIG. 2

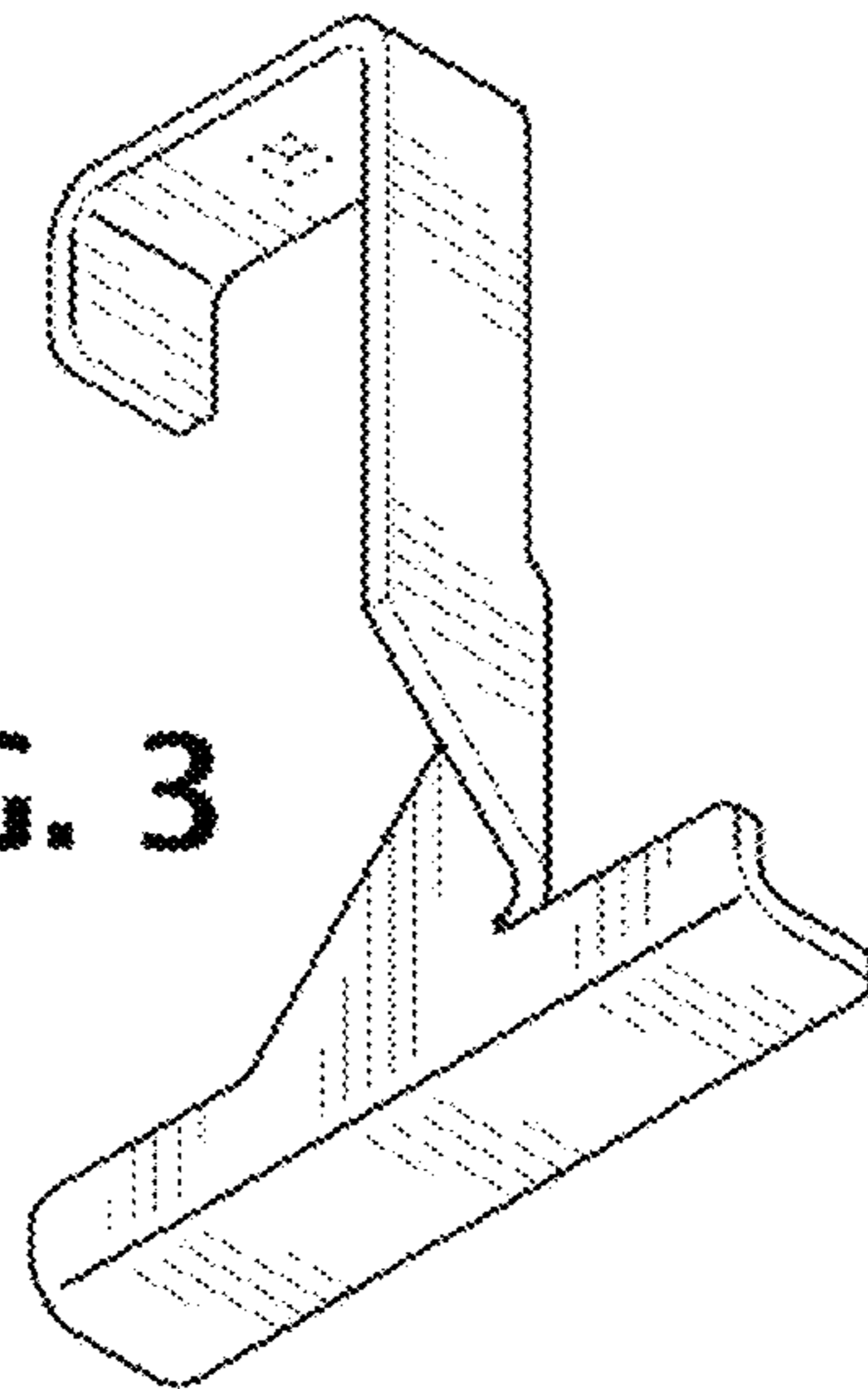


FIG. 3

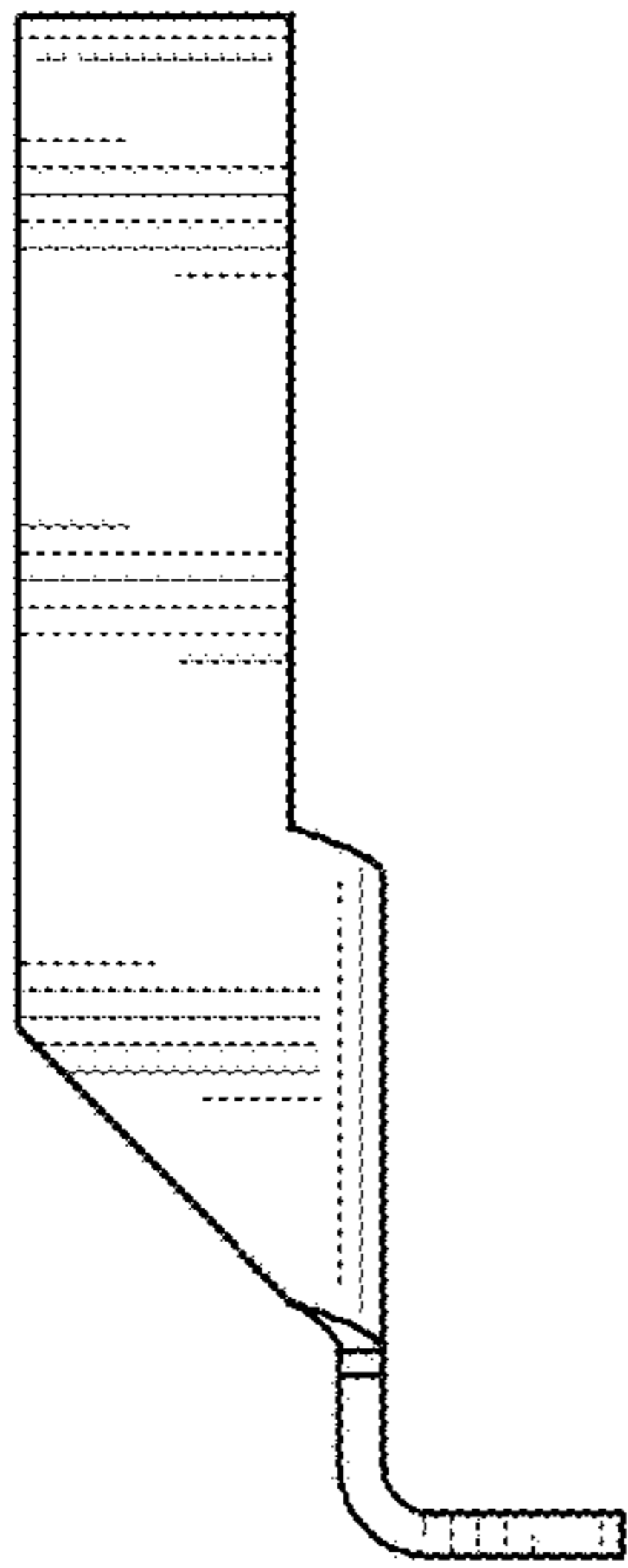


FIG. 4

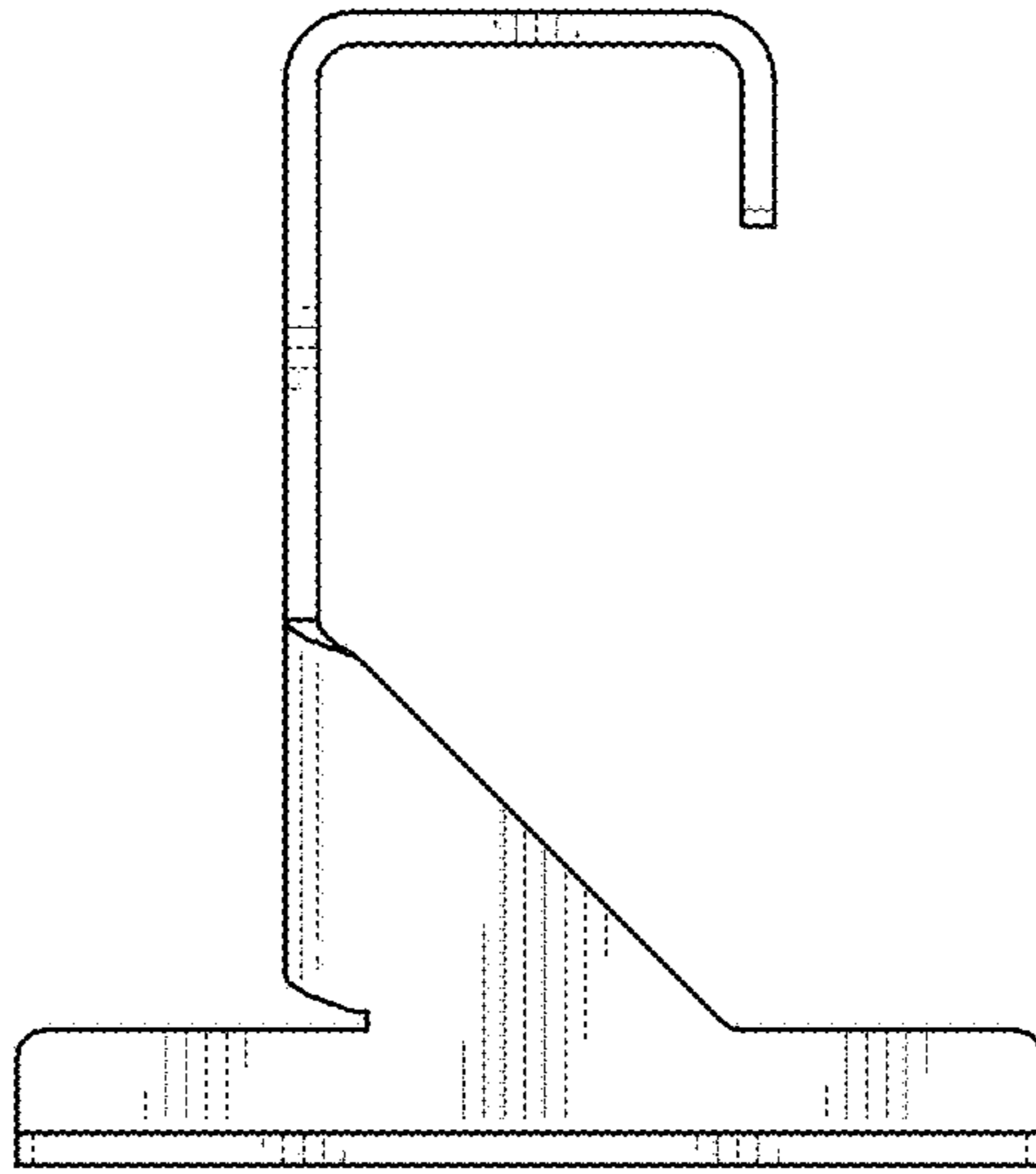


FIG. 5

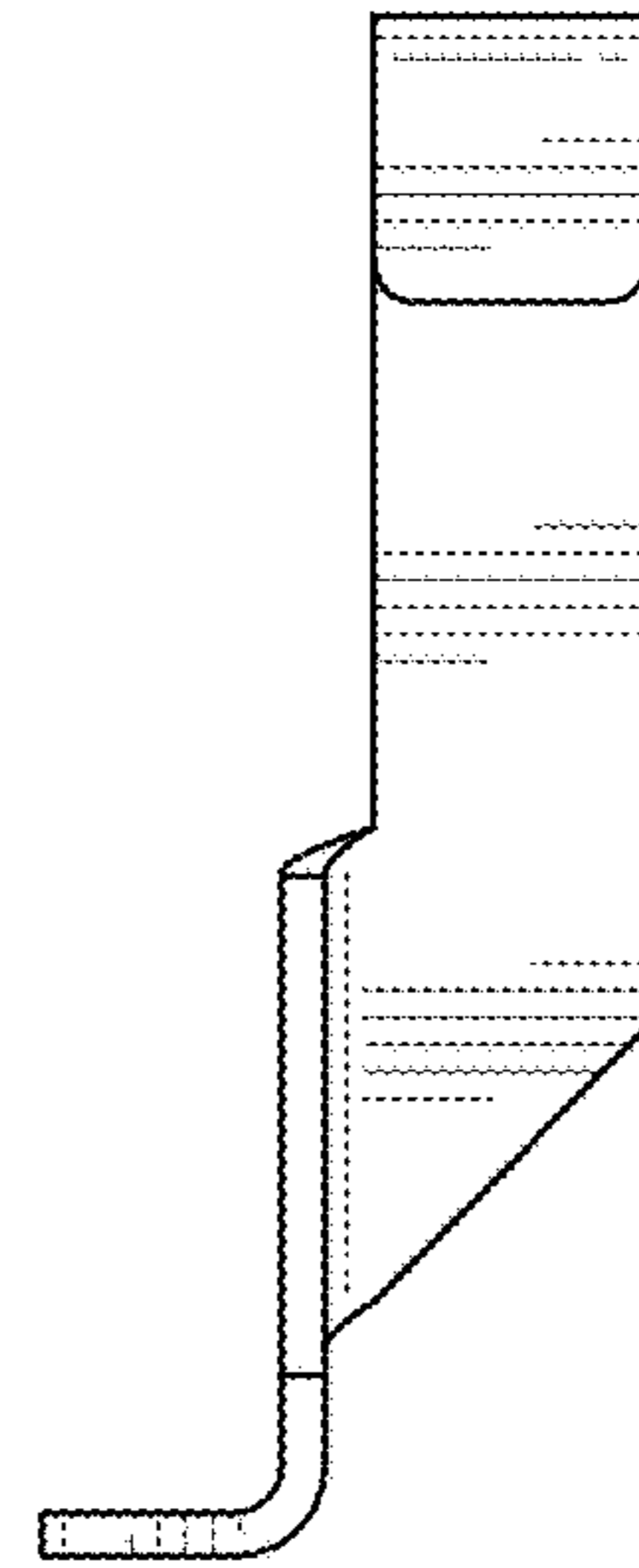


FIG. 6

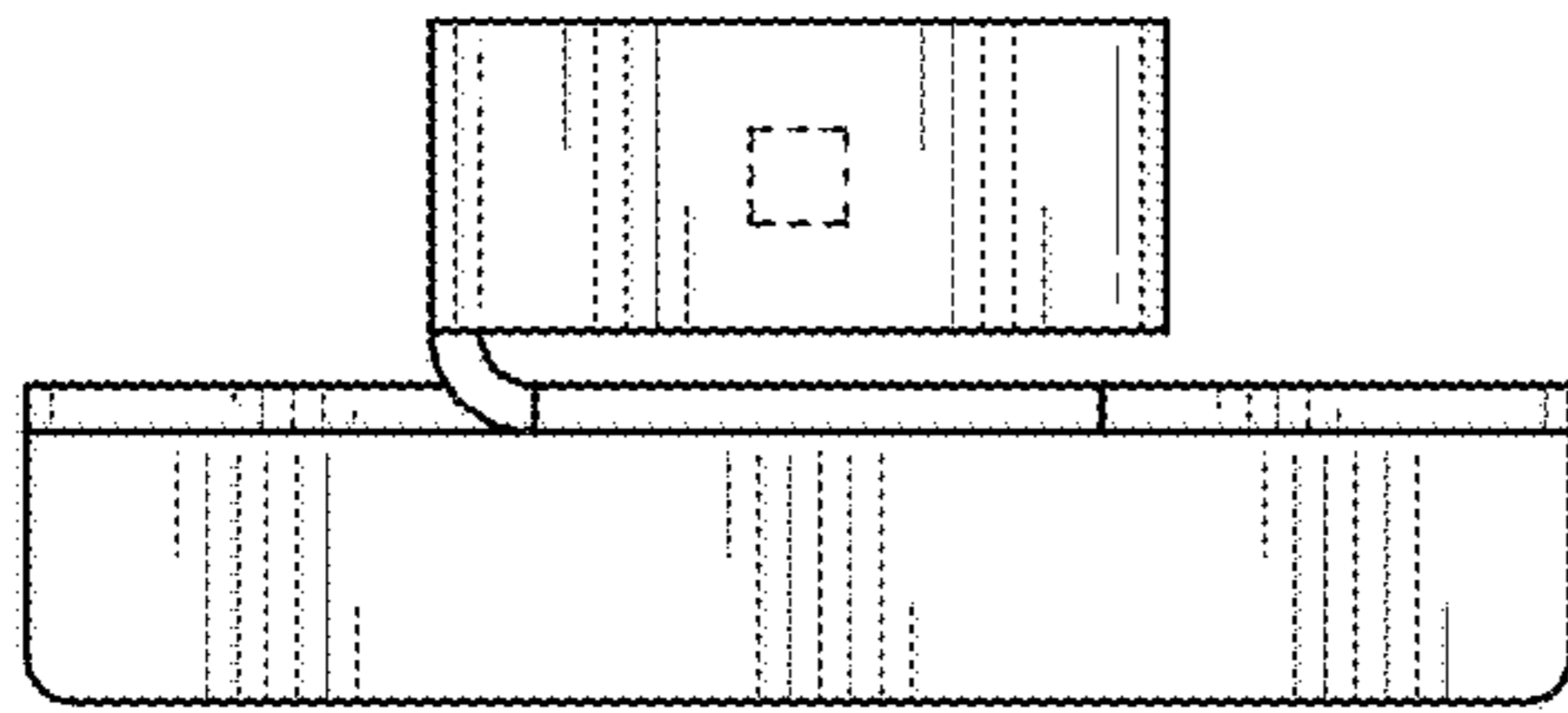


FIG. 7

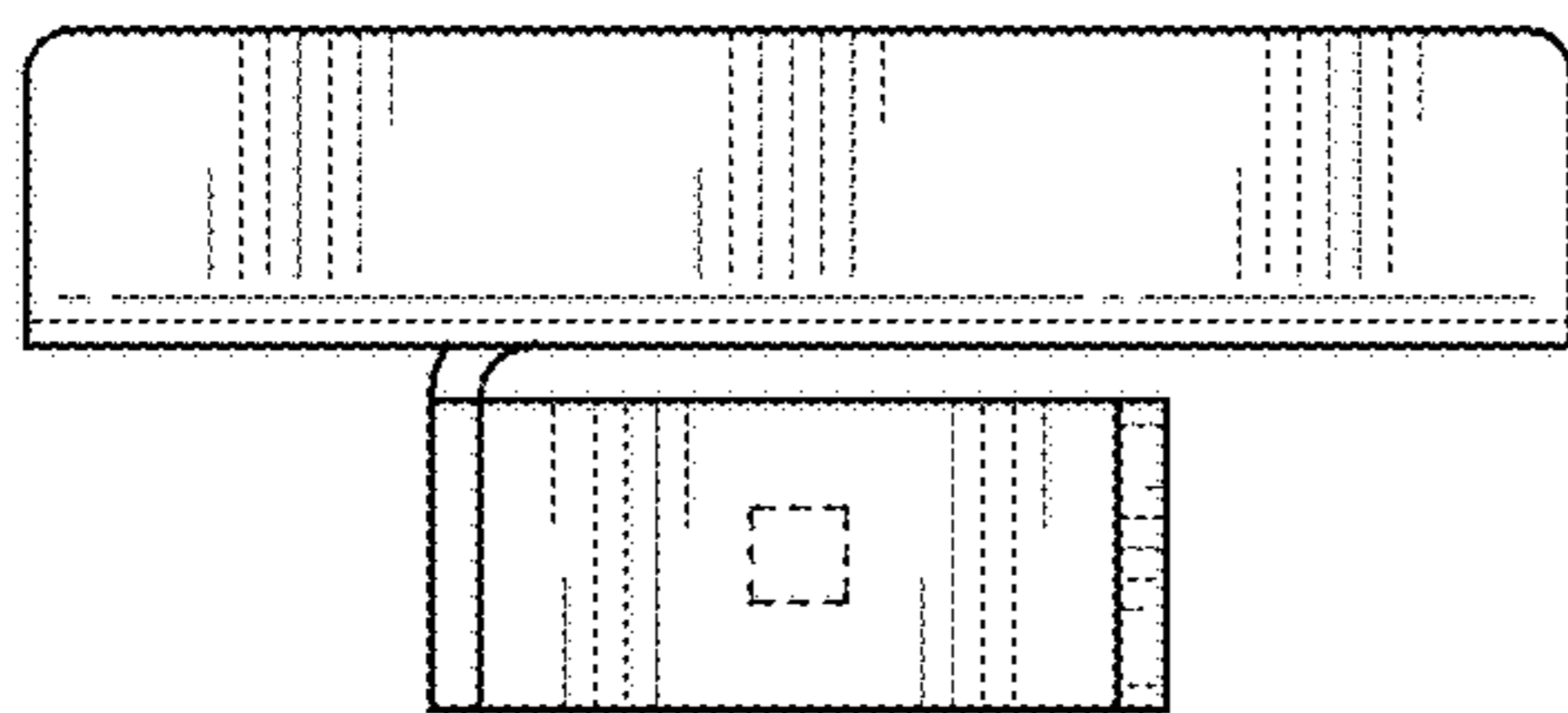


FIG. 8

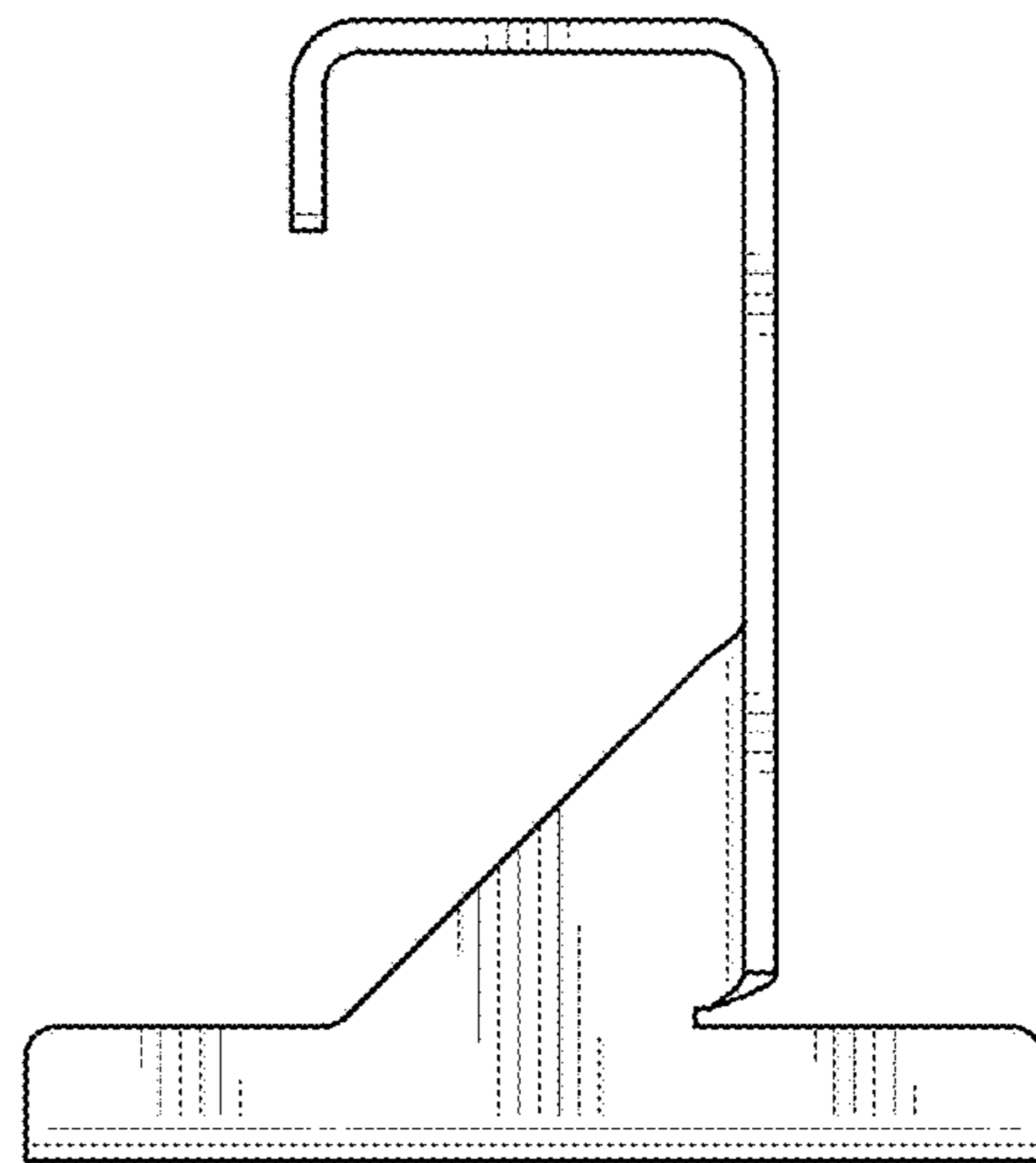


FIG. 9