

US00D847405S

(12) **United States Design Patent** (10) **Patent No.:** **US D847,405 S**  
**Guerrieri** (45) **Date of Patent:** **\*\* Apr. 30, 2019**

(54) **COVER FOR LED STRIPS**

(56) **References Cited**

(71) Applicant: **General LED AI Holdings, LLC**, San Antonio, TX (US)

U.S. PATENT DOCUMENTS

(72) Inventor: **Salvatore Guerrieri**, Lavallette, NJ (US)

6,903,265	B1 *	6/2005	VanderVelde .....	H02G 3/0418
				174/481
D621,542	S *	8/2010	Klus .....	D26/138
D623,342	S *	9/2010	Klu .....	D26/138
D724,256	S *	3/2015	Klus .....	D26/141
D731,700	S *	6/2015	Santoro .....	D26/118
D792,017	S *	7/2017	Klus .....	D26/138
D793,617	S *	8/2017	Trzielinski .....	D26/118
D796,111	S *	8/2017	Trzielinski .....	D26/142
D797,349	S *	9/2017	Rashidi Doust .....	D26/118
D800,374	S *	10/2017	Klus .....	D26/118
D818,633	S *	5/2018	Barker .....	D26/118

(73) Assignee: **General LED AI Holdings, LLC**, San Antonio, TX (US)

(\*\*) Term: **15 Years**

\* cited by examiner

(21) Appl. No.: **29/641,692**

(22) Filed: **Mar. 23, 2018**

*Primary Examiner* — Brian N. Vinson  
(74) *Attorney, Agent, or Firm* — William H. Quirk; Jesse Frizzell; Rosenthal Pauerstein Sandoloski Agather LLP

**Related U.S. Application Data**

(63) Continuation of application No. 15/227,088, filed on Aug. 3, 2016, now abandoned.

(57) **CLAIM**

The ornamental design for a cover for LED strips, as shown and described.

(51) **LOC (11) Cl.** ..... **26-99**

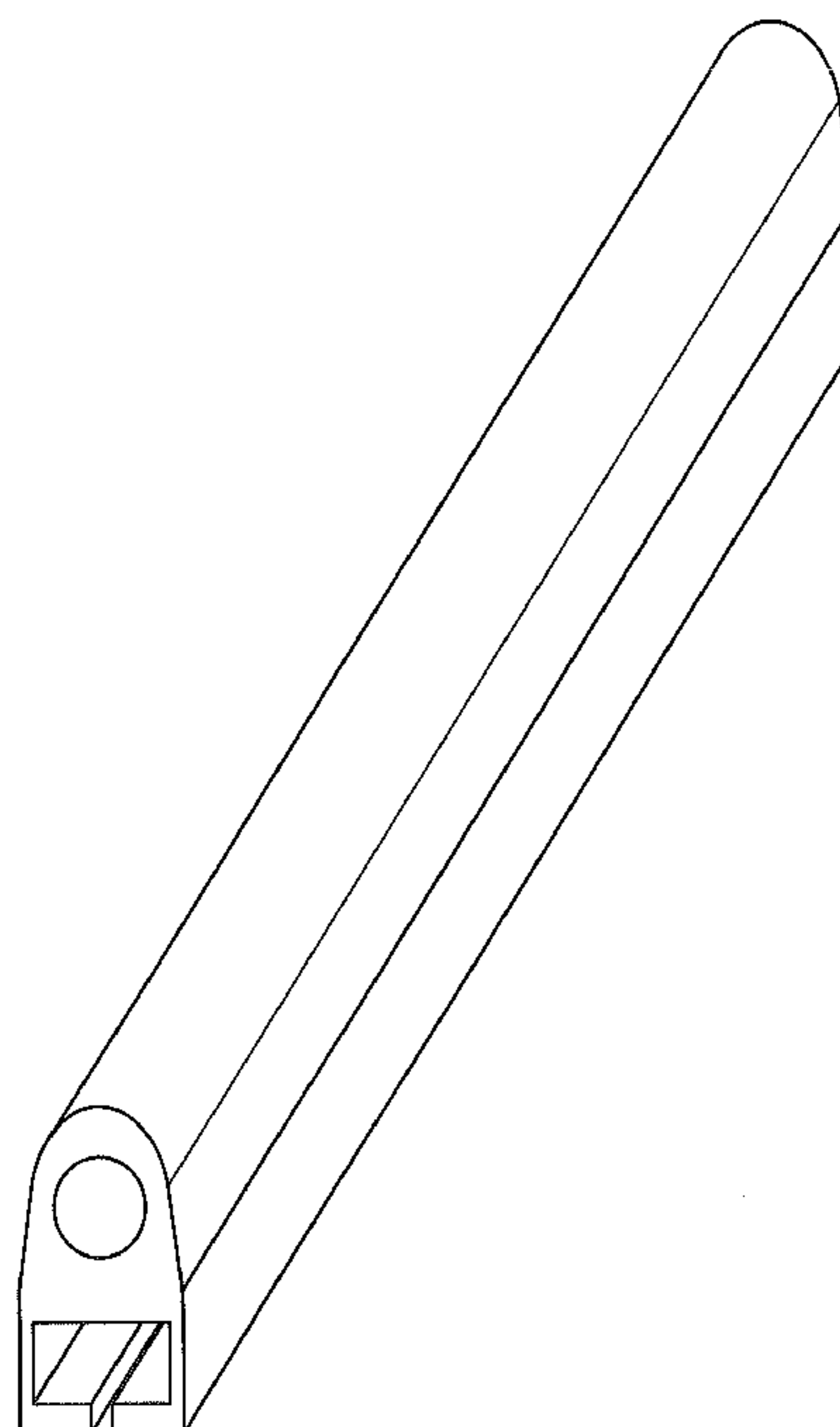
**DESCRIPTION**

(52) **U.S. Cl.**  
USPC ..... **D26/118**

(58) **Field of Classification Search**  
USPC ..... D26/118, 119, 138, 141  
CPC ..... G02B 5/126; H02G 3/0418; E04F 19/04;  
B60Q 3/004; F21K 9/135; F21K 9/27;  
F21S 8/02; F21Y 2101/00; F21Y  
2103/10; F21Y 2107/30; F21Y 2115/10  
See application file for complete search history.

FIG. 1 is a front elevation view of the cover for LED strips.  
FIG. 2 is a back elevation view of the cover for LED strips.  
FIG. 3 is a right elevation view of the cover for LED strips.  
FIG. 4 is a left elevation view of the cover for LED strips.  
FIG. 5 is a top plan view of the cover for LED strips.  
FIG. 6 is a bottom plan view of the cover for LED strips;  
and,  
FIG. 7 is a perspective view of the cover for LED strips.

**1 Claim, 4 Drawing Sheets**



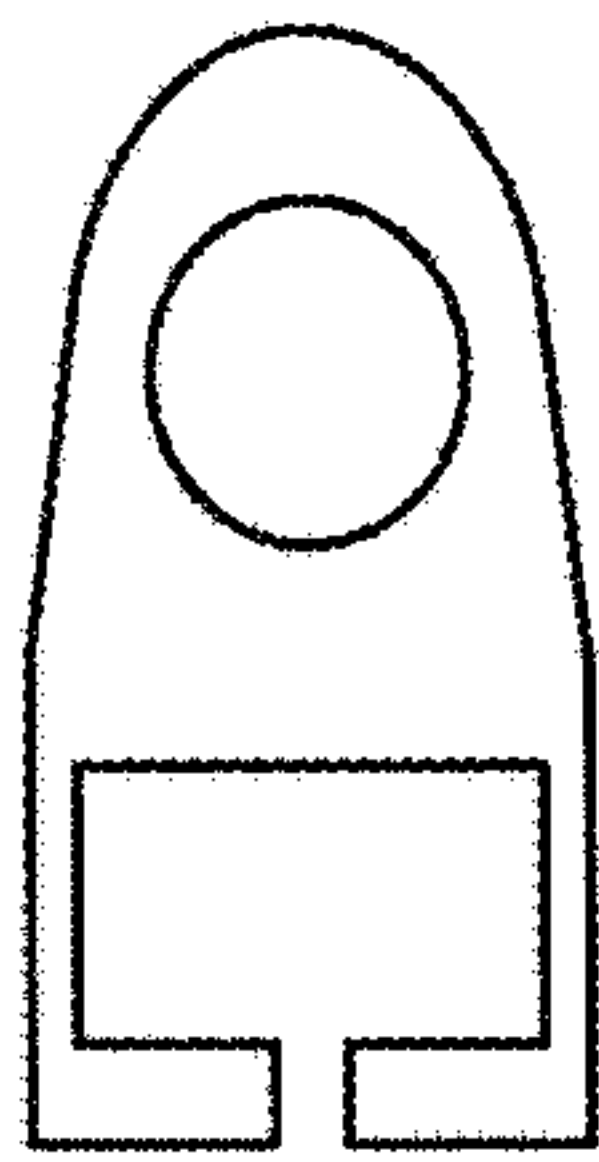


Figure 1

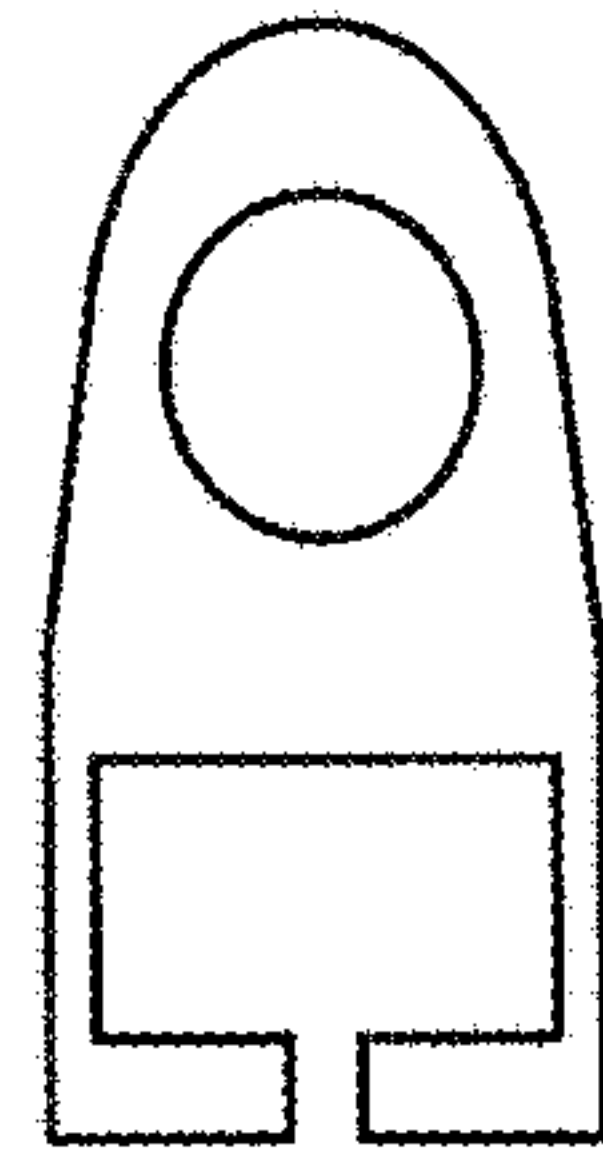


Figure 2

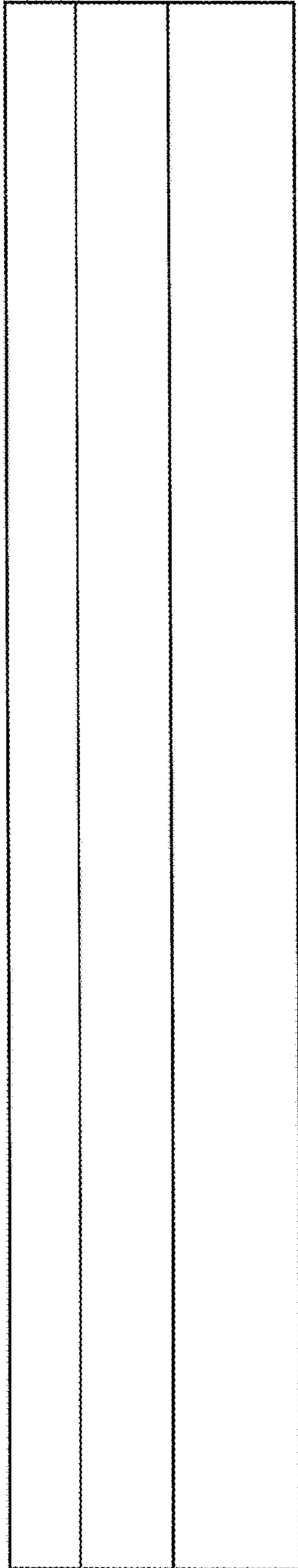


Figure 3

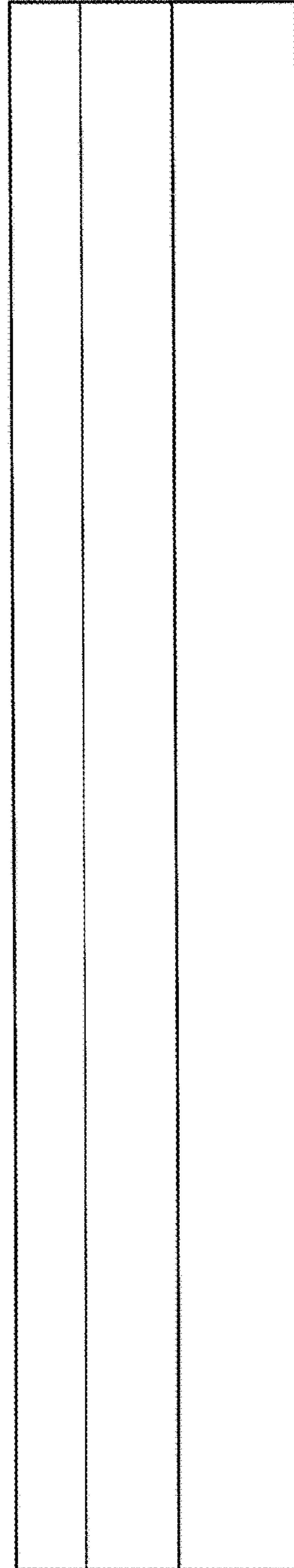


Figure 4

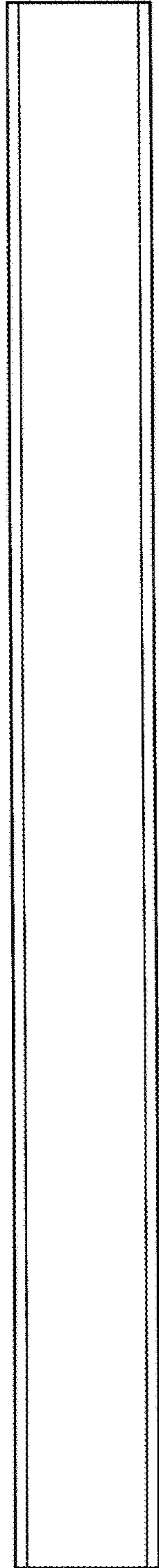


Figure 5

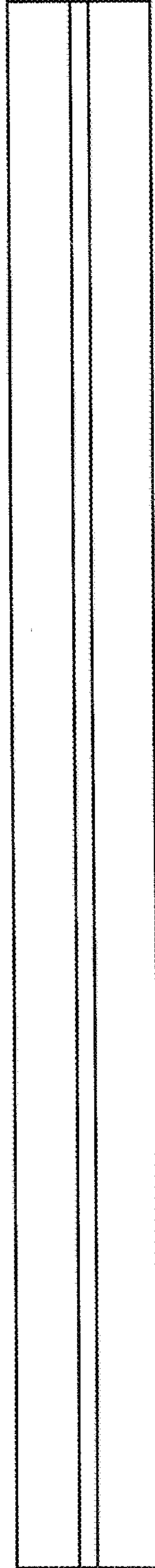


Figure 6

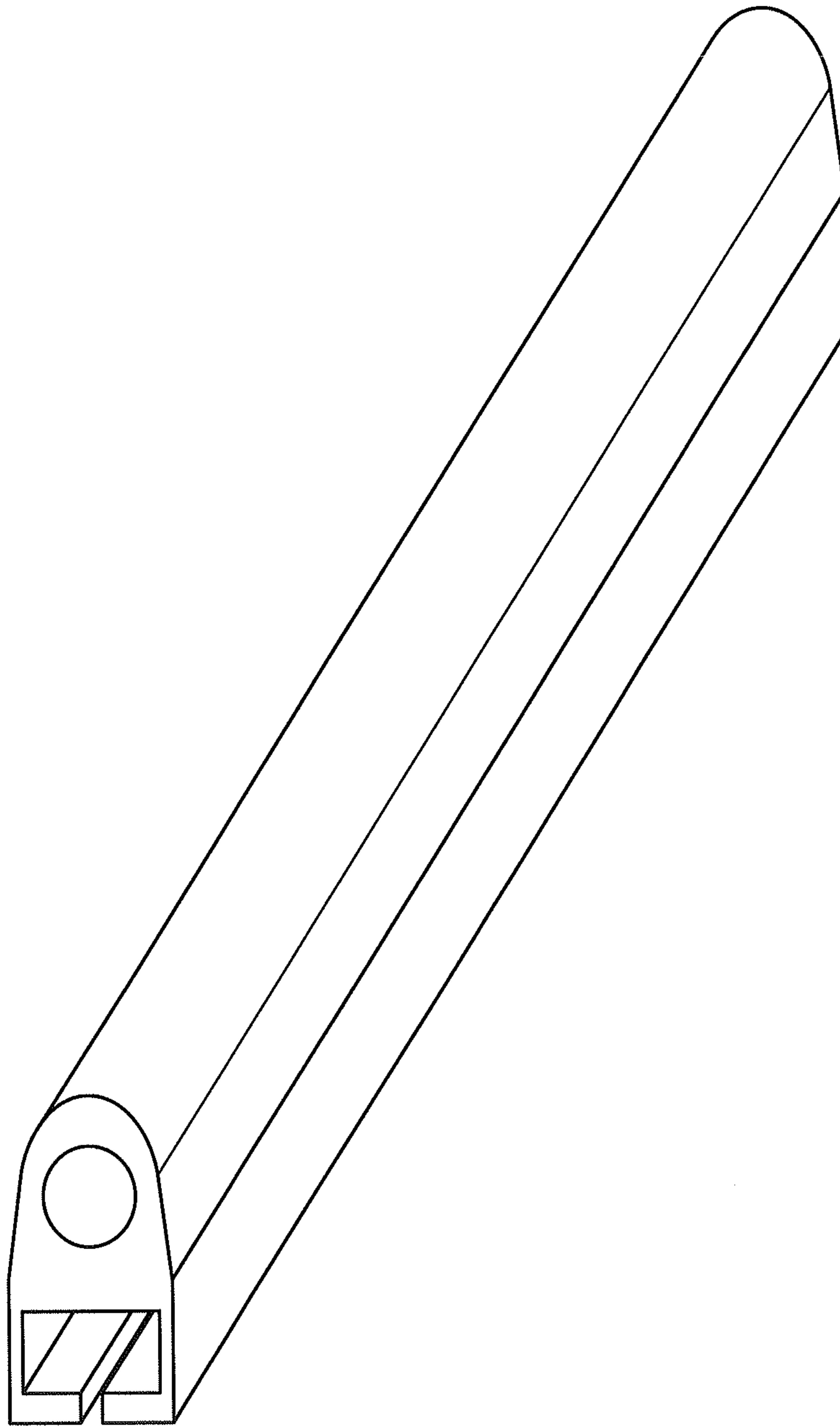


Figure 7