



US00D847403S

(12) **United States Design Patent**
Baker

(10) **Patent No.:** **US D847,403 S**

(45) **Date of Patent:** **** Apr. 30, 2019**

(54) **FOLDING ELONGATE LAMP**

(71) Applicant: **JOBAR INTERNATIONAL, INC.**,
Carson, CA (US)

(72) Inventor: **Tim A. Baker**, Torrance, CA (US)

(73) Assignee: **JOBAR INTERNATIONAL, INC.**,
Carson, CA (US)

(**) Term: **15 Years**

(21) Appl. No.: **29/627,455**

(22) Filed: **Nov. 27, 2017**

(51) **LOC (11) Cl.** **26-03**

(52) **U.S. Cl.**
USPC **D26/107**

(58) **Field of Classification Search**
USPC D26/1, 24, 93, 104, 106, 107, 109, 110,
D26/62
CPC F21S 6/00; F21S 6/043; F21S 8/08; F21V
21/00; F21V 21/02; F21W 2121/00;
F21W 2131/30

See application file for complete search history.

(56) **References Cited**

U.S. PATENT DOCUMENTS

D488,248 S *	4/2004	Toyoaki	D26/65
D563,583 S *	3/2008	Iai	D26/65
D654,199 S *	2/2012	Xie	D26/63
D667,980 S *	9/2012	Kim	D26/63
D690,044 S *	9/2013	Ng	D26/65
D729,964 S *	5/2015	Huh	D26/63
D744,154 S *	11/2015	Ng	D26/107

(Continued)

OTHER PUBLICATIONS

3ZLINK Task Lite with Desk Base, Item # 61703-SB, <https://www.ultimateoffice.com/3zlink-desk-base>, printed Mar. 22, 2017, 1 page.

(Continued)

Primary Examiner — Brian N. Vinson

(74) *Attorney, Agent, or Firm* — Lewis Roca Rothgerber
Christie LLP

(57) **CLAIM**

The ornamental design for folding elongate lamp, as shown
and described.

DESCRIPTION

FIG. 1 is a perspective view of a first embodiment of a
folding elongate lamp design.

FIG. 2 is a right side view of the first embodiment thereof;

FIG. 3 is a left side view of the first embodiment thereof;

FIG. 4 is a front view of the first embodiment thereof;

FIG. 5 is a rear view of the first embodiment thereof;

FIG. 6 is a top view of the first embodiment thereof;

FIG. 7 is a bottom view of the first embodiment thereof;

FIG. 8 is a perspective view of a second embodiment of a
folding elongate lamp design.

FIG. 9 is a right side view of the second embodiment
thereof;

FIG. 10 is a left side view of the second embodiment thereof;

FIG. 11 is a front view of the second embodiment thereof;

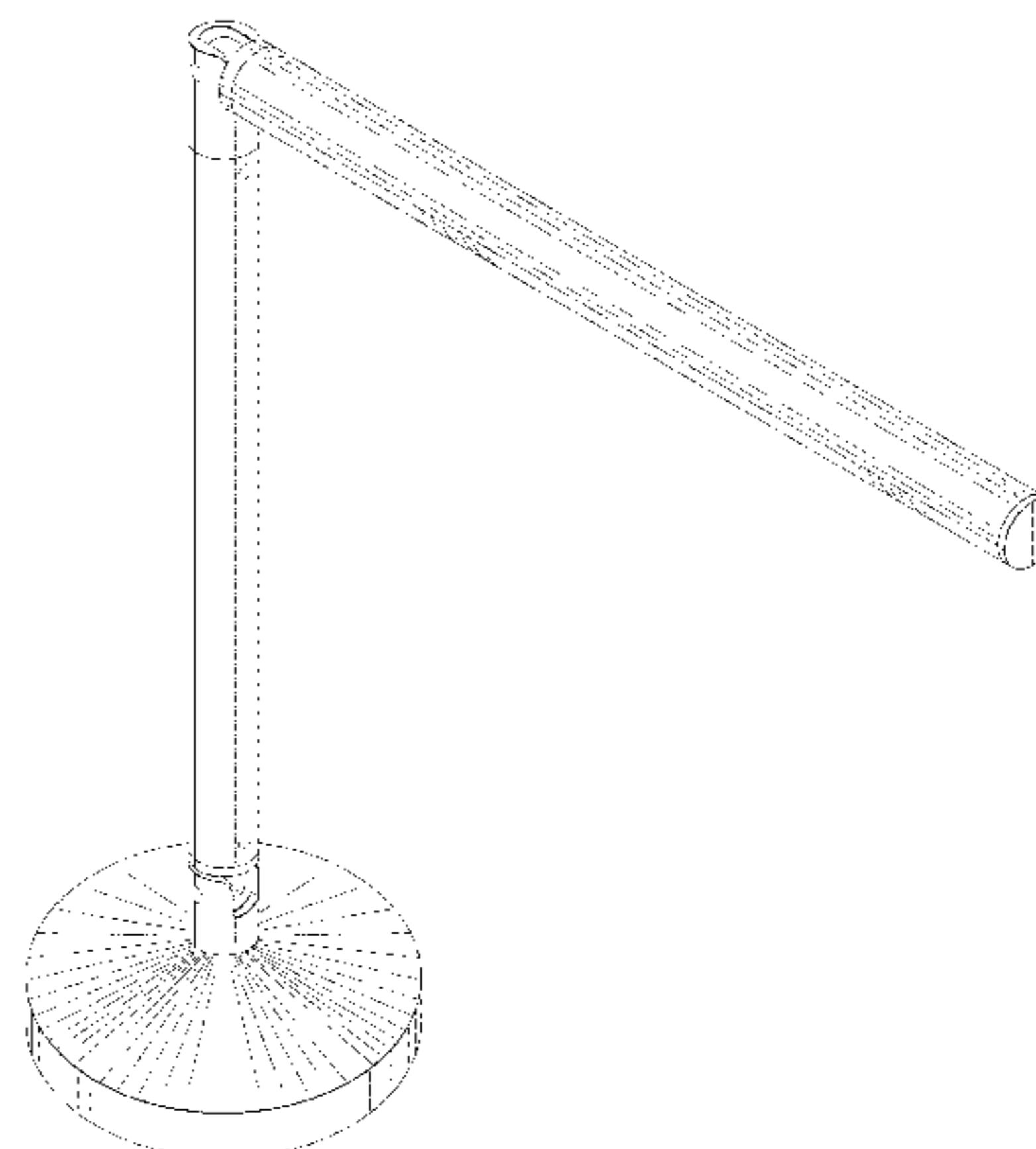
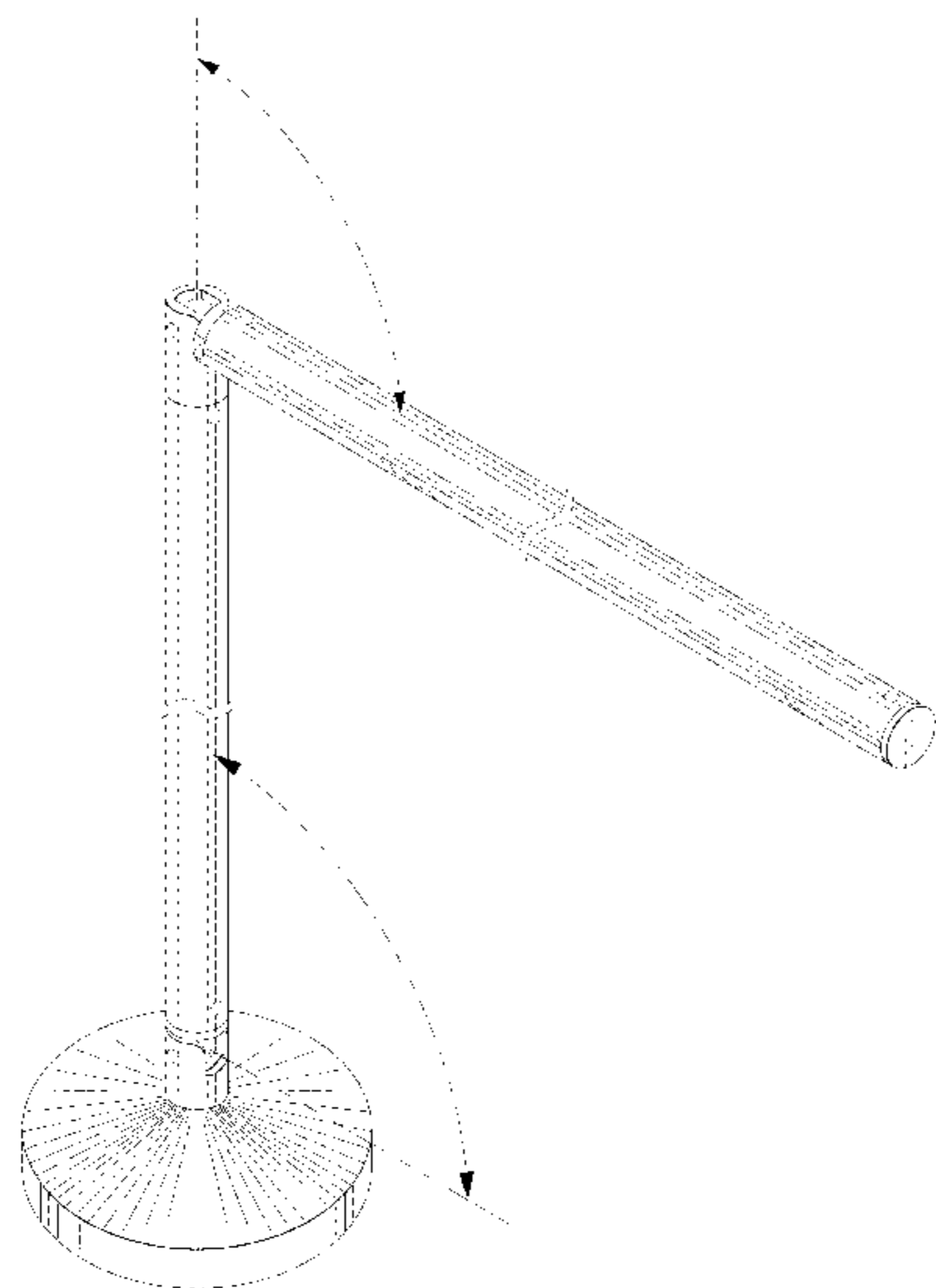
FIG. 12 is a rear view of the second embodiment thereof;

FIG. 13 is a top view of the second embodiment thereof;
and,

FIG. 14 is a bottom view of the second embodiment thereof.

The broken line disclosure in the views represents portions
of the lamp which form no part of the claimed design. The
parallel broken lines in both vertical and horizontal tubular
elements of the first embodiment represent unclaimed
boundaries between claimed and unclaimed portions of the
lamp. The area between the parallel broken lines forms no
part of the claimed design.

1 Claim, 10 Drawing Sheets



(56)

References Cited

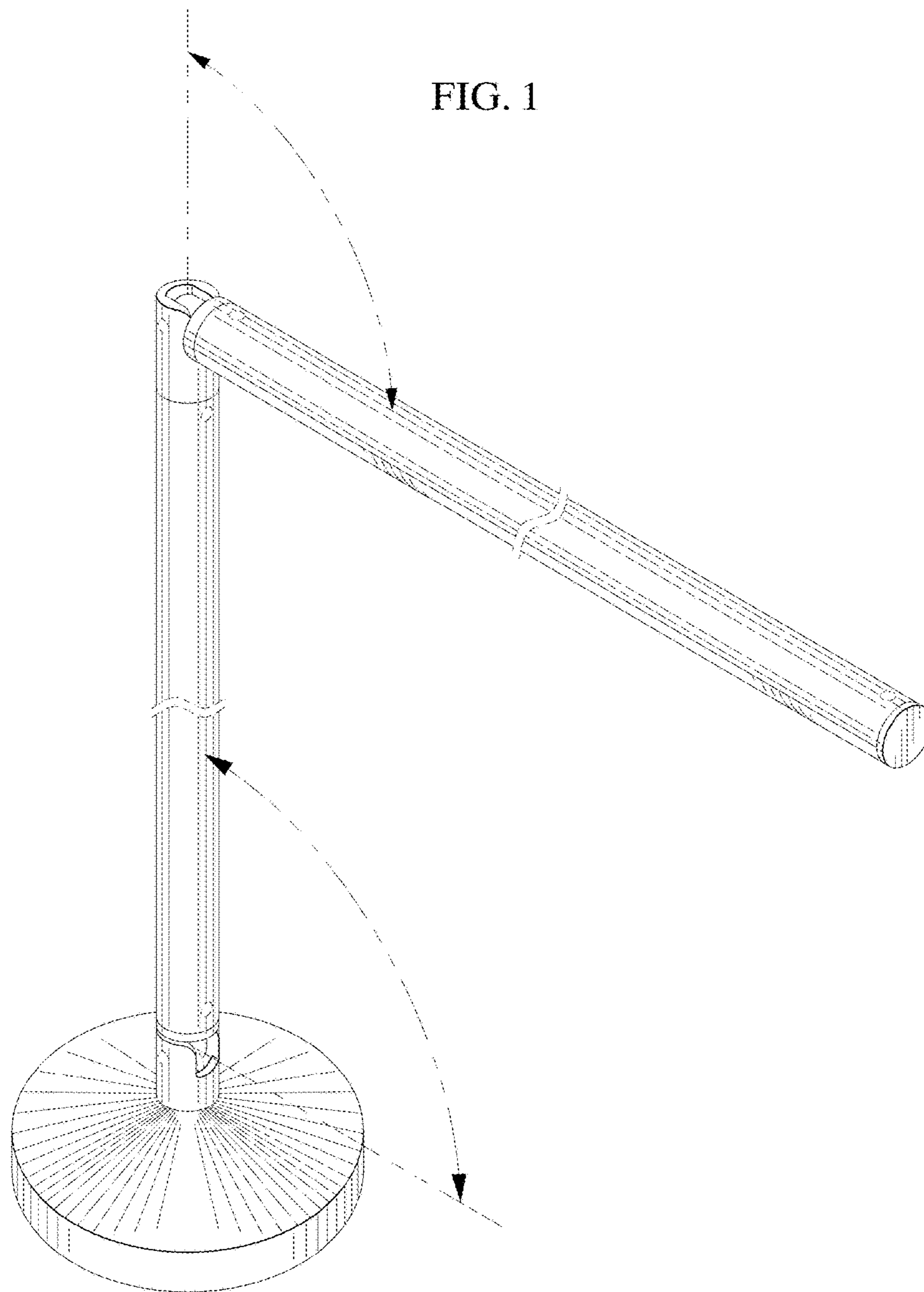
U.S. PATENT DOCUMENTS

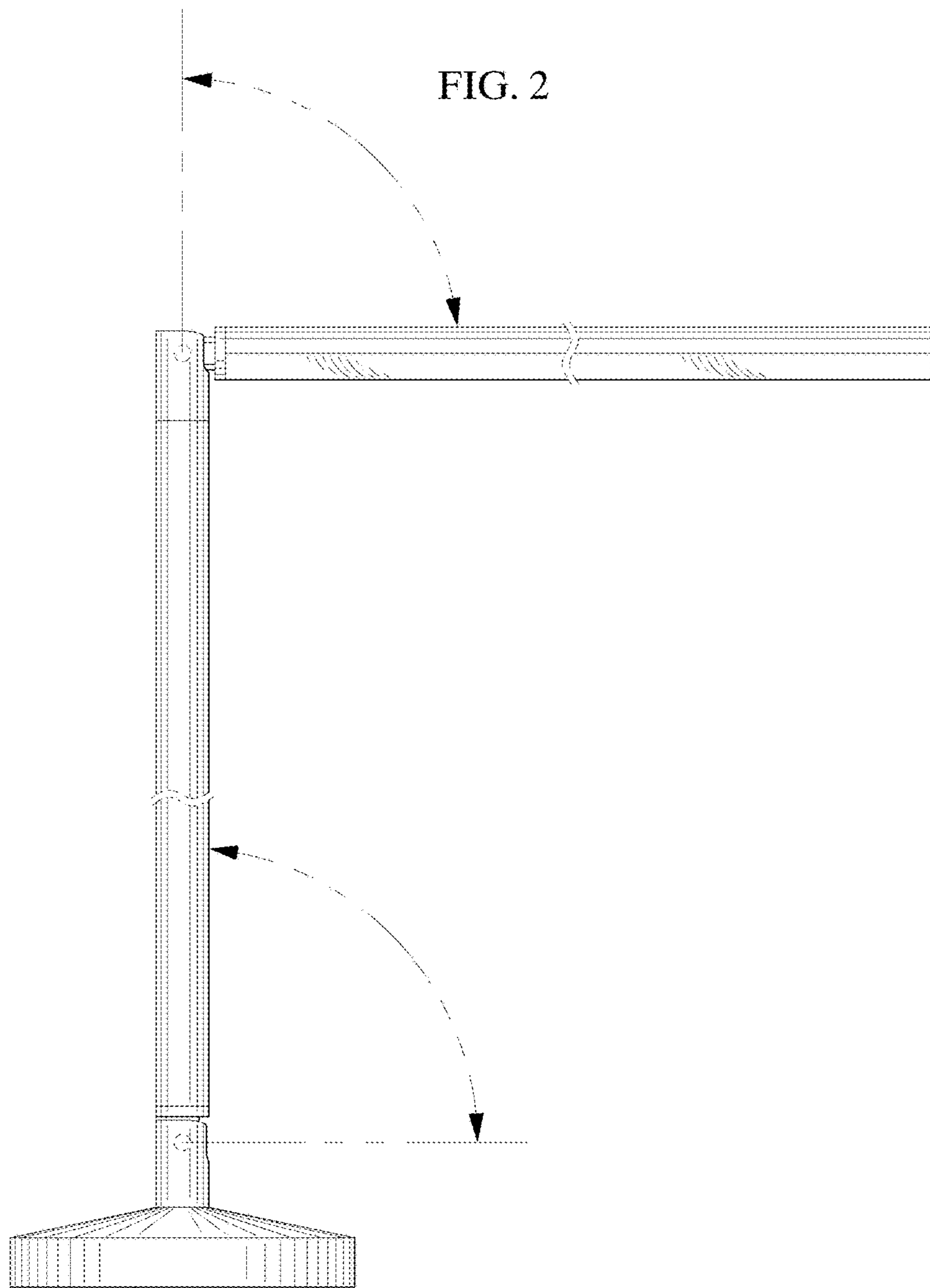
D768,908 S * 10/2016 Fisher D26/107
D775,399 S * 12/2016 Fioravanti D26/107
D822,879 S * 7/2018 Hodgson D26/108

OTHER PUBLICATIONS

3ZLINK Task Lite, Items # 61703-SB, 61703-NB, 61703-SM,
61703-DC, 61815, brochure page, printed Jul. 2016, 1 page.
Black Folding Strip LED Desk Lamp, Item # 61794, <https://www.ultimateoffice.com/Black-Folding-Strip-LED-Desk-Lamp>, printed Mar.
22, 2017, 1 page.

* cited by examiner





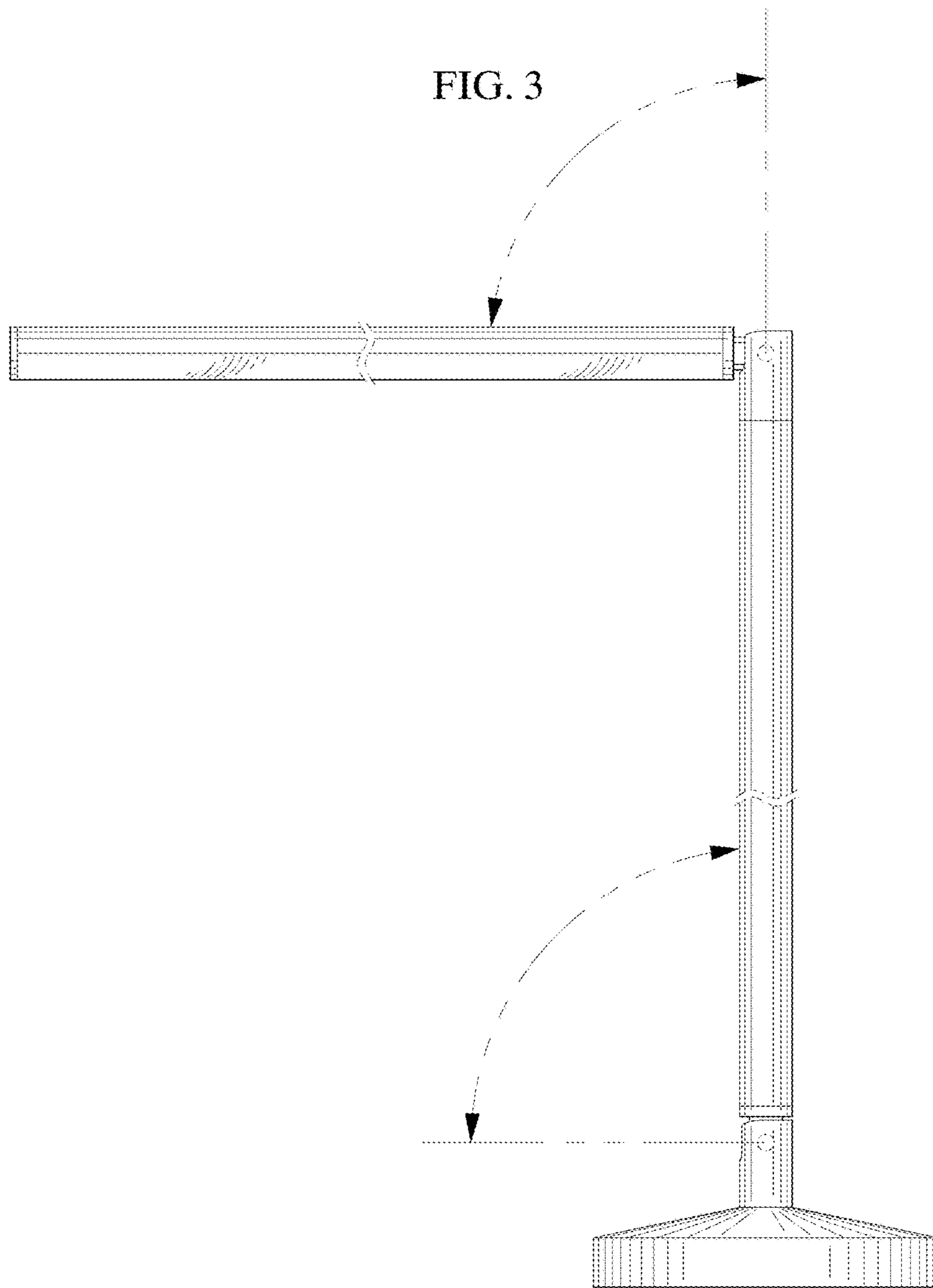


FIG. 4

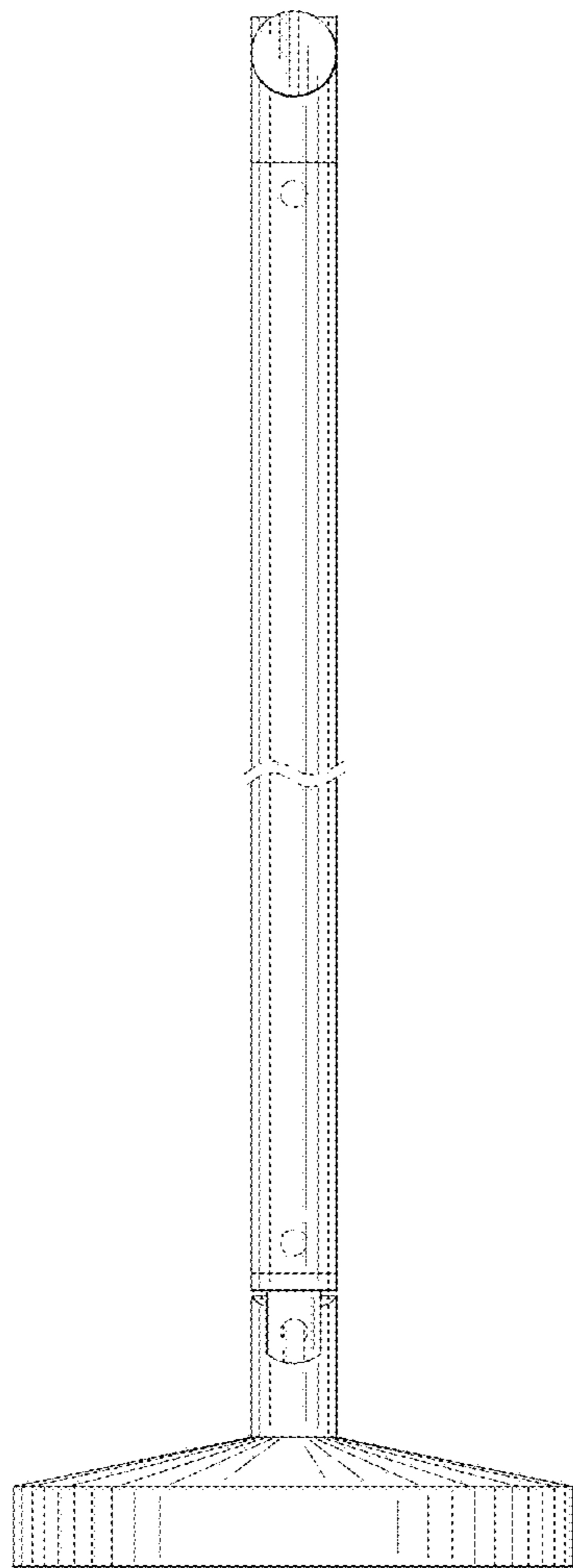


FIG. 5

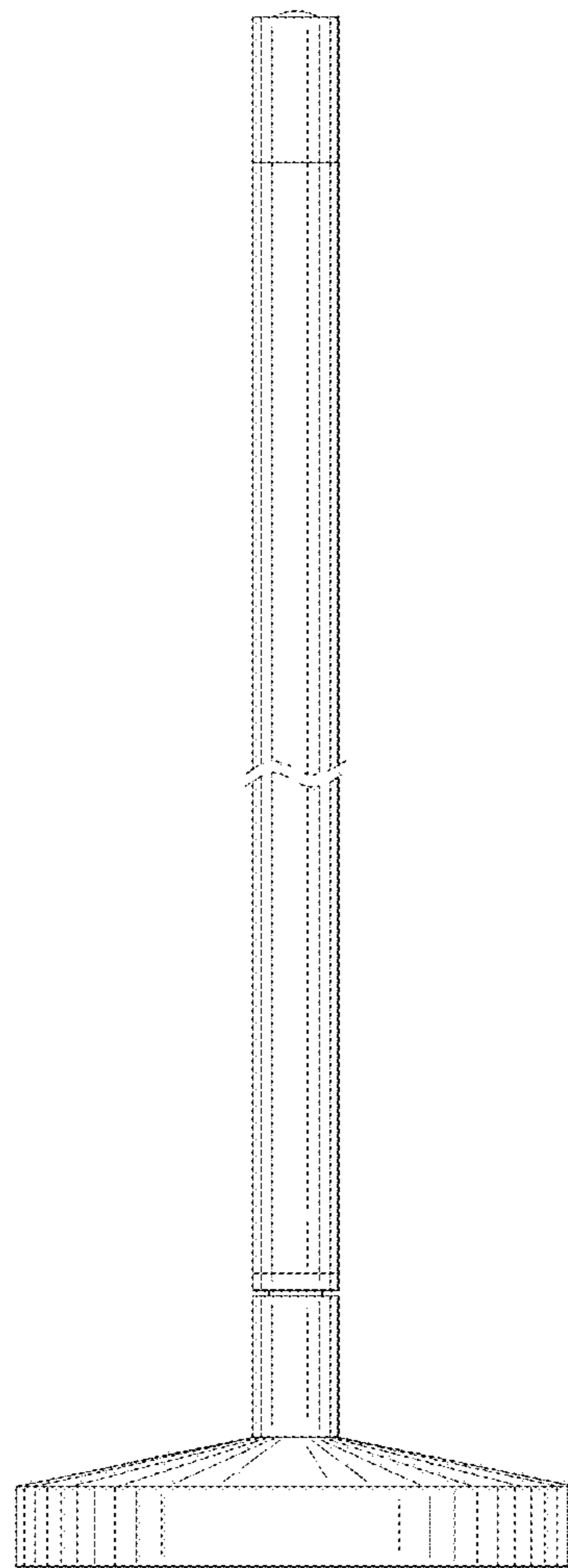


FIG. 6

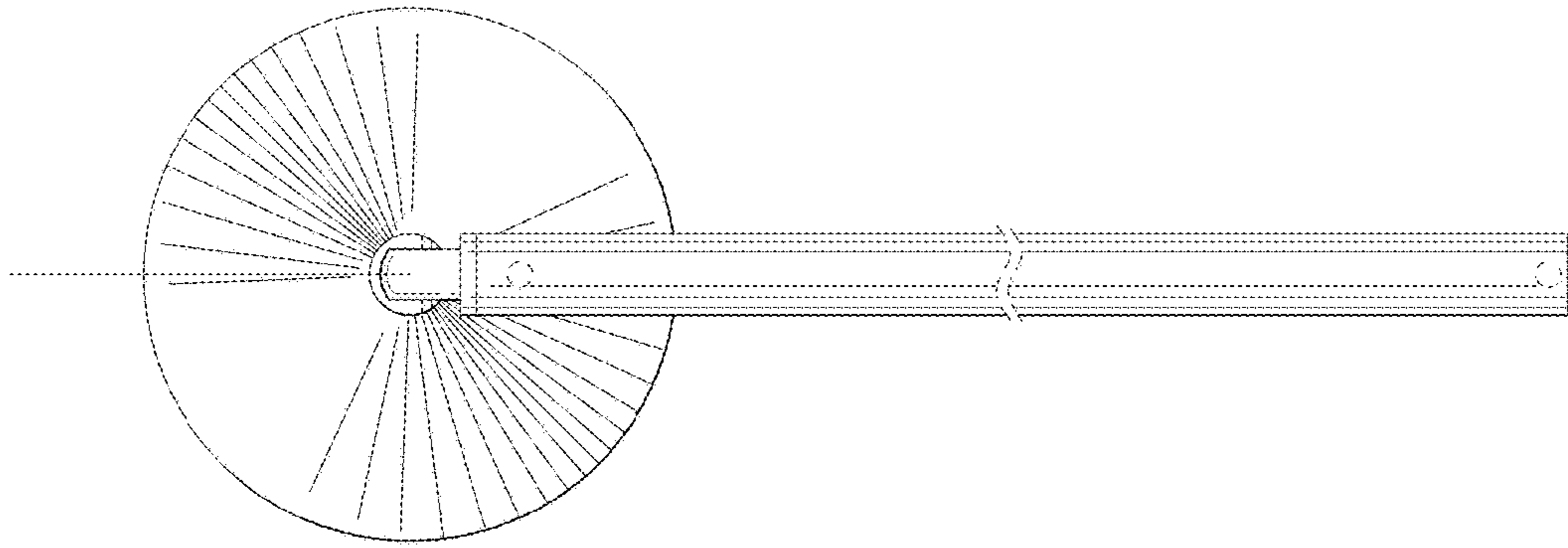


FIG. 7

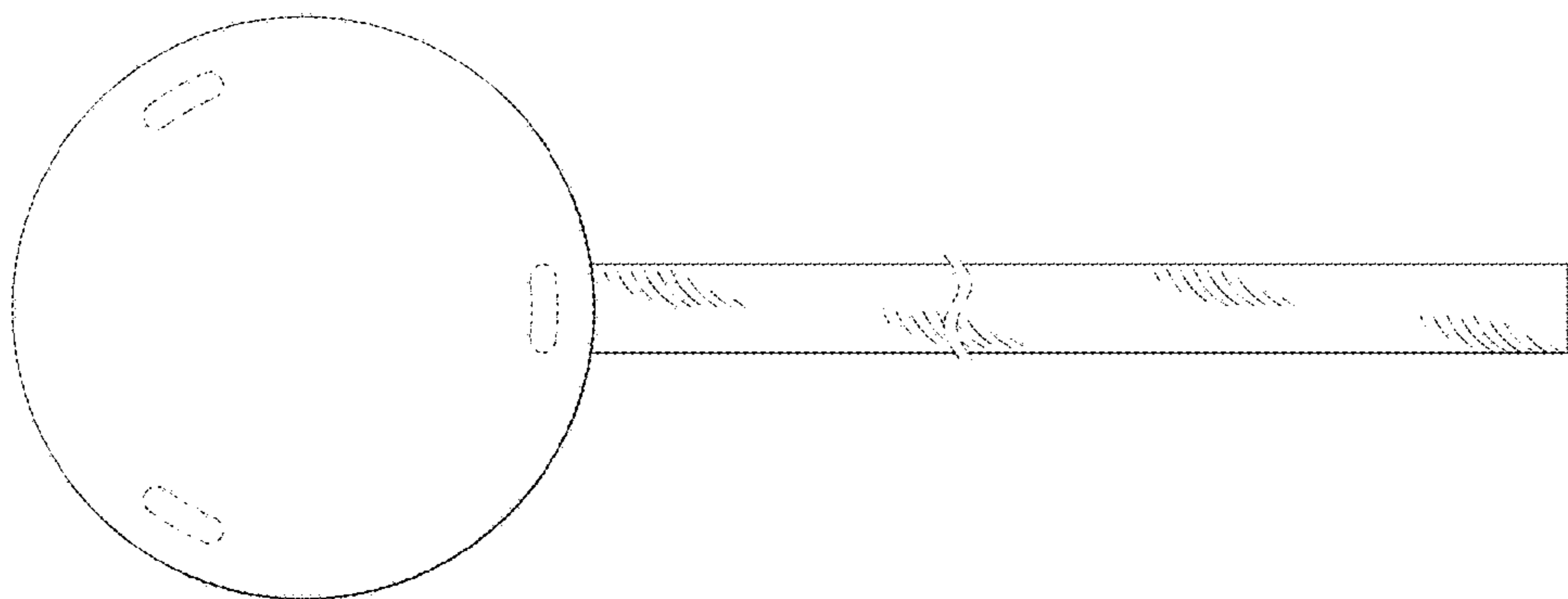


FIG. 8

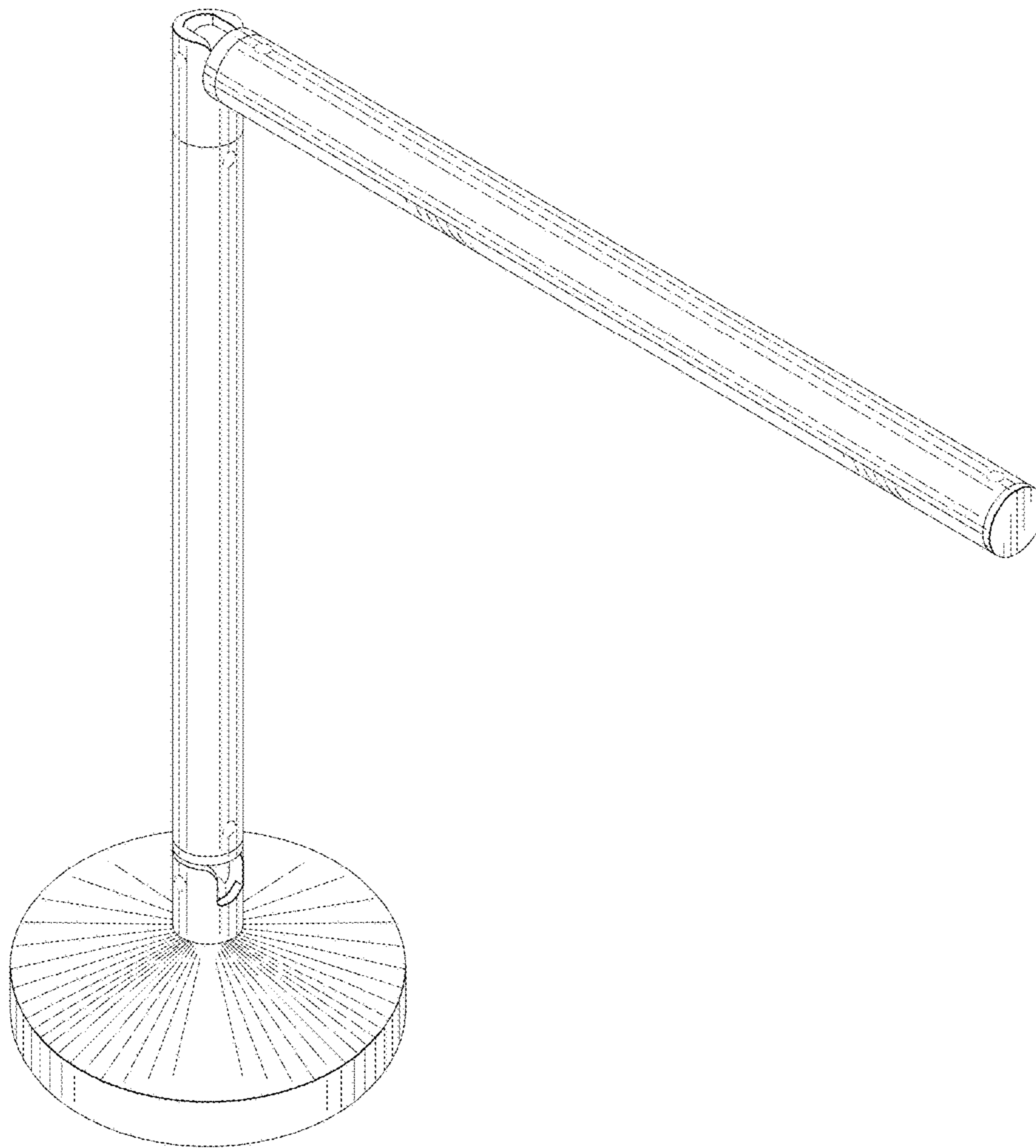


FIG. 9

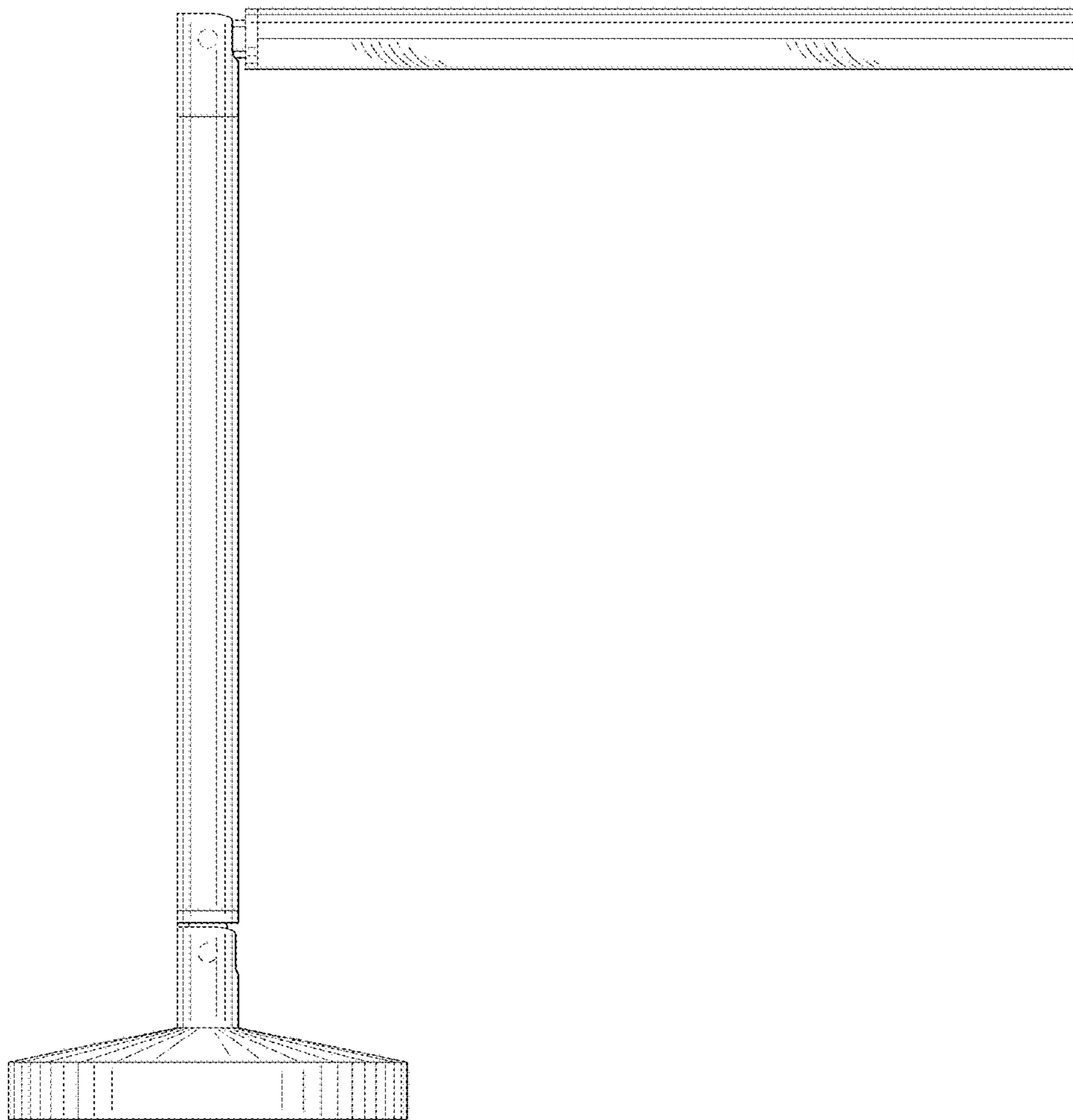


FIG. 10

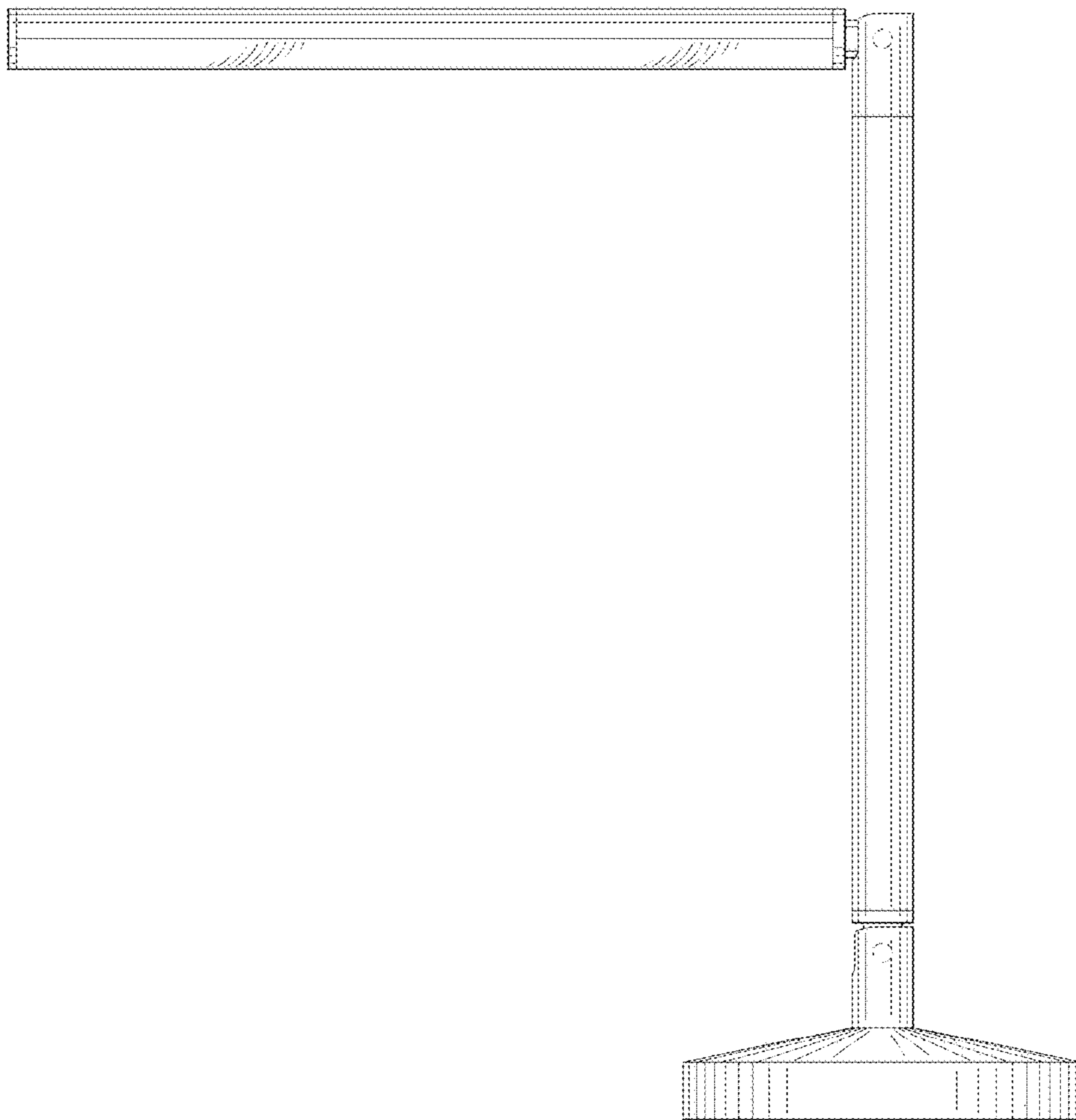


FIG. 11

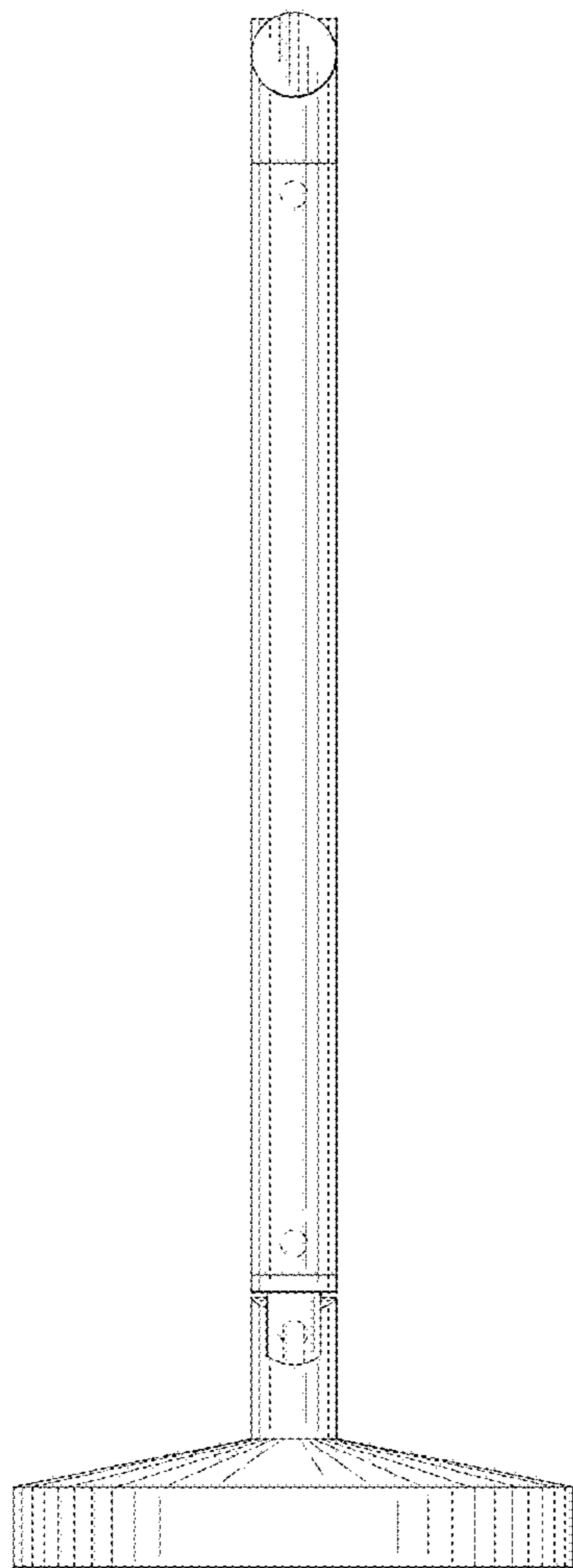


FIG. 12

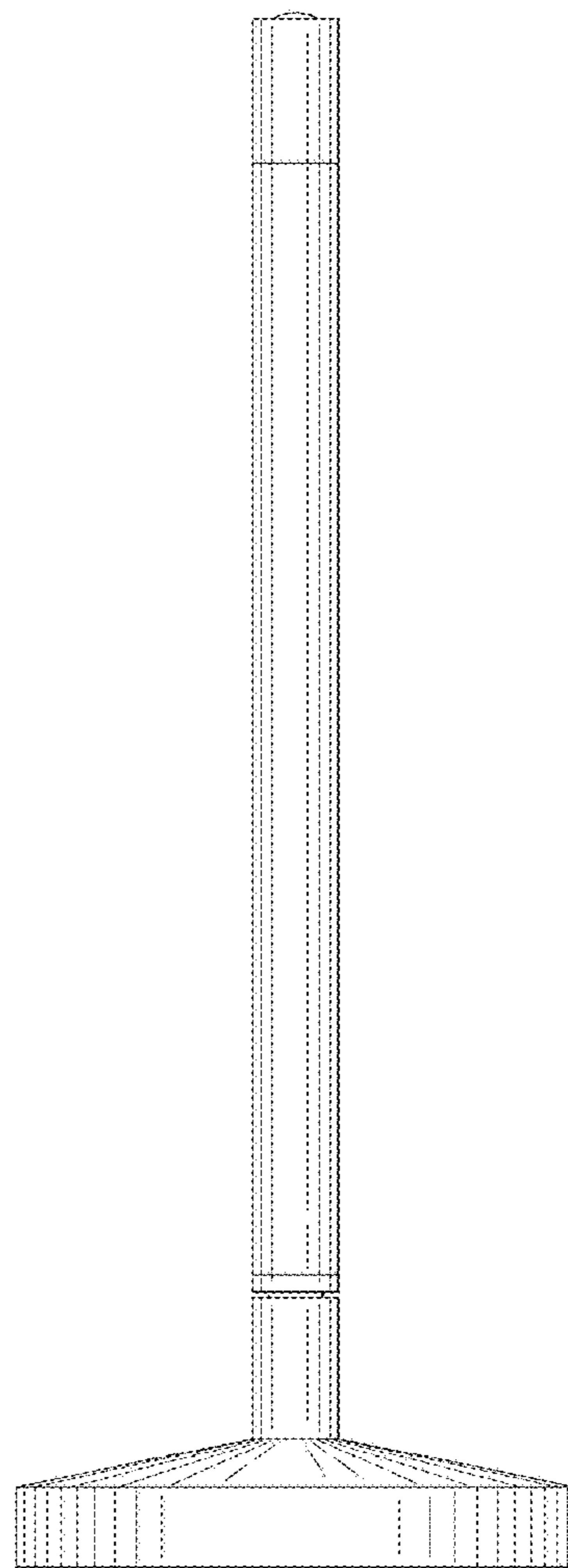


FIG. 13

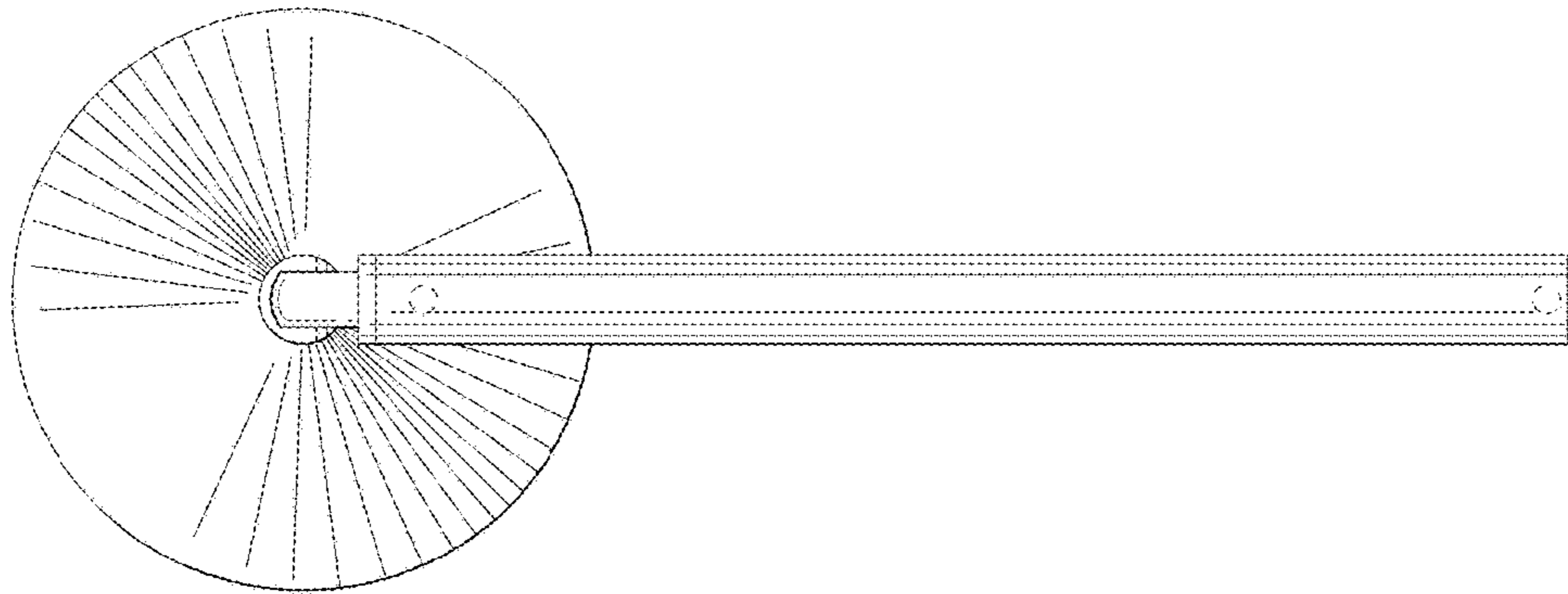


FIG. 14

