



US00D847402S

(12) **United States Design Patent**  
**Nimityongskul**

(10) **Patent No.:** **US D847,402 S**

(45) **Date of Patent:** **\*\* Apr. 30, 2019**

(54) **CYCLORAMA LIGHT**

D784,598 S \* 4/2017 Schulze ..... D26/93  
D785,219 S \* 4/2017 Swai ..... D26/63  
D800,952 S \* 10/2017 Shundong ..... D26/93

(71) Applicant: **Electronic Theatre Controls, Inc.**,  
Middleton, WI (US)

\* cited by examiner

(72) Inventor: **Brian Sunya Nimityongskul**, Madison,  
WI (US)

*Primary Examiner* — Brian N. Vinson

(73) Assignee: **Electronic Theatre Controls, Inc.**,  
Middleton, WI (US)

(74) *Attorney, Agent, or Firm* — Michael Best &  
Friedrich LLP

(\*\*) Term: **15 Years**

(57) **CLAIM**

The ornamental design for a cyclorama light, as shown and described.

(21) Appl. No.: **29/606,205**

**DESCRIPTION**

(22) Filed: **Jun. 2, 2017**

(51) **LOC (11) Cl.** ..... **26-03**

(52) **U.S. Cl.**  
USPC ..... **D26/106**

(58) **Field of Classification Search**  
USPC ..... D26/1, 24, 61, 63, 65, 85, 102, 106, 110  
CPC ..... F21V 21/14; F21V 15/01; F21V 14/02;  
F21V 21/30; F21V 21/00; F21V 14/00;  
F21S 8/00; F21S 8/003; F21S 8/043;  
F21Y 2105/001  
See application file for complete search history.

FIG. 1 is a perspective view of a cyclorama light embodying the present invention.

FIG. 2 is a front view of the cyclorama light of FIG. 1.

FIG. 3 is a rear view of the cyclorama light of FIG. 1.

FIG. 4 is a right side view of a cyclorama light of FIG. 1.

FIG. 5 is a left side view of the cyclorama light of FIG. 1; and,

FIG. 6 is a top view of the cyclorama light of FIG. 1.

The elements shown in broken lines are included for the purpose of illustrating environment and form no part of the claimed design.

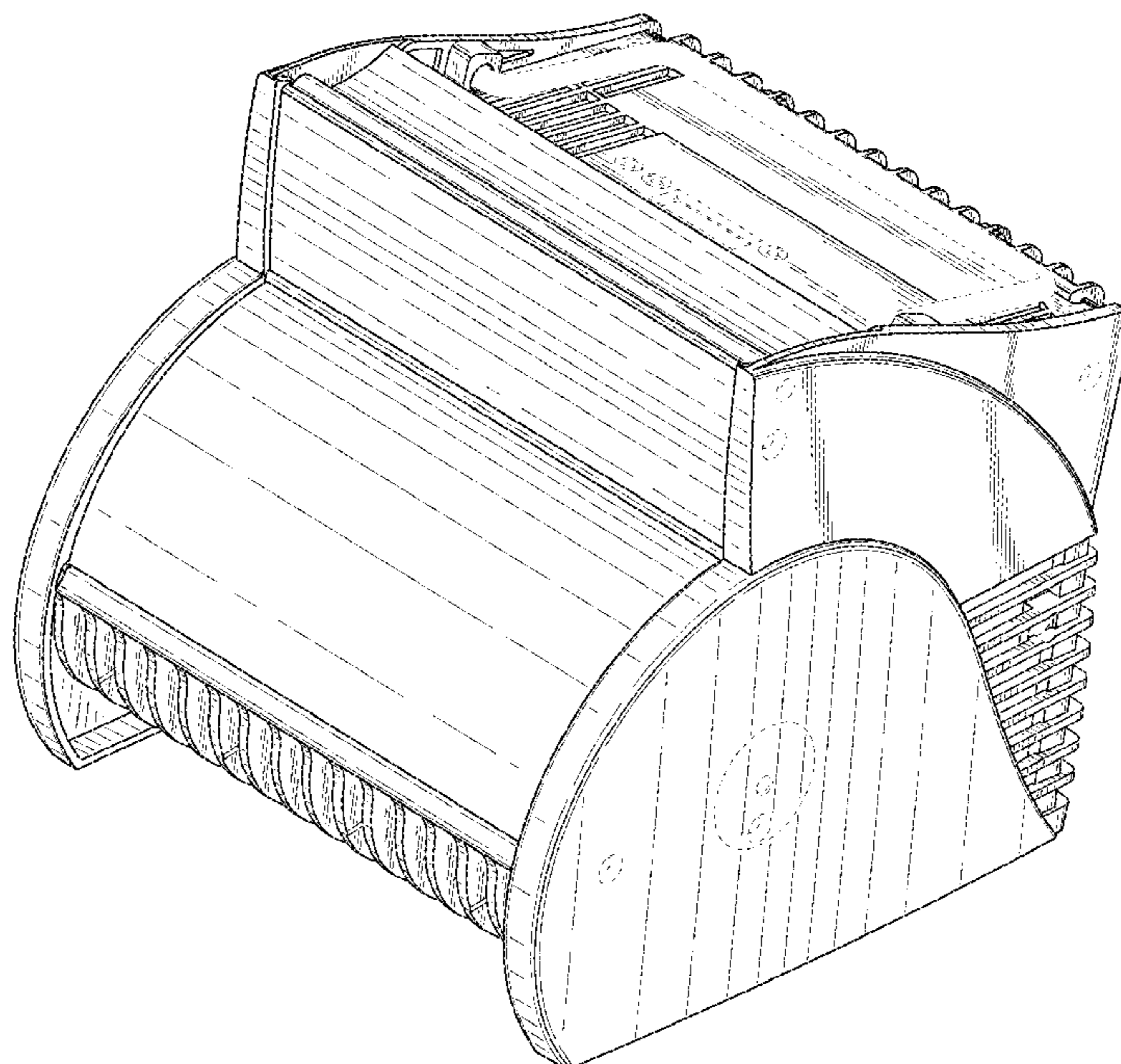
The bottom view of the design is not a matter of ornamental concern because the bottom view is obstructed by the surface upon which the light is positioned. Accordingly, this view has been omitted.

(56) **References Cited**

**U.S. PATENT DOCUMENTS**

D474,301 S \* 5/2003 Seal ..... D26/93  
D736,985 S \* 8/2015 Messisaen ..... D26/106

**1 Claim, 6 Drawing Sheets**



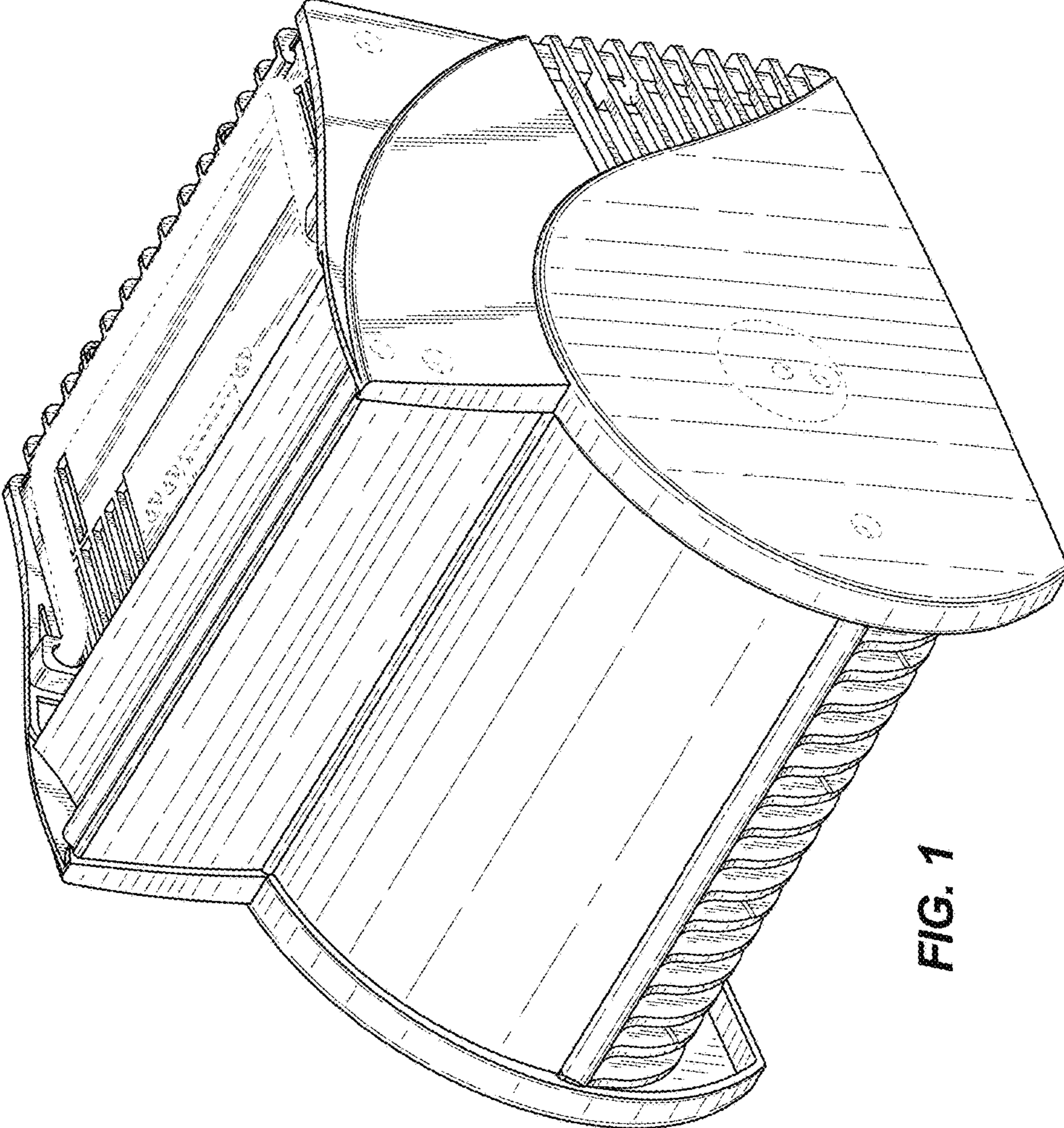
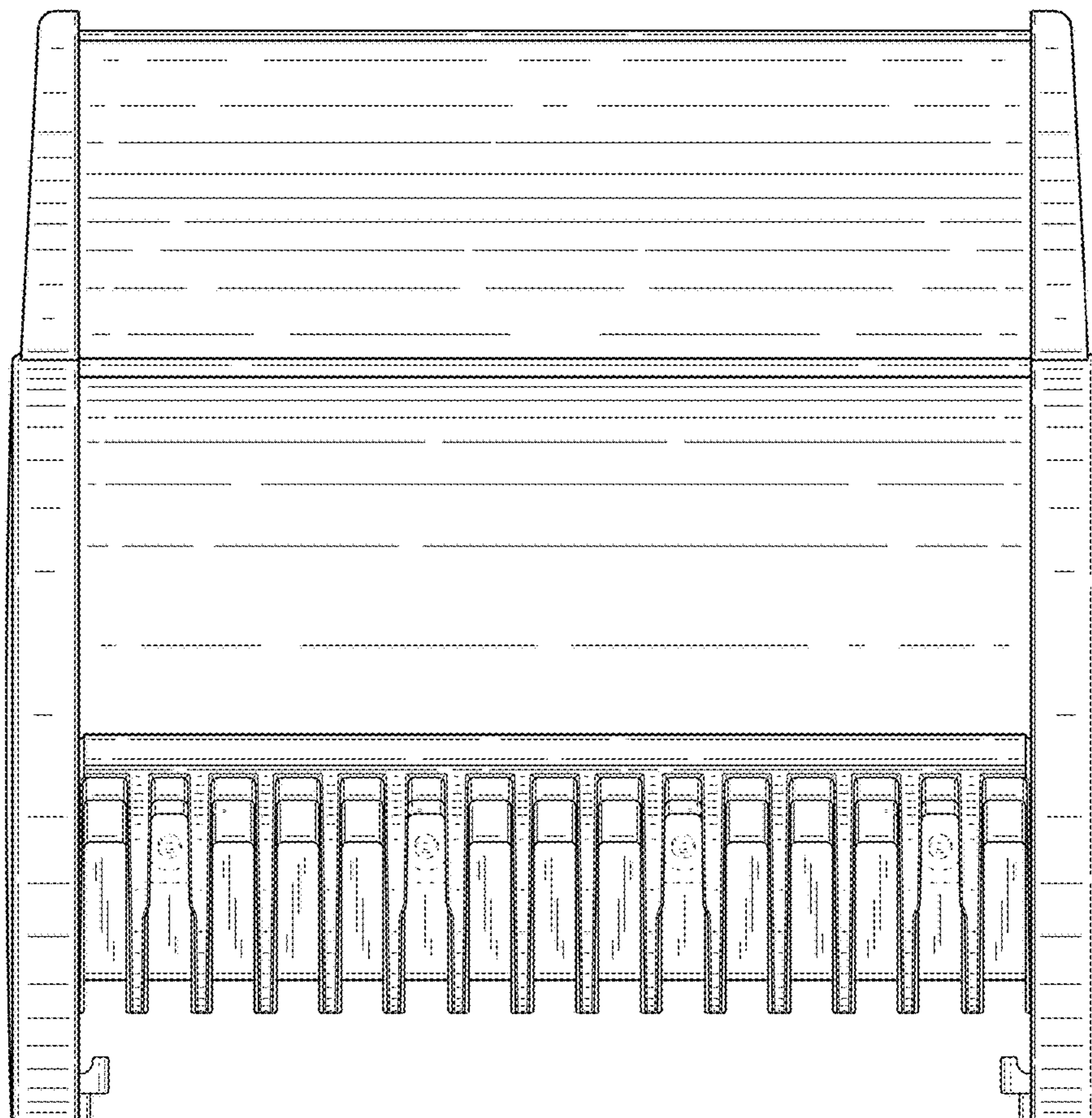
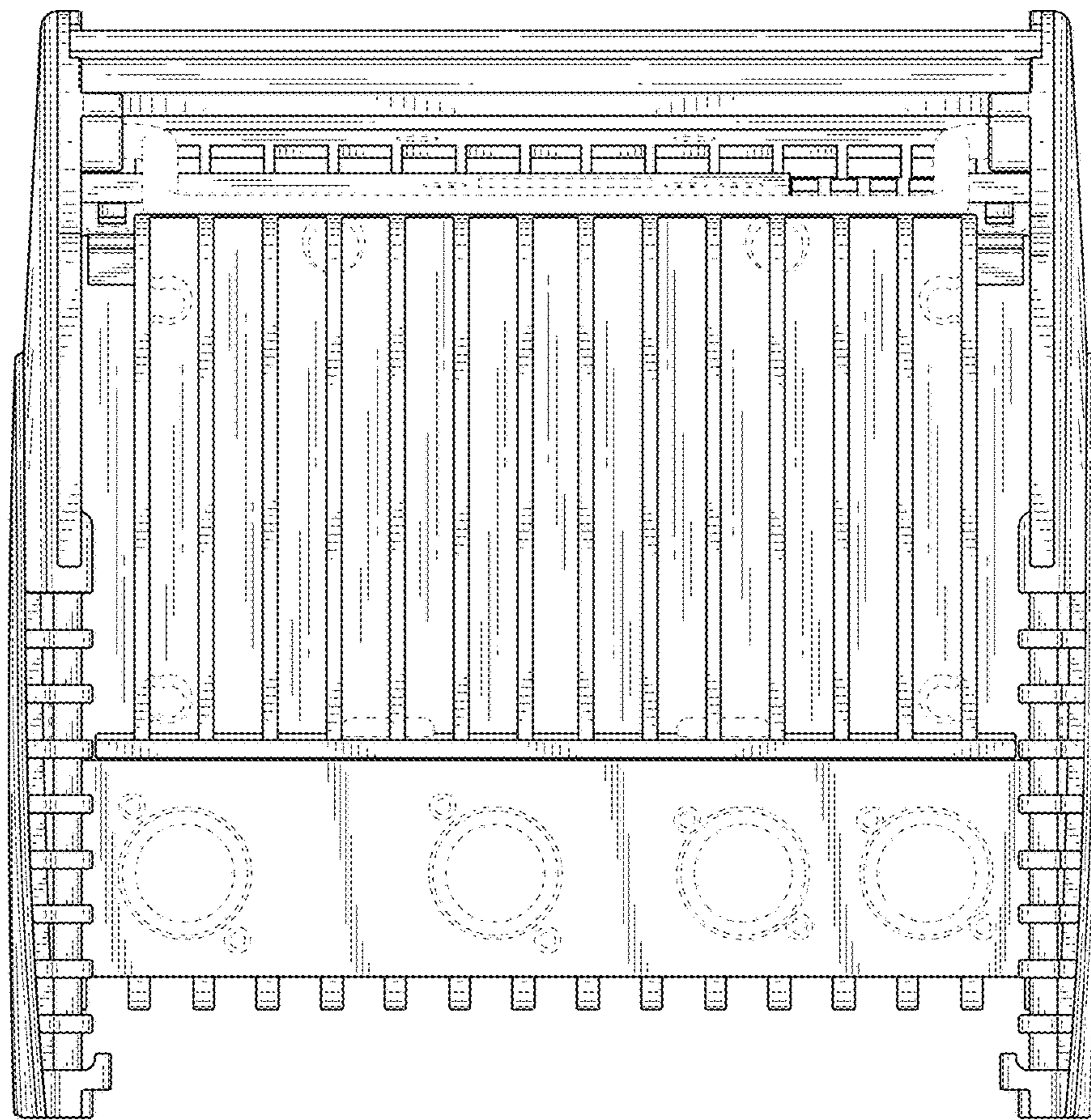


FIG. 1



**FIG. 2**



**FIG. 3**

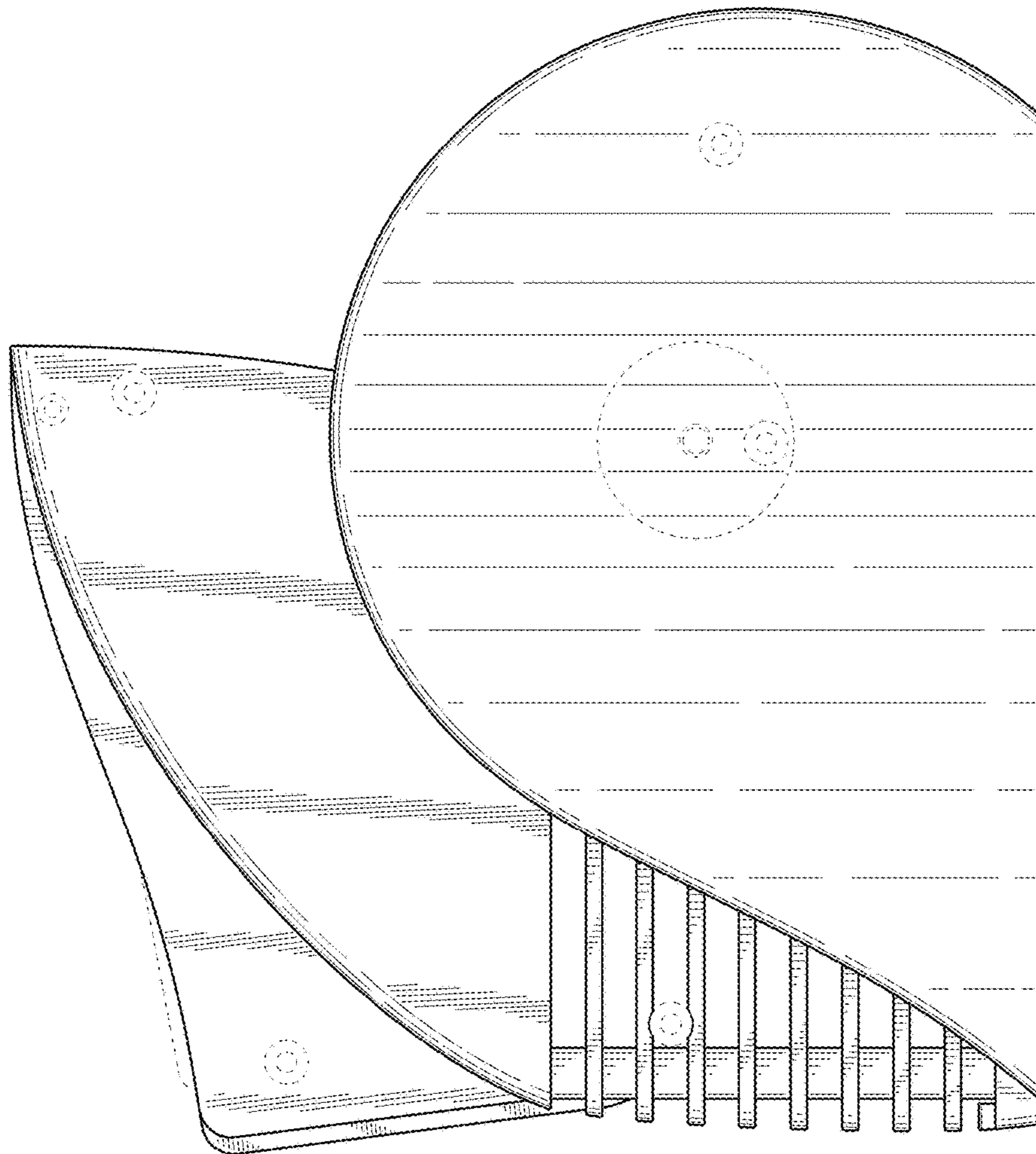


FIG. 4

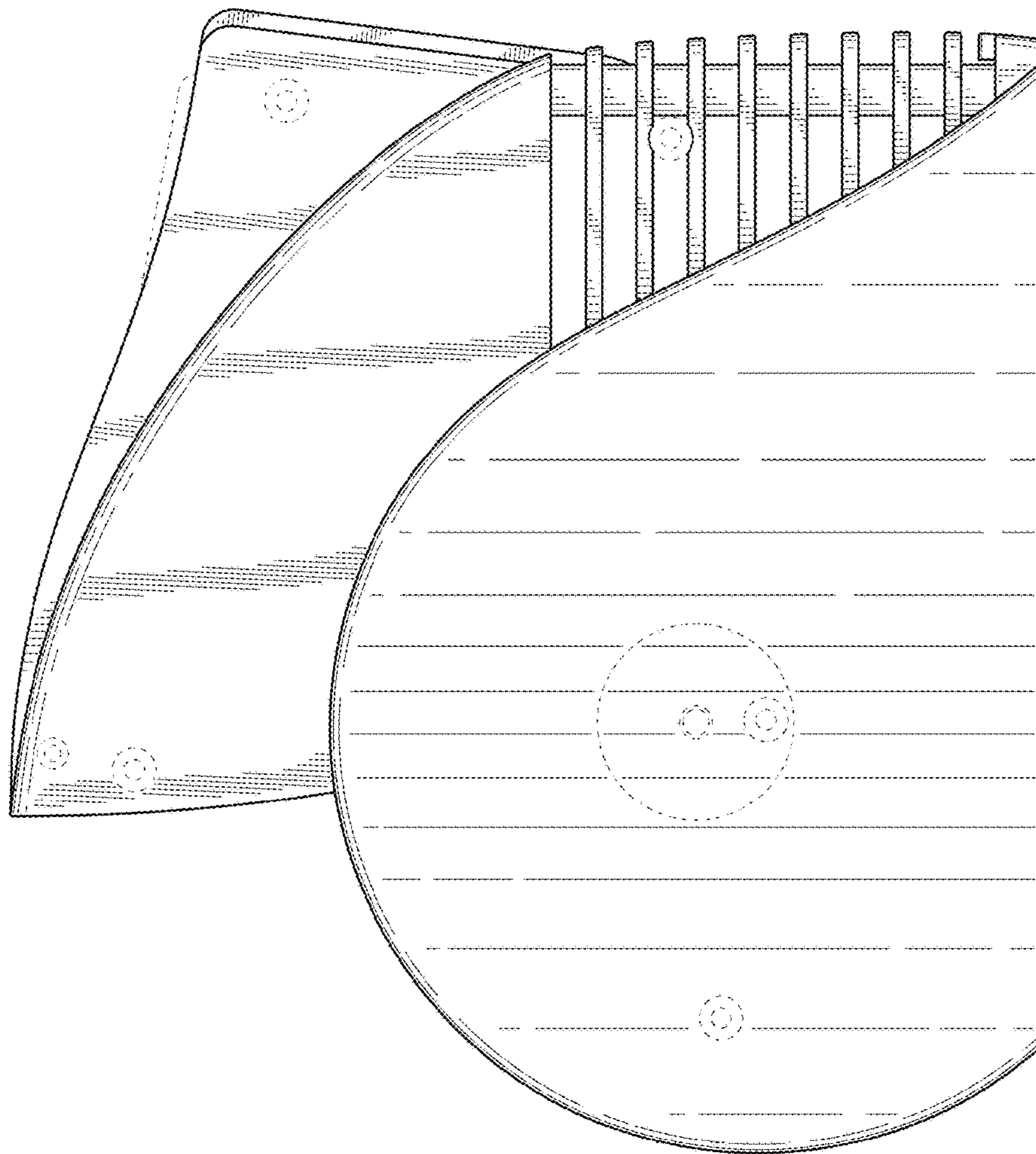


FIG. 5

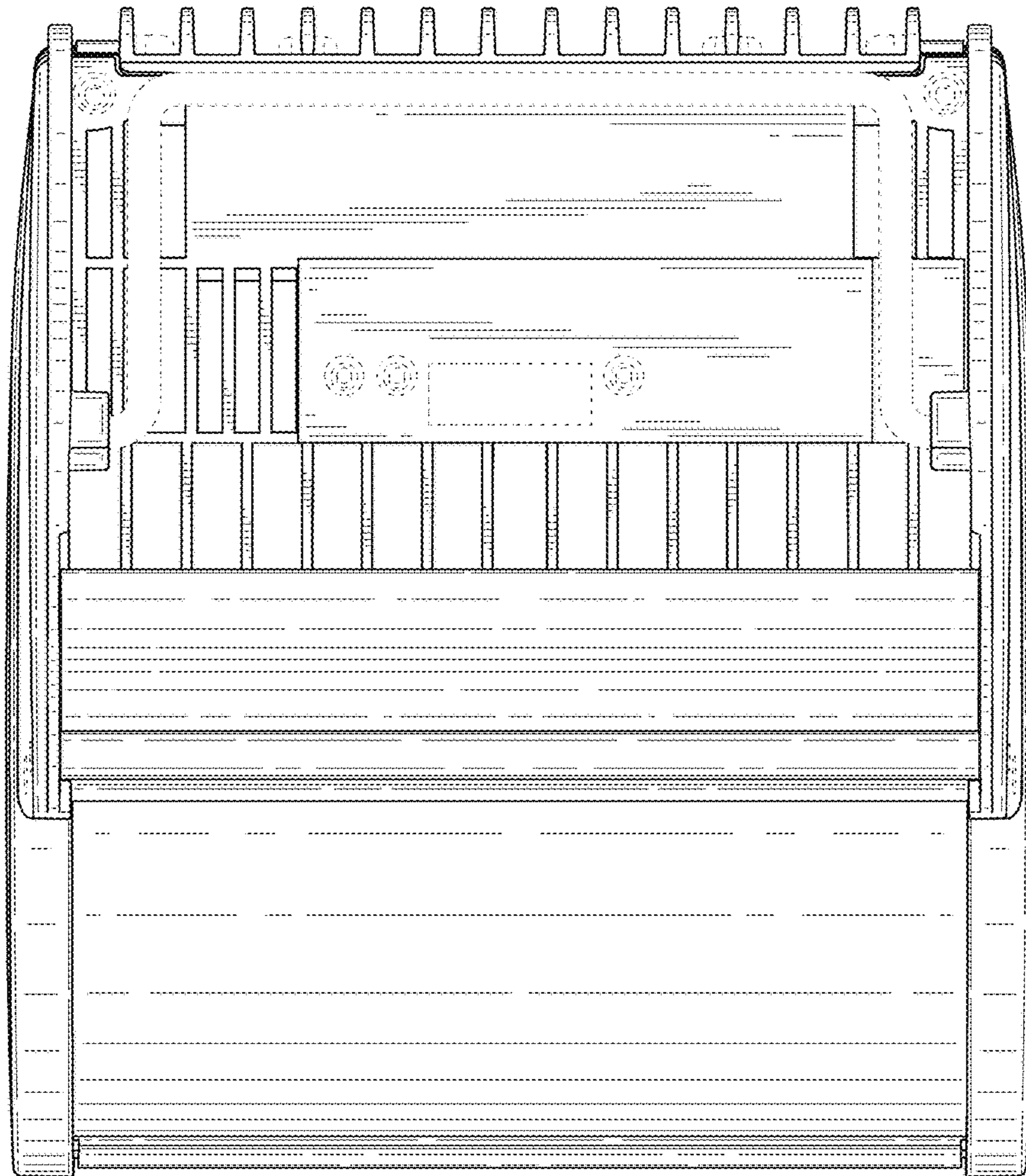


FIG. 6