



US00D847400S

(12) **United States Design Patent**
Arslan et al.

(10) **Patent No.:** **US D847,400 S**
(45) **Date of Patent:** **** Apr. 30, 2019**

(54) **LIGHTING FIXTURE**

(71) Applicant: **TERZANI S.r.l.**, Scandicci (FI) (IT)

(72) Inventors: **Edoardo Carlo Arslan**, Miami, FL (US); **Nicolas Terzani**, Miramar, FL (US)

(73) Assignee: **TERZANI S.R.L.**, Scandicci (FI) (IT)

(**) Term: **15 Years**

(21) Appl. No.: **29/640,408**

(22) Filed: **Mar. 14, 2018**

(30) **Foreign Application Priority Data**

Nov. 16, 2017 (EM) 004509511-0003
Nov. 16, 2017 (EM) 004509511-0004

(51) **LOC (11) Cl.** **26-03**

(52) **U.S. Cl.**
USPC **D26/88; D26/90**

(58) **Field of Classification Search**
USPC D26/81-92, 118
CPC F21S 8/06; F21S 8/061; F21S 8/063; F21S 8/065; F21V 5/06
See application file for complete search history.

(56) **References Cited**

U.S. PATENT DOCUMENTS

D161,830 S * 2/1951 Grossman D26/128
3,025,379 A * 3/1962 Ford F21V 33/00
219/220
D322,142 S * 12/1991 Gisnondi D26/88
D346,459 S * 4/1994 King D26/72
D667,986 S * 9/2012 Decq D26/89
D681,256 S * 4/2013 Chilton D26/88
D709,637 S * 7/2014 Terzani D26/83
D786,482 S * 5/2017 Dixon D26/88
D791,389 S * 7/2017 Sonneman D26/90

D792,005 S * 7/2017 Sonneman D26/87
D797,981 S * 9/2017 Sonneman D26/86
D798,486 S * 9/2017 Thompson D26/135
D798,487 S * 9/2017 Thompson D26/135
D805,676 S * 12/2017 Piano D26/88
2012/0257391 A1* 10/2012 Sigel F21V 5/06
362/249.16
2015/0285451 A1* 10/2015 Luo F21S 8/061
362/96
2015/0330600 A1* 11/2015 Albanese F21S 8/033
362/297
2017/0205052 A1* 7/2017 Mastenbroek F21S 8/061

OTHER PUBLICATIONS

Mizu Pendant by Nicolas Terzani at YLighting.com as early as 2012. (Year: 2012).*

* cited by examiner

Primary Examiner — Clare E Heflin

(74) *Attorney, Agent, or Firm* — Lucas & Mercanti, LLP

(57) **CLAIM**

The ornamental design for a lighting fixture, as shown and described.

DESCRIPTION

FIG. 1 is a top, front, left side perspective view of the design; FIG. 2 is a top, rear, perspective view thereof; FIG. 3 is a top view thereof; FIG. 4 is a bottom view thereof; FIG. 5 is a left side elevation view thereof; FIG. 6 is a right side elevation view thereof; FIG. 7 is a front view thereof; and, FIG. 8 is a rear view thereof.

The broken lines on top of the lighting fixture are included for environmental purposes only and form no part of the claimed design.

1 Claim, 4 Drawing Sheets

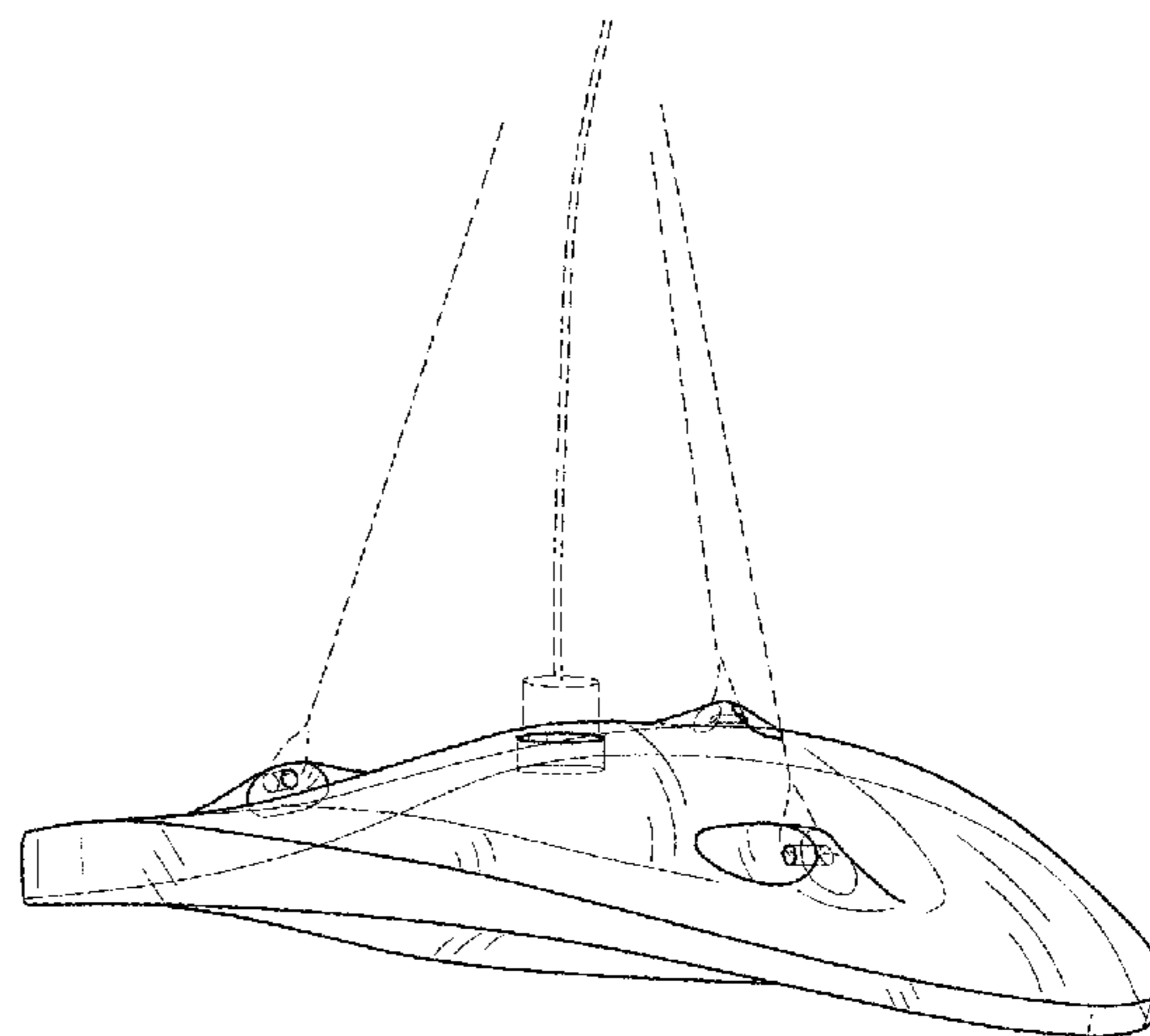
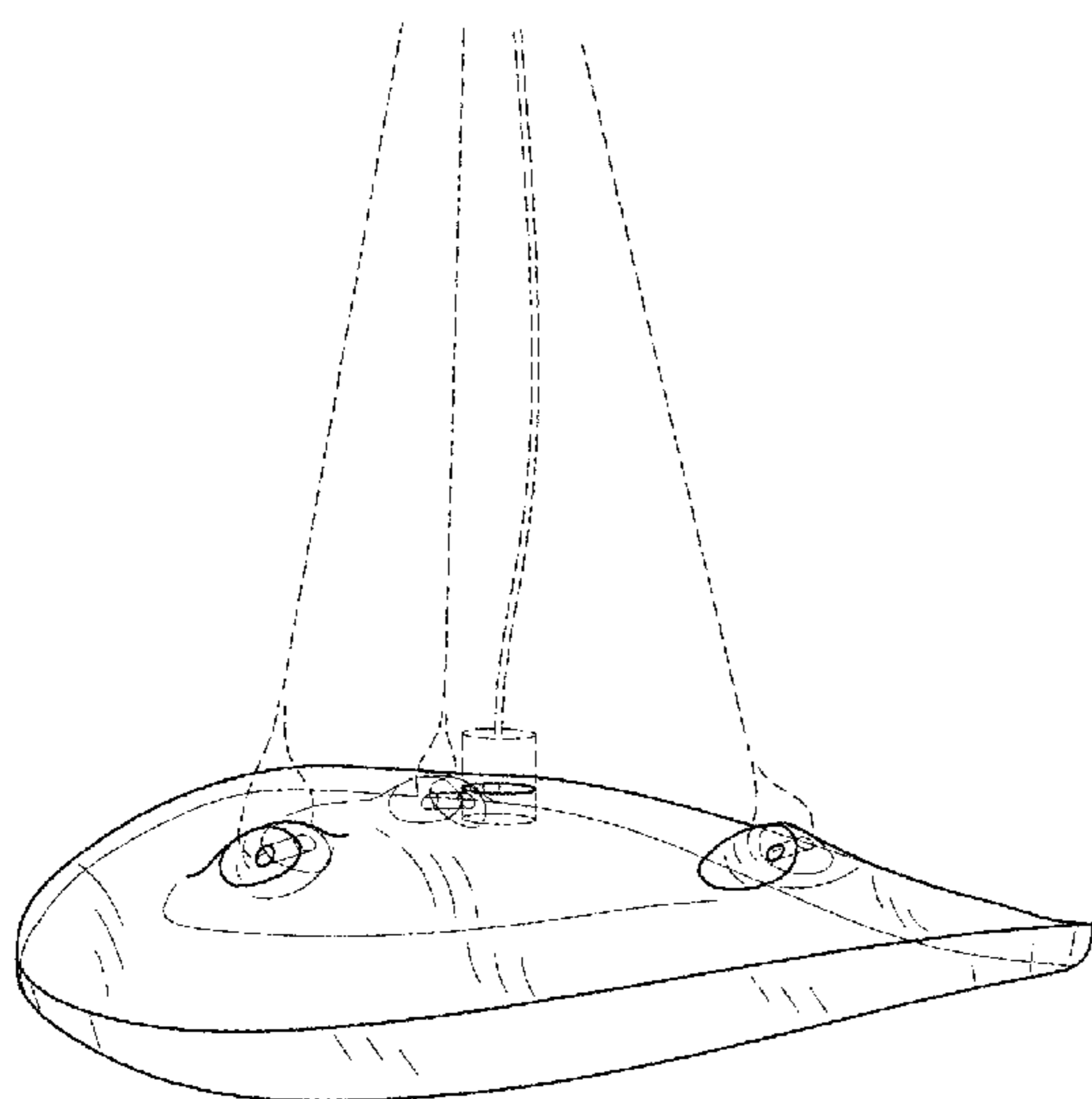


FIG. 1

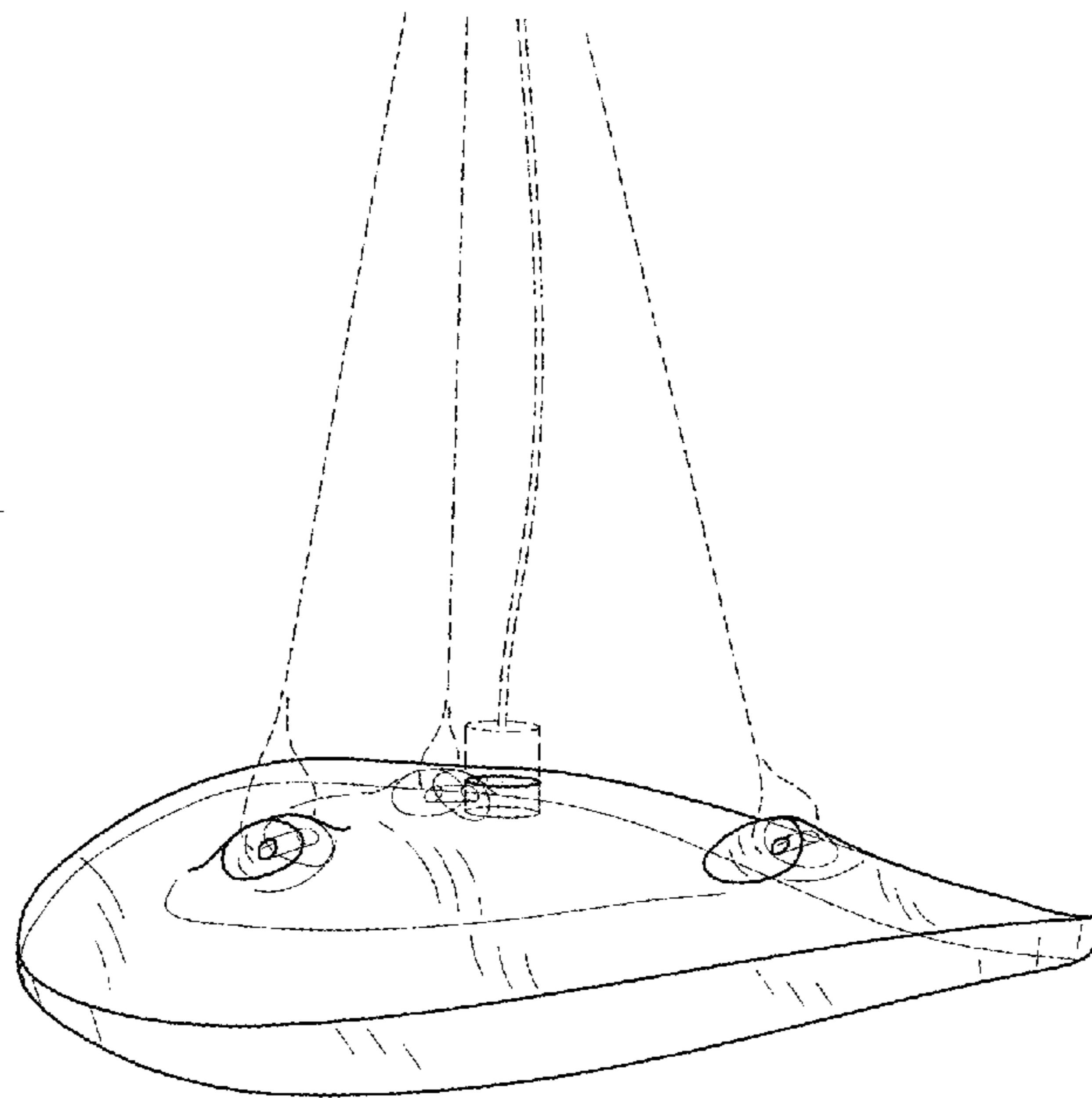


FIG. 2

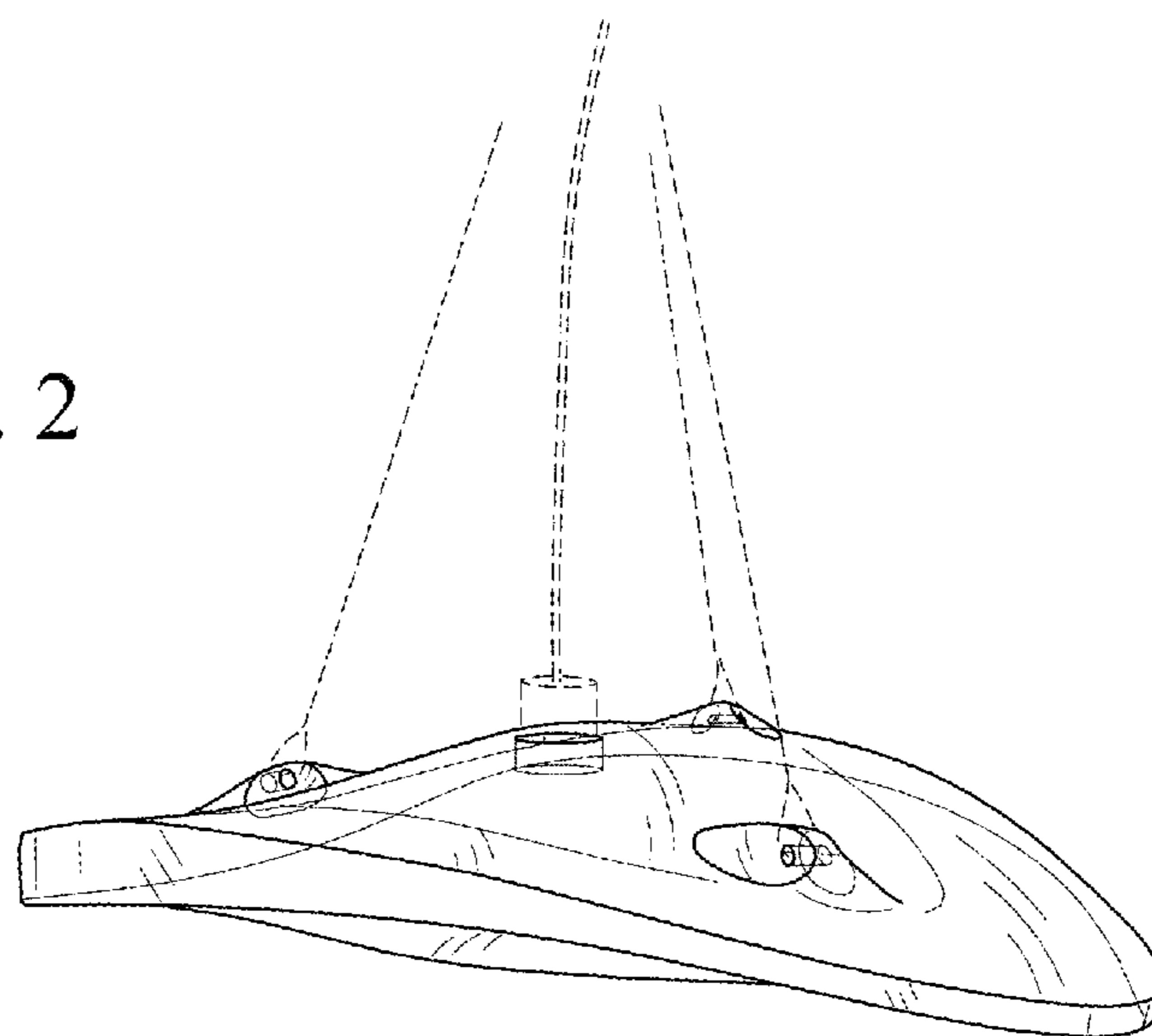


FIG. 3

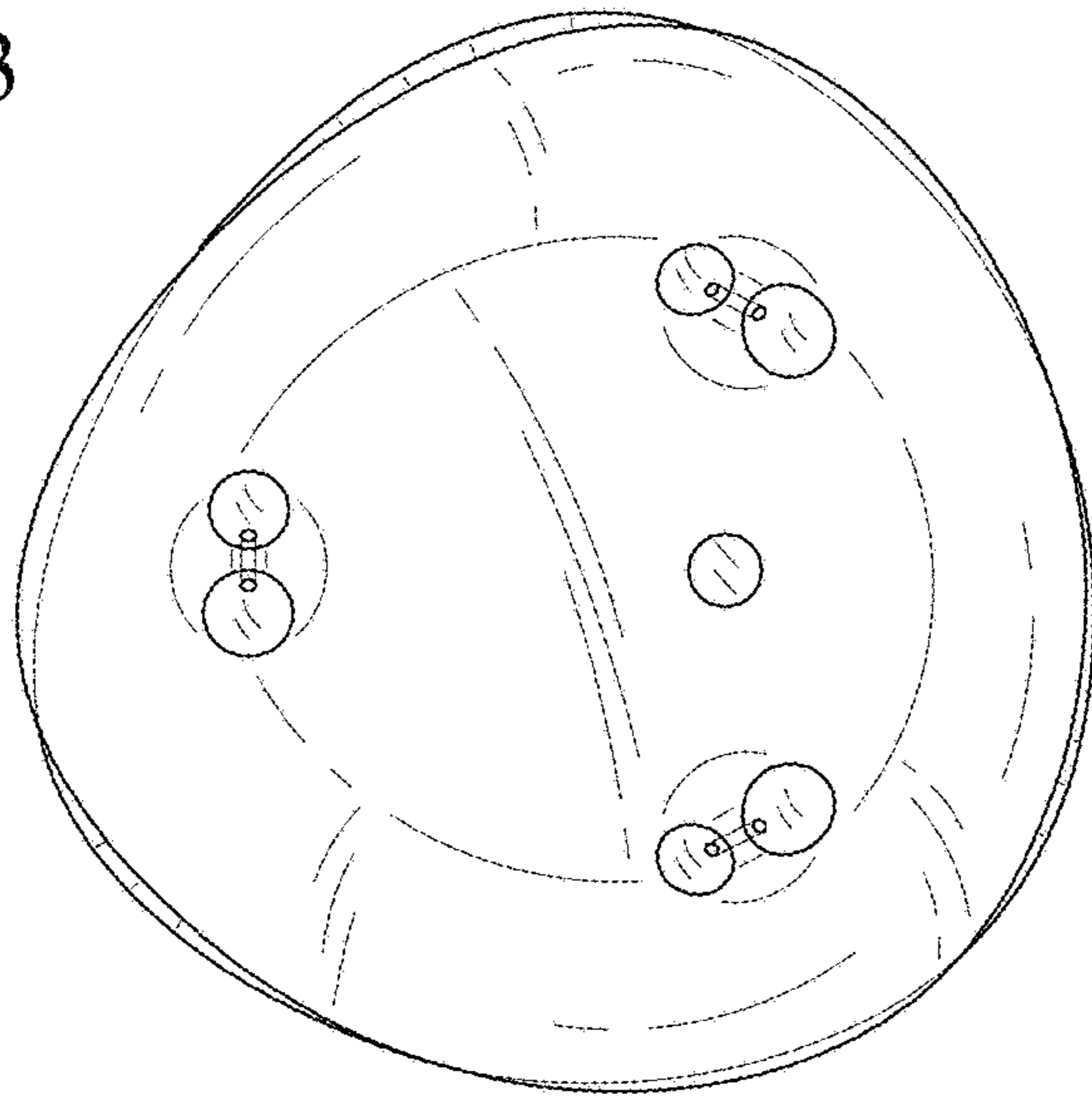


FIG. 4

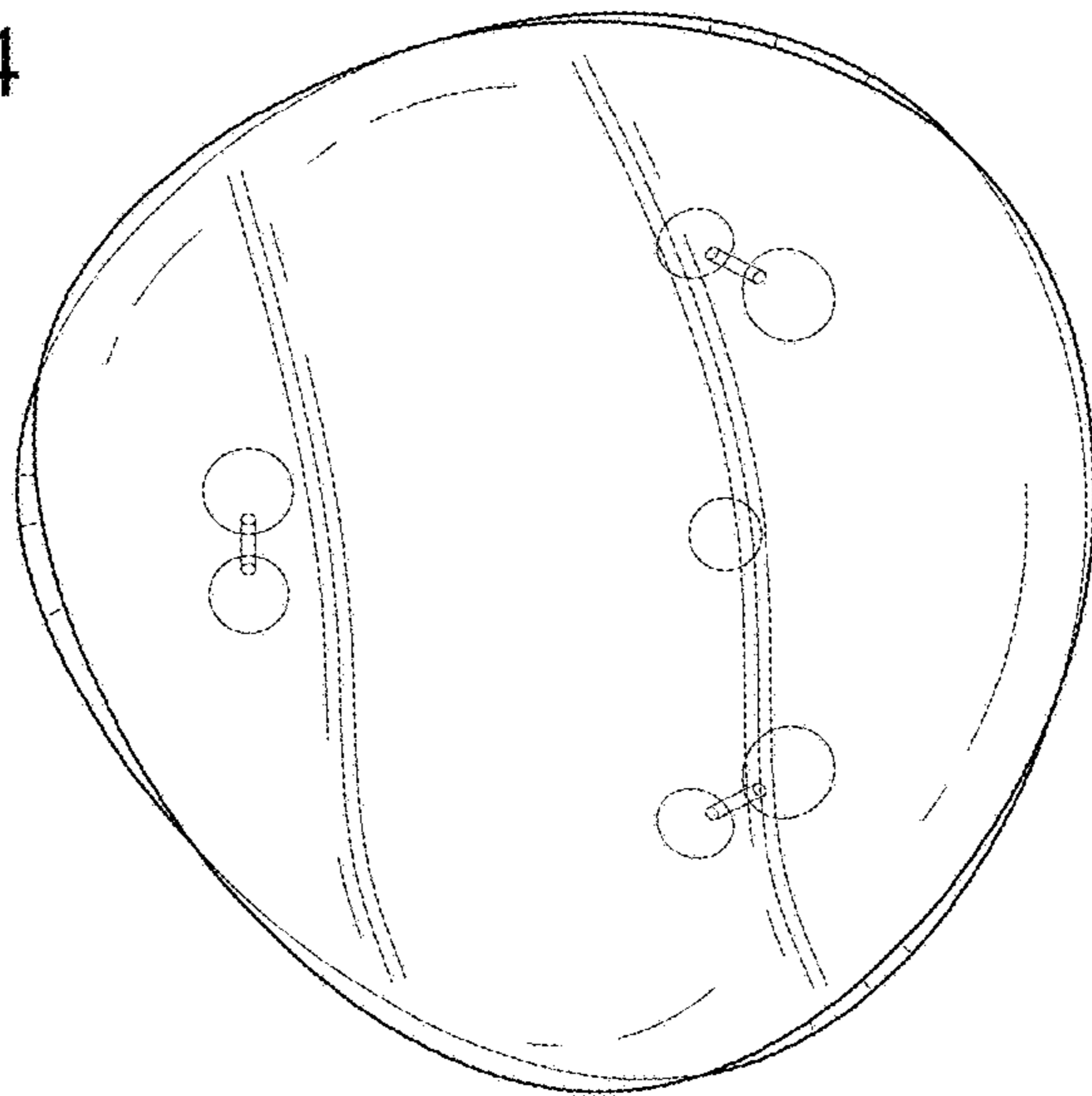


FIG. 5

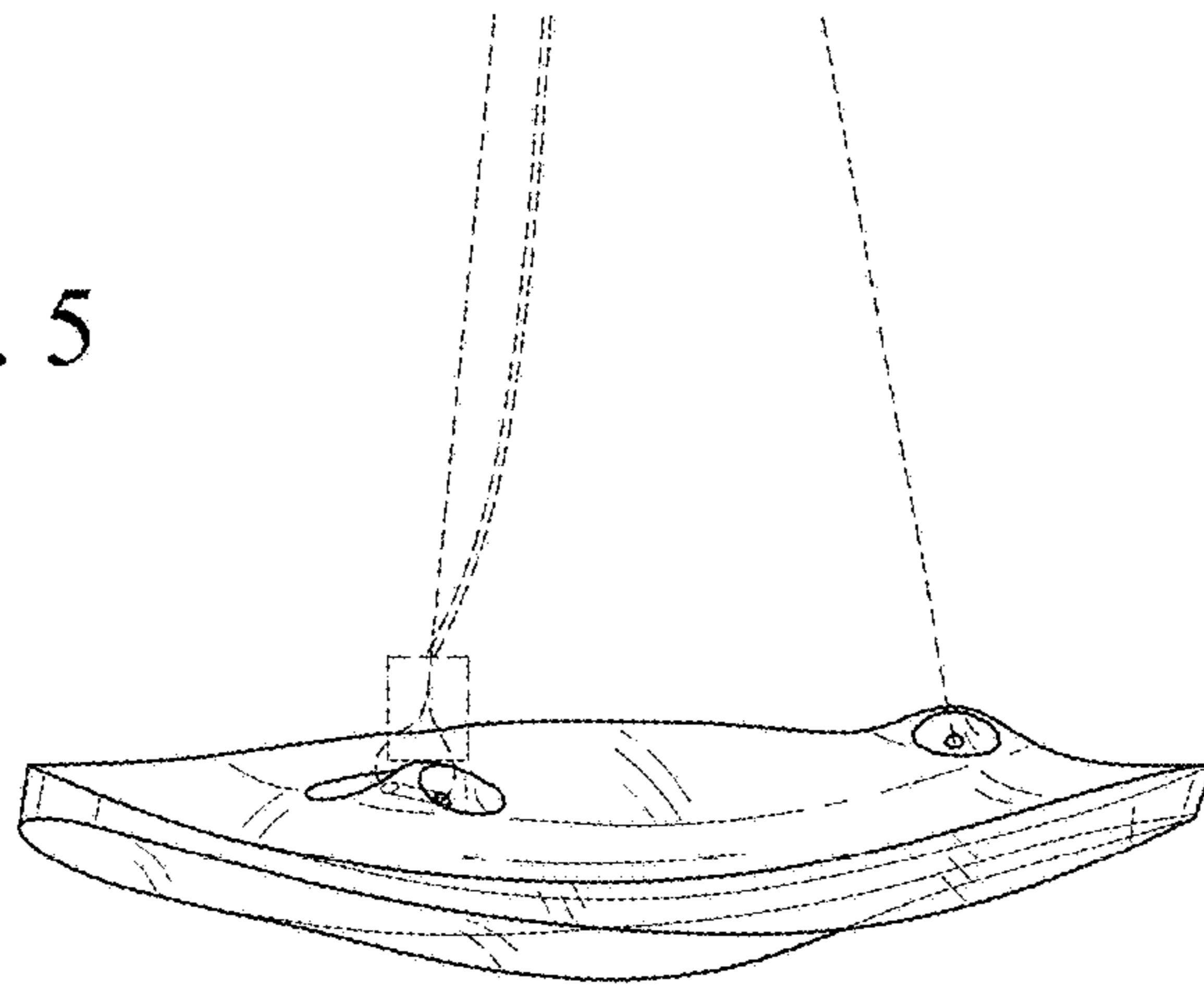


FIG. 6

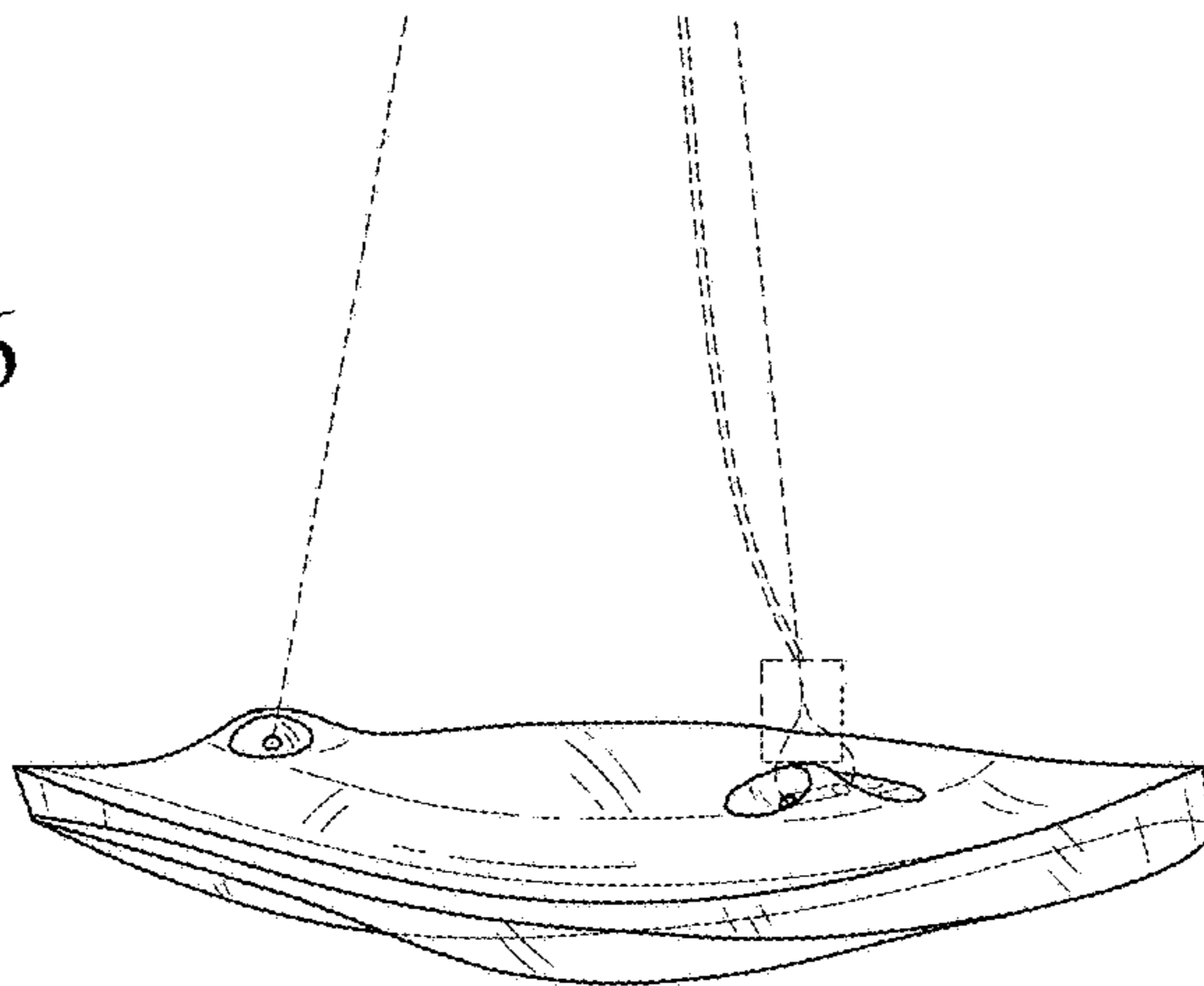


FIG. 7

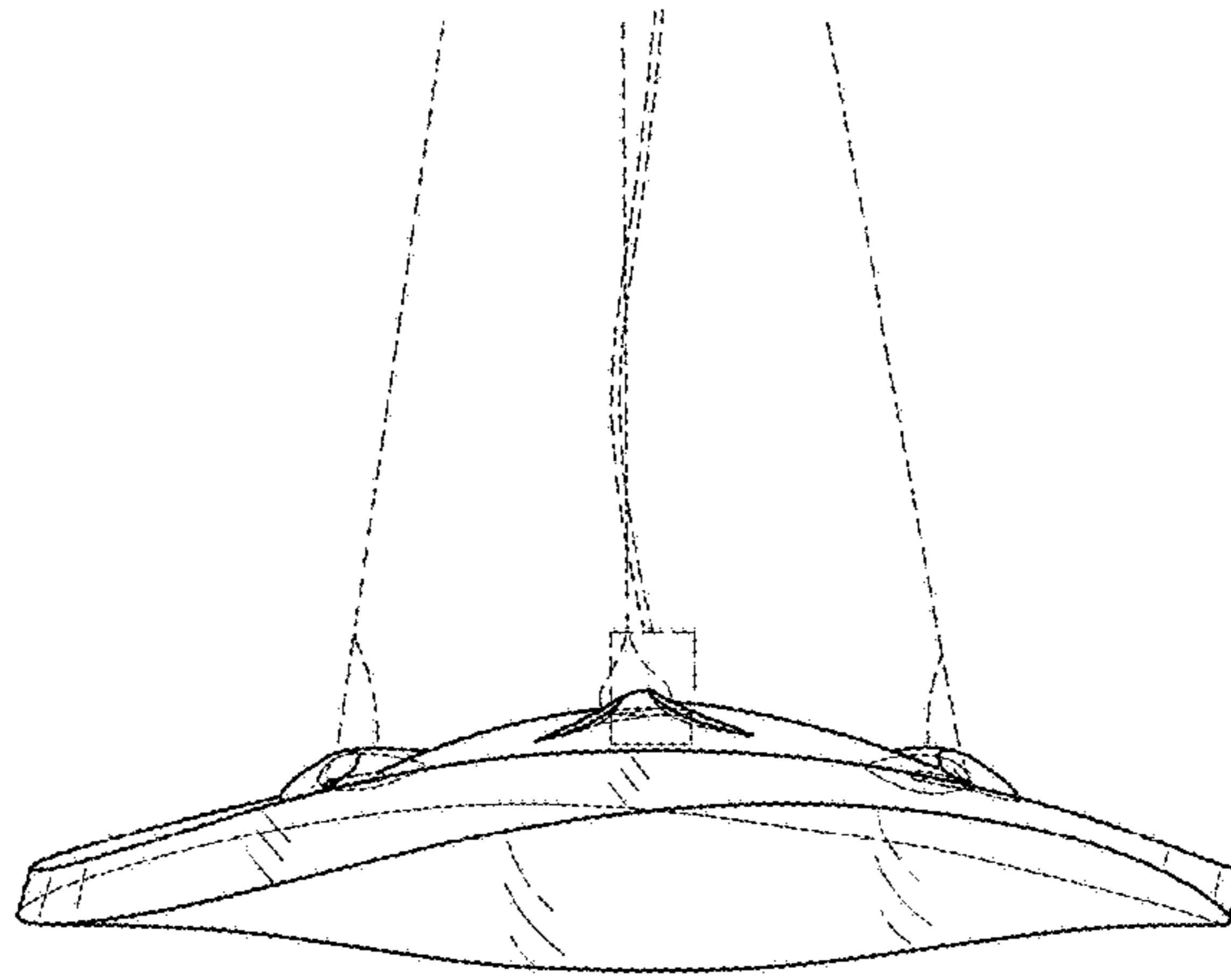


FIG. 8

