



US00D847397S

(12) **United States Design Patent**
Brandrup

(10) **Patent No.:** **US D847,397 S**

(45) **Date of Patent:** **** Apr. 30, 2019**

(54) **LIGHT FIXTURE**

(71) Applicant: **Jan Brandrup**, Rancho Santa Fe, CA
(US)

(72) Inventor: **Jan Brandrup**, Rancho Santa Fe, CA
(US)

(**) Term: **15 Years**

(21) Appl. No.: **29/629,946**

(22) Filed: **Dec. 18, 2017**

(51) **LOC (11) Cl.** **26-04**

(52) **U.S. Cl.**
USPC **D26/76**

(58) **Field of Classification Search**
USPC D26/76, 78, 79, 80, 81, 82, 83, 85, 86,
D26/88, 90, 93, 111, 113, 118, 119, 120,
D26/121, 122, 138, 139, 140, 141, 142,
D26/152

CPC F21S 2/00; F21S 4/00; F21S 4/003; F21S
4/005; F21S 4/006; F21S 4/007; F21S
4/008; F21S 6/00; F21S 8/00; F21S
8/024; F21S 8/026; F21S 8/031; F21S
8/033; F21S 8/035-8/037; F21S 8/04;
F21S 8/043; F21S 8/063

See application file for complete search history.

(56) **References Cited**

U.S. PATENT DOCUMENTS

D487,598 S * 3/2004 Schuetz D26/76
D547,481 S * 7/2007 Tseng D26/75

D632,004 S * 2/2011 Waldmann D26/76
D675,365 S * 1/2013 Beghelli D26/78
D693,514 S * 11/2013 Mueller D26/76
D793,603 S * 8/2017 Parker D26/76
D808,059 S * 1/2018 Li D26/76
D814,095 S * 3/2018 Brandrup D26/76
D818,626 S * 5/2018 Park D26/76
D824,570 S * 7/2018 Bobel D26/76

* cited by examiner

Primary Examiner — Natasha Vujcic

(57) **CLAIM**

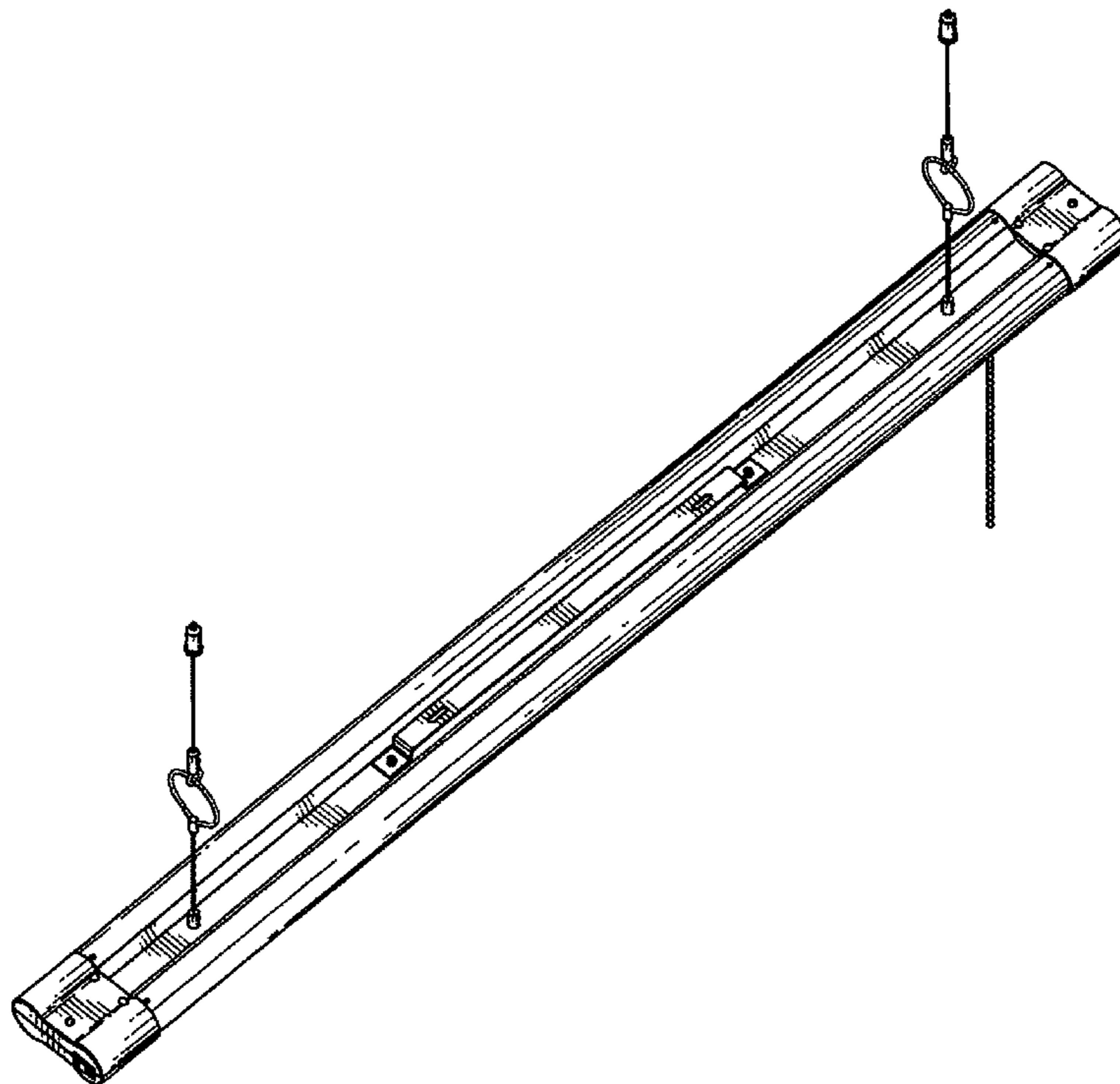
The ornamental design for a light fixture, as shown and described.

DESCRIPTION

FIG. 1 is a top and left side perspective view of a light fixture in accordance with my new design;
FIG. 2 is a bottom and left side perspective view thereof;
FIG. 3 is a front elevational view thereof;
FIG. 4 is a rear elevational view thereof;
FIG. 5 is a left side elevational view thereof;
FIG. 6 is a right side elevational view thereof;
FIG. 7 is a top plan view thereof; and,
FIG. 8 is a bottom plan view thereof.

The broken lines in the figures illustrate portions of the light fixture that form no part of the claimed design.

1 Claim, 6 Drawing Sheets



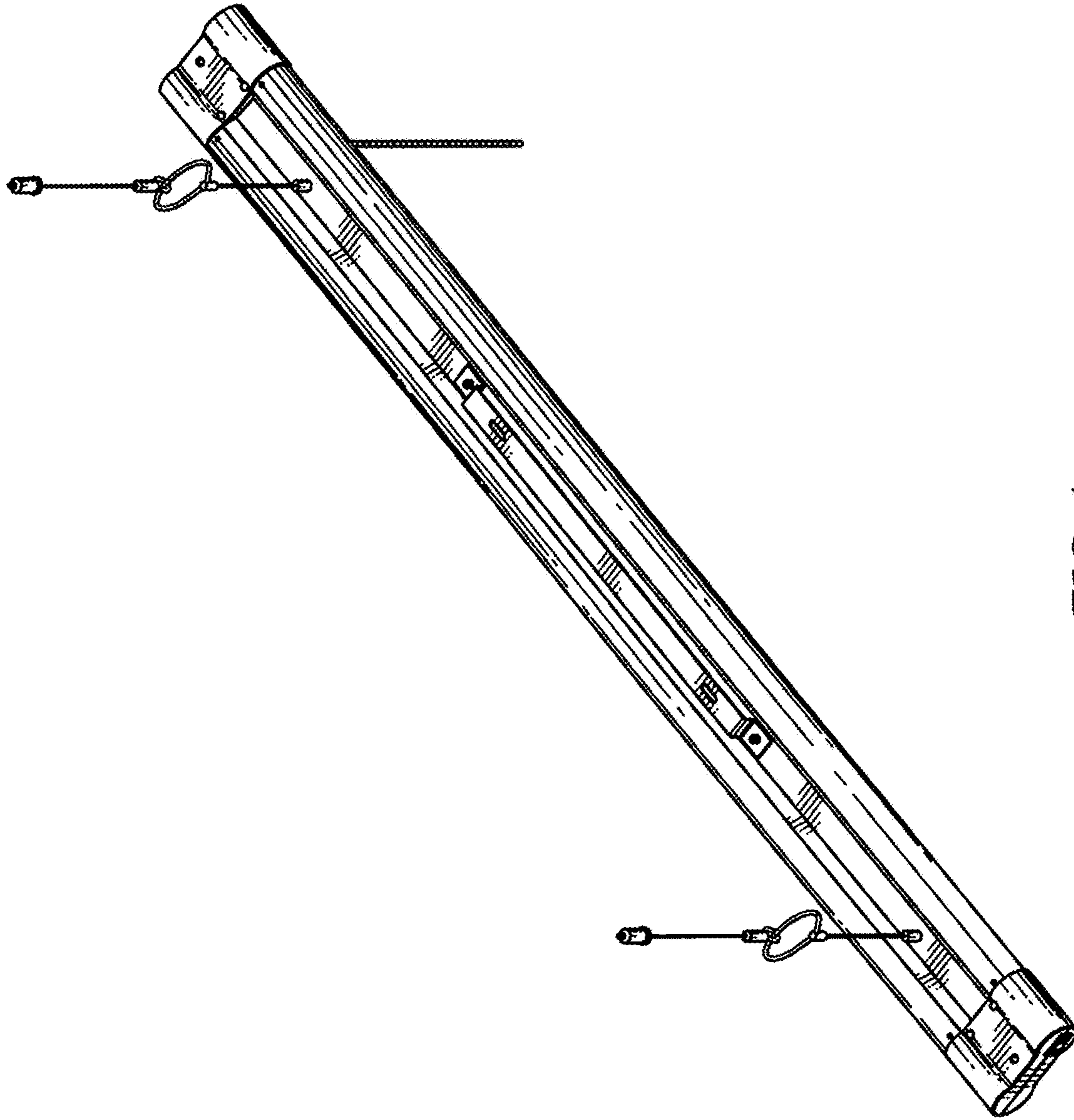


FIG. 1

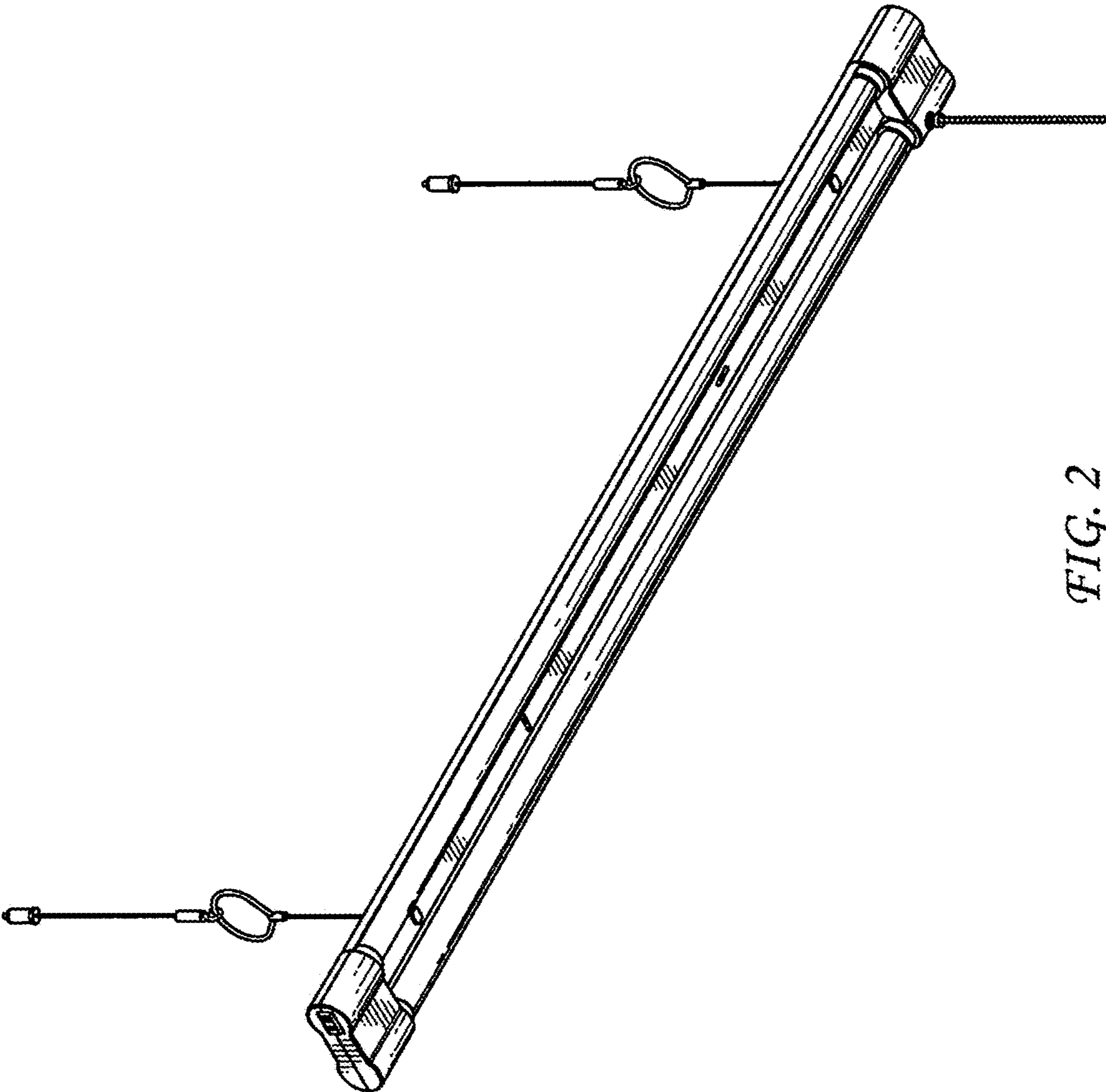


FIG. 2

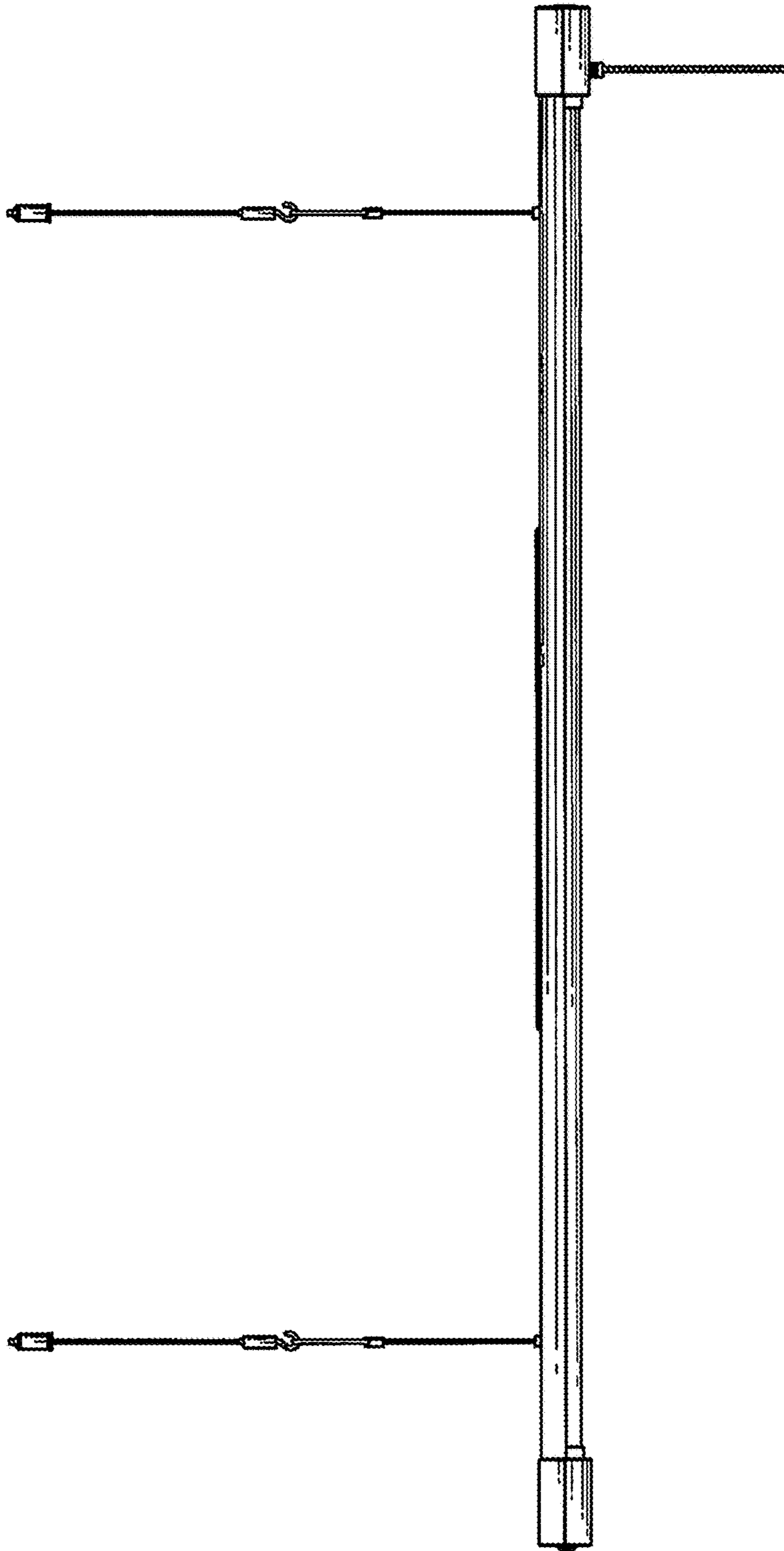


FIG. 3

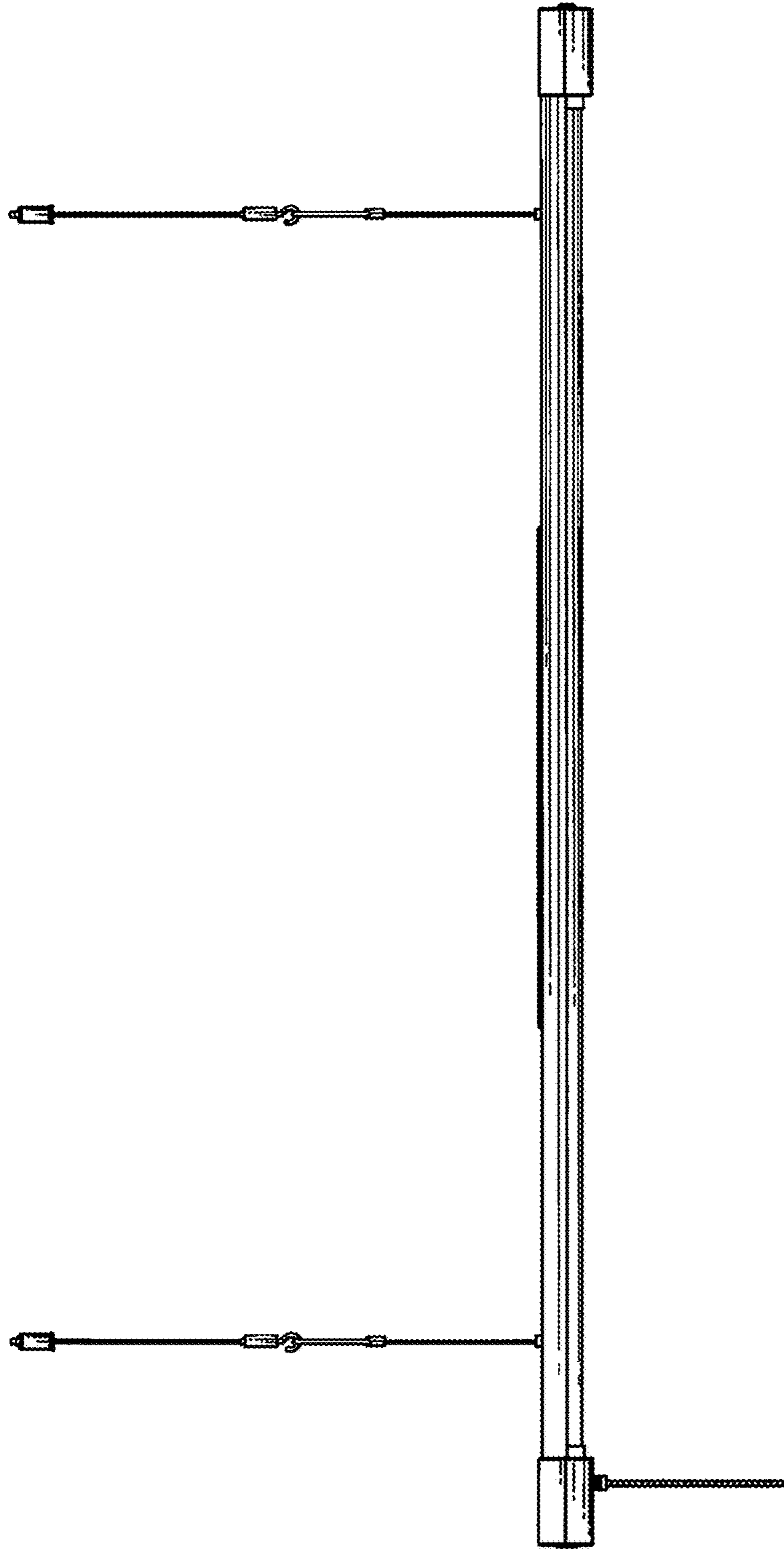


FIG. 4

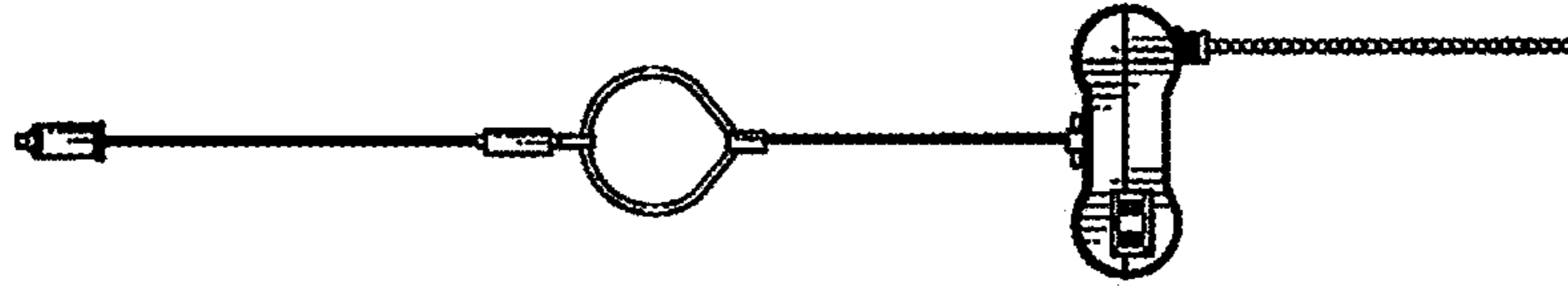


FIG. 6

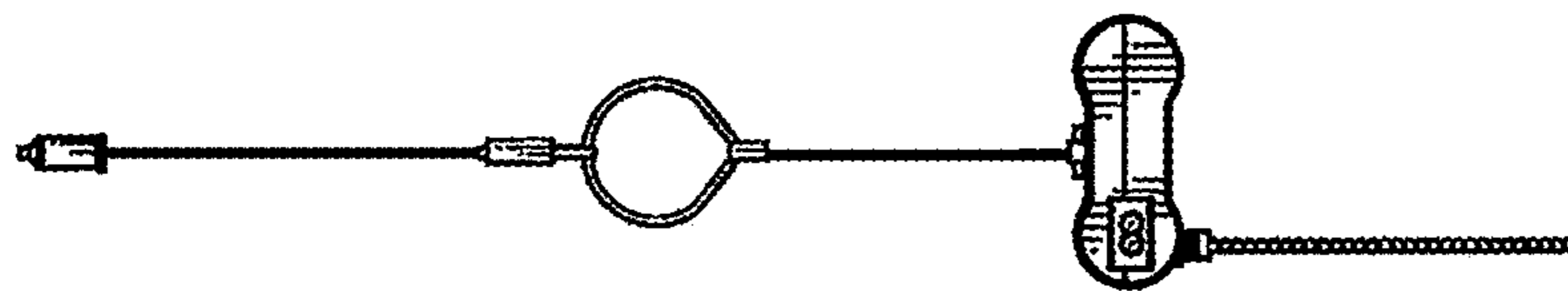


FIG. 5

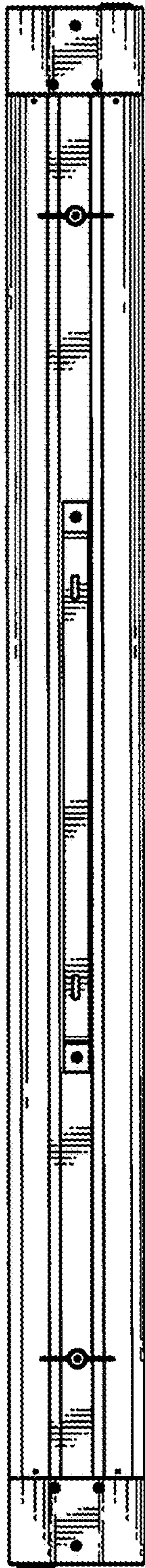


FIG. 7

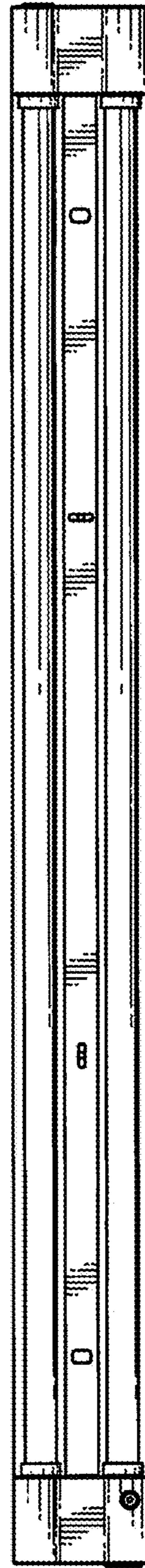


FIG. 8