

US00D847394S

(12) **United States Design Patent**  
**Reynolds**

(10) **Patent No.:** **US D847,394 S**  
(45) **Date of Patent:** **\*\* Apr. 30, 2019**

- (54) **DOUBLE ENDED LAMP REFLECTOR KIT**
- (71) Applicant: **HGCI, Inc.**, Las Vegas, NV (US)
- (72) Inventor: **Christopher Reynolds**, Vancouver, WA (US)
- (73) Assignee: **HGCI, Inc.**, Las Vegas, NV (US)
- (\*\*) Term: **15 Years**
- (21) Appl. No.: **29/562,651**
- (22) Filed: **Apr. 27, 2016**

- 3,272,978 A 9/1966 Jackson
- 4,531,180 A 7/1985 Hernandez
- 4,933,821 A 6/1990 Anderson
- 4,939,629 A 7/1990 Glanton et al.
- D311,597 S 10/1990 Poot
- 4,970,428 A 11/1990 Hayakawa et al.
- 4,980,809 A 12/1990 Baldwin et al.
- 5,065,294 A 11/1991 Poot, Jr.
- D352,126 S 11/1994 Ruud et al.
- 5,461,554 A 10/1995 Leonetti et al.
- 5,486,737 A 1/1996 Hrubowchak et al.
- 5,510,676 A 4/1996 Cottaar et al.
- 5,698,947 A 12/1997 Choi

(Continued)

**Related U.S. Application Data**

- (62) Division of application No. 29/481,879, filed on Feb. 11, 2014, now Pat. No. Des. 758,646.
- (51) **LOC (11) Cl.** ..... **26-04**
- (52) **U.S. Cl.**  
USPC ..... **D26/76**
- (58) **Field of Classification Search**  
USPC ..... D26/76, 78, 79, 80, 81, 82, 83, 85, 86,  
D26/88, 90, 113, 118, 119, 120, 121, 122,  
D26/138, 139, 140, 141, 142, 152  
CPC ..... F21S 2/00; F21S 4/00; F21S 4/003; F21S  
4/005; F21S 4/006; F21S 4/007; F21S  
4/008; F21S 6/00; F21S 8/00; F21S  
8/024; F21S 8/026; F21S 8/031; F21S  
8/033; F21S 8/035-8/037; F21S 8/04;  
F21S 8/043; F21S 8/063  
See application file for complete search history.

(56) **References Cited**

**U.S. PATENT DOCUMENTS**

- D106,614 S 10/1937 Waterbury
- D123,768 S 12/1940 Scribner
- D174,221 S 3/1955 Hatch et al.

**FOREIGN PATENT DOCUMENTS**

- CA 2034710 A1 8/1991
- CA 1314529 C 3/1993

(Continued)

*Primary Examiner* — Natasha Vujcic

(74) *Attorney, Agent, or Firm* — J. Douglas Wells

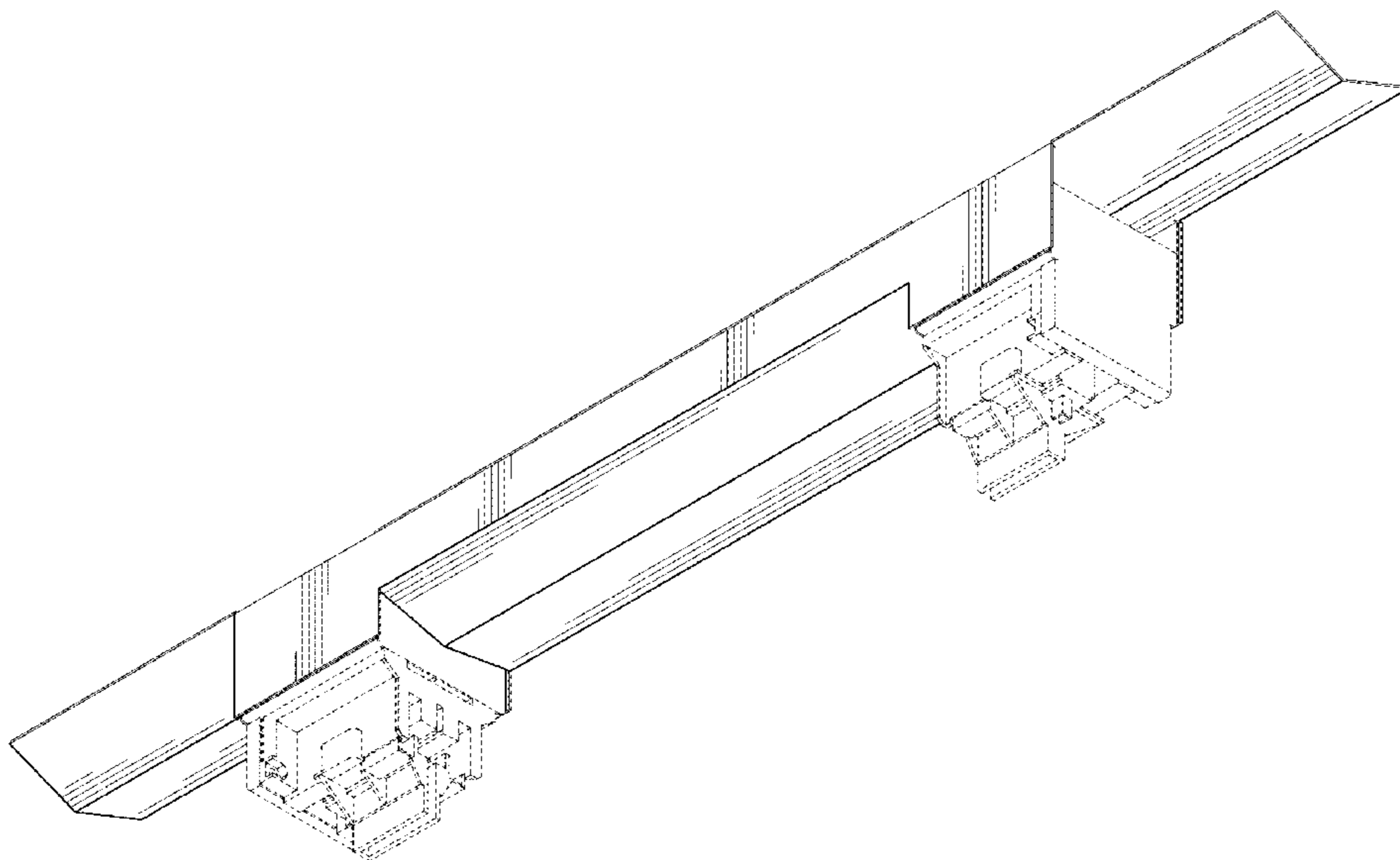
(57) **CLAIM**

The ornamental design for a double ended lamp reflector kit, as shown and described.

**DESCRIPTION**

FIG. 1 is a perspective view of a double ended lamp reflector kit, as viewed from below, showing my new design; FIG. 2 is a left side view of the kit shown in FIG. 1; FIG. 3 is a right side view of the kit shown in FIG. 1; FIG. 4 is a front elevation view of the kit shown in FIG. 1; FIG. 5 is a rear elevation view of the kit shown in FIG. 1; FIG. 6 is a top plan view of the kit shown in FIG. 1; and, FIG. 7 is a bottom plan view of the kit shown in FIG. 1. The broken lines in the drawings illustrate portions of the double ended lamp reflector kit which form no part of the claimed design.

**1 Claim, 3 Drawing Sheets**



(56)

References Cited

U.S. PATENT DOCUMENTS

D396,319 S 7/1998 Sutton  
 5,896,004 A 4/1999 Feldman et al.  
 5,932,955 A 8/1999 Berger et al.  
 5,983,564 A 11/1999 Stragnola  
 5,987,697 A 11/1999 Song et al.  
 D418,936 S \* 1/2000 Dunning ..... D26/76  
 D419,248 S 1/2000 Lyons  
 6,042,250 A 3/2000 Stragnola  
 6,051,927 A 4/2000 Graser et al.  
 6,076,944 A 6/2000 Maranon  
 6,094,919 A 8/2000 Bhatia  
 6,111,739 A 8/2000 Wu et al.  
 6,152,579 A 11/2000 Reed et al.  
 D441,891 S \* 5/2001 Herst ..... D26/76  
 6,230,497 B1 5/2001 Morris et al.  
 D447,272 S 8/2001 Smith  
 6,343,984 B1 2/2002 Langdon et al.  
 D456,938 S 5/2002 Wardenburg  
 D459,825 S 7/2002 Field  
 D469,564 S 1/2003 Brok  
 6,527,422 B1 3/2003 Hutchison  
 6,595,662 B2 7/2003 Wardenburg  
 6,601,972 B2 8/2003 Sei et al.  
 6,729,383 B1 5/2004 Cannell et al.  
 6,783,263 B1 8/2004 Cronk  
 6,885,134 B2 4/2005 Kurashima et al.  
 D520,667 S \* 5/2006 Jae-Sung ..... D26/25  
 7,156,539 B2 1/2007 Cronk  
 7,175,309 B2 2/2007 Craw et al.  
 D542,460 S 5/2007 Hargreaves  
 D543,652 S 5/2007 Hargreaves  
 D543,654 S 5/2007 Hargreaves  
 D544,139 S 6/2007 Hargreaves  
 D544,626 S 6/2007 Hargreaves  
 D544,983 S 6/2007 Hargreaves  
 D544,984 S 6/2007 Hargreaves  
 D544,985 S 6/2007 Hargreaves  
 D544,987 S 6/2007 Hargreaves  
 D544,994 S 6/2007 Hargreaves  
 D544,995 S 6/2007 Hargreaves  
 D545,484 S 6/2007 Hargreaves  
 D545,994 S 7/2007 Hargreaves  
 D569,027 S \* 5/2008 Hakamada ..... D26/76  
 7,524,090 B2 4/2009 Hargreaves  
 D598,603 S 8/2009 Cunius  
 D603,087 S 10/2009 Mo et al.  
 7,617,057 B2 11/2009 May et al.  
 7,641,367 B2 1/2010 Hargreaves et al.  
 D614,801 S 4/2010 Collins et al.  
 7,722,228 B2 5/2010 Broer

D617,028 S 6/2010 Verfueth et al.  
 D621,996 S 8/2010 Redfem  
 D631,841 S 2/2011 Urano  
 D634,060 S 3/2011 Wardenburg  
 D634,468 S 3/2011 Hargreaves  
 D634,469 S 3/2011 Hargreaves  
 D637,341 S 5/2011 Wardenburg  
 D637,752 S 5/2011 Mekhtarian  
 7,972,044 B2 7/2011 Burkhauser  
 7,987,632 B2 8/2011 May et al.  
 8,018,630 B2 9/2011 Herloski  
 D650,515 S 12/2011 Bradley et al.  
 D656,462 S 3/2012 Urano  
 8,157,420 B2 4/2012 Song  
 8,334,640 B2 12/2012 Reed et al.  
 D675,369 S 1/2013 Michaud  
 8,371,726 B2 2/2013 Collins et al.  
 D678,599 S 3/2013 Bayer et al.  
 D683,064 S 5/2013 Tuck  
 D731,704 S 6/2015 Klus  
 D732,233 S 6/2015 Reynolds  
 D747,539 S \* 1/2016 Santoro ..... D26/120  
 D776,854 S \* 1/2017 Baumeister ..... D26/76  
 D782,099 S \* 3/2017 Orozco ..... D26/85  
 D785,229 S \* 4/2017 Noh ..... D26/76  
 D805,233 S \* 12/2017 Verfueth ..... D26/76  
 D808,566 S \* 1/2018 Goetz-Schaefer ..... D26/76  
 2003/0223234 A1 12/2003 Tang  
 2004/0090778 A1 5/2004 Noh  
 2006/0046558 A1 3/2006 Frappier  
 2006/0231081 A1 10/2006 Kirakosyan  
 2007/0228993 A1 10/2007 Stuer et al.  
 2008/0117617 A1 5/2008 Hargreaves et al.  
 2008/0205030 A1 8/2008 Hargreaves  
 2008/0205071 A1 8/2008 Townsley  
 2008/0278950 A1 11/2008 Pickard et al.  
 2009/0231840 A1 9/2009 Boehme et al.  
 2009/0262540 A1 10/2009 Hargreaves et al.  
 2010/0302768 A1 12/2010 Collins et al.  
 2012/0230035 A1 9/2012 Bradley, Jr. et al.  
 2013/0083539 A1 4/2013 Dimitriadis  
 2013/0155685 A1 6/2013 Stanley

FOREIGN PATENT DOCUMENTS

EP 0325003 A1 7/1989  
 EP 0440274 A1 8/1991  
 WO 2002063210 A2 8/2002  
 WO 2008018000 A1 2/2008  
 WO 2009096775 A2 8/2009  
 WO 2011119451 A1 9/2011

\* cited by examiner

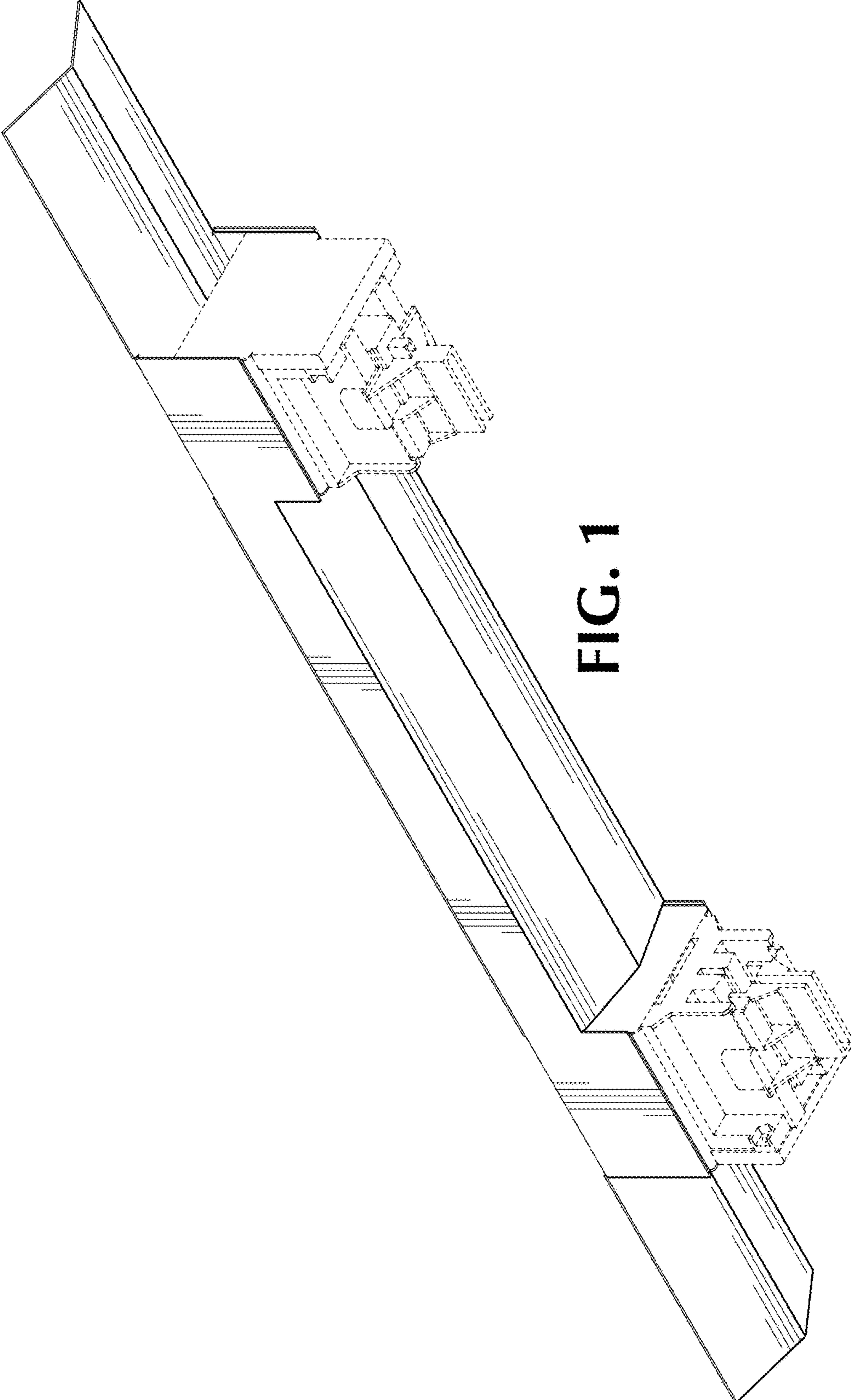
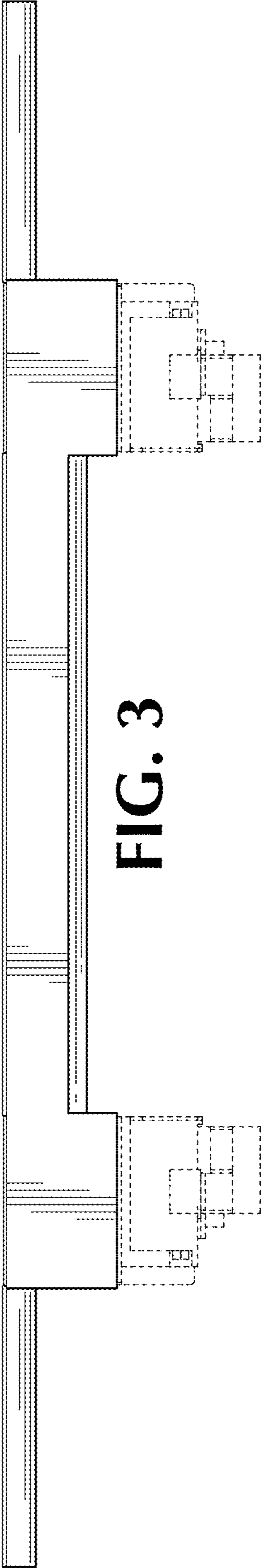
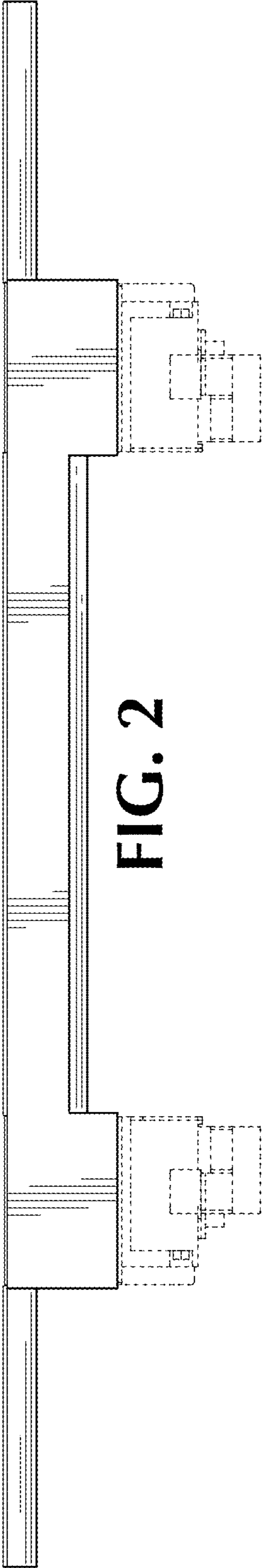


FIG. 1





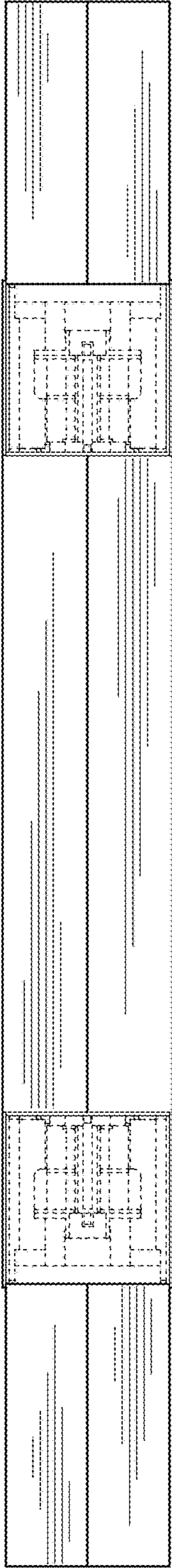


FIG. 4

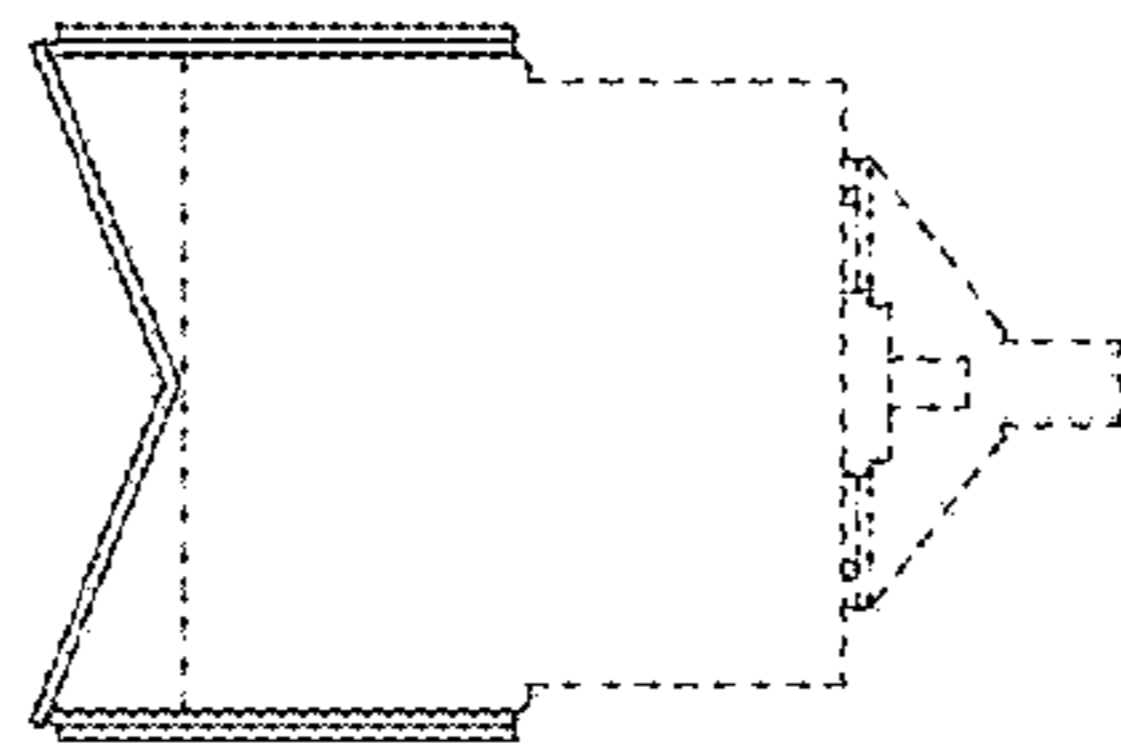


FIG. 5

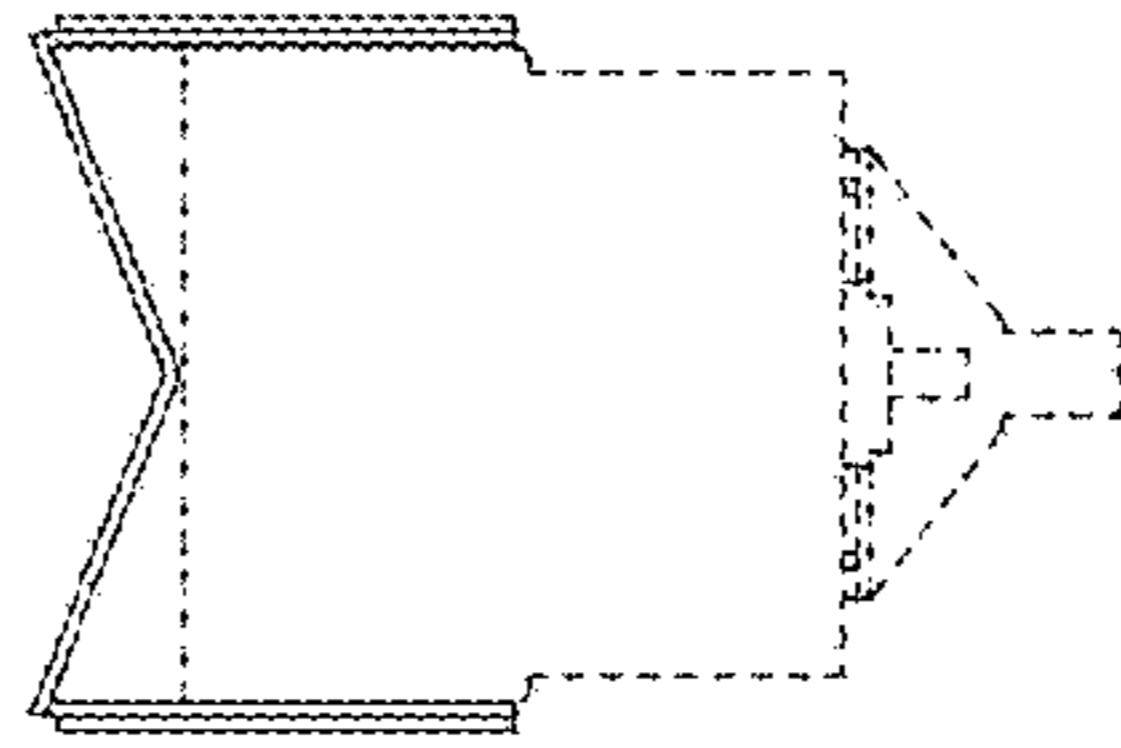


FIG. 6

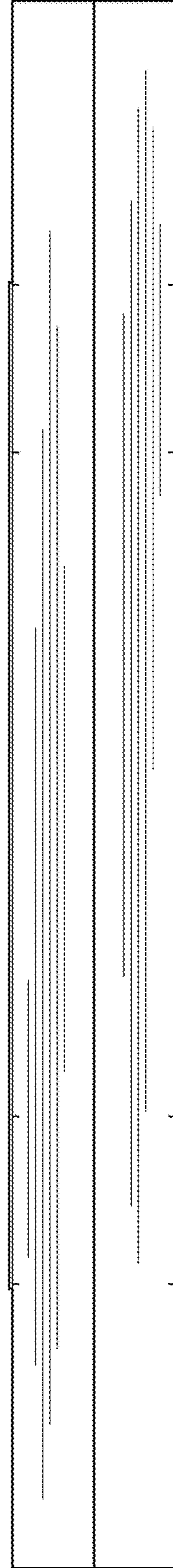


FIG. 7