



US00D847393S

(12) **United States Design Patent** (10) **Patent No.:** **US D847,393 S**
Chung et al. (45) **Date of Patent:** **** *Apr. 30, 2019**

(54) **LIGHT FIXTURE**

(71) Applicant: **Focal Point, LLC**, Chicago, IL (US)

(72) Inventors: **Casey Chung**, Bloomingdale, IL (US); **Ken Czech**, Naperville, IL (US); **Sasha Grishina**, Brooklyn, NY (US); **Susan Jill Grossinger**, Los Angeles, CA (US); **Thomas Adam Kaczowski**, University City, MO (US); **Phillip David Ziolkowski**, Richmond Heights, MO (US)

(73) Assignee: **Focal Point, LLC**, Chicago, IL (US)

(*) Notice: This patent is subject to a terminal disclaimer.

(**) Term: **15 Years**

(21) Appl. No.: **29/562,493**

(22) Filed: **Apr. 26, 2016**

(51) **LOC (11) Cl.** **26-05**

(52) **U.S. Cl.**
USPC **D26/74**

(58) **Field of Classification Search**
USPC D26/74, 72, 75, 76, 77, 78, 85, 88, 89, D26/118, 138, 141; 362/364, 365, 373, 362/145, 146, 147, 148, 150, 153, 153.1, 362/294, 296.01, 296.07, 296.08
See application file for complete search history.

(56) **References Cited**

U.S. PATENT DOCUMENTS

D185,976 S * 8/1959 Meyer D26/122
D362,081 S * 9/1995 Bilbrey D25/103

D581,090 S * 11/2008 Colleran, Jr. D26/122
D642,810 S * 8/2011 Mann D6/300
D653,378 S * 1/2012 Friedman D26/86
D686,348 S * 7/2013 Martin D25/138
D695,442 S * 12/2013 Speier D26/74
D698,481 S * 1/2014 Wasserman D26/120
D711,036 S * 8/2014 Salomon D26/74
D724,774 S * 3/2015 Mayfield, III D26/74
D729,438 S * 5/2015 Hillstrom D25/103
D738,032 S * 9/2015 Maxik D26/118
D801,575 S * 10/2017 Chung D26/120

* cited by examiner

Primary Examiner — Angela Lee

(74) *Attorney, Agent, or Firm* — Banner & Witcoff, Ltd.

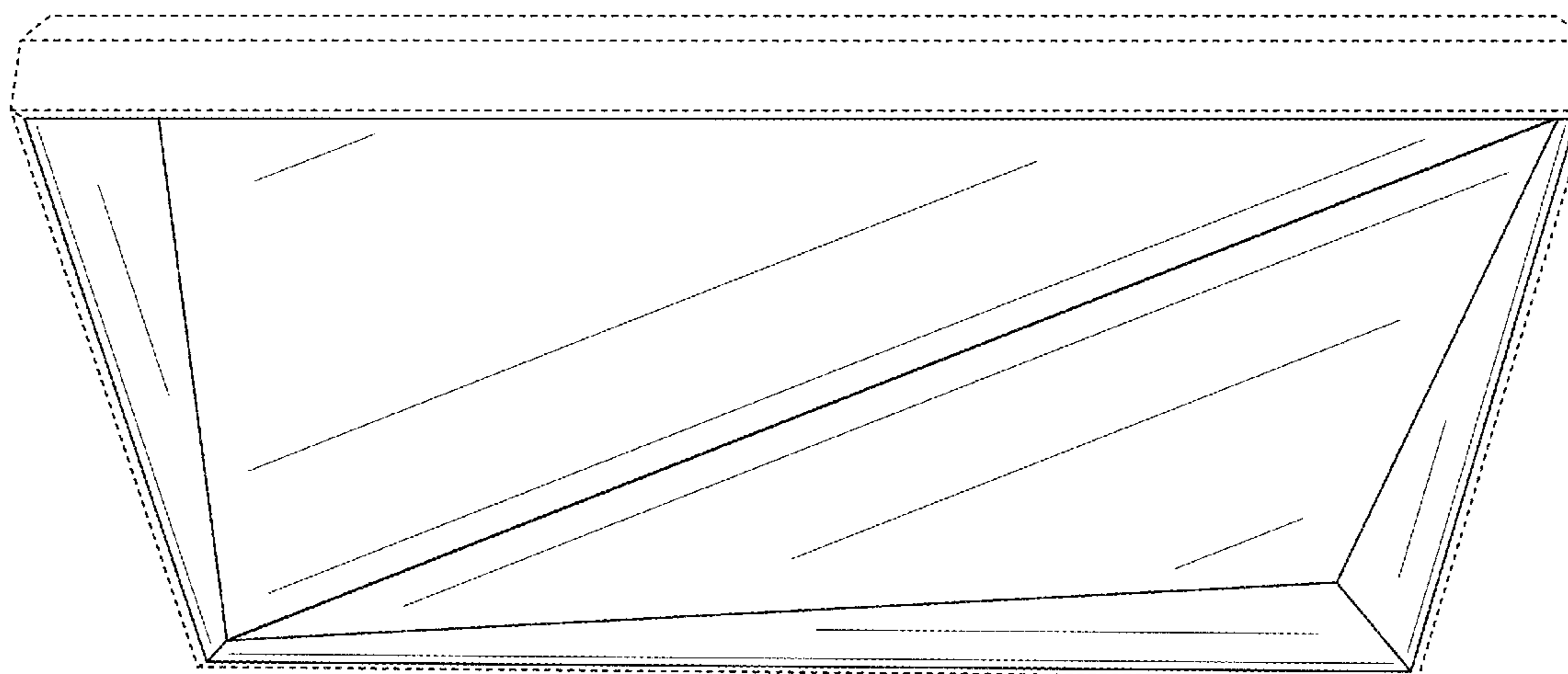
(57) **CLAIM**

The ornamental design for a light fixture, as shown and described.

DESCRIPTION

FIG. 1 is a bottom perspective view of a light fixture showing our new design;
FIG. 2 is an alternate bottom perspective view thereof;
FIG. 3 is a top perspective view thereof;
FIG. 4 is a bottom view thereof;
FIG. 5 is a top view thereof;
FIG. 6 is a front view thereof, wherein the rear view, right side view and left side view are mirror images and identical thereto; and,
FIG. 7 is a cross-sectional view at 7-7 in FIG. 3 thereof.
The broken lines showing the remainder of the light fixture are for environmental purposes only and form no part of the claimed design.

1 Claim, 7 Drawing Sheets



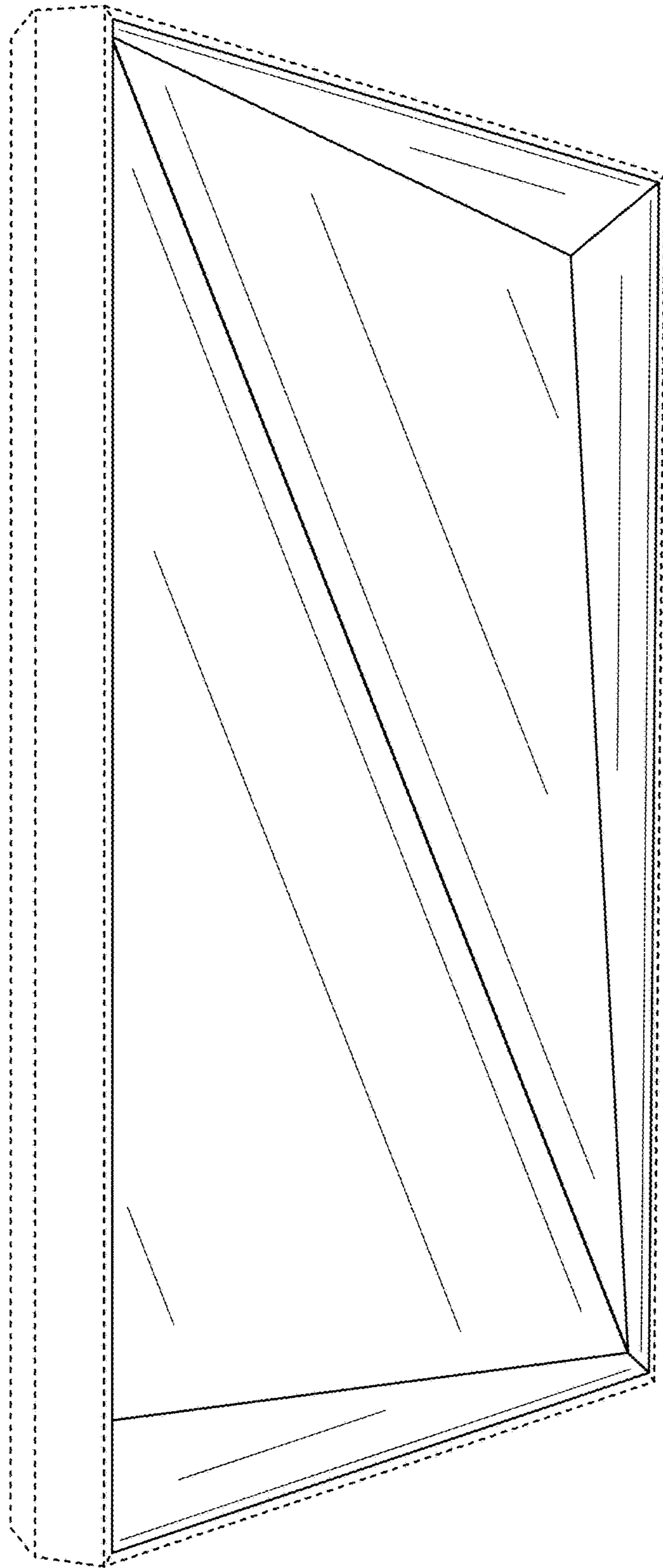


FIG. 1

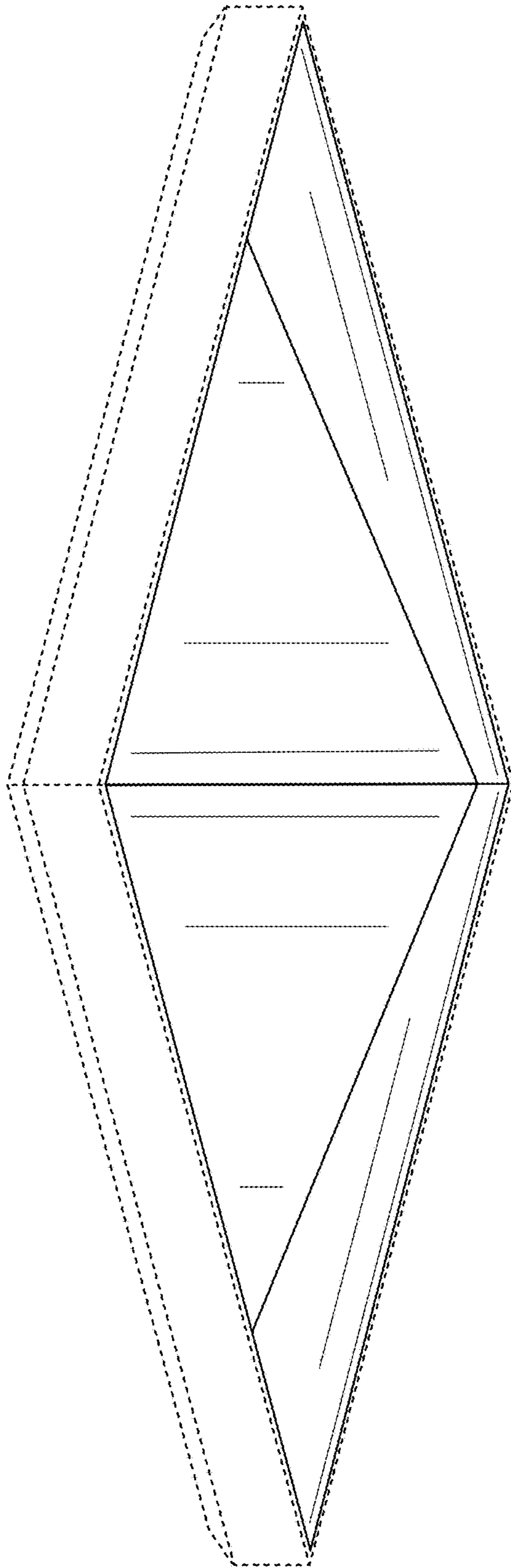


FIG. 2

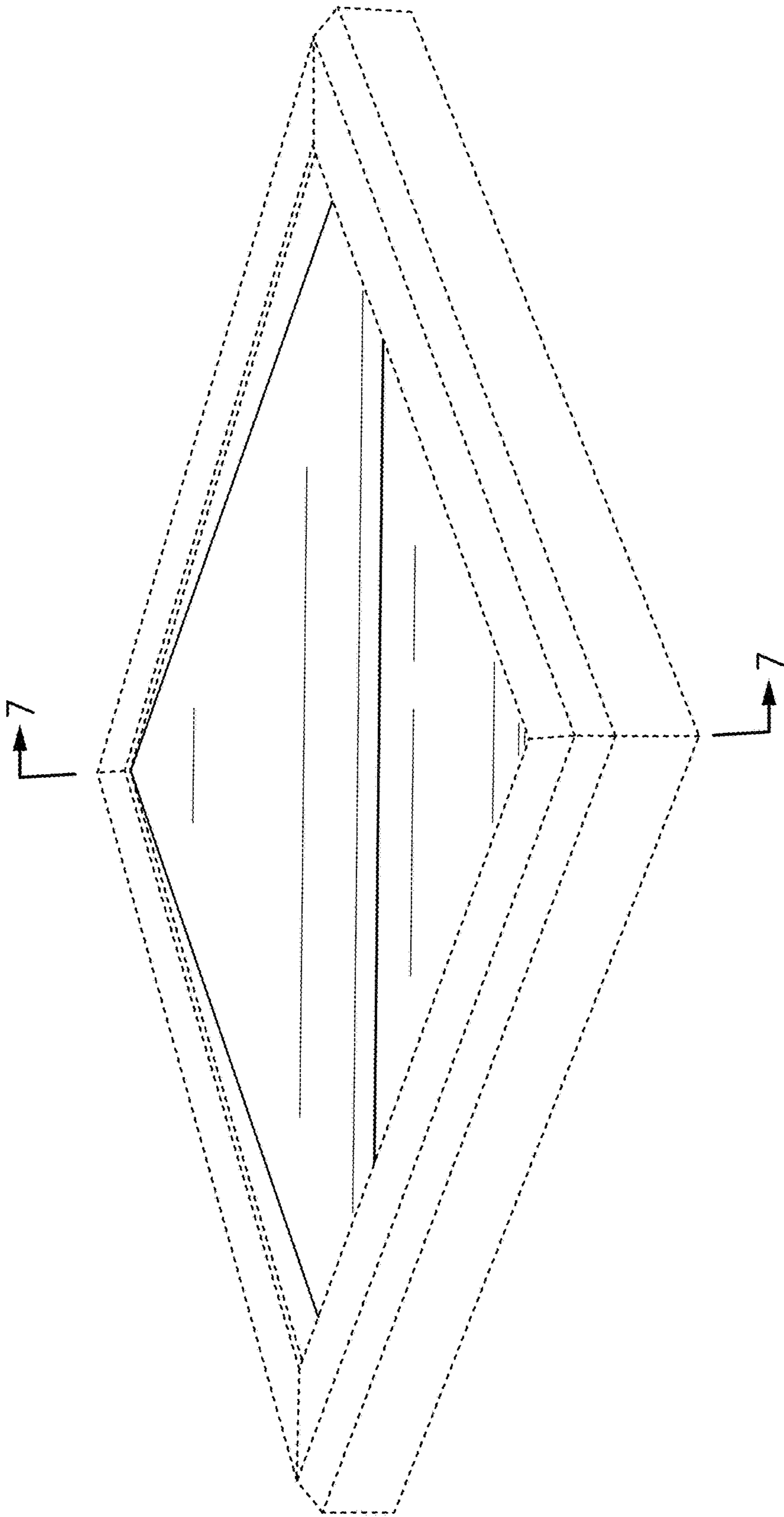


FIG. 3

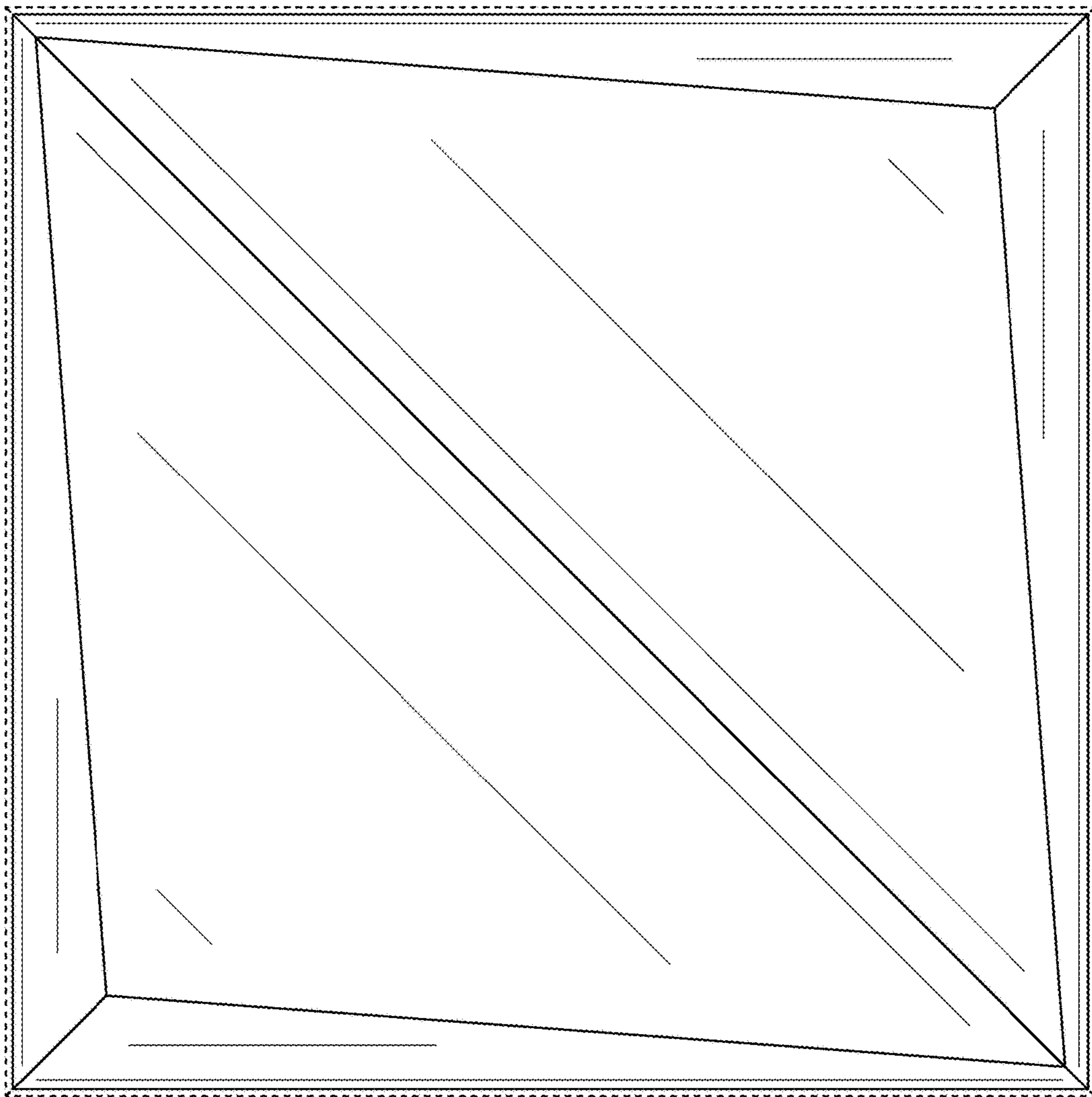


FIG. 4

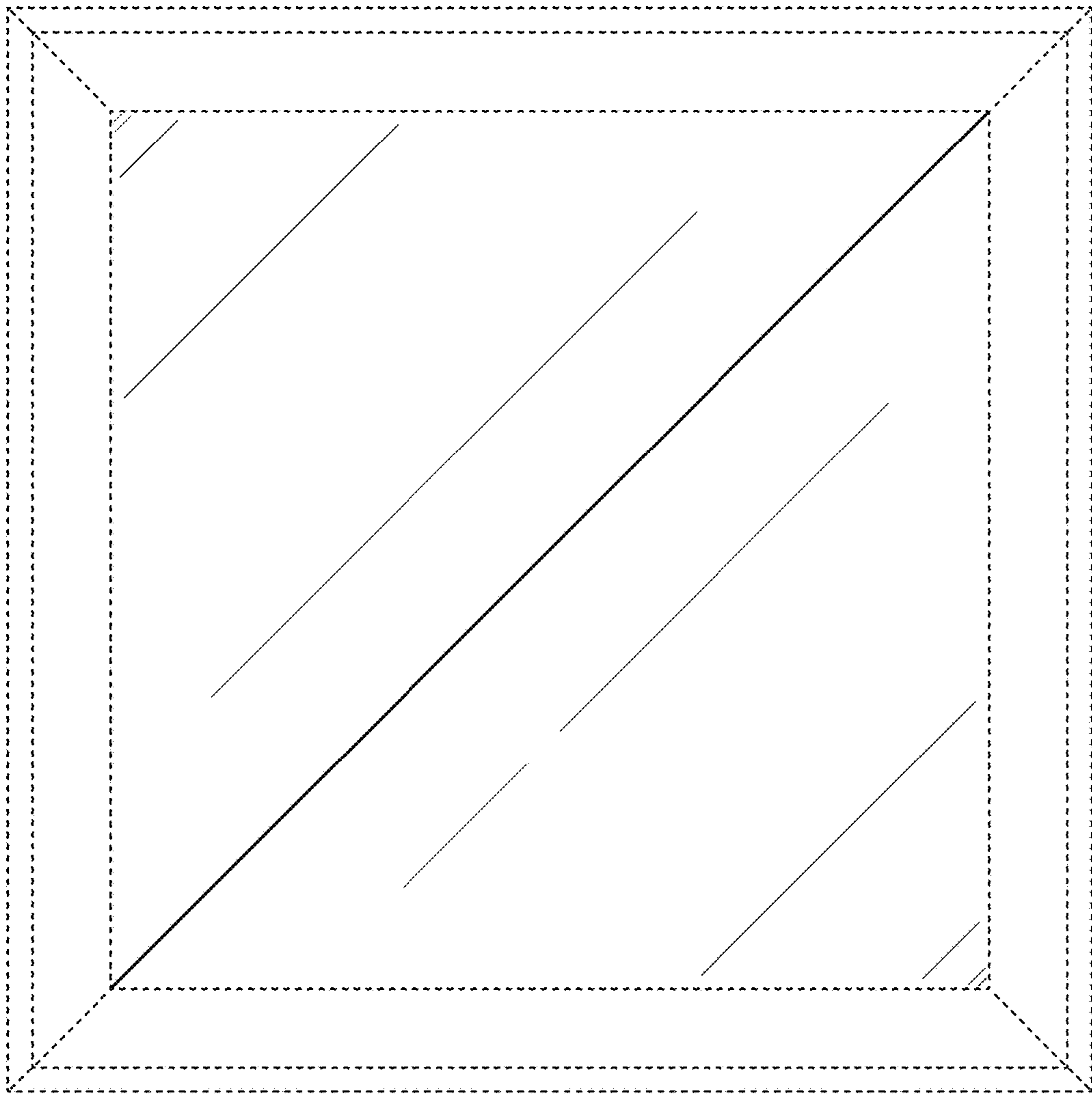


FIG. 5

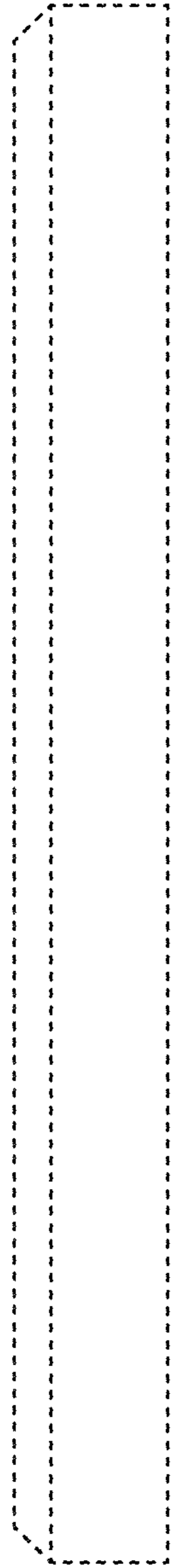


FIG. 6

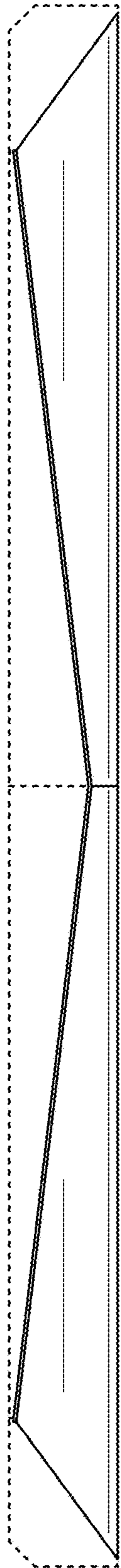


FIG. 7