

US00D847385S

(12) **United States Design Patent**  
**Huang et al.**

(10) **Patent No.:** **US D847,385 S**  
(45) **Date of Patent:** **\*\* Apr. 30, 2019**

- (54) **LED BULB**
- (71) Applicant: **K&L Electronic Co., Ltd.**, Dongguan (CN)
- (72) Inventors: **Kailang Huang**, Dongguan (CN);  
**Yuhui Hu**, Dongguan (CN)
- (\*\*) Term: **15 Years**
- (21) Appl. No.: **29/629,877**
- (22) Filed: **Dec. 15, 2017**
- (51) **LOC (11) Cl.** ..... **26-04**
- (52) **U.S. Cl.**  
USPC ..... **D26/2**
- (58) **Field of Classification Search**  
USPC ..... D26/1-4  
CPC ..... H01R 5/00; H01R 13/46; H01R 13/514;  
H01R 31/048; H01R 31/02; H01J 5/00;  
H01J 5/16; H01J 1/02; H01J 15/00; H01J  
5/48; H01J 5/50; H01J 19/54; F21V 5/00;  
F21V 13/00; F21V 29/004  
See application file for complete search history.

D688,395 S \* 8/2013 Bukkems ..... D26/2  
D706,961 S \* 6/2014 Nasrullah ..... D26/2  
D722,709 S \* 2/2015 Bosua ..... D26/2

\* cited by examiner

*Primary Examiner* — Marcus A Jackson  
(74) *Attorney, Agent, or Firm* — Novoclaims Patent  
Services LLC; Mei Lin Wong

(57) **CLAIM**

The ornamental design for a LED bulb, as shown and described.

**DESCRIPTION**

FIG. 1 is a front perspective view of a LED bulb showing my new design;  
FIG. 2 is a bottom perspective view thereof;  
FIG. 3 is a front view thereof;  
FIG. 4 is a rear view thereof;  
FIG. 5 is a left side view thereof;  
FIG. 6 is a right side view thereof;  
FIG. 7 is a top view thereof; and,  
FIG. 8 is a bottom view thereof.

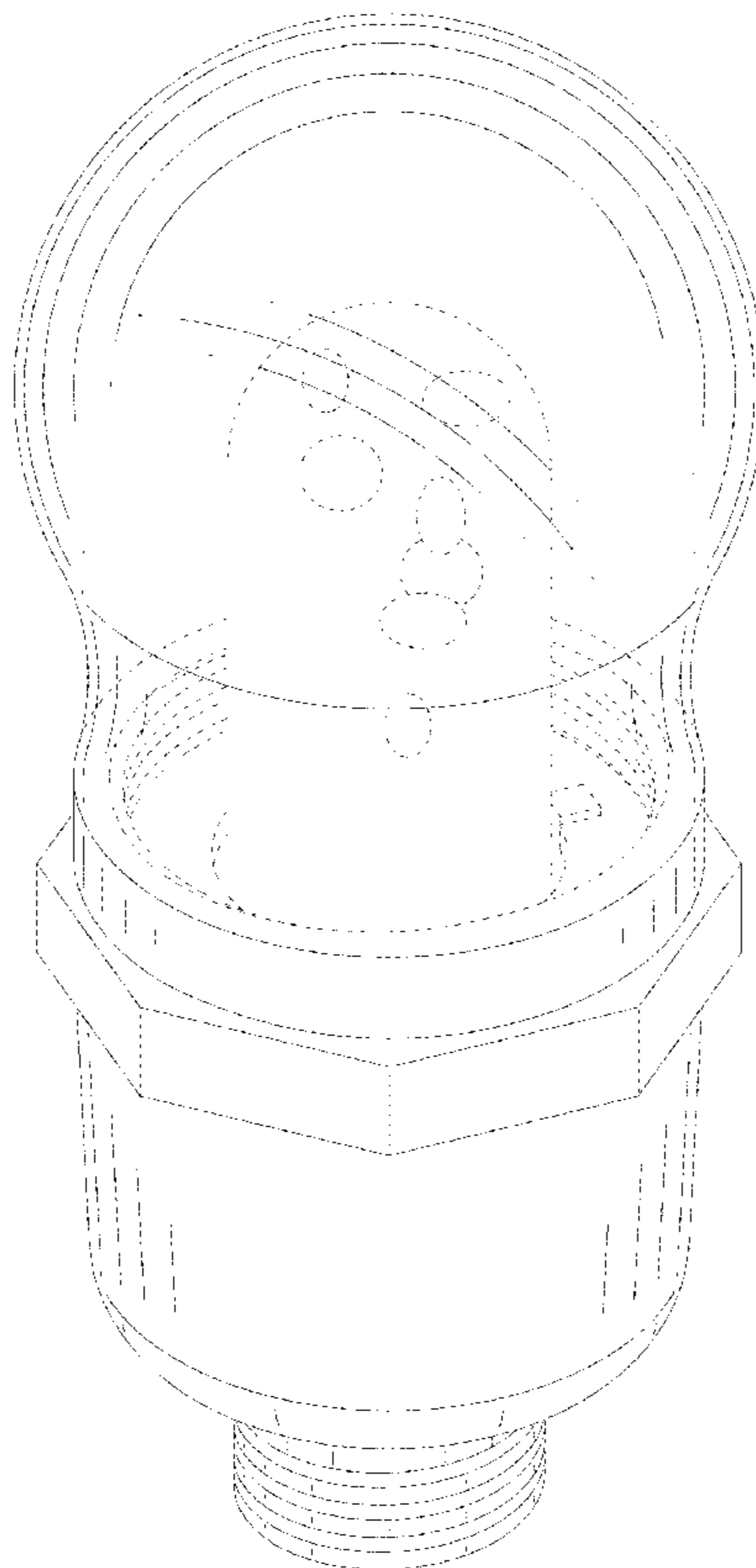
The broken lines in the drawings represent unclaimed environmental subject matter and form no part of the claim.

(56) **References Cited**

**U.S. PATENT DOCUMENTS**

D216,702 S \* 3/1970 Clough ..... D26/2  
D675,755 S \* 2/2013 Yamamoto ..... D26/2

**1 Claim, 8 Drawing Sheets**



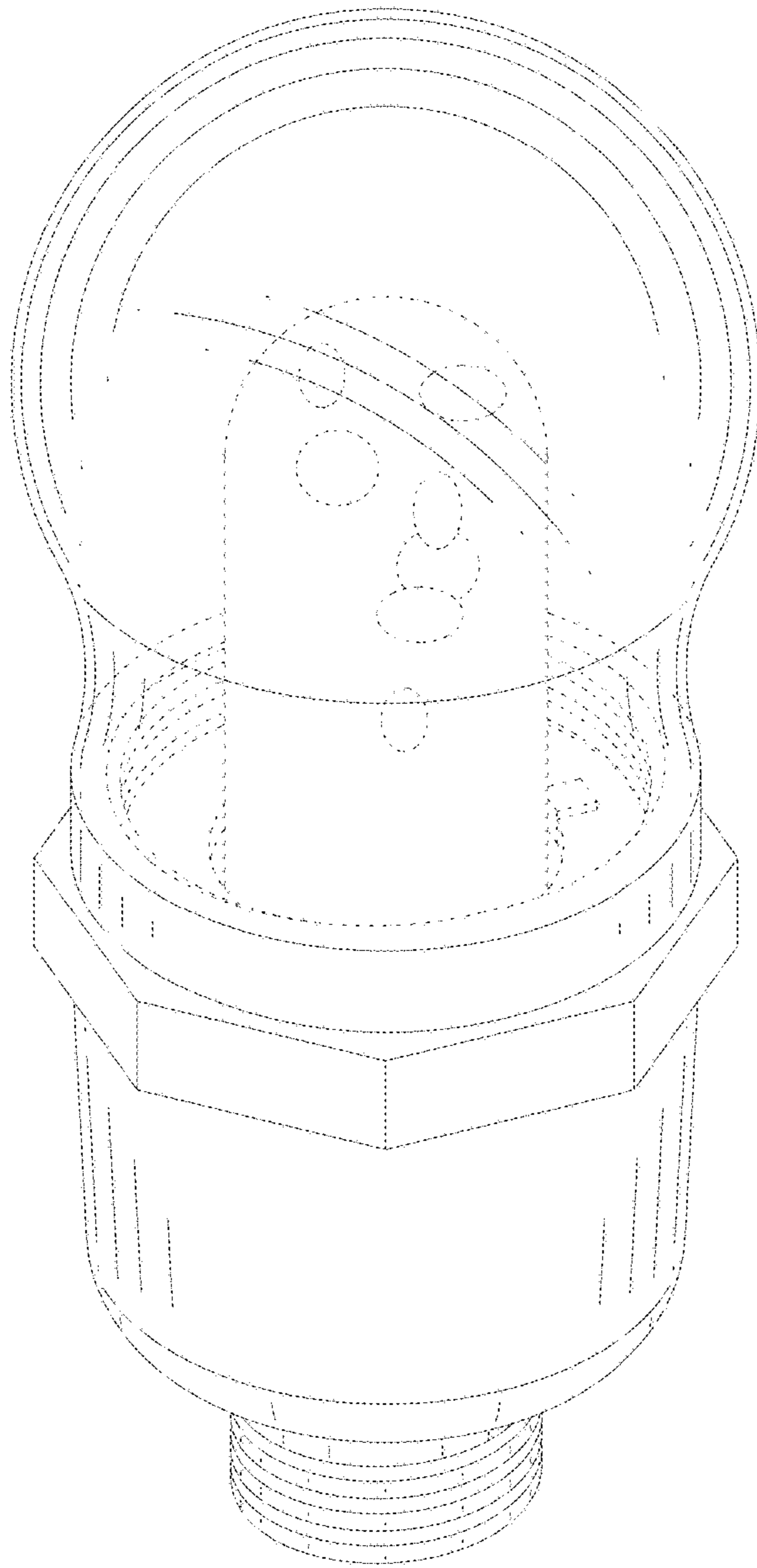


FIG. 1

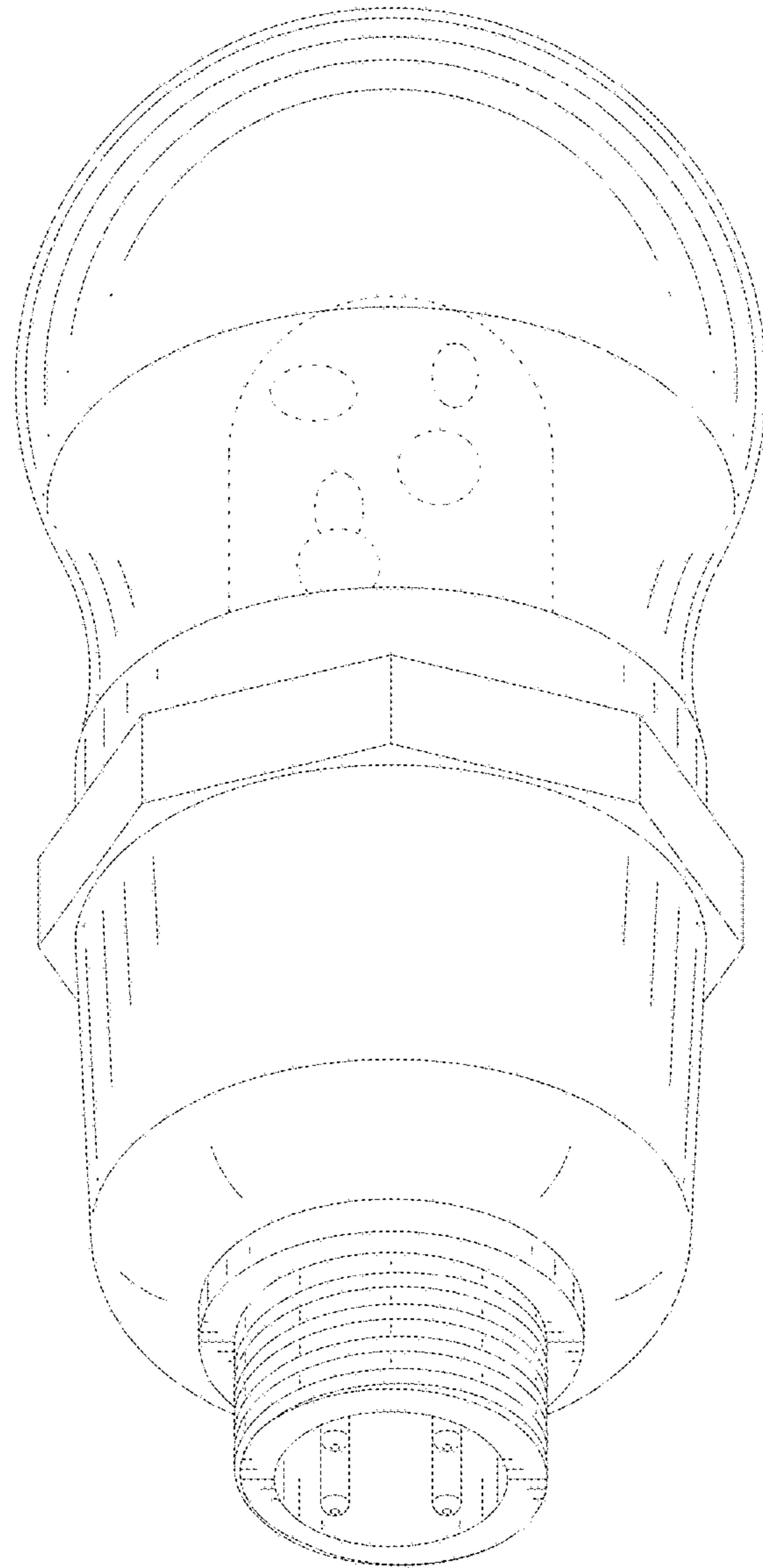


FIG.2

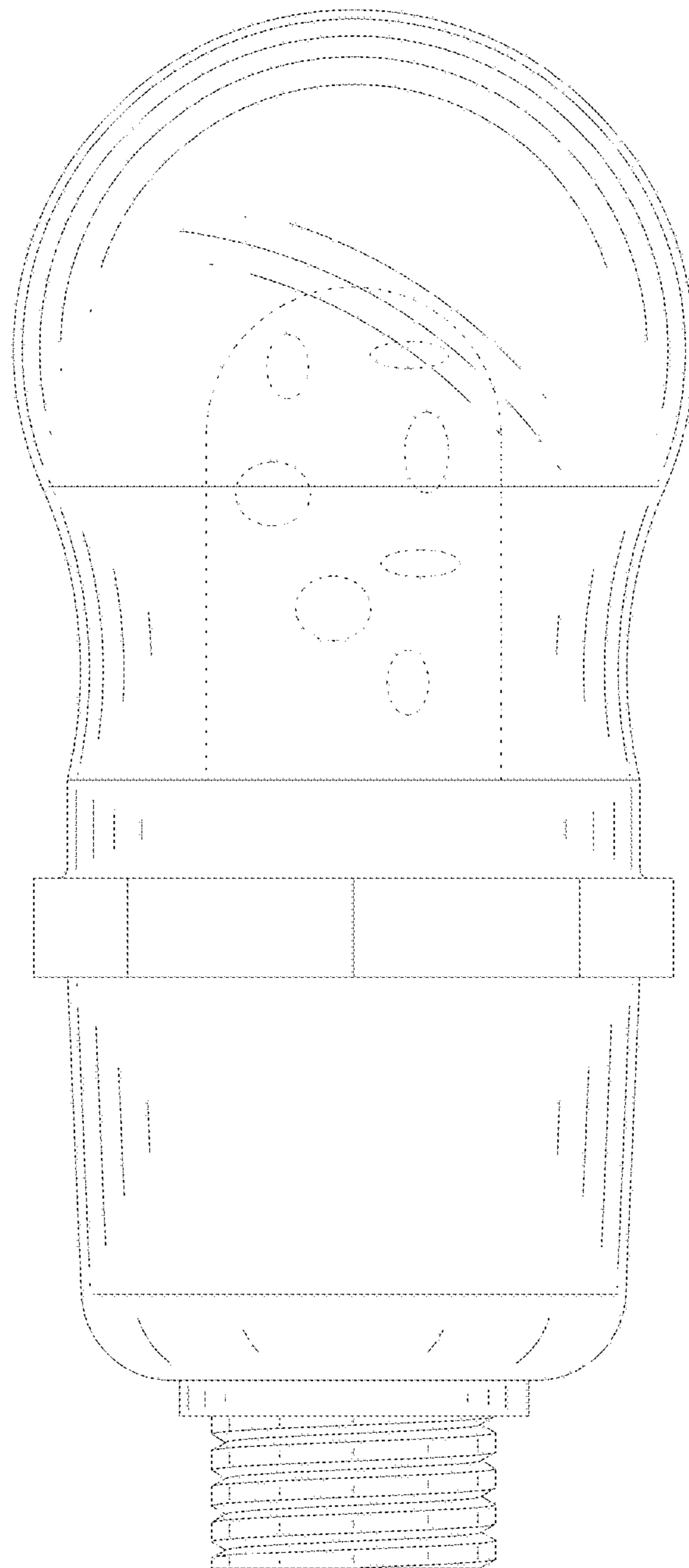


FIG.3

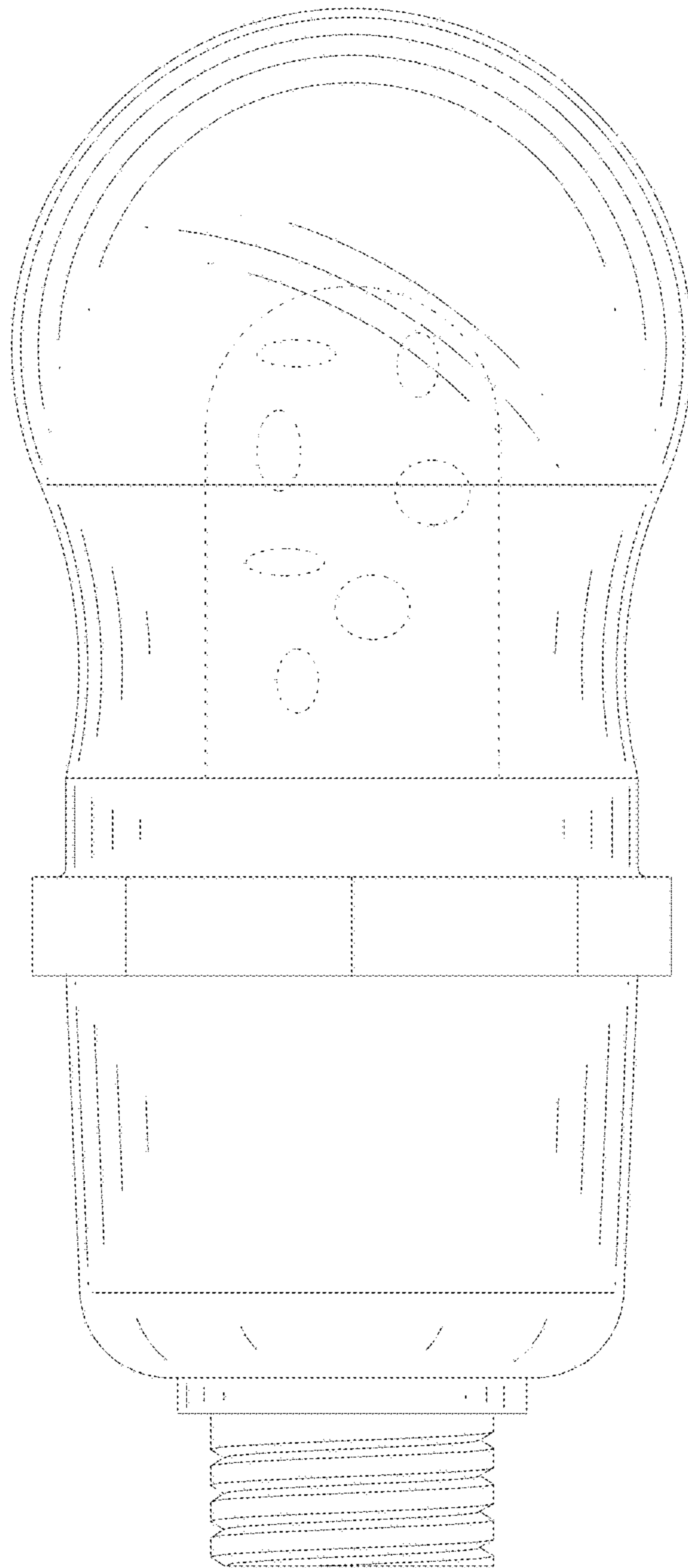


FIG.4

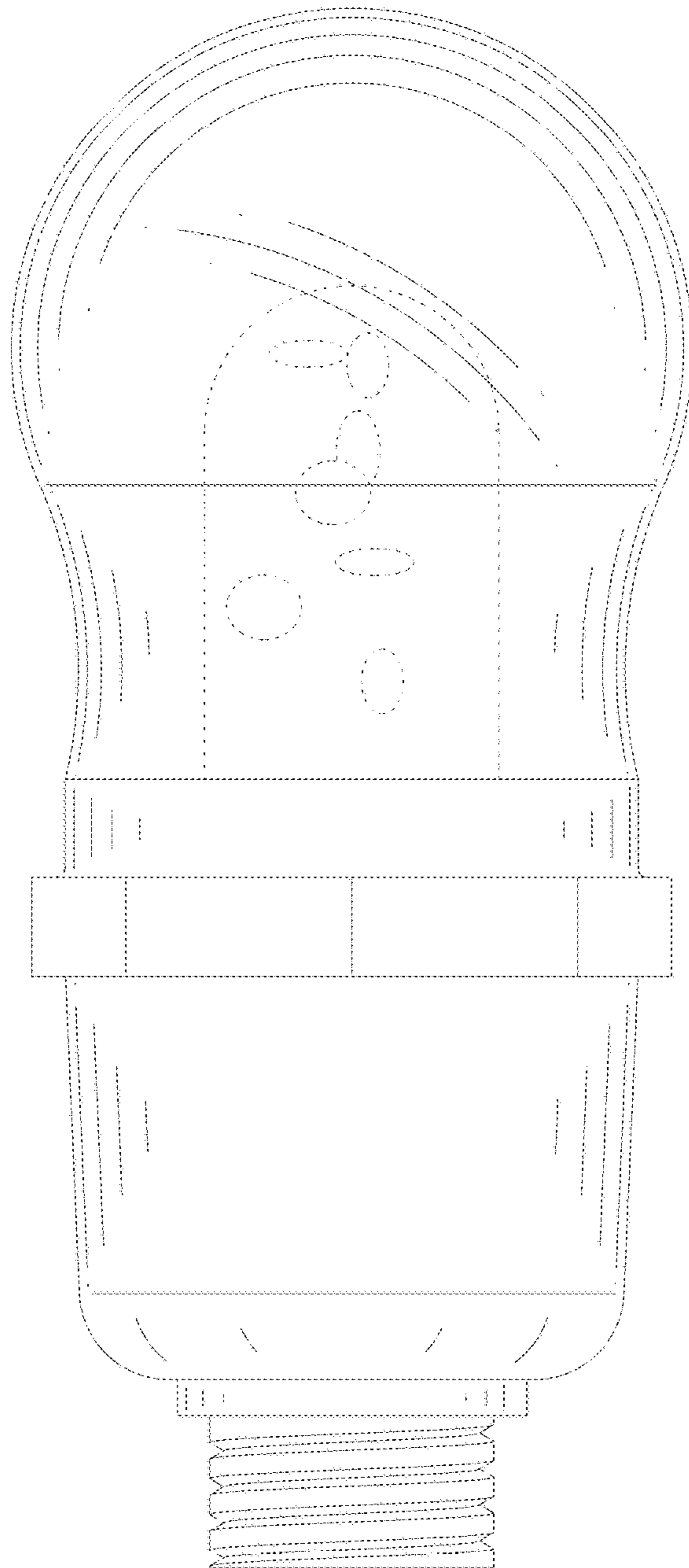


FIG.5

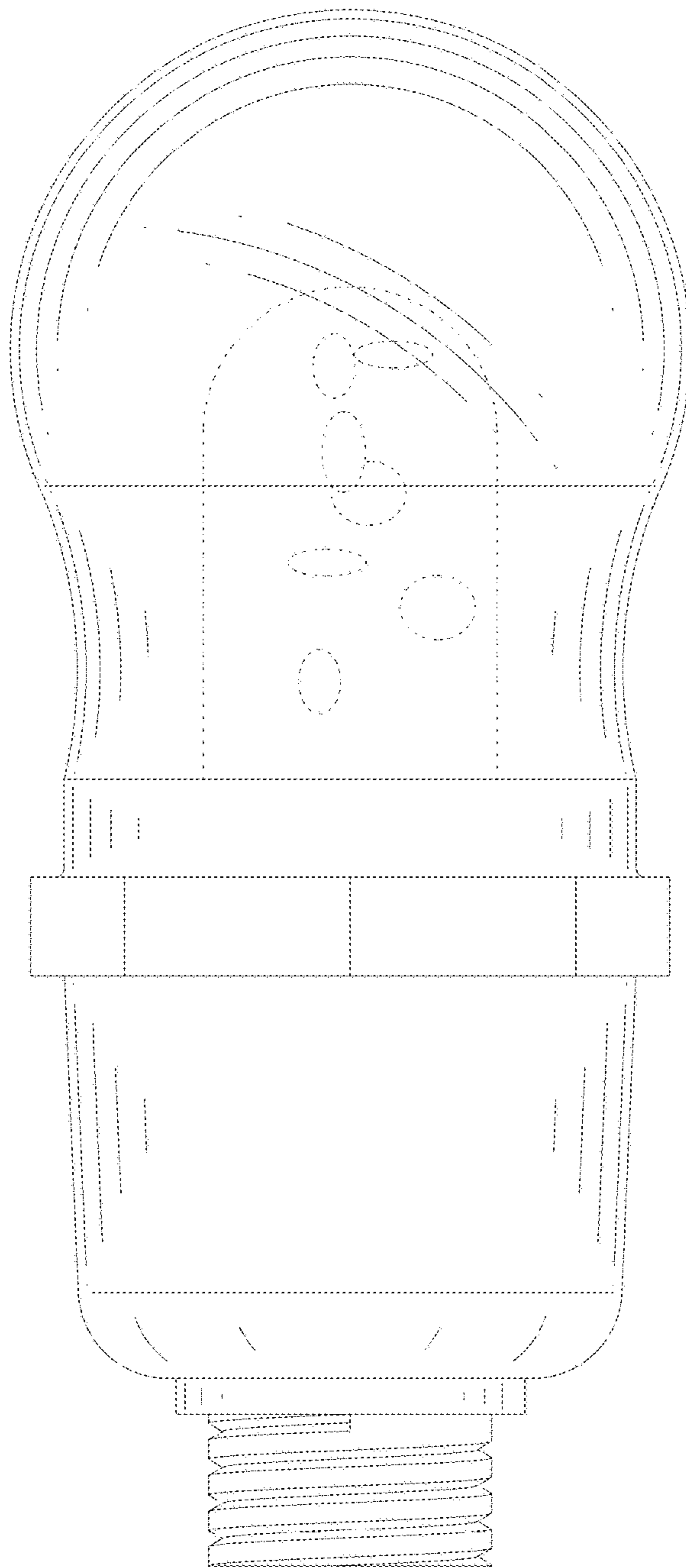


FIG. 6

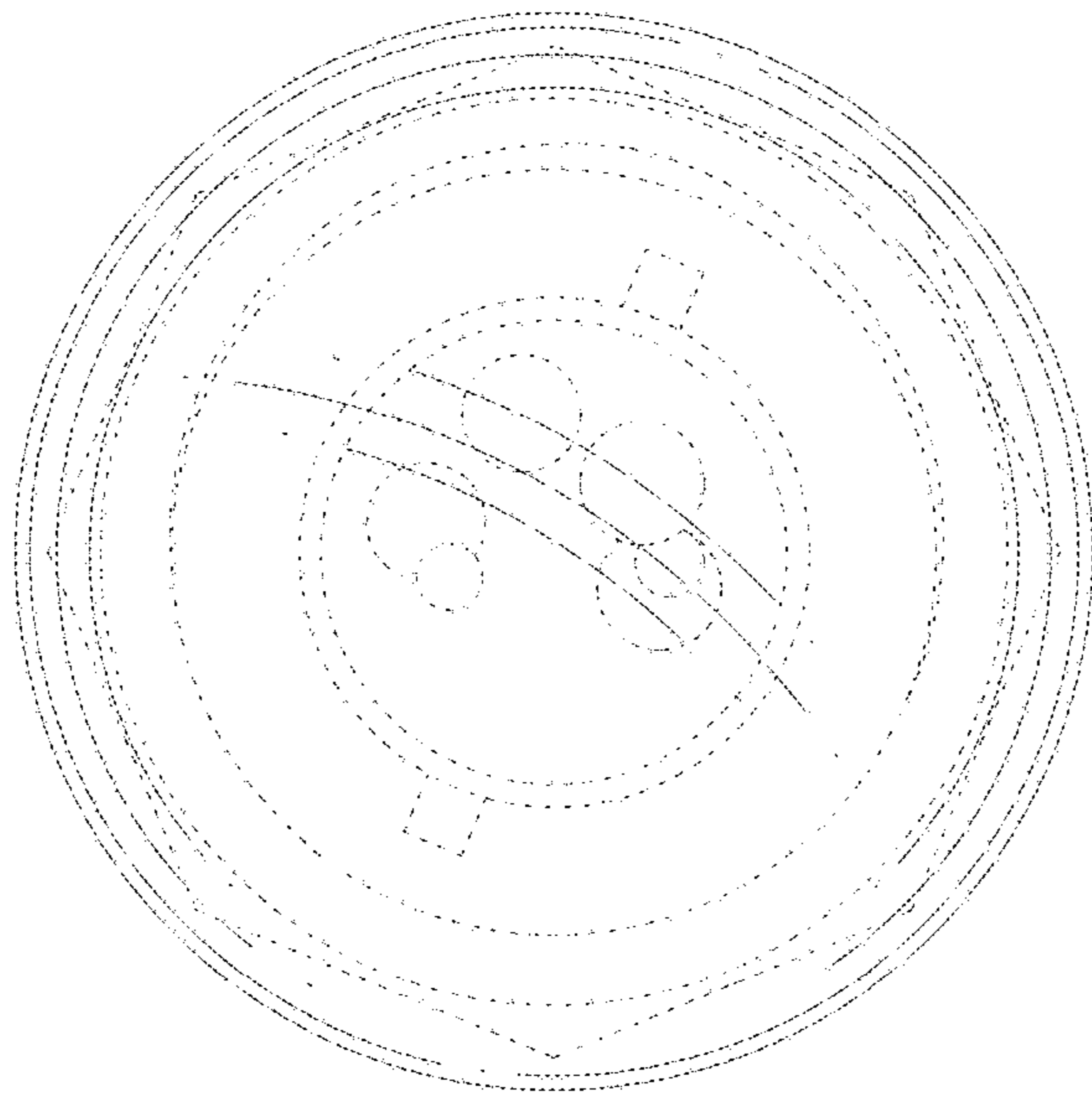


FIG. 7



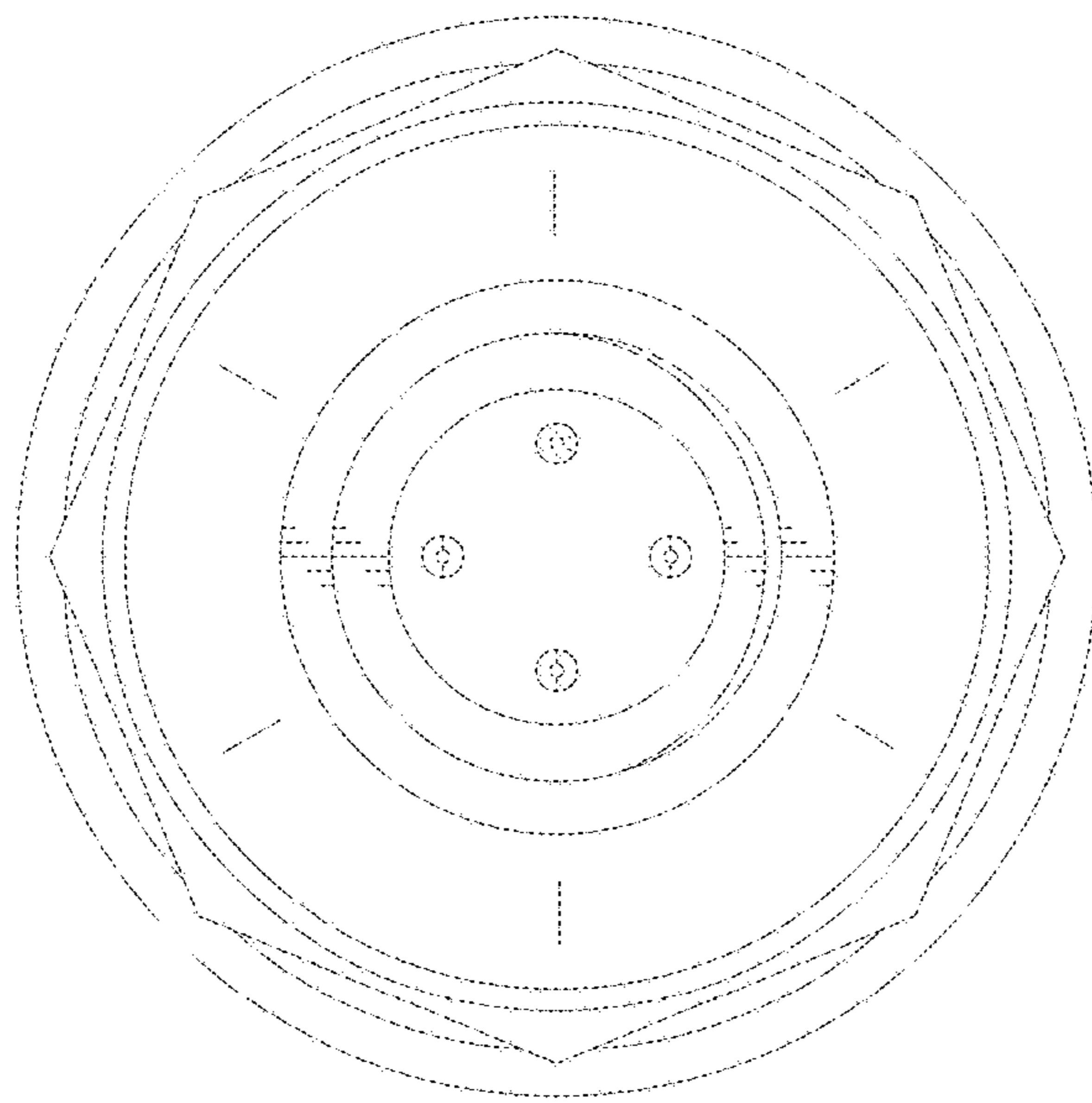


FIG. 8