



US00D847381S

(12) **United States Design Patent**  
**Ksiezopolski et al.**

(10) **Patent No.:** **US D847,381 S**

(45) **Date of Patent:** **\*\* Apr. 30, 2019**

- (54) **SELF SEALING CORNER TRIM**
- (71) Applicant: **LTI Flexible Products, Inc.**, Modesto, CA (US)
- (72) Inventors: **Edwin E Ksiezopolski**, Granger, IN (US); **Kevin J. Ksiezopolski**, Granger, IN (US)
- (\*\*) Term: **15 Years**
- (21) Appl. No.: **29/634,892**
- (22) Filed: **Jan. 25, 2018**
- (51) **LOC (11) Cl.** ..... **25-01**
- (52) **U.S. Cl.**  
USPC ..... **D25/119**
- (58) **Field of Classification Search**  
USPC ..... D25/119-126, 164, 199; D26/138; D15/190; D8/354  
CPC .. E06B 1/34; E06B 1/342; E04F 19/02; E04F 19/022; E04F 19/026; E04F 19/028; E04F 19/04; E04F 19/0486; E04F 19/06; E04F 19/061; E04F 19/062; E04F 19/065; E04F 19/066; E04F 19/067; E04F 2201/05; E04F 2201/0511; B60J 10/00; B60J 10/21; B60J 10/36; B60J 10/365; B60J 10/77  
See application file for complete search history.

4,512,118	A	*	4/1985	Rasmussen	.....	E06B 1/34
						52/241
D318,343	S	*	7/1991	Miller	.....	D25/119
D377,505	S	*	1/1997	Thompson	.....	D20/43
D489,463	S	*	5/2004	Barnett	.....	D25/119
D491,279	S	*	6/2004	Barnett	.....	D25/119
D491,280	S	*	6/2004	Barnett	.....	D25/119
D491,281	S	*	6/2004	Barnett	.....	D25/119
D525,371	S	*	7/2006	Levi-Senigaglia	.....	D25/119
D666,325	S	*	8/2012	Morton	.....	D25/119
D760,403	S	*	6/2016	Bilge	.....	D25/125
D802,799	S	*	11/2017	Walker	.....	D25/121
D810,962	S	*	2/2018	McGowan	.....	D25/119

\* cited by examiner

*Primary Examiner* — Cynthia Ramirez

*Assistant Examiner* — L. Martinez

(74) *Attorney, Agent, or Firm* — Botkin & Hall, LLP

(57) **CLAIM**

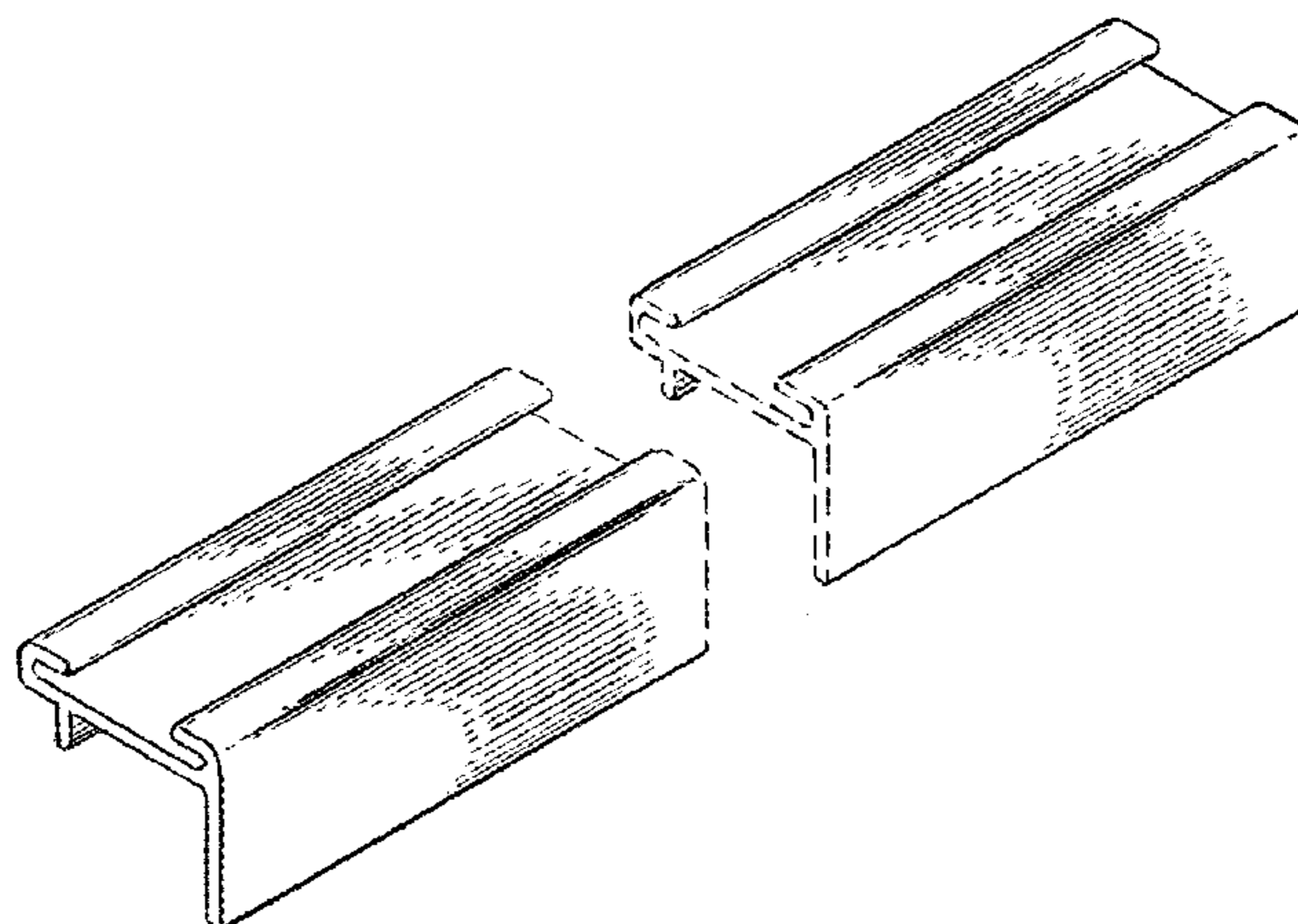
The ornamental design for a self-sealing corner trim, as shown and described.

**DESCRIPTION**

FIG. 1 is an isometric view of the self-sealing corner trim showing our new design;  
 FIG. 2 is a left side view of the self-sealing corner trim of FIG. 1, the right side view being a mirror image thereof;  
 FIG. 3 is a top view of the self-sealing corner trim of FIG. 1;  
 FIG. 4 is a front view of the self-sealing corner trim of FIG. 1;  
 FIG. 5 is a back view of the self-sealing corner trim of FIG. 1; and,  
 FIG. 6 is a bottom view of the self-sealing corner trim of FIG. 1.

The self-sealing corner trim is shown with a symbolic break in its length. The appearance of any portion of the self-sealing corner trim between the jagged break lines forms no part of the claimed design.

**1 Claim, 2 Drawing Sheets**



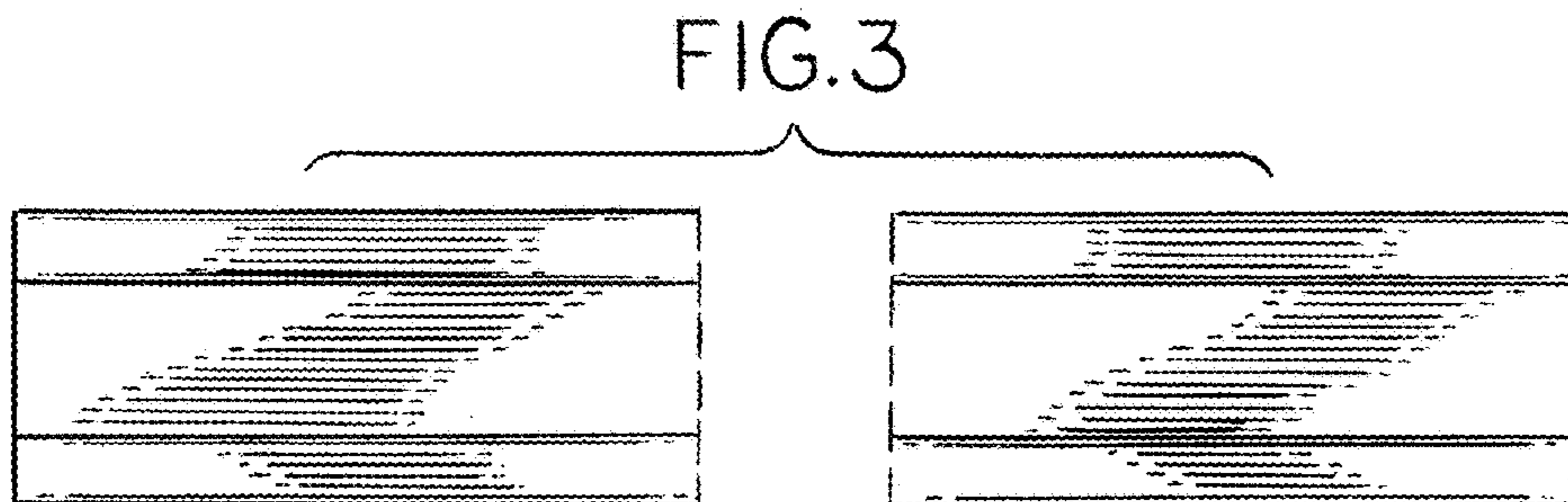
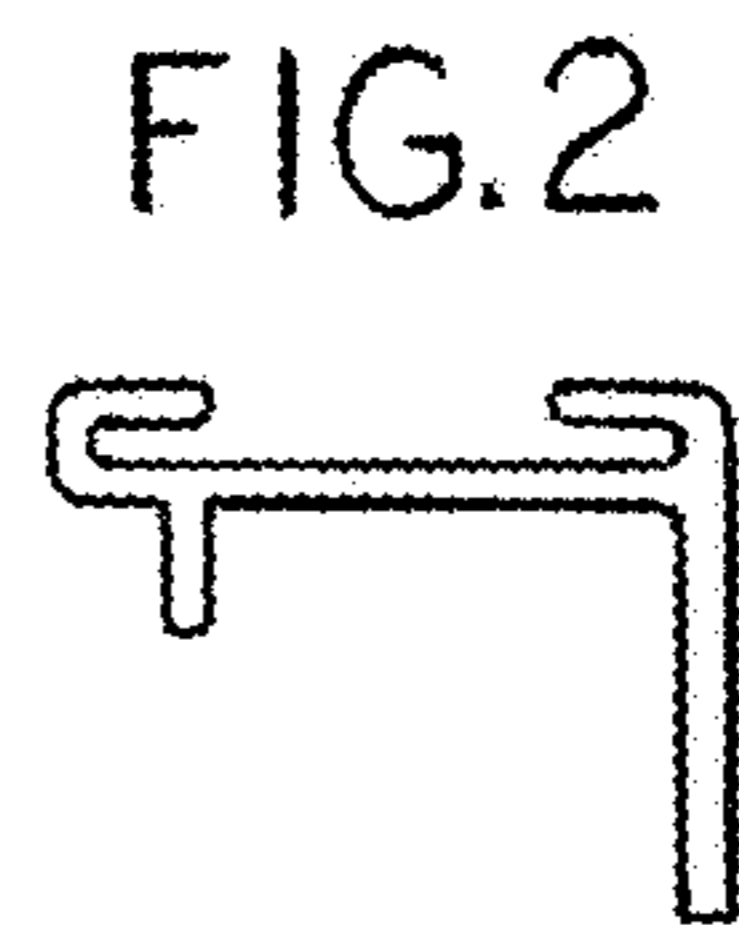
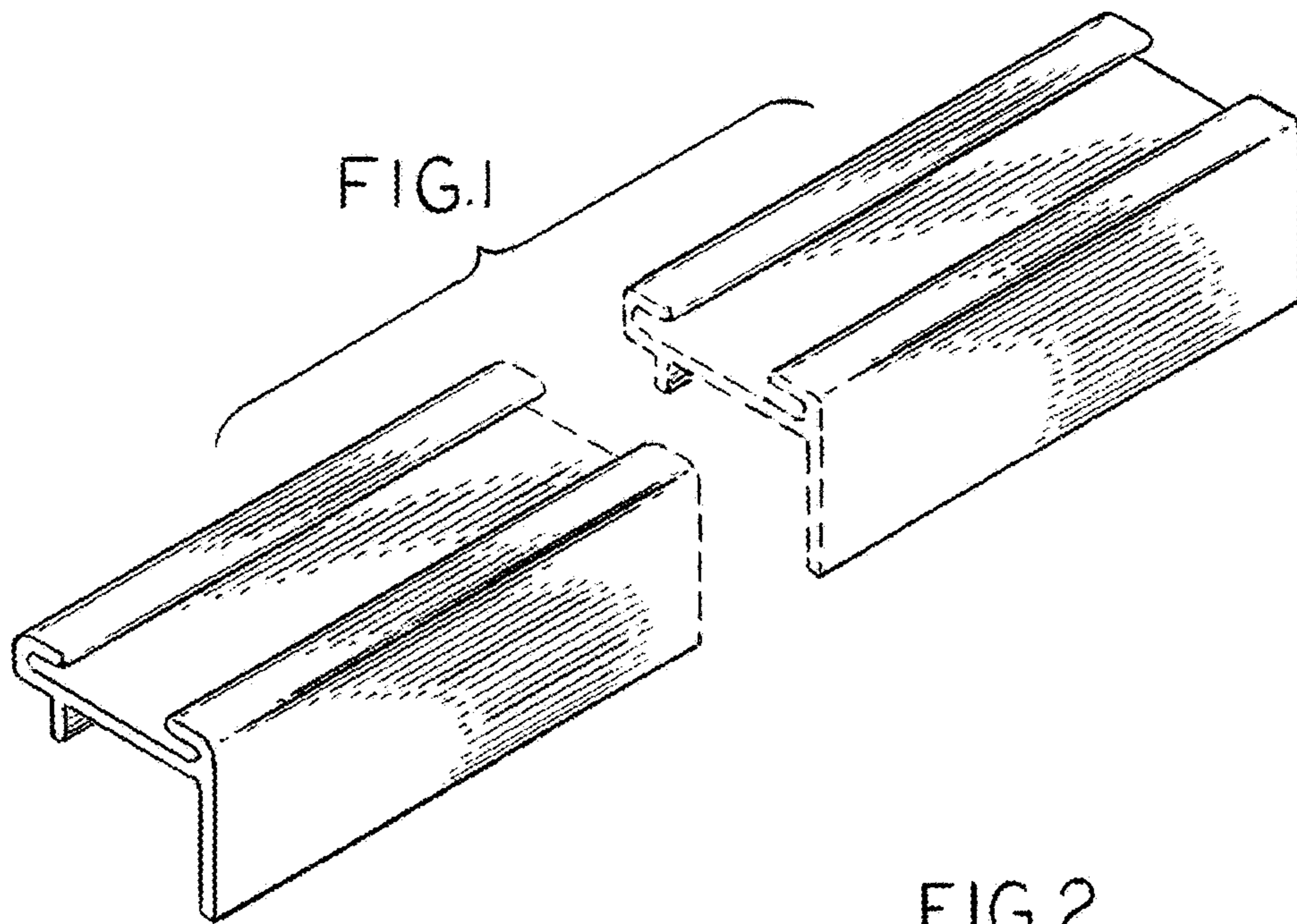


FIG.4

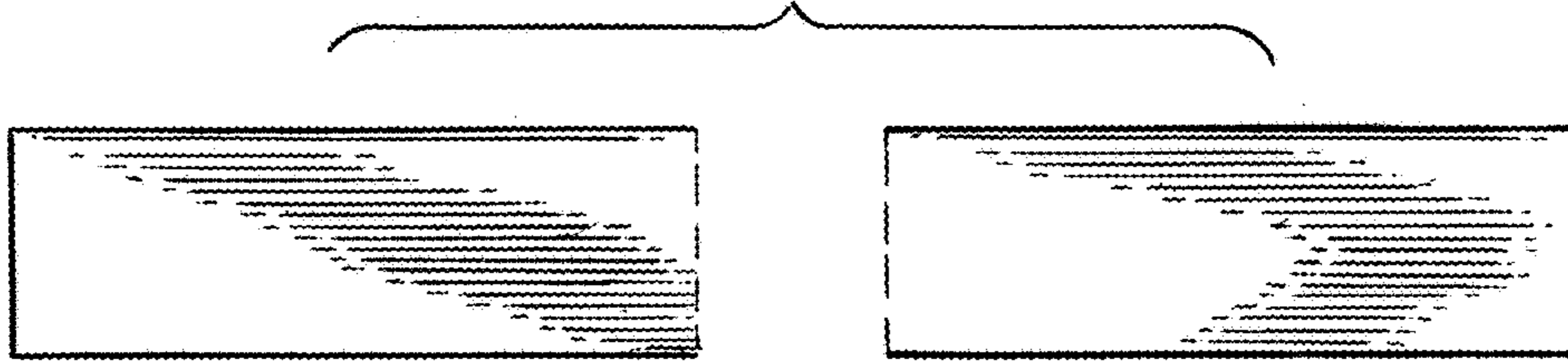


FIG.5

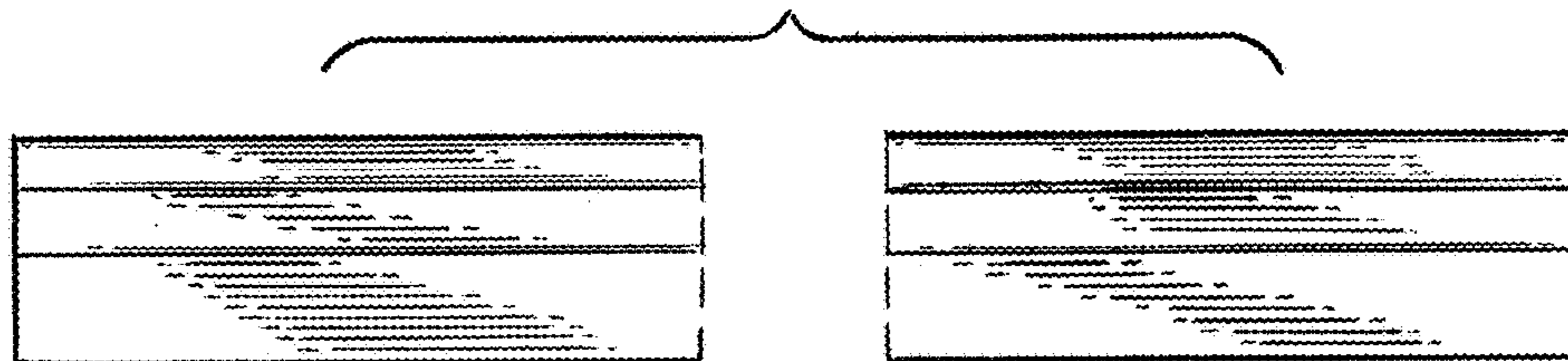


FIG.6

