



US00D847380S

(12) **United States Design Patent** (10) **Patent No.:** **US D847,380 S**
Singh (45) **Date of Patent:** **** *Apr. 30, 2019**

(54) **TRIM REVEAL EXTRUSION**
(71) Applicant: **Joshua George Singh**, Calgary (CA)
(72) Inventor: **Joshua George Singh**, Calgary (CA)
(*) Notice: This patent is subject to a terminal disclaimer.
(**) Term: **15 Years**
(21) Appl. No.: **29/615,436**
(22) Filed: **Aug. 29, 2017**
(51) **LOC (11) Cl.** **25-01**
(52) **U.S. Cl.**
USPC **D25/119**
(58) **Field of Classification Search**
USPC D25/119-126, 136, 164, 199; D26/138;
D8/349, 354, 376, 377, 380, 381, 382;
D6/702, 705, 705.6, 709, 709.2, 712
CPC E04F 19/02; E04F 19/022; E04F 19/024;
E04F 19/026; E04F 19/028; E04F 19/04;
E04F 19/0436; E04F 19/0459; E04F
19/0463; E04F 19/0468; E04F 19/0481;
E04F 19/0486; E04F 19/049; E04F
19/0495; E04F 19/06; E04F 19/061; E04F
19/062; E04F 19/063; E04F 19/064; E04F
19/065; E04F 19/066; E04F 19/067; E04F
19/068; E04F 2019/0413; E04F
2019/0454; E04F 13/21; E04F 13/26;
E04F 13/28; E04C 3/00; E04C 3/005;
E04C 3/02; E04C 3/04; E06B 1/00; E06B
1/02; E06B 1/04; E06B 1/045; E06B
1/12; E06B 1/26; E06B 1/28; E06B 1/30;
E06B 1/32; E06B 1/34; E06B 1/342;
E06B 1/36; E06B 1/52
See application file for complete search history.

6,341,458 B1 * 1/2002 Burt E04F 19/061
D25/119
D653,524 S * 2/2012 Meyer D8/354
D690,436 S * 9/2013 Elizarraras D25/136
D700,360 S * 2/2014 Elizarraras D25/136
8,776,376 B2 * 7/2014 Williams E04F 19/022
52/256
9,303,413 B2 * 4/2016 Koenig, Jr. E04F 19/022
D789,561 S * 6/2017 Singh D25/121
D807,571 S * 1/2018 Klus D26/138
D814,055 S * 3/2018 Singh D25/119
D814,059 S * 3/2018 Singh D25/119

* cited by examiner

Primary Examiner — Cynthia Ramirez
Assistant Examiner — L. Martinez
(74) *Attorney, Agent, or Firm* — Tai W Nahm; Miller
Thomson LLP

(57) **CLAIM**

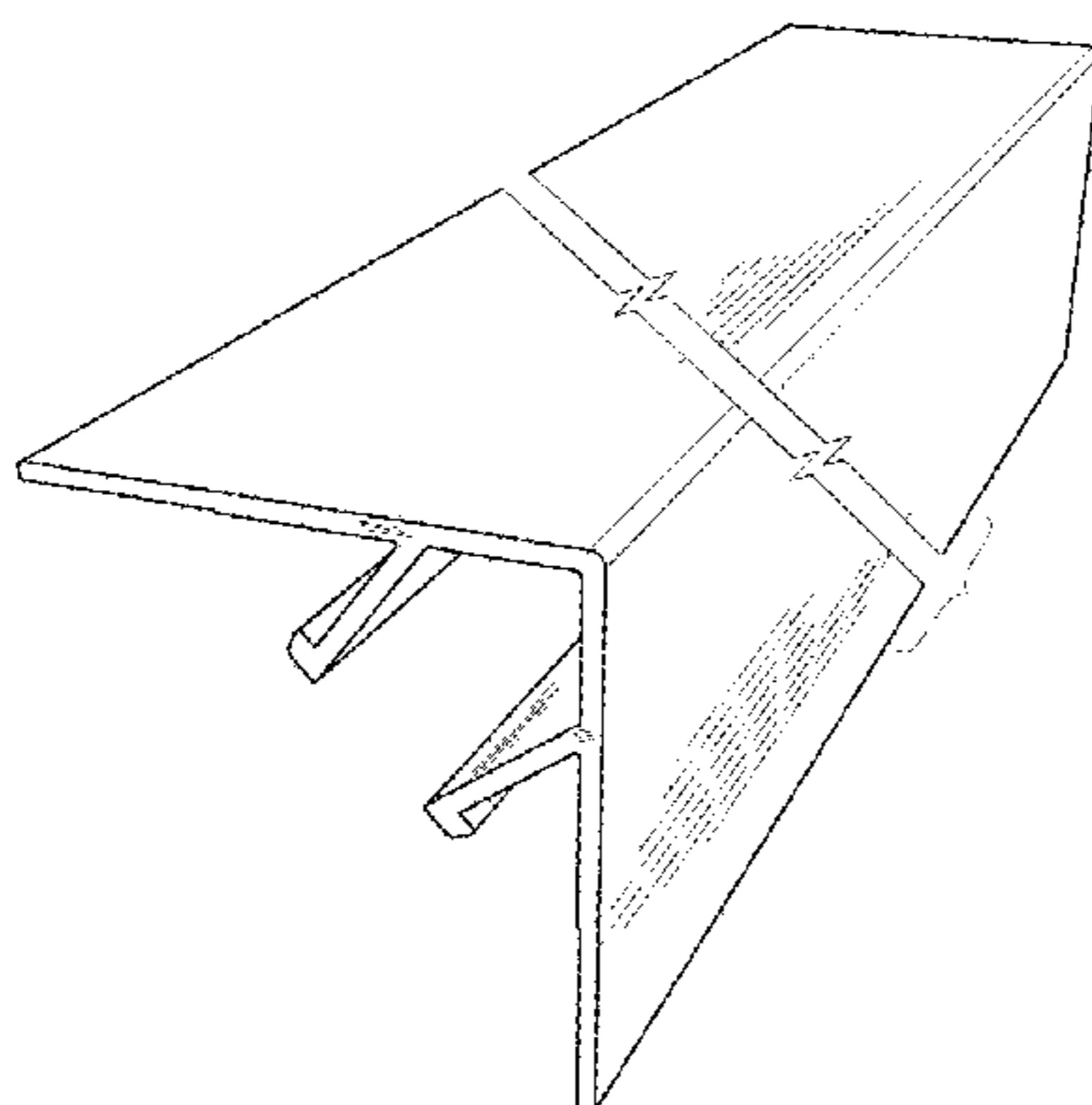
The ornamental design for a trim reveal extrusion, as shown and described.

DESCRIPTION

FIG. 1 is a first perspective view of the trim reveal extrusion showing my new design.
FIG. 2 is another perspective view thereof.
FIG. 3 is an end elevational view thereof; and,
FIG. 4 is another end elevation view thereof, showing the trim reveal extrusion in a condition of use.
The broken lines in the drawings illustrate environmental subject matter only and form no part of the claimed design.
The trim reveal extrusion is shown with a symbolic break in its length. The appearance of any portion of the trim reveal extrusion between the break lines forms no part of the claimed design.

1 Claim, 2 Drawing Sheets

(56) **References Cited**
U.S. PATENT DOCUMENTS
D263,759 S * 4/1982 Dallaire D25/119
6,311,442 B1 * 11/2001 Watanabe E04F 19/022
52/278



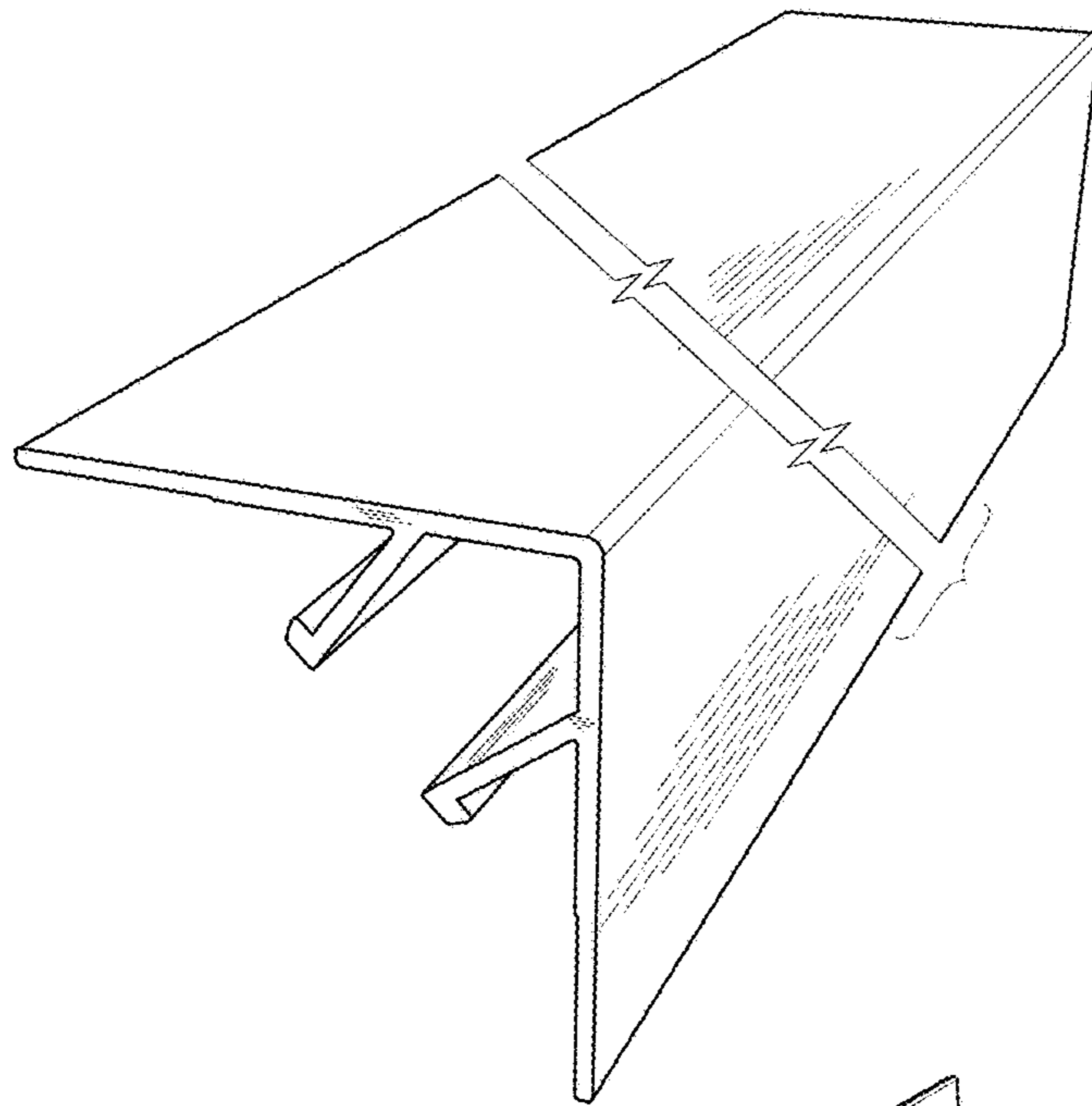


FIG. 1

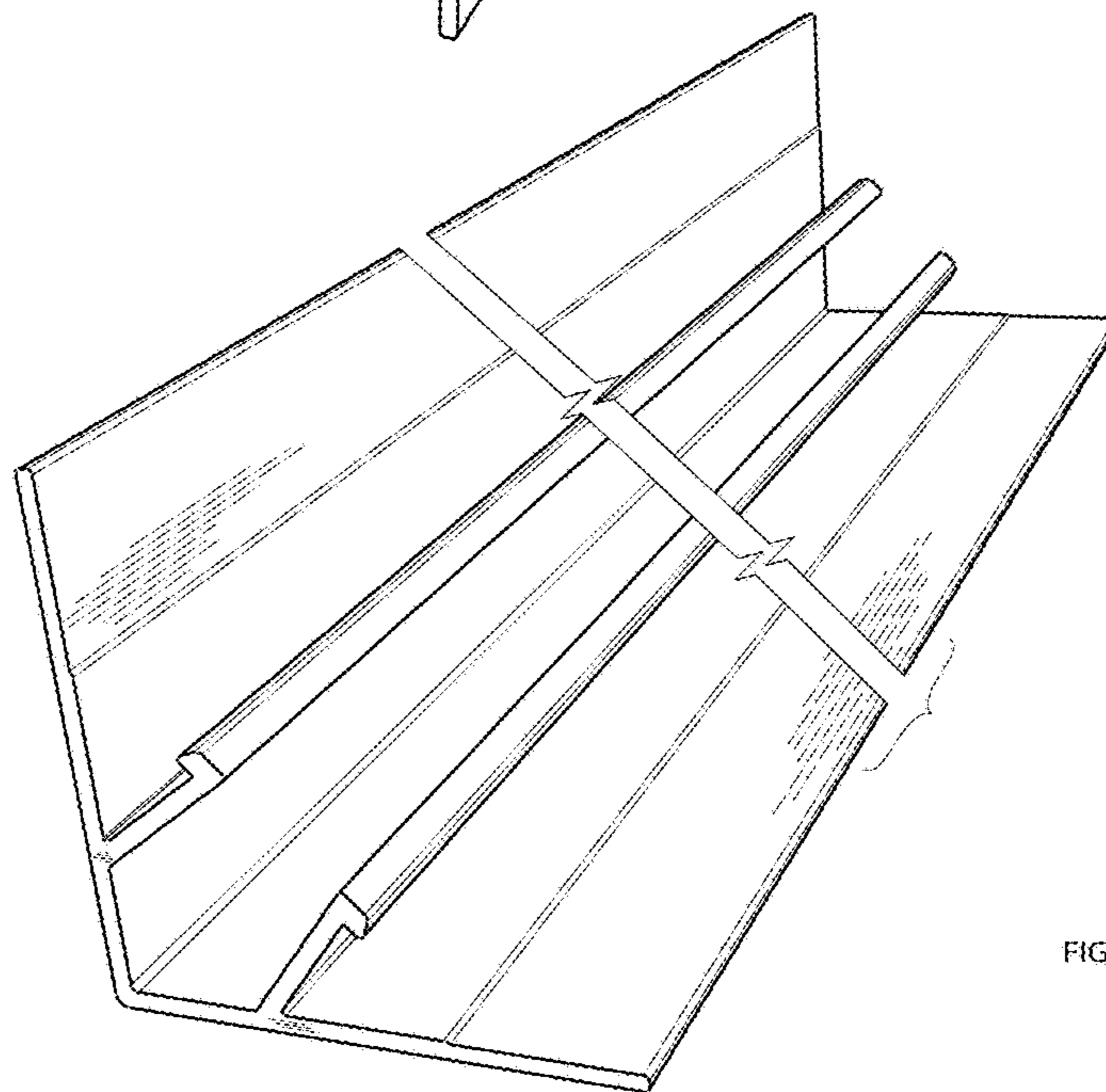


FIG. 2

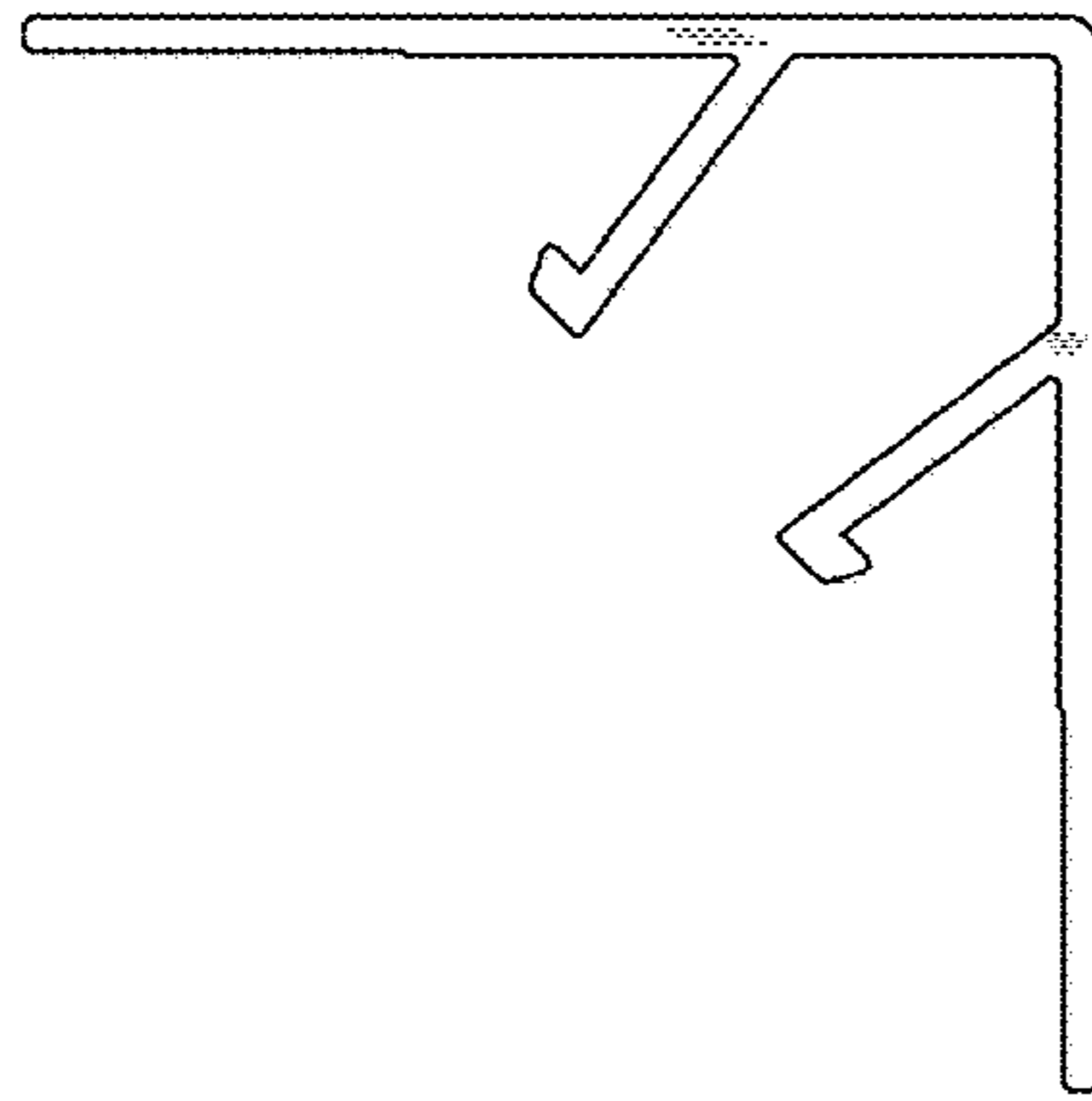


FIG. 3

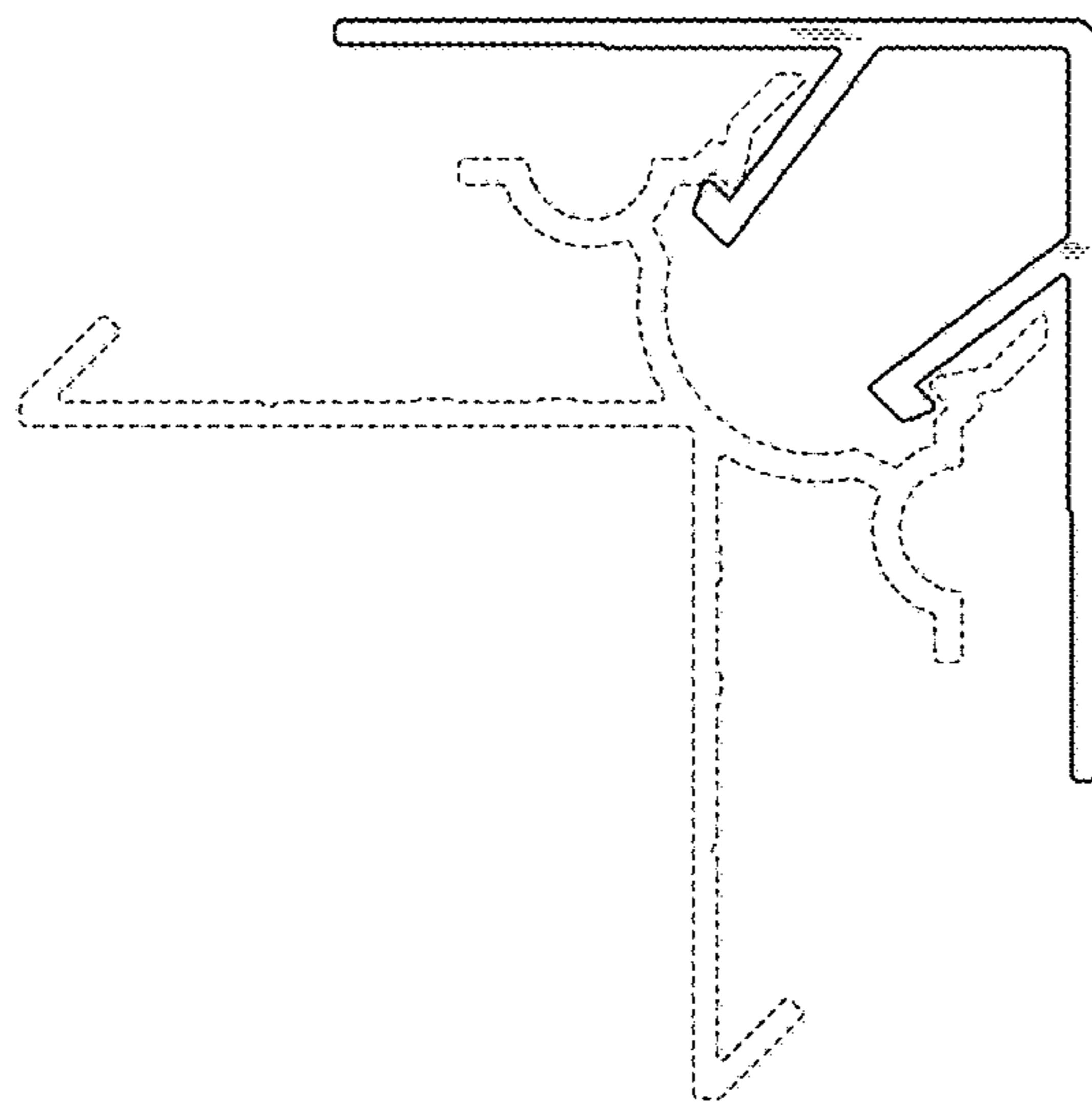


FIG. 4