



US00D847378S

(12) **United States Design Patent**
O’Goshi Lim

(10) **Patent No.:** **US D847,378 S**

(45) **Date of Patent:** **** Apr. 30, 2019**

(54) **VOID FORMER**

(71) Applicant: **NXT IP Pty Ltd**, Perth (AU)

(72) Inventor: **Matakii O’Goshi Lim**, Perth (AU)

(73) Assignee: **NXT IP PTY LTD**, Perth (AU)

(**) Term: **15 Years**

(21) Appl. No.: **29/616,649**

(22) Filed: **Sep. 7, 2017**

(30) **Foreign Application Priority Data**

Mar. 7, 2017 (AU) 201711371

(51) **LOC (11) Cl.** **25-01**

(52) **U.S. Cl.**
USPC **D25/61**; D25/138

(58) **Field of Classification Search**
USPC D25/55, 61, 62, 66, 68, 138, 152, 153,
D25/154, 155, 157, 160, 199
CPC E04B 1/19; E04B 1/20; E04B 1/30; E04B
5/21; E04B 5/36; E04B 5/48; E04B
5/326; E04C 5/20; E04C 5/0627; E04C
5/0636; E04C 2/08; E04C 2/326; E04F
2201/0146; E04F 2201/021; E04F 15/22;
E04F 15/02429; E04G 11/46; E04G
11/48; B28B 23/005

See application file for complete search history.

(56) **References Cited**

U.S. PATENT DOCUMENTS

1,603,623 A * 10/1926 Millis E04B 1/19
52/259
1,948,691 A * 2/1934 Bauer E04B 1/20
52/649.6
3,220,152 A * 11/1965 Sturm E04B 1/19
446/125
3,328,932 A * 7/1967 Cheskin E04G 11/46
156/221

4,161,088 A * 7/1979 Gugliotta E04B 1/19
403/176
4,183,190 A * 1/1980 Bance E04B 1/19
52/655.2
4,207,964 A * 6/1980 Taguchi E04B 1/84
181/210
4,411,121 A * 10/1983 Blacklin E04C 2/326
52/630
4,423,762 A * 1/1984 Trinkl B22C 9/088
164/137
4,574,869 A * 3/1986 Trinkl B22C 9/088
164/349

(Continued)

FOREIGN PATENT DOCUMENTS

EM 004243525-0001 * 9/2017

OTHER PUBLICATIONS

<https://static1.squarespace.com/static/5360ba9ce4b05d1feab96e66/t/5ab85eb42b6a28ac08f2c7a1/1522032352626/180316+NXT+Portfolio.pdf> (Year: 2018).*

(Continued)

Primary Examiner — Leanne Was-Englehart
(74) *Attorney, Agent, or Firm* — Pearl Cohen Zedek
Latzler Baratz LLP

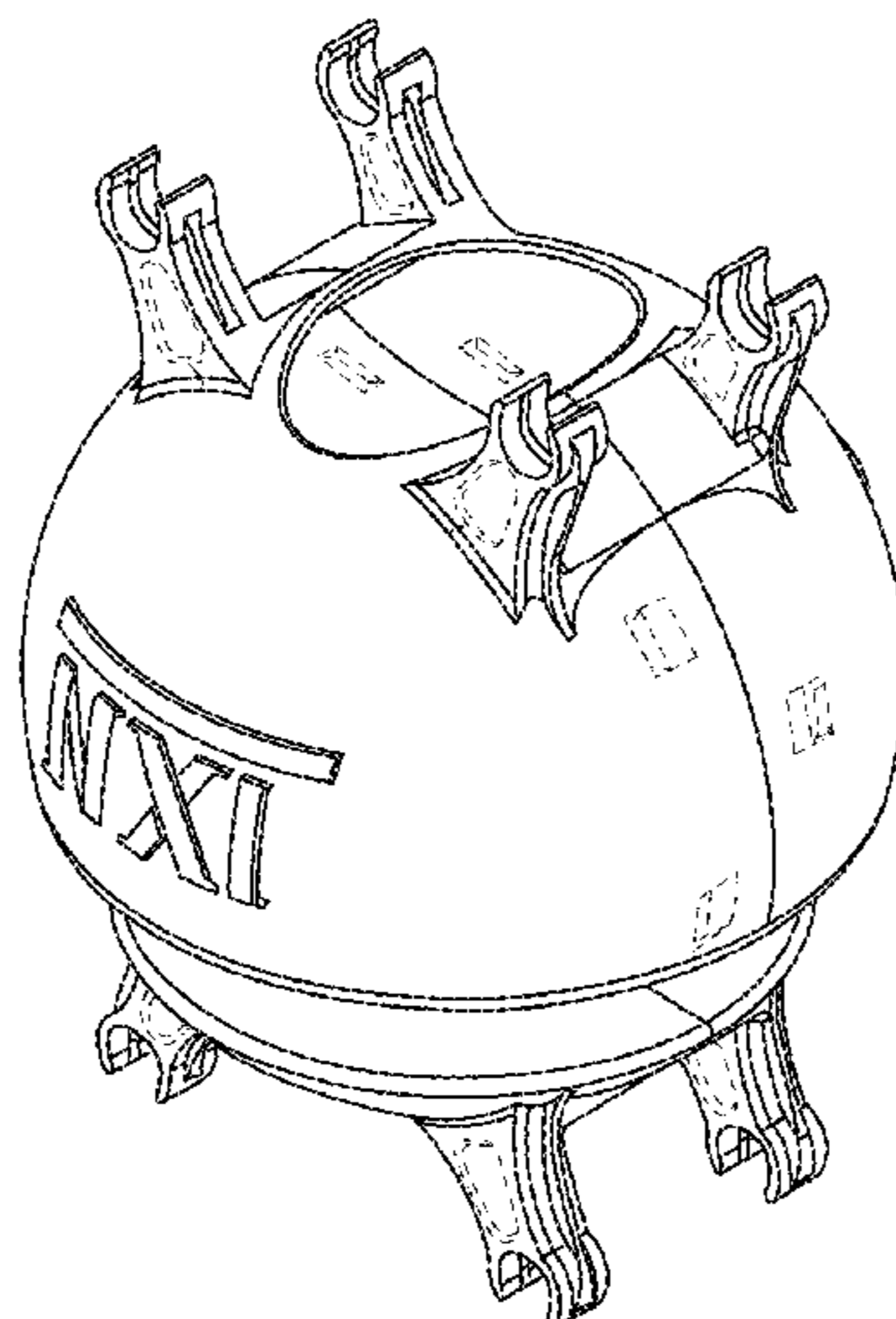
(57) **CLAIM**

The ornamental design for a void former, as shown and described.

DESCRIPTION

FIG. 1 is a side view thereof;
FIG. 2 is a top view thereof;
FIG. 3 is a bottom view thereof;
FIG. 4 is a front elevation view thereof; and,
FIG. 5 is an isometric view thereof.
The broken lines depict portions of the void former that form no part of the claimed design.

1 Claim, 5 Drawing Sheets



(56)

References Cited

U.S. PATENT DOCUMENTS

4,905,437 A * 3/1990 Heather E04F 15/02447
52/220.3
5,052,157 A * 10/1991 Ducroux E04F 15/02411
52/126.6
5,090,169 A * 2/1992 Takeda E04F 15/02405
52/220.3
5,105,595 A * 4/1992 Tokei E04B 5/48
52/169.5
5,277,010 A * 1/1994 Stephenson E04F 15/225
52/403.1
5,499,476 A * 3/1996 Adams E04F 15/02452
248/248
5,572,842 A * 11/1996 Stief E04F 15/02429
52/144
D451,611 S * 12/2001 Pontarolo D25/119
6,370,831 B1 * 4/2002 Marshall E04F 15/02405
52/126.1
6,418,862 B1 * 7/2002 Heil B65D 19/0028
108/57.12
6,460,824 B1 * 10/2002 Lancelot, III B28B 23/005
249/183
6,857,230 B2 * 2/2005 Owen E04F 15/0247
248/188.8
8,720,350 B2 * 5/2014 Bush B65D 19/0073
108/57.12
9,133,628 B2 * 9/2015 Moller, Jr. E04F 15/225
9,279,243 B2 * 3/2016 Caboni E02D 27/34

D797,957 S * 9/2017 Larson F24D 13/024
D25/160
9,874,029 B2 * 1/2018 Kugler E04F 15/02405
D813,421 S * 3/2018 Larson D25/157
2004/0134157 A1 * 7/2004 Hoberman A63H 31/00
52/633
2004/0194411 A1 * 10/2004 Olsson E04B 1/19
52/633
2006/0160446 A1 * 7/2006 Lanahan E04B 1/19
442/59
2007/0214740 A1 * 9/2007 Oz'Grady E04B 5/21
52/577
2010/0115883 A1 * 5/2010 Tahric E04C 2/326
52/793.1
2017/0022699 A1 * 1/2017 Lim E04C 2/296

OTHER PUBLICATIONS

<https://lectura.press/en/article/cobias-to-demonstrate-the-lightness-of-rein-forced-concrete-at-the-bau-2017/34195> Nov. 18, 2016 (Year: 2016).*

<https://civil-eng-blog.blogspot.com/2015/01/cobias-void-former-nmodules.html> Jan. 2015 (Year: 2015).*

<http://exclusive.multibriefs.com/content/emerging-green-building-material-technologies-to-watch/construction-building-materials> Oct. 21, 2013 (Year: 2013).*

<https://www.theconstructionindex.co.uk/news/view/warwick-naic-pioneers-bubble-deck-void-forming-system> Feb. 17, 2017 (Year: 2017).*

* cited by examiner

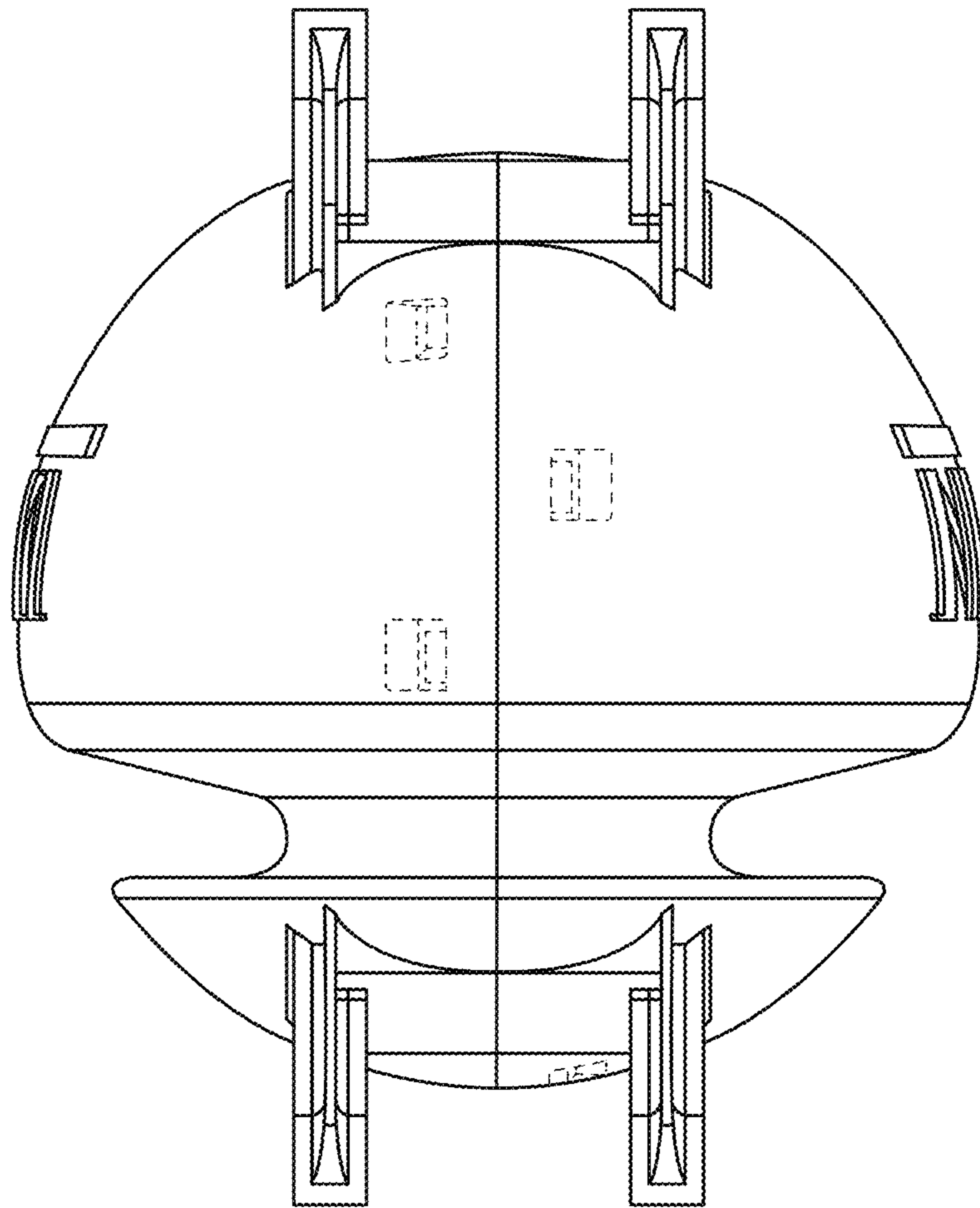


FIG. 1

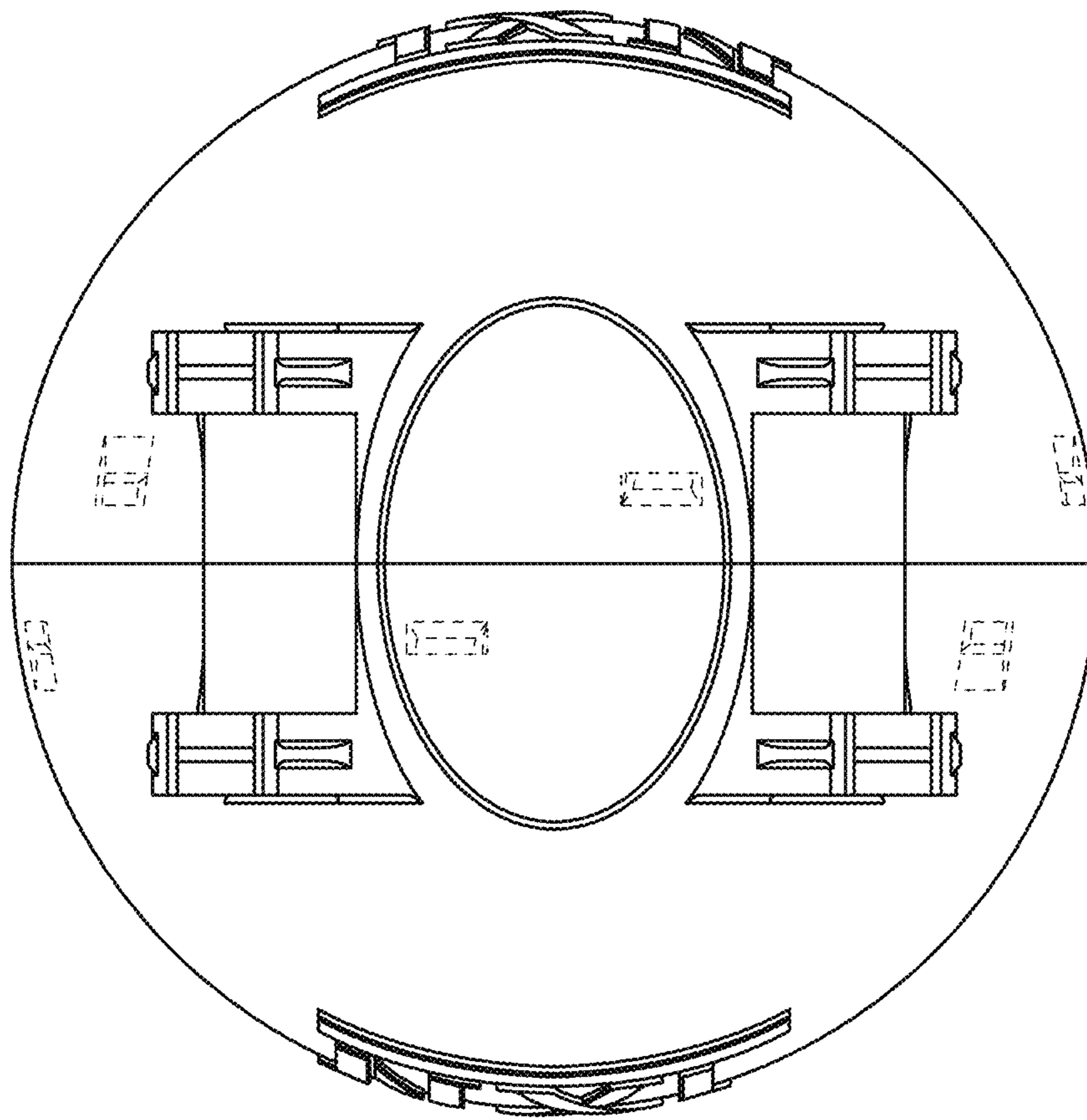


FIG. 2

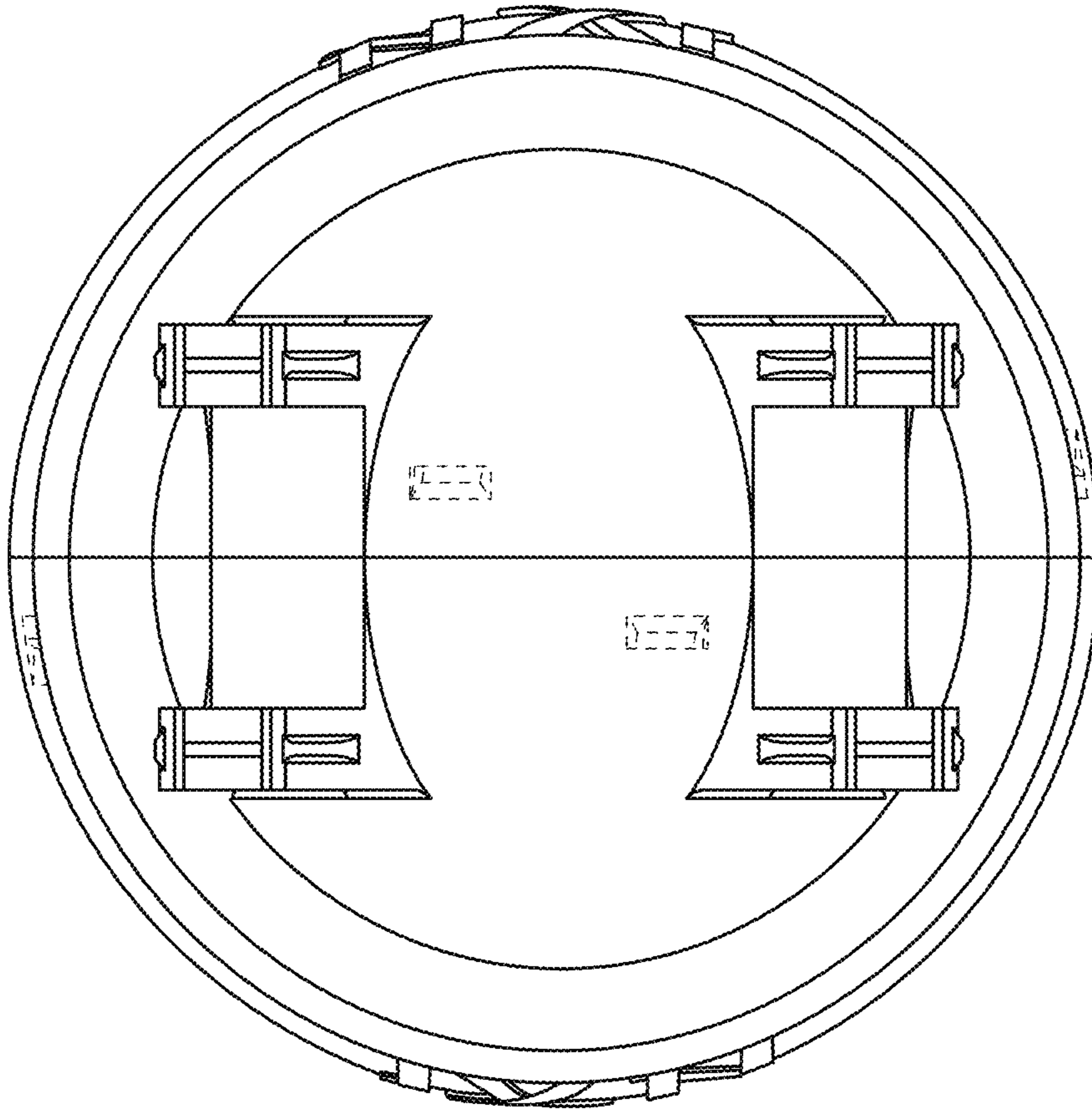


FIG. 3

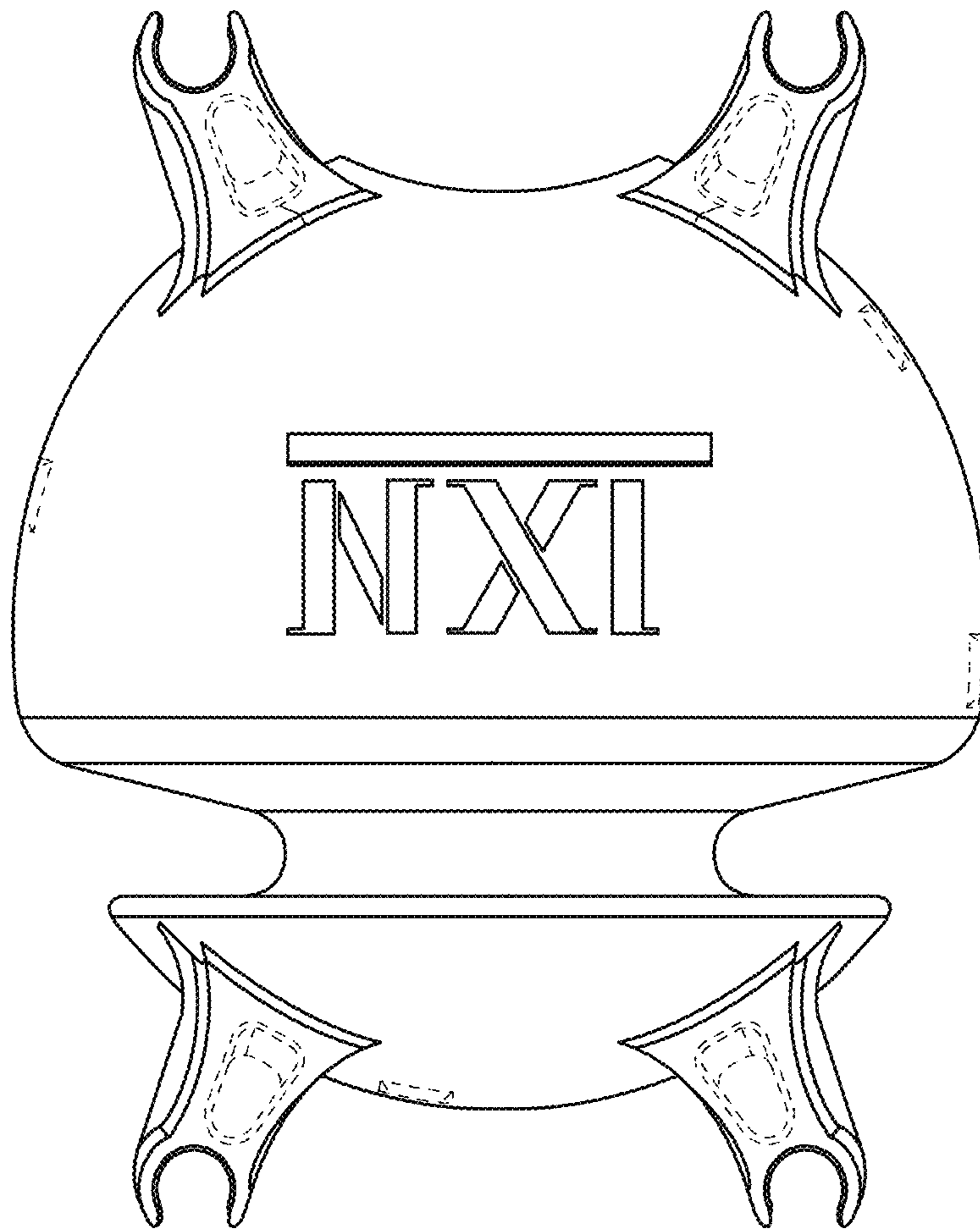


FIG. 4

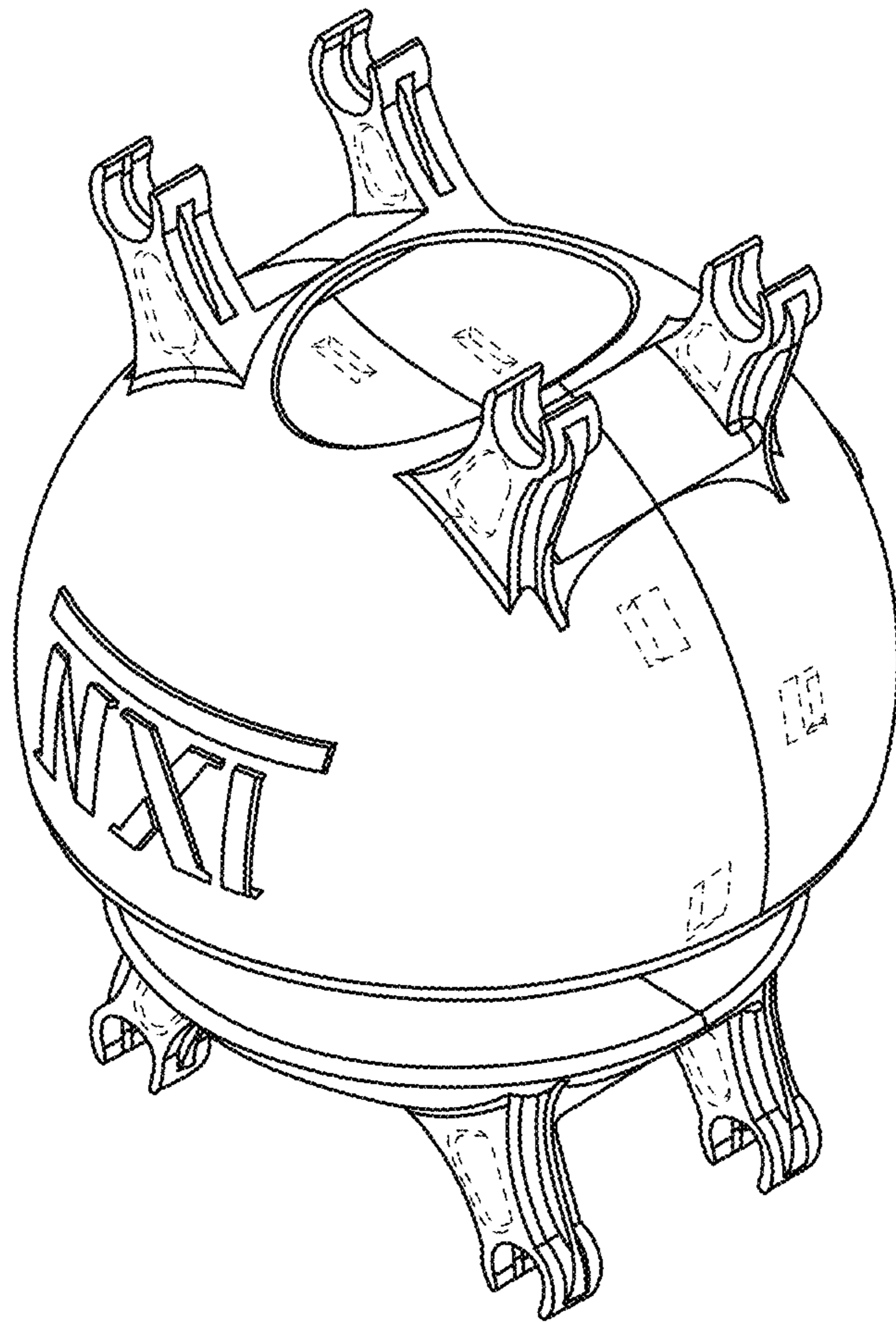


FIG. 5