



US00D847372S

(12) **United States Design Patent** (10) **Patent No.:** **US D847,372 S**
Crawford et al. (45) **Date of Patent:** **** Apr. 30, 2019**

(54) **TRAY**
(71) Applicant: **Texas Tech University System,**
Lubbock, TX (US)
(72) Inventors: **Scott Crawford,** El Paso, TX (US);
Kelsi Montgomery, Tucson, AZ (US)
(73) Assignee: **TEXAS TECH UNIVERSITY**
SYSTEM, Lubbock, TX (US)

D495,807 S * 9/2004 Agbodo D24/227
D539,601 S * 4/2007 Logan D7/354
D588,396 S * 3/2009 Millsap D7/354
D618,821 S * 6/2010 Larsen D24/227
D626,238 S * 10/2010 Zinnanti D24/185
D650,632 S * 12/2011 Zemel D7/354
D654,301 S * 2/2012 Bradley D7/354
D708,347 S * 7/2014 Lober D24/227
D747,134 S * 1/2016 Annunziata D7/354
D779,678 S * 2/2017 Feins D24/227

(**) Term: **15 Years**
(21) Appl. No.: **29/616,448**

(22) Filed: **Sep. 6, 2017**
(51) **LOC (11) Cl.** **24-02**
(52) **U.S. Cl.**
USPC **D24/227**
(58) **Field of Classification Search**
USPC D24/127-128, 185, 216-232; D7/354,
D7/361, 500, 543, 550.1, 554.3, 587, 602;
D3/304, 307, 308, 314, 315; D9/456
CPC A61B 50/36; A61B 2050/3011
See application file for complete search history.

OTHER PUBLICATIONS

Bamboo Stackable Letter Rack Paper Tray. Online, published date unknown. Retrieved on Nov. 18, 2018 from URL: <http://woodquail.com/products/SKU1651-Bamboo-Stackable-Letter-Rack-Paper-Tray>.*

* cited by examiner

Primary Examiner — Karen S Acker
Assistant Examiner — Omeed Agilee
(74) *Attorney, Agent, or Firm* — Daniel J. Chalker; Edwin S. Flores; Chalker Flores, LLP

(56) **References Cited**

U.S. PATENT DOCUMENTS

2,704,974 A * 3/1955 Steman A47G 23/06
206/518
D283,440 S * 4/1986 Brown D24/229
D298,968 S * 12/1988 McAllister D15/140
5,007,535 A * 4/1991 Meseke A61M 5/008
206/363
D327,503 S * 6/1992 Szablak D19/86
D334,973 S * 4/1993 Valentine D24/227
D341,377 S * 11/1993 Ringle D19/86
D346,655 S * 5/1994 Harris D24/128
D351,693 S * 10/1994 Sutton D30/161
D353,465 S * 12/1994 Arioka D24/217
D358,546 S * 5/1995 Walchek, Jr. D3/203.3
D461,995 S * 8/2002 Massaloux D7/545
D480,923 S * 10/2003 Neubourg D7/554.3

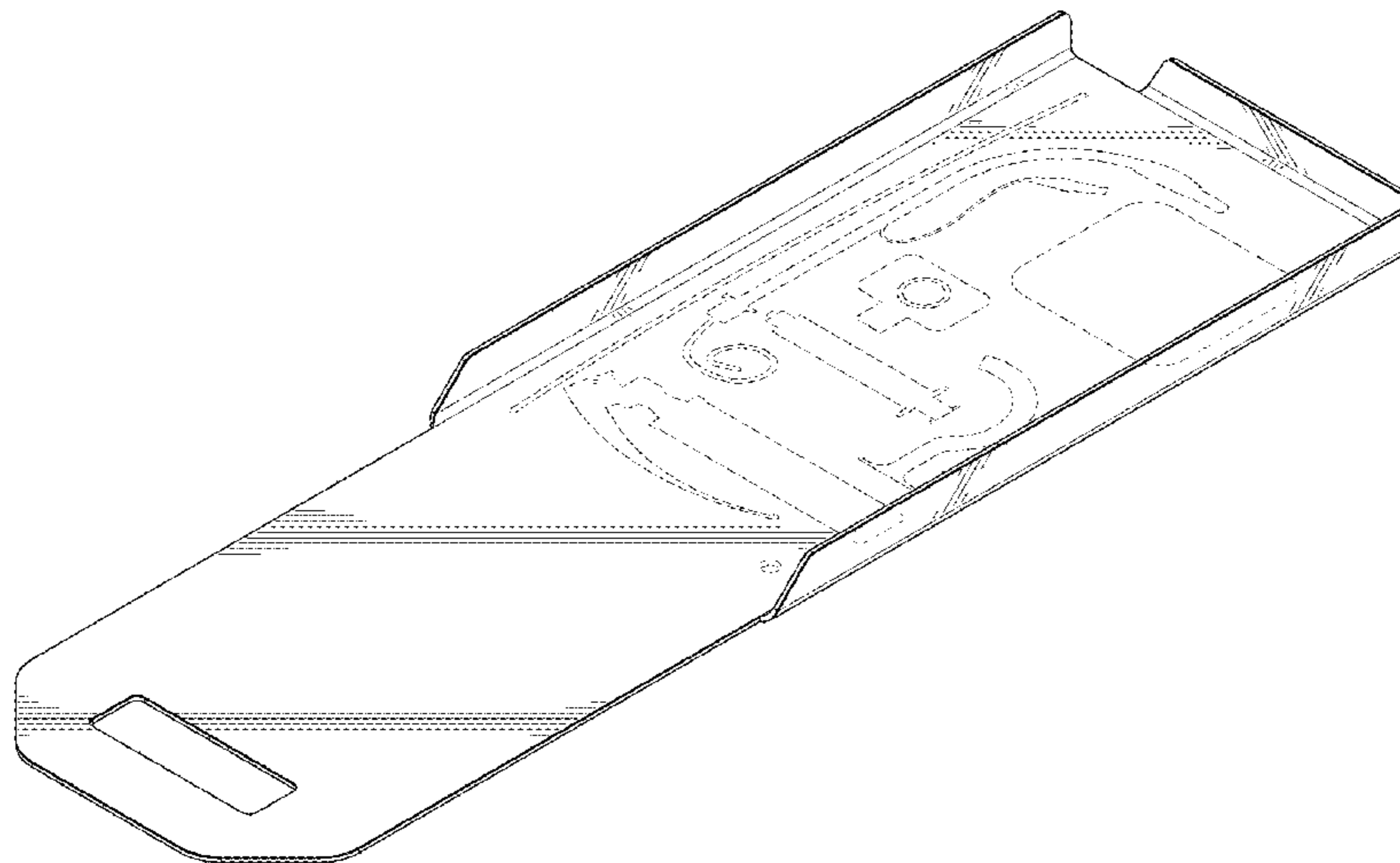
(57) **CLAIM**

The ornamental design for a tray, as shown and described.

DESCRIPTION

FIG. 1 is a perspective view of a tray;
FIG. 2 is a top view thereof;
FIG. 3 is a bottom view thereof;
FIG. 4 is a right end view thereof;
FIG. 5 is a left end view thereof;
FIG. 6 is a rear view thereof; and,
FIG. 7 is a front view thereof.
In the drawings, the evenly-spaced broken lines showing printed outlines and a hole for intubation equipment depict environmental subject matter that forms no part of the claimed design.

1 Claim, 4 Drawing Sheets



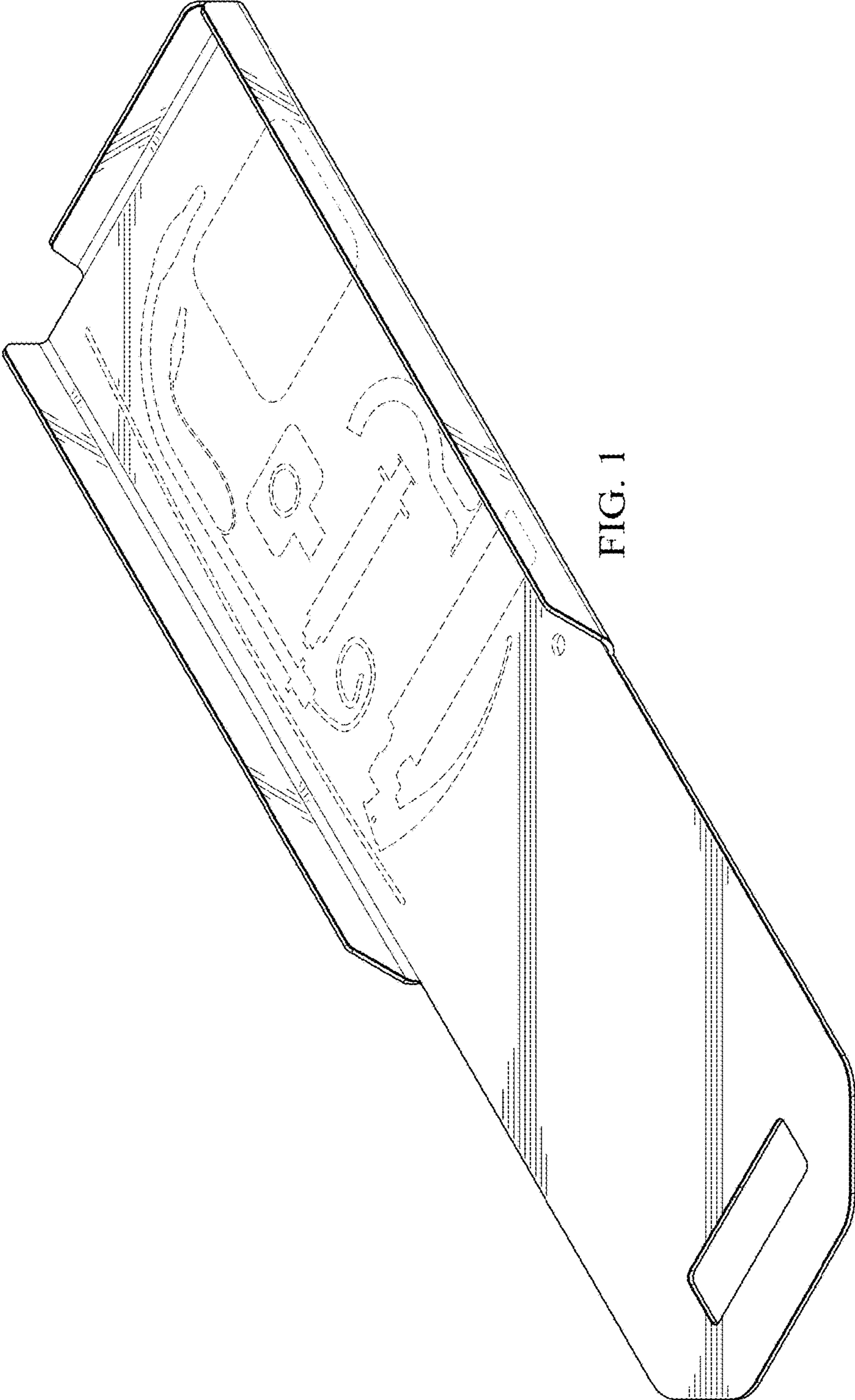


FIG. 1

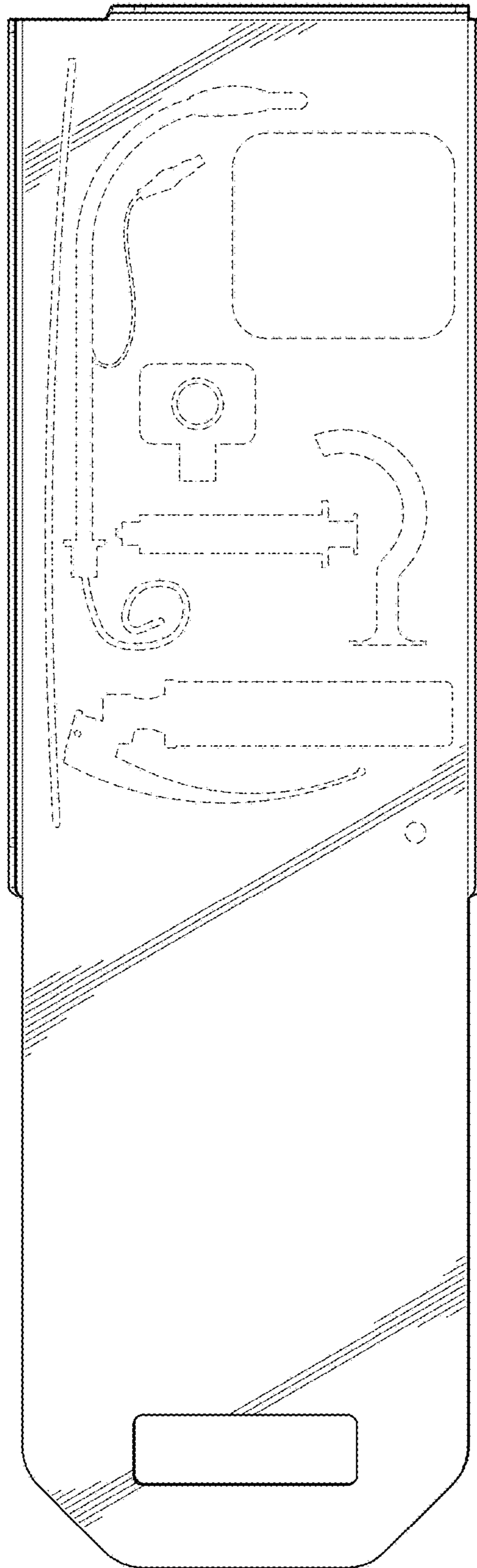


FIG. 2

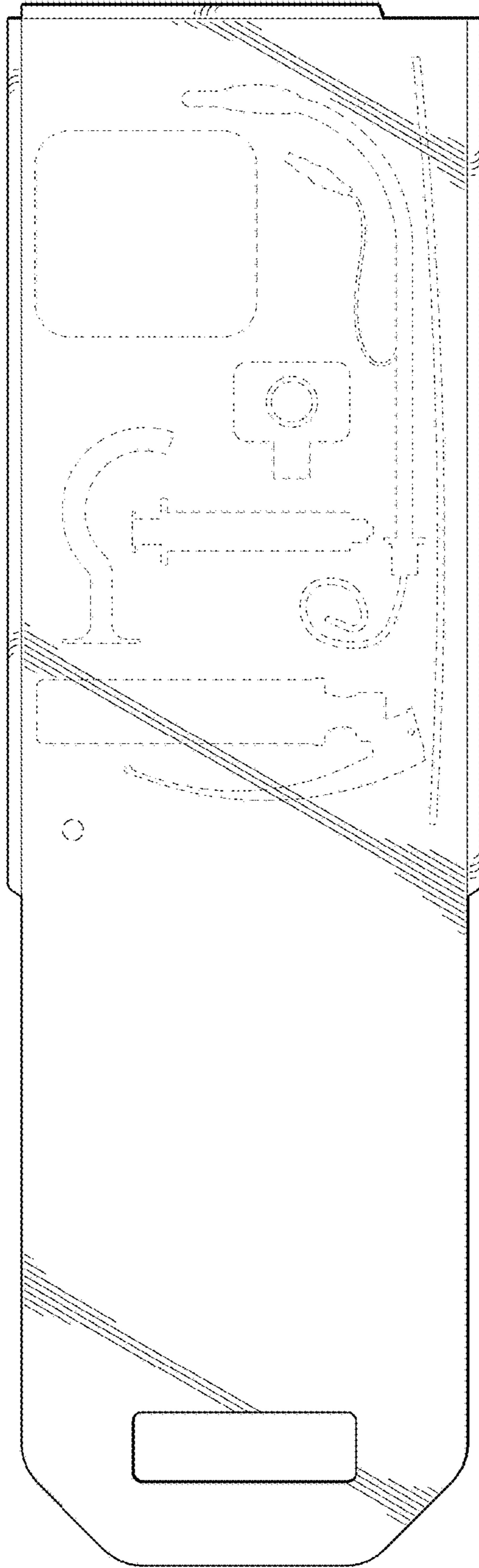


FIG. 3

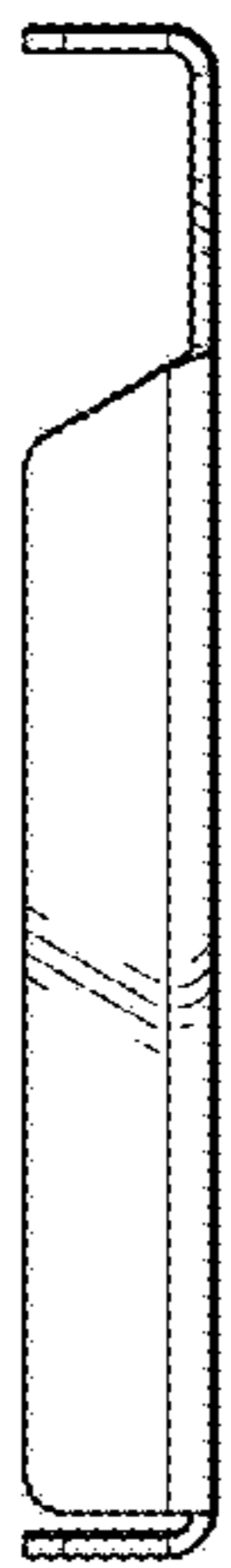


FIG. 4

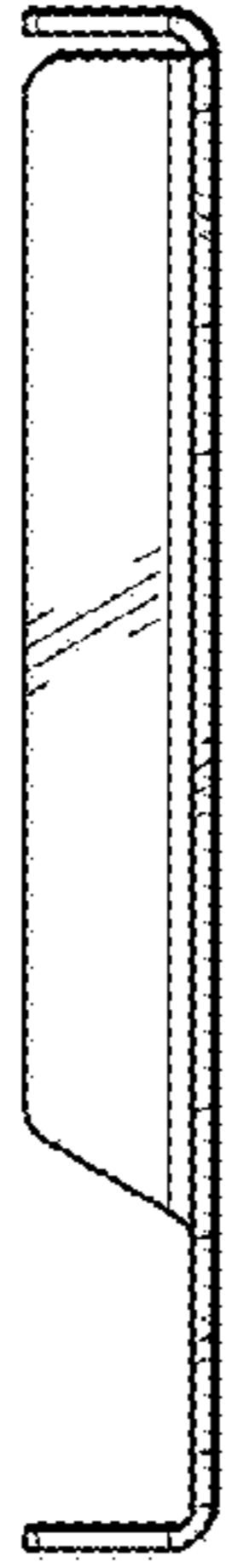


FIG. 5

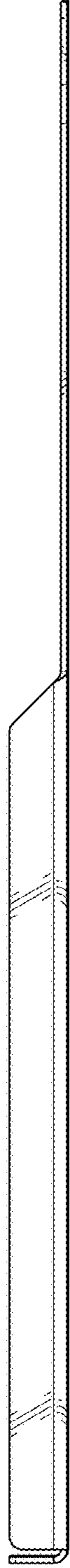


FIG. 6



FIG. 7