



US00D847371S

(12) **United States Design Patent**  
**Koseoglu**

(10) **Patent No.:** **US D847,371 S**

(45) **Date of Patent:** **\*\* Apr. 30, 2019**

- (54) **TUBULAR CATALYST BASKET**
- (71) Applicant: **Saudi Arabian Oil Company**, Dhahran (SA)
- (72) Inventor: **Omer Refa Koseoglu**, Dhahran (SA)
- (73) Assignee: **Saudi Arabian Oil Company**, Dhahran (SA)

(\*\*) Term: **15 Years**

(21) Appl. No.: **29/614,804**

(22) Filed: **Aug. 23, 2017**

(51) **LOC (11) Cl.** ..... **24-02**

(52) **U.S. Cl.**  
USPC ..... **D24/227**

(58) **Field of Classification Search**  
USPC ... D24/108, 110, 110.4, 162, 216, 223, 224,  
D24/227-230; D23/209, 314, 325, 329,  
D23/333-335, 342, 355, 356, 358, 359,  
D23/364, 367, 386-389; D15/1-6  
CPC ..... B01J 8/008; B01J 8/02  
See application file for complete search history.

(56) **References Cited**

**U.S. PATENT DOCUMENTS**

- D177,326 S \* 4/1956 Herman ..... D30/115
- 5,858,044 A \* 1/1999 Nepsund ..... B01D 46/0024  
55/486
- D499,177 S \* 11/2004 Kosmider ..... D23/365
- D502,584 S \* 3/2005 Post ..... D19/92
- D571,056 S \* 6/2008 Bloedorn ..... D30/127
- D571,433 S \* 6/2008 Koteskey ..... D23/209
- 7,874,431 B2 \* 1/2011 Eisengraeber-Pabst .....  
B01D 29/111  
210/493.1
- D637,311 S \* 5/2011 Isobe ..... D24/227
- 8,323,370 B2 \* 12/2012 Troxell ..... B01D 46/2411  
55/492
- D694,871 S \* 12/2013 Maholick ..... D23/365
- D744,626 S \* 12/2015 Leatzow ..... D23/365

- D768,844 S \* 10/2016 Koseoglu ..... D23/386
- 9,463,427 B1 \* 10/2016 Koseoglu ..... B01J 8/008
- D773,014 S \* 11/2016 Pale ..... D23/209
- D776,801 S \* 1/2017 Tamura ..... D23/330
- D815,714 S \* 4/2018 Bell ..... D23/209
- D825,029 S \* 8/2018 Goldman ..... D23/209
- 2001/0032592 A1 \* 10/2001 Bescherer ..... A01K 39/0106  
119/51.01
- 2003/0150391 A1 \* 8/2003 Rich ..... A01K 39/012  
119/57.8

(Continued)

**OTHER PUBLICATIONS**

Distinctions Pencil Cup. Online, published date unknown. Retrieved on Sep. 20, 2018 from URL: <https://myofficeinteriors.com/desk-accessories/distinctions-pencil-cup-45.html>.\*

(Continued)

*Primary Examiner* — Karen S Acker  
*Assistant Examiner* — Omeed Agilee  
(74) *Attorney, Agent, or Firm* — Leason Ellis LLP

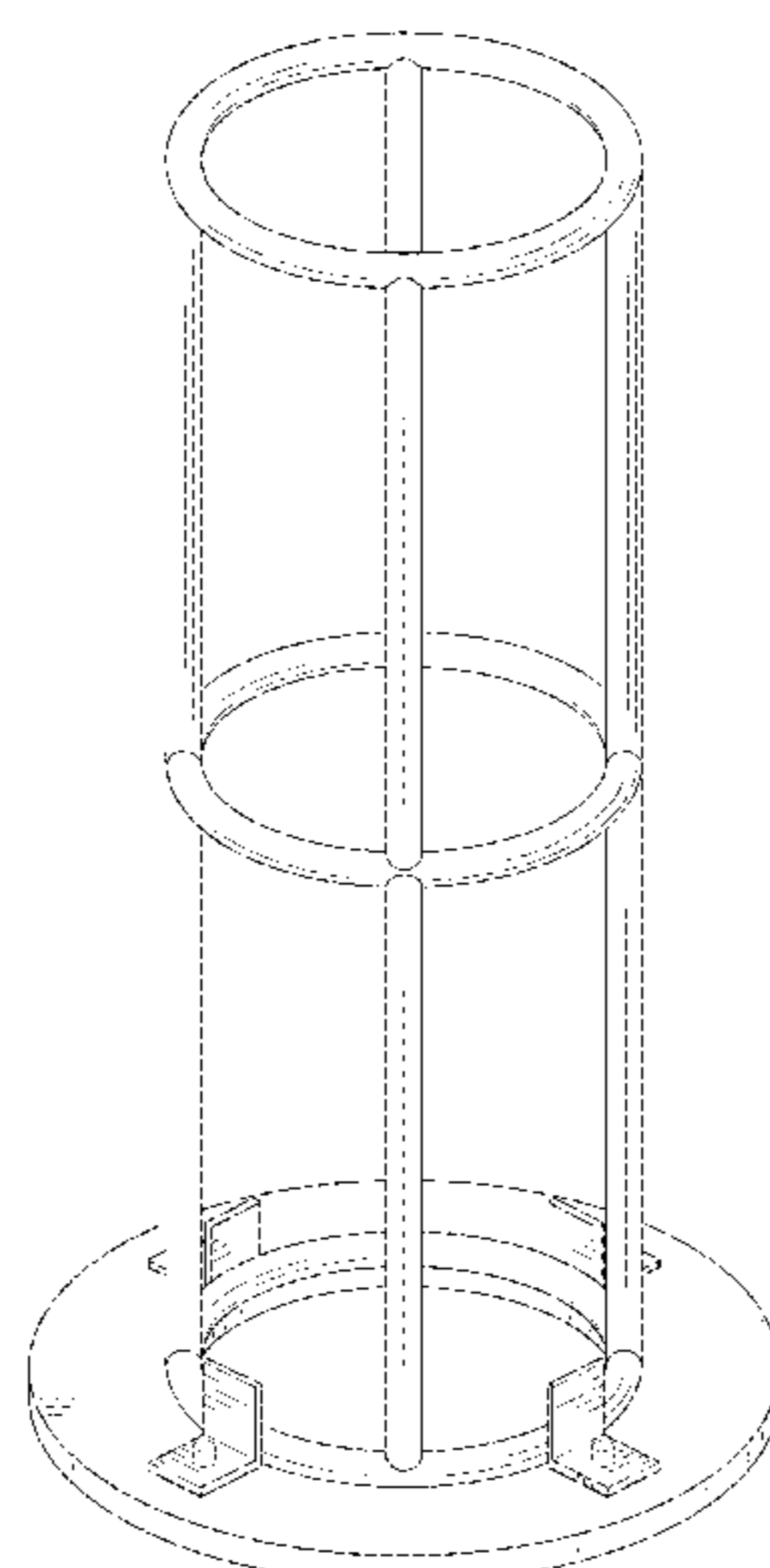
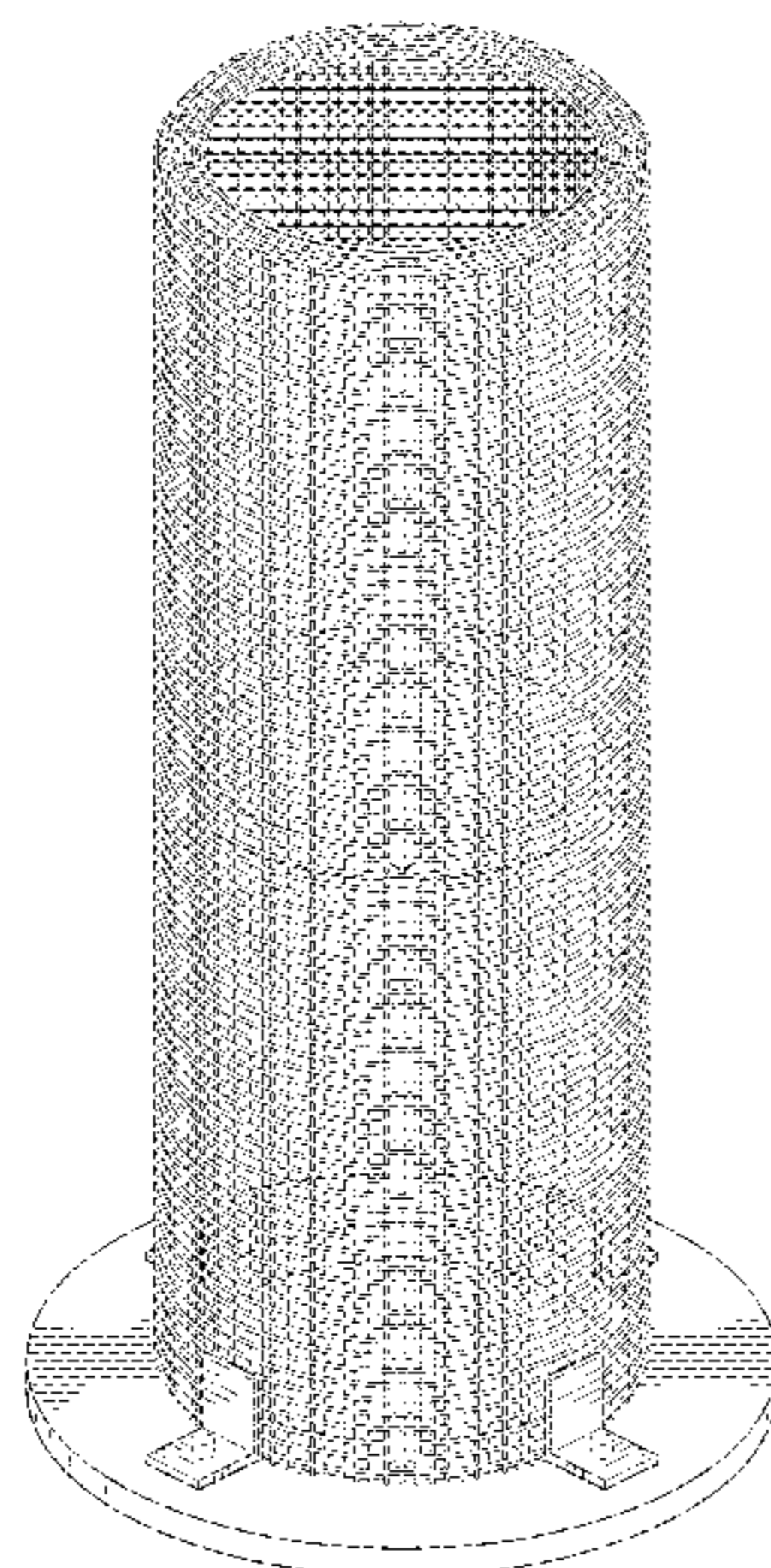
(57) **CLAIM**

The ornamental design for a tubular catalyst basket, as shown and described.

**DESCRIPTION**

FIG. 1 is a perspective view of a tubular catalyst basket showing my new design;  
FIG. 2 is a right side elevation view of FIG. 1;  
FIG. 3 is a left side elevation view of FIG. 1;  
FIG. 4 is a top plan view of FIG. 1;  
FIG. 5 is a bottom plan view of FIG. 1;  
FIG. 6 is a perspective view of FIG. 1 with the mesh removed to show the internal structure; and,  
FIG. 7 is a right side view thereof.  
The broken lines shown in the figures of screws, rivets, and reinforcements illustrate environmental material that forms no part of the claimed design.

**1 Claim, 7 Drawing Sheets**



(56)

**References Cited**

U.S. PATENT DOCUMENTS

2014/0174168 A1\* 6/2014 Amanullah ..... G01N 33/2823  
73/152.01  
2017/0128901 A1\* 5/2017 Maas ..... B01D 29/23

OTHER PUBLICATIONS

Catalyst Basket. Online, published date unknown. Retrieved on Sep. 20, 2018 from URL: <https://hionchemistry.com/product/catalyst-baskets>.\*

\* cited by examiner

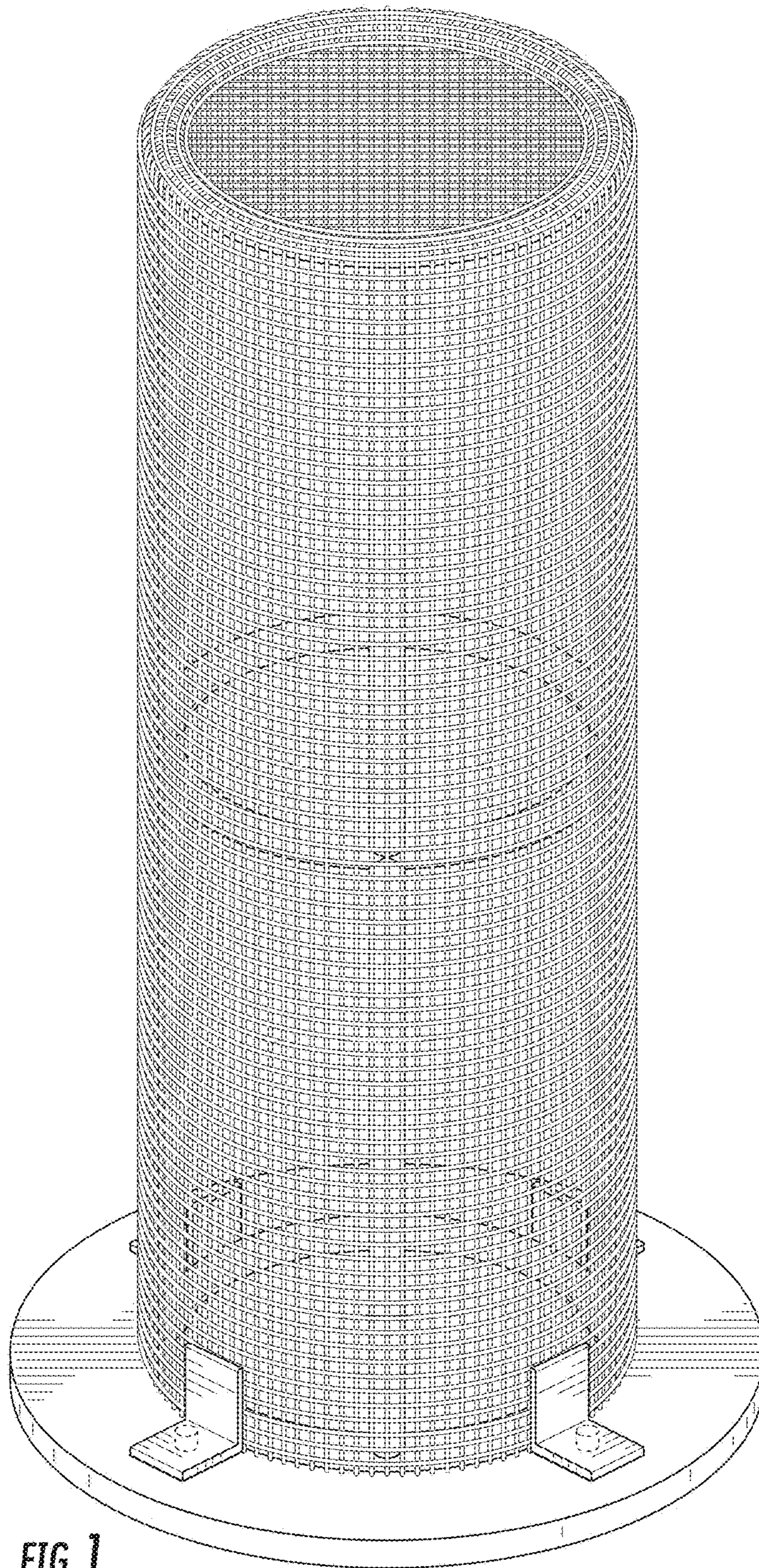


FIG. 1

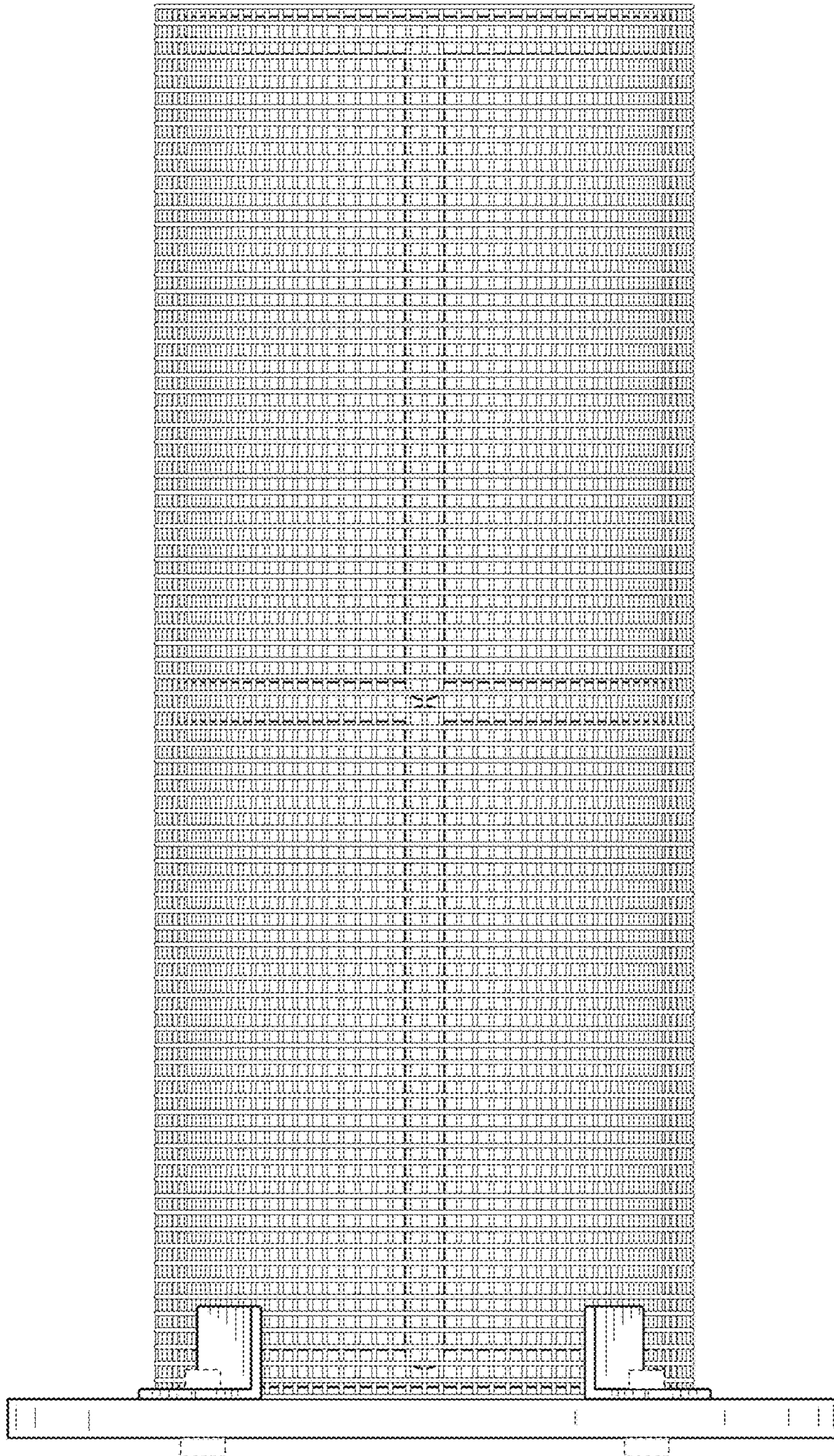


FIG. 2

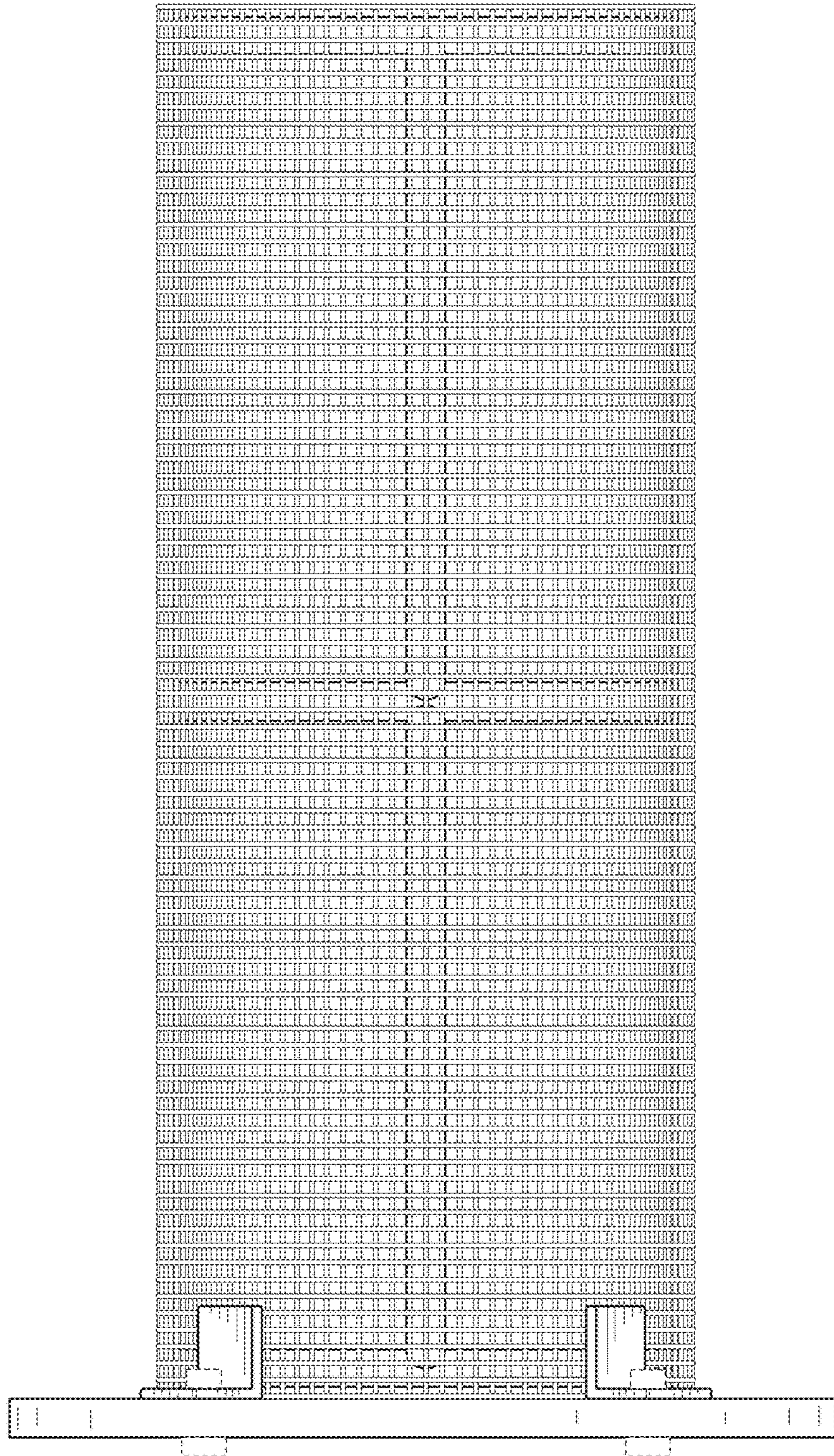


FIG. 3

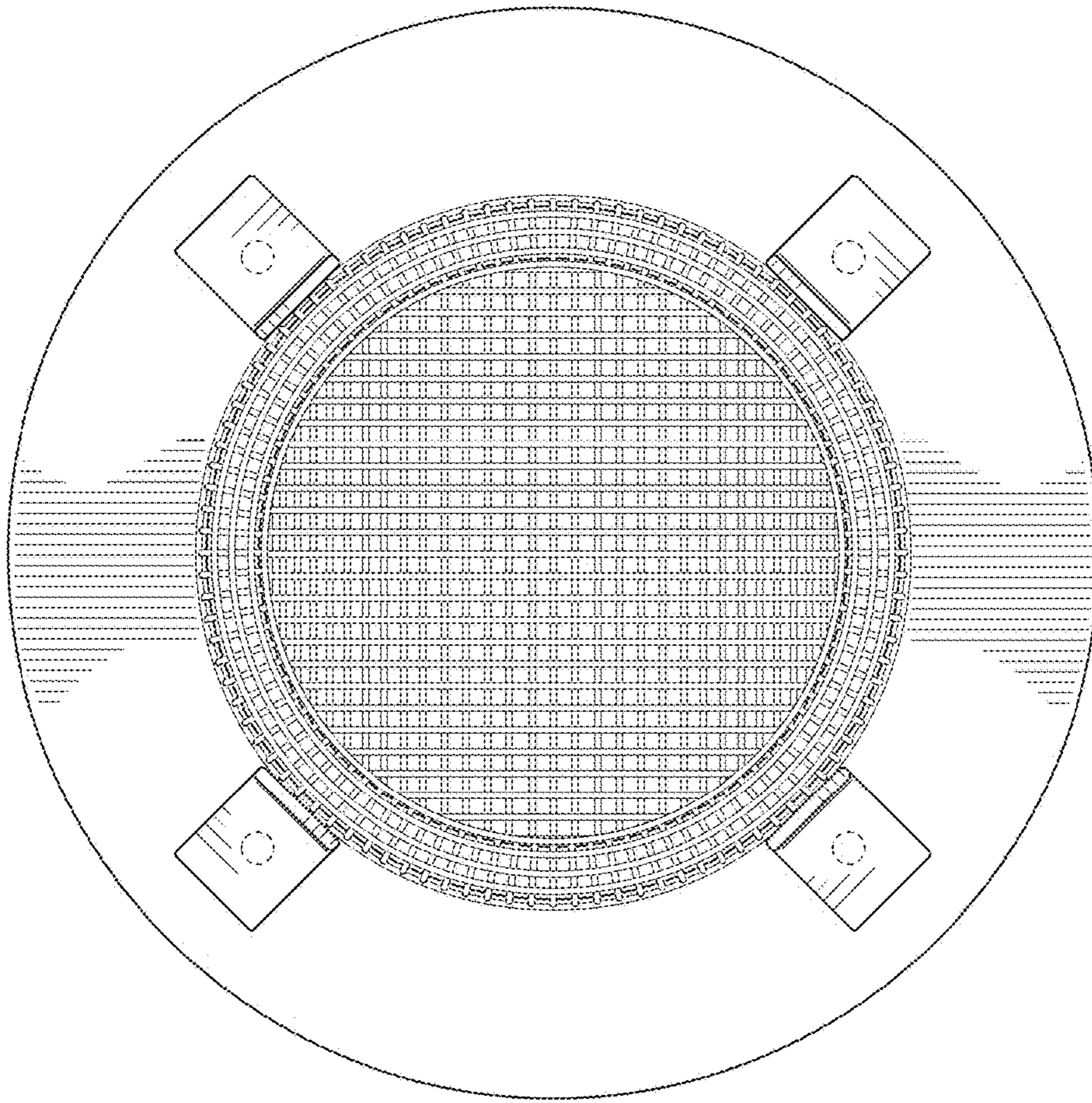


FIG. 4

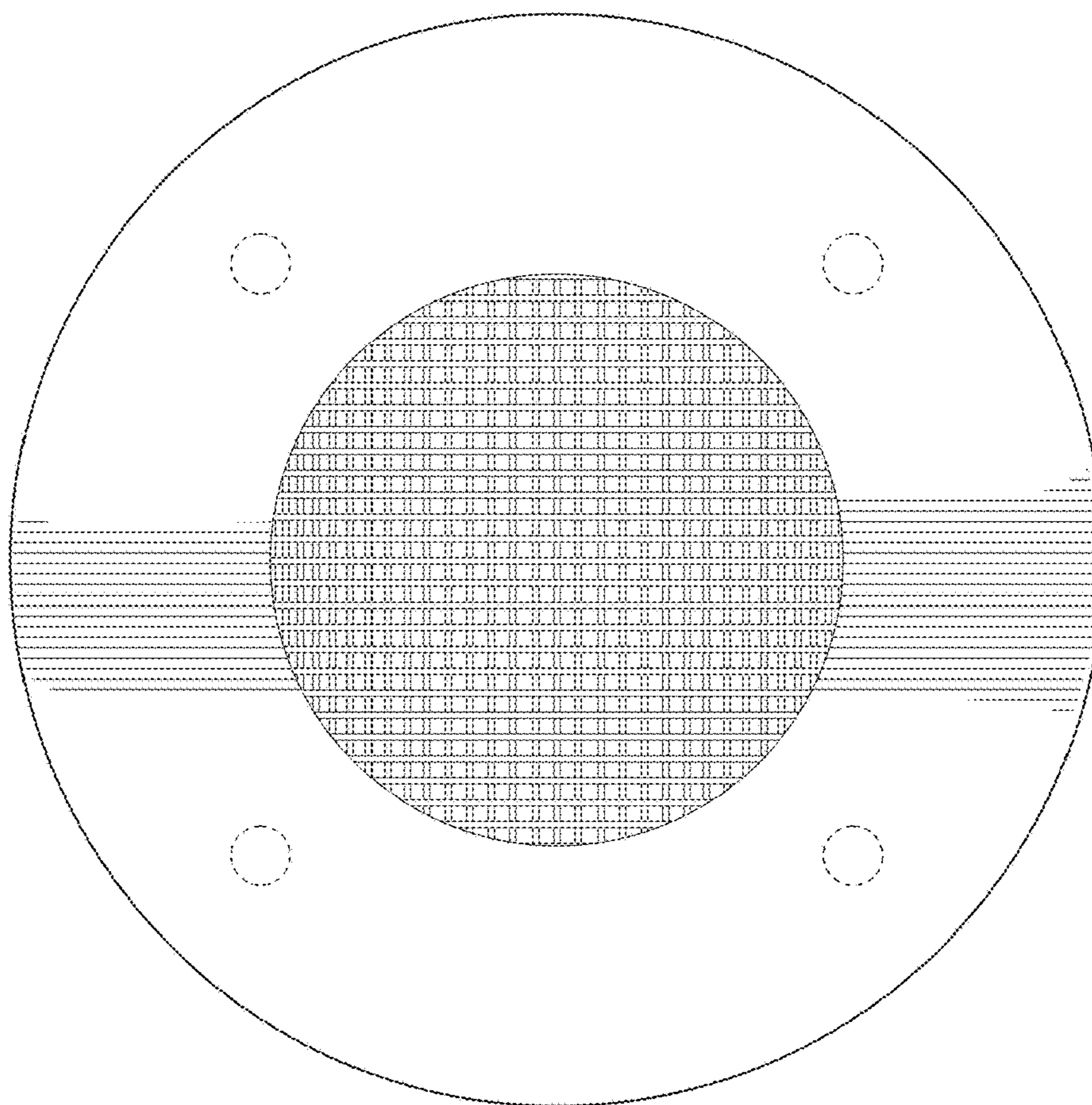


FIG. 5

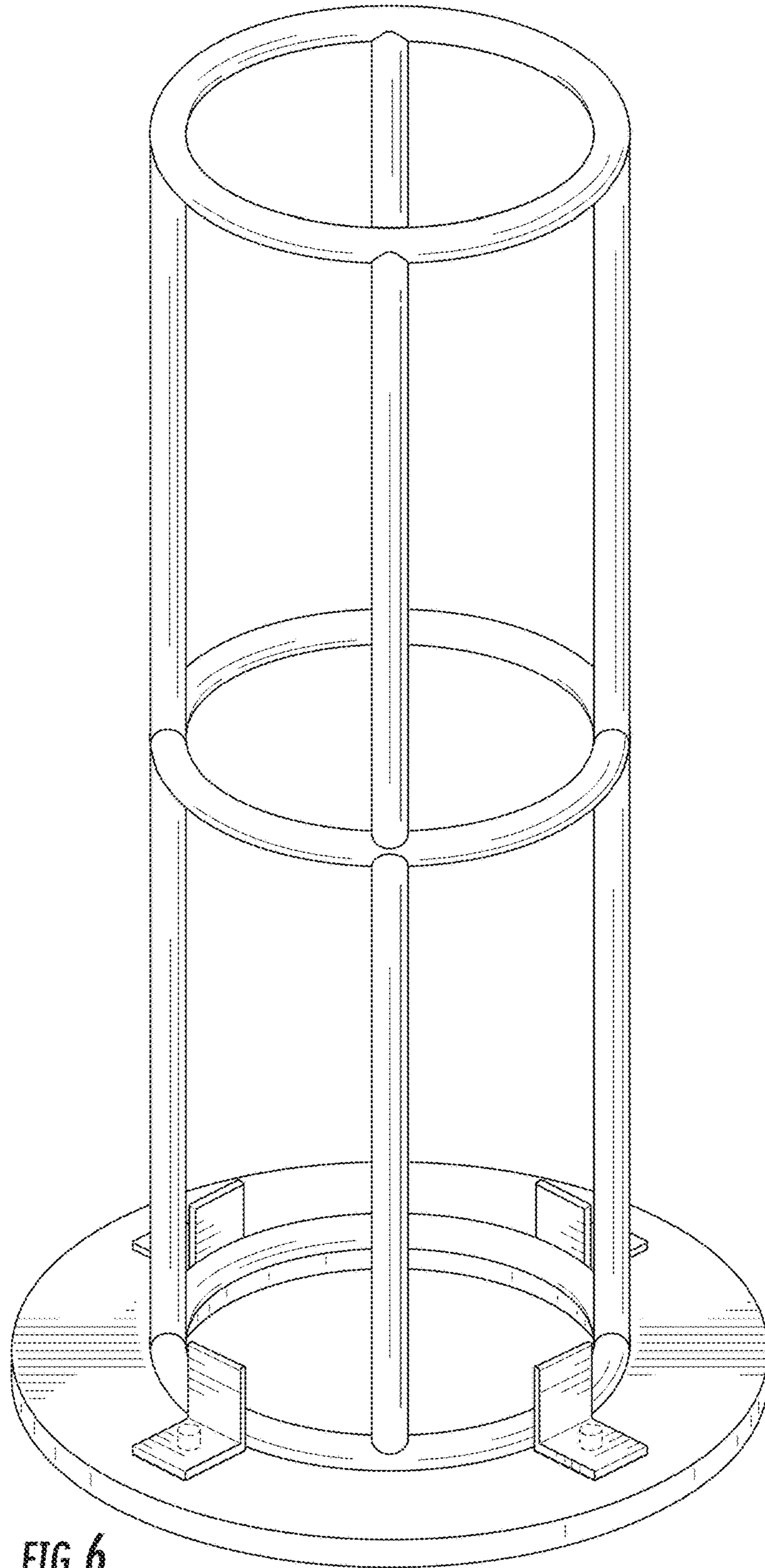


FIG. 6



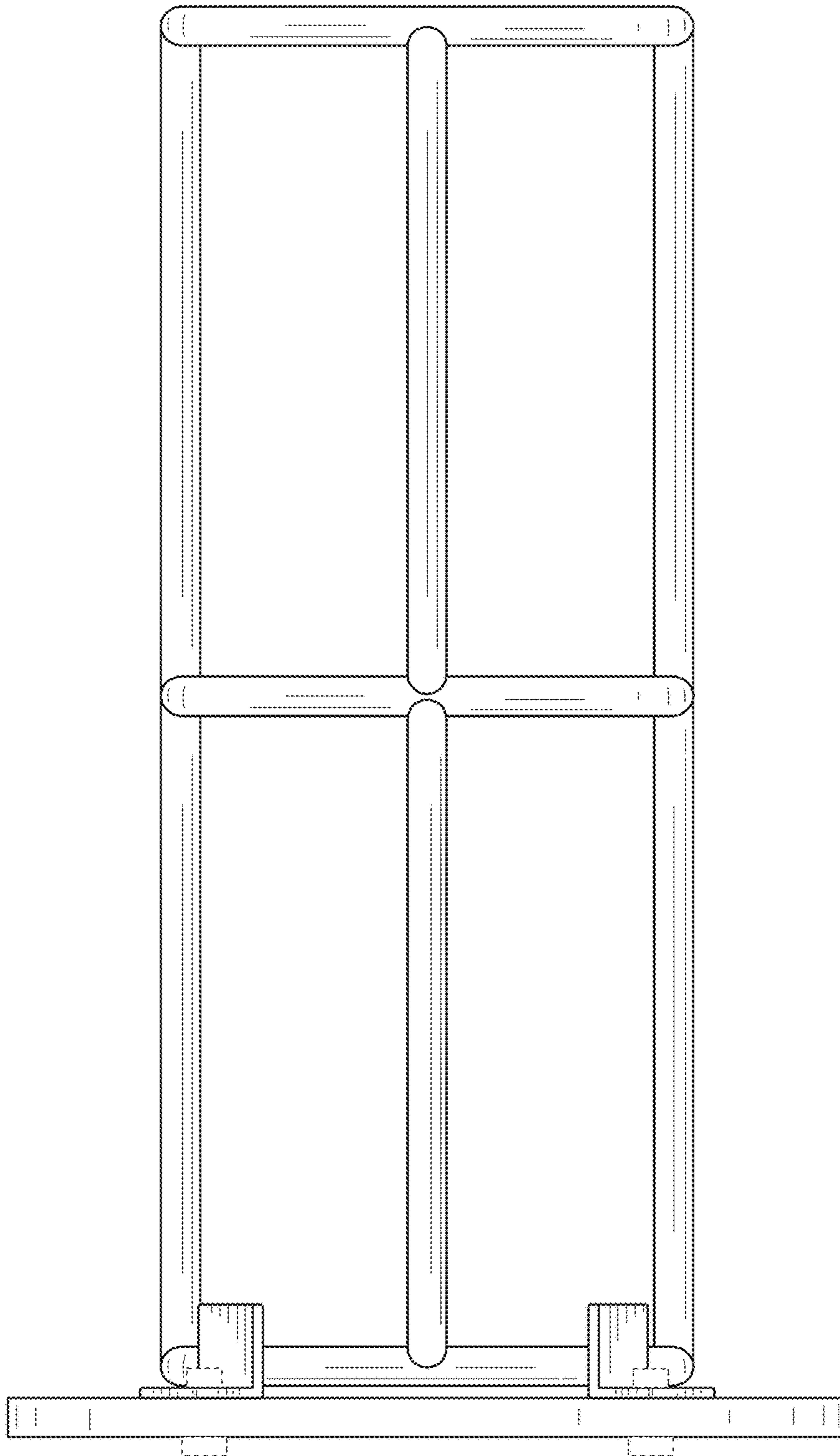


FIG. 7