



US00D847370S

(12) **United States Design Patent** (10) **Patent No.:** **US D847,370 S**  
**Paavilainen** (45) **Date of Patent:** **\*\* Apr. 30, 2019**

(54) **TEST TUBE GRIPPER**

D757,532 S \* 5/2016 Cerar ..... D10/103  
D783,391 S \* 4/2017 Chiang ..... D8/396  
2014/0097306 A1\* 4/2014 Hale ..... G03B 17/566  
248/122.1

(71) Applicant: **THERMO FISHER SCIENTIFIC OY**, Vantaa (FI)

(72) Inventor: **Sami Paavilainen**, Vantaa (FI)

(73) Assignee: **THERMO FISHER SCIENTIFIC OY**, Vantaa (FI)

(\*\*) Term: **15 Years**

(21) Appl. No.: **29/562,918**

(22) Filed: **Apr. 29, 2016**

(30) **Foreign Application Priority Data**

Oct. 30, 2015 (EM) ..... 002842260

(51) **LOC (11) Cl.** ..... **24-02**

(52) **U.S. Cl.**  
USPC ..... **D24/227**

(58) **Field of Classification Search**  
USPC ..... D24/107, 121, 133, 216, 222-230, 233;  
D9/523, 547, 549, 550, 724, 732  
CPC ..... B01F 13/0025; B01J 2219/00292; B01J  
2220/64; B01L 3/14; B01L 3/021-3/0237;  
B01L 3/508-3/50825; B01L 3/52-3/523;  
G01F 11/02

See application file for complete search history.

(56) **References Cited**

**U.S. PATENT DOCUMENTS**

D333,775 S \* 3/1993 Krape ..... D8/331  
D636,499 S \* 4/2011 Delaey ..... D24/216  
D673,689 S \* 1/2013 Pierce ..... D24/216  
D735,024 S \* 7/2015 Liu ..... D8/394  
D744,745 S \* 12/2015 Fischer ..... D3/208

**OTHER PUBLICATIONS**

Hml108 Test Tube Clamp 2 Fisher Castaloy. [online] Retrieved Jul. 17, 2018 from URL: [https://www.alibaba.com/product-detail/HML108-TEST-TUBE-CLAMP-2-Fisher\\_60220954668.html?spm=a2700.7724857.main07.242.45aa1c2anziel5.\\*](https://www.alibaba.com/product-detail/HML108-TEST-TUBE-CLAMP-2-Fisher_60220954668.html?spm=a2700.7724857.main07.242.45aa1c2anziel5.*)

Burette Buret Test Tube Clamp Swivel. [online] Published on May 19, 2014. Retrieved Jul. 18, 2018 from URL: [https://www.sciencelabsupplies.com/Burette-Buret-Test-Tube-Clamp-Swivel.html.\\*](https://www.sciencelabsupplies.com/Burette-Buret-Test-Tube-Clamp-Swivel.html.*)

\* cited by examiner

*Primary Examiner* — Vy N Koenig

(74) *Attorney, Agent, or Firm* — Birch, Stewart, Kolasch & Birch, LLP

(57) **CLAIM**

The ornamental design for a test tube gripper, as shown and described.

**DESCRIPTION**

FIG. 1 is a front elevational view of a test tube gripper showing my new design;

FIG. 2 is a rear elevational view;

FIG. 3 is a right side elevational view;

FIG. 4 is a left side elevational view;

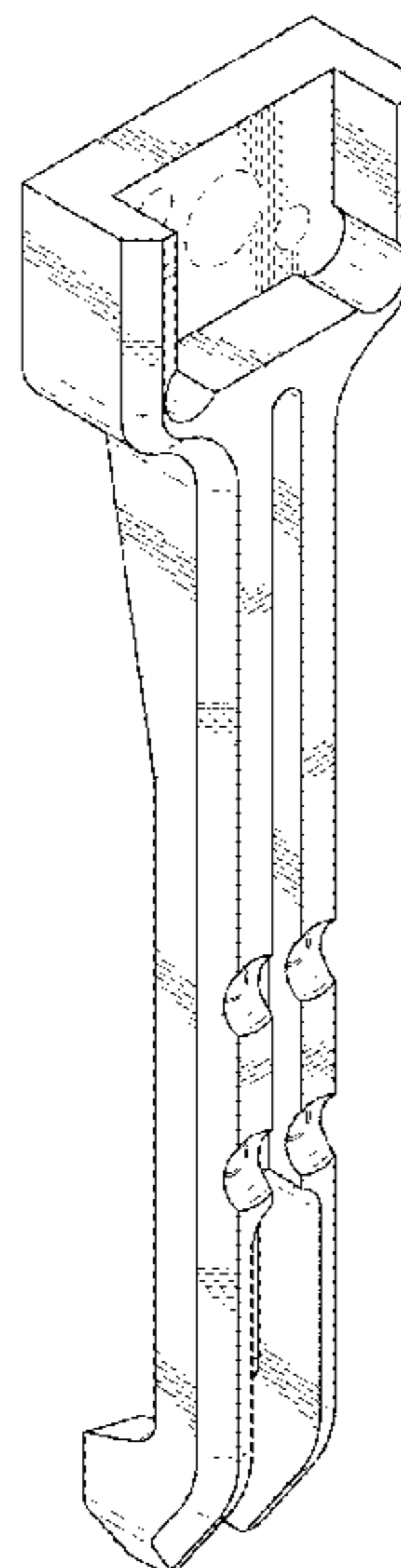
FIG. 5 a bottom plan view;

FIG. 6 top plan view; and,

FIG. 7 is a rear perspective view.

The portions shown in broken lines form no part of the claimed design.

**1 Claim, 7 Drawing Sheets**



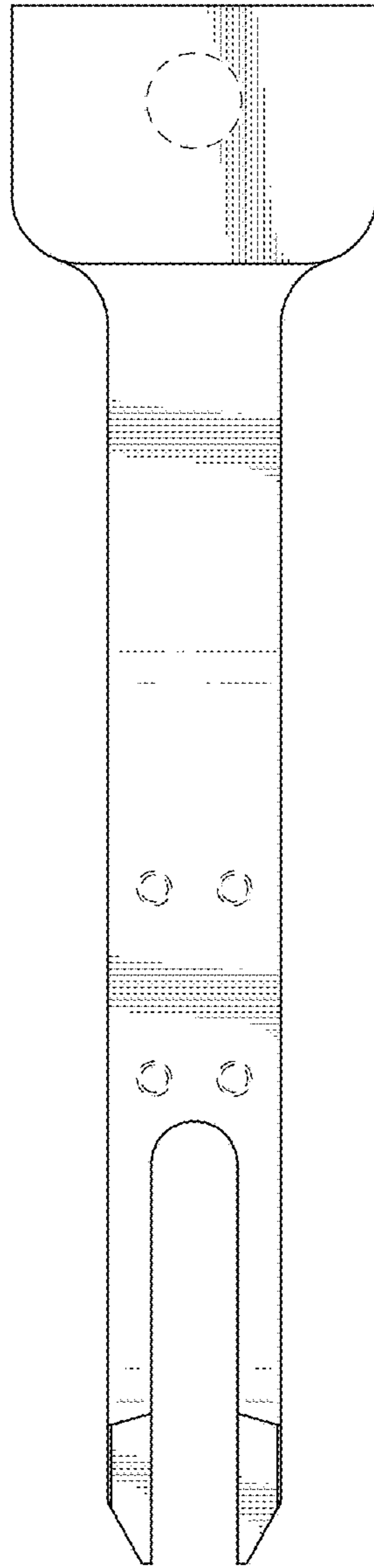


FIG.1

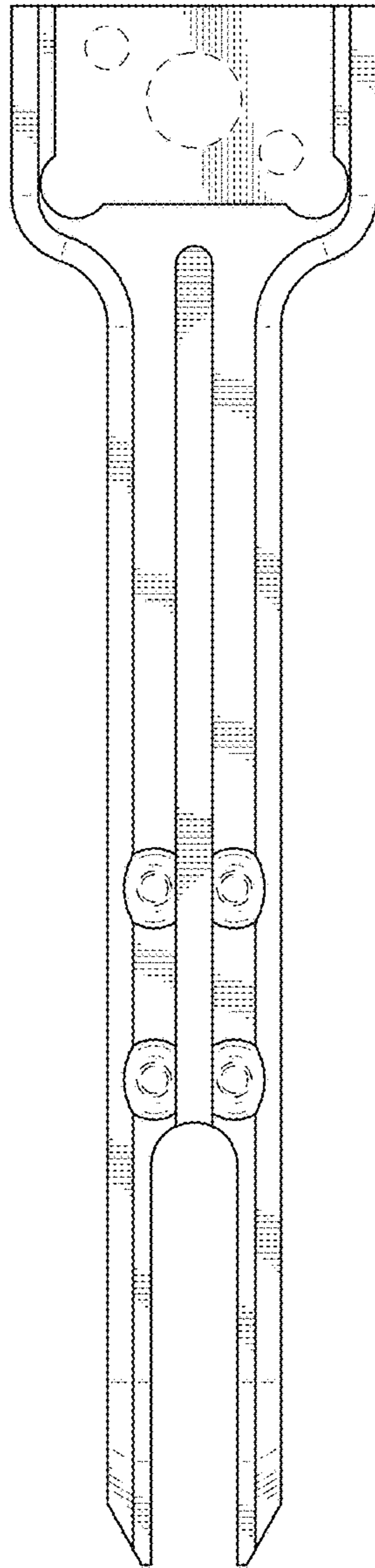


FIG.2

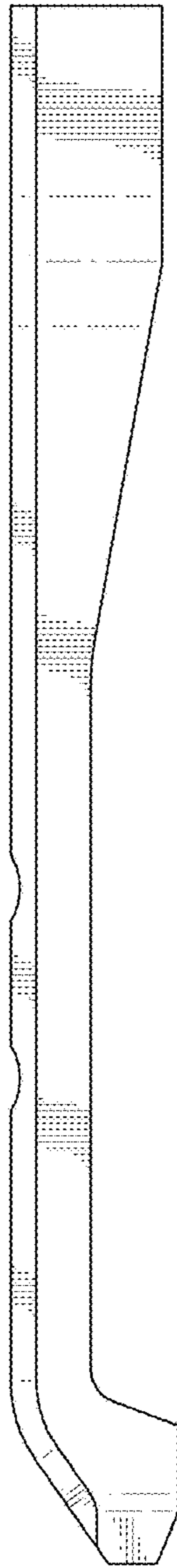


FIG.3

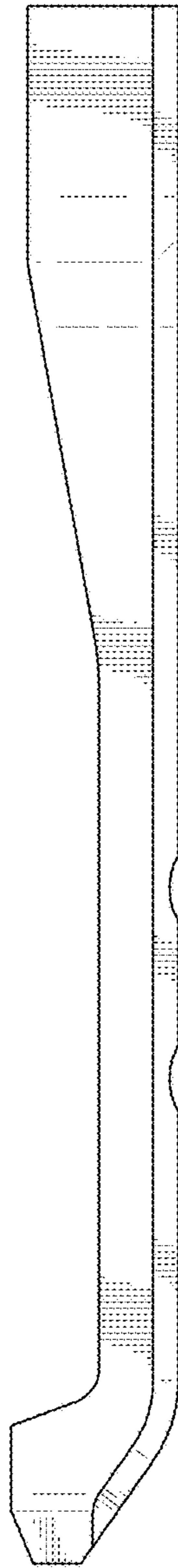


FIG.4

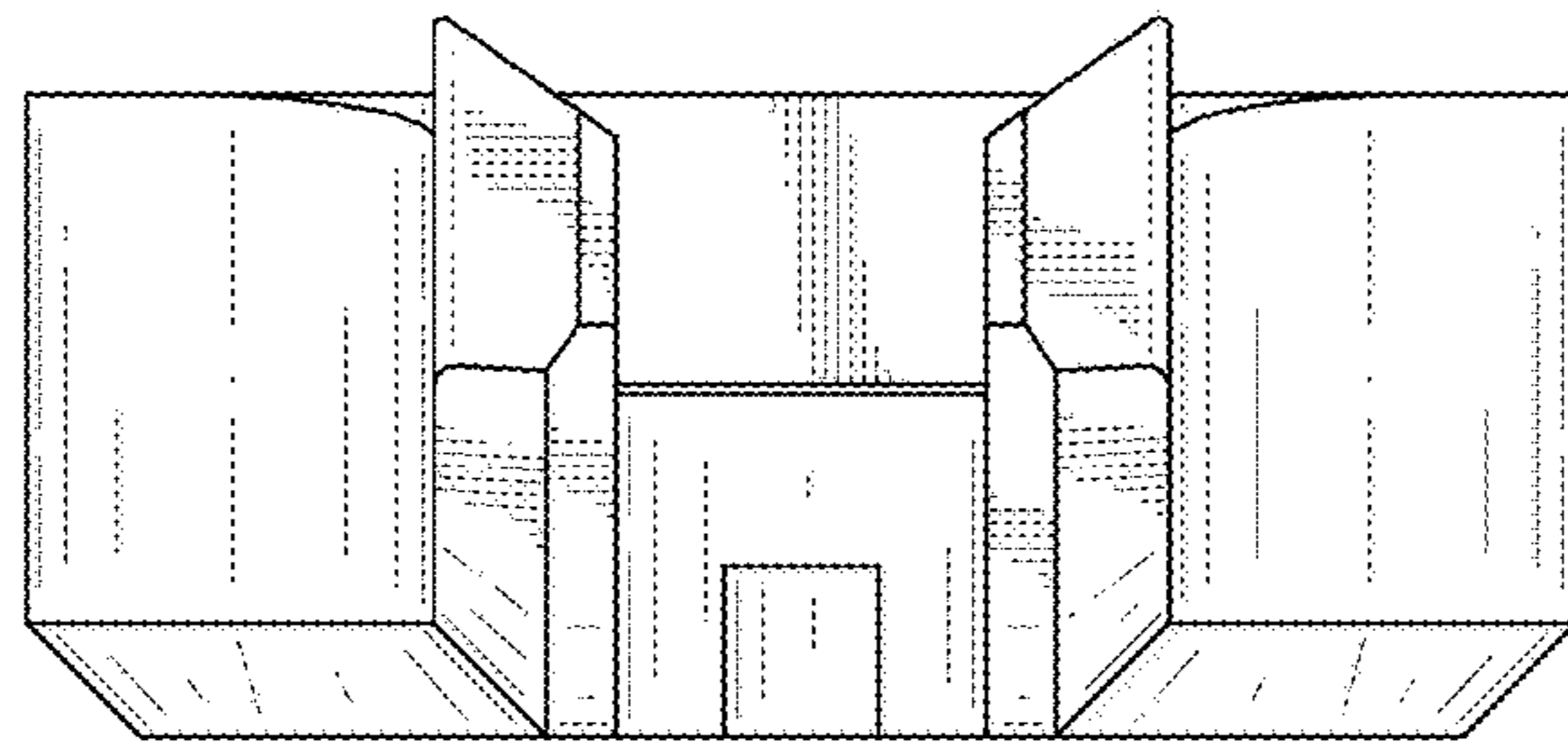


FIG.5

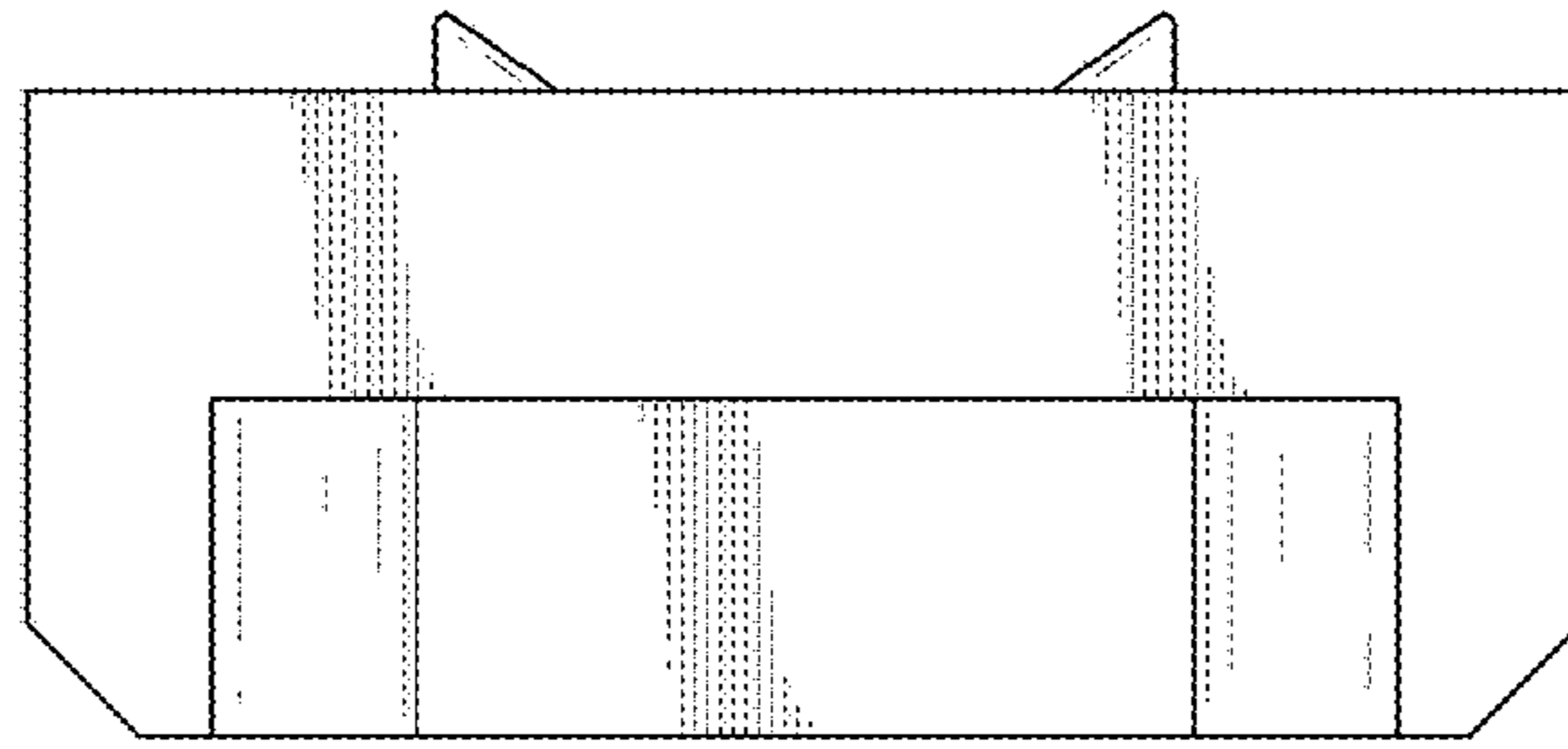


FIG.6

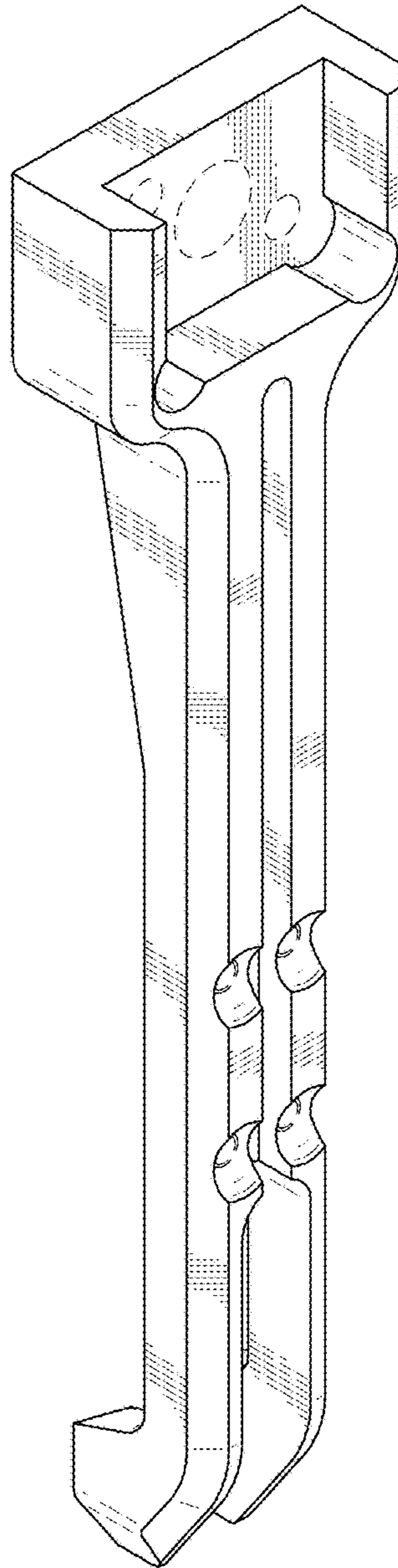


FIG. 7