



US00D847367S

(12) **United States Design Patent** (10) **Patent No.:** **US D847,367 S**
Trump et al. (45) **Date of Patent:** **** Apr. 30, 2019**

- (54) **PIPETTE TIP**
- (71) Applicant: **STRATEC Biomedical AG**, Birkenfeld (DE)
- (72) Inventors: **Martin Trump**, Pforzheim (DE); **Waldemar Lukhaub**, Vaihingen/Enz (DE); **Nico Birkner**, Pforzheim (DE); **Hans Joachim Poehler**, Knittlingen (DE)
- (73) Assignee: **STRATEC Biomedical AG**, Birkenfeld (DE)
- (**) Term: **15 Years**
- (21) Appl. No.: **29/602,786**
- (22) Filed: **May 3, 2017**
- (51) **LOC (11) Cl.** **24-02**
- (52) **U.S. Cl.**
USPC **D24/222**
- (58) **Field of Classification Search**
USPC D24/107, 121, 133, 216, 222-230, 233; D9/523, 547, 549, 550, 724, 732
CPC B01F 13/0025; B01J 2219/00292; B01J 2220/64; B01L 3/14; B01L 3/021; B01L 3/0237; B01L 3/508-3/50825; B01L 3/52; B01L 3/523; G01F 11/02
See application file for complete search history.

- D740,437 S * 10/2015 Lohn D24/222
- 9,156,030 B2 * 10/2015 Beese B01L 3/021
- 9,346,045 B2 * 5/2016 Blumentritt B01L 3/0275
- D788,314 S * 5/2017 Ando D24/222
- 2006/0172433 A1 * 8/2006 Motadel B01L 3/0279
436/180
- 2006/0177352 A1 * 8/2006 Ziegmann B01L 3/0275
422/400
- 2008/0078258 A1 * 4/2008 Price B01L 3/0279
73/864.01

OTHER PUBLICATIONS

Puntas para micropipeta. [online] Retrieved Jul. 5, 2018 from URL: <https://www.velaquin.com.mx/products/puntas-para-micropipeta?variant=31262261313>.*

Finntip Filtered Pipette Tips. [online] Retrieved Jun. 21, 2018 from URL: <https://www.thermofisher.com/order/catalog/product/94052000>.*

* cited by examiner

Primary Examiner — Vy N Koenig
(74) *Attorney, Agent, or Firm* — 24IP Law Group;
Timothy R DeWitt

(57) **CLAIM**

The ornamental design for a pipette tip, as shown and described.

DESCRIPTION

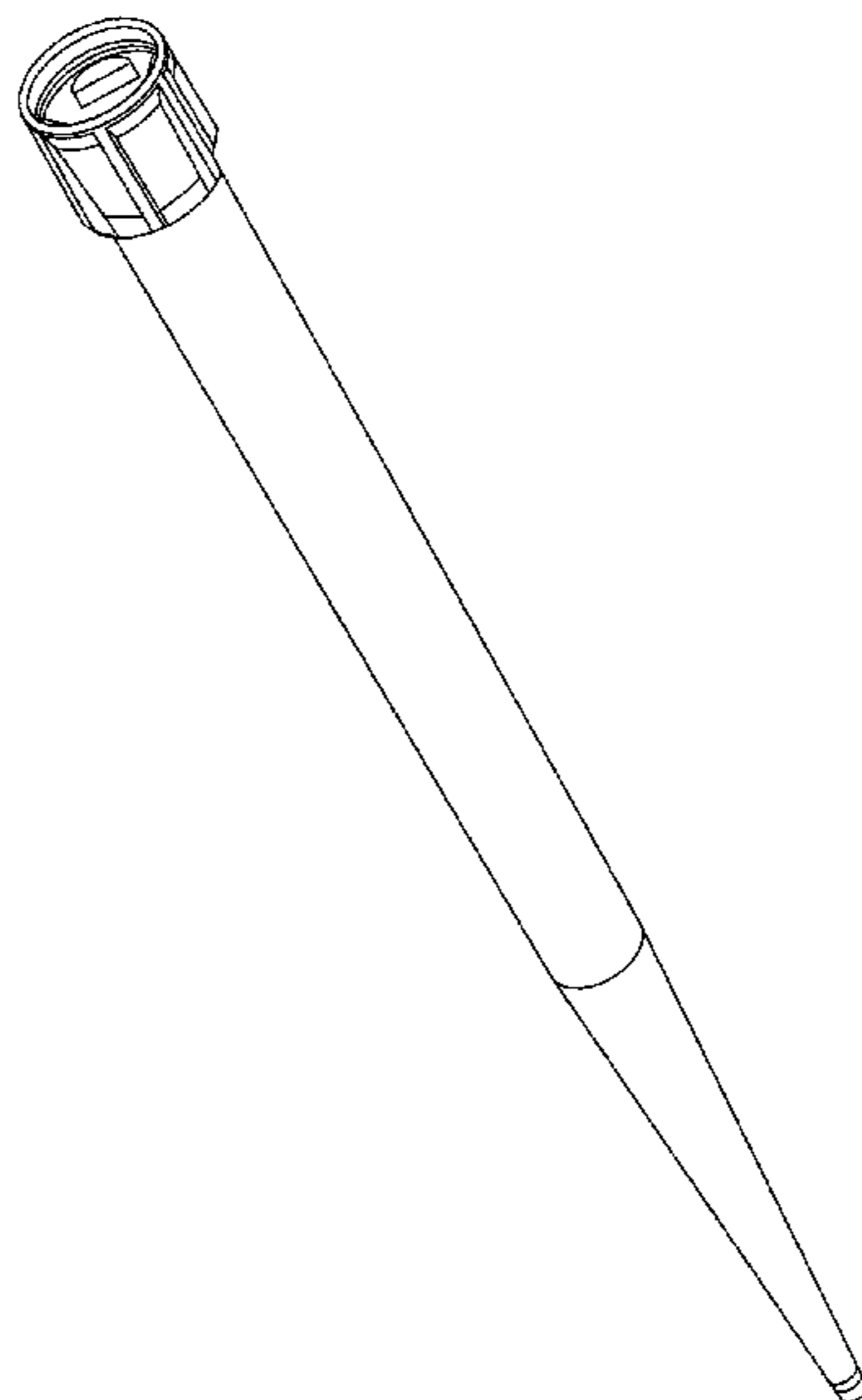
FIG. 1 is a perspective view of a pipette tip showing our new design;
FIG. 2 is a top view of the pipette tip;
FIG. 3 is a bottom view of the pipette tip; and,
FIG. 4 is a side view of the pipette tip.
The broken lines in the drawings depict portions of the pipette tip that form no part of the claimed design.

1 Claim, 3 Drawing Sheets

(56) **References Cited**

U.S. PATENT DOCUMENTS

- D257,567 S * 11/1980 Peacock D24/114
- D297,054 S * 8/1988 Williams D24/112
- D441,458 S * 5/2001 Petrek D24/222
- D465,853 S * 11/2002 Petersen D24/222
- D601,712 S * 10/2009 Tajima D24/222
- D687,562 S * 8/2013 Motadel B01L 3/0275
D24/222



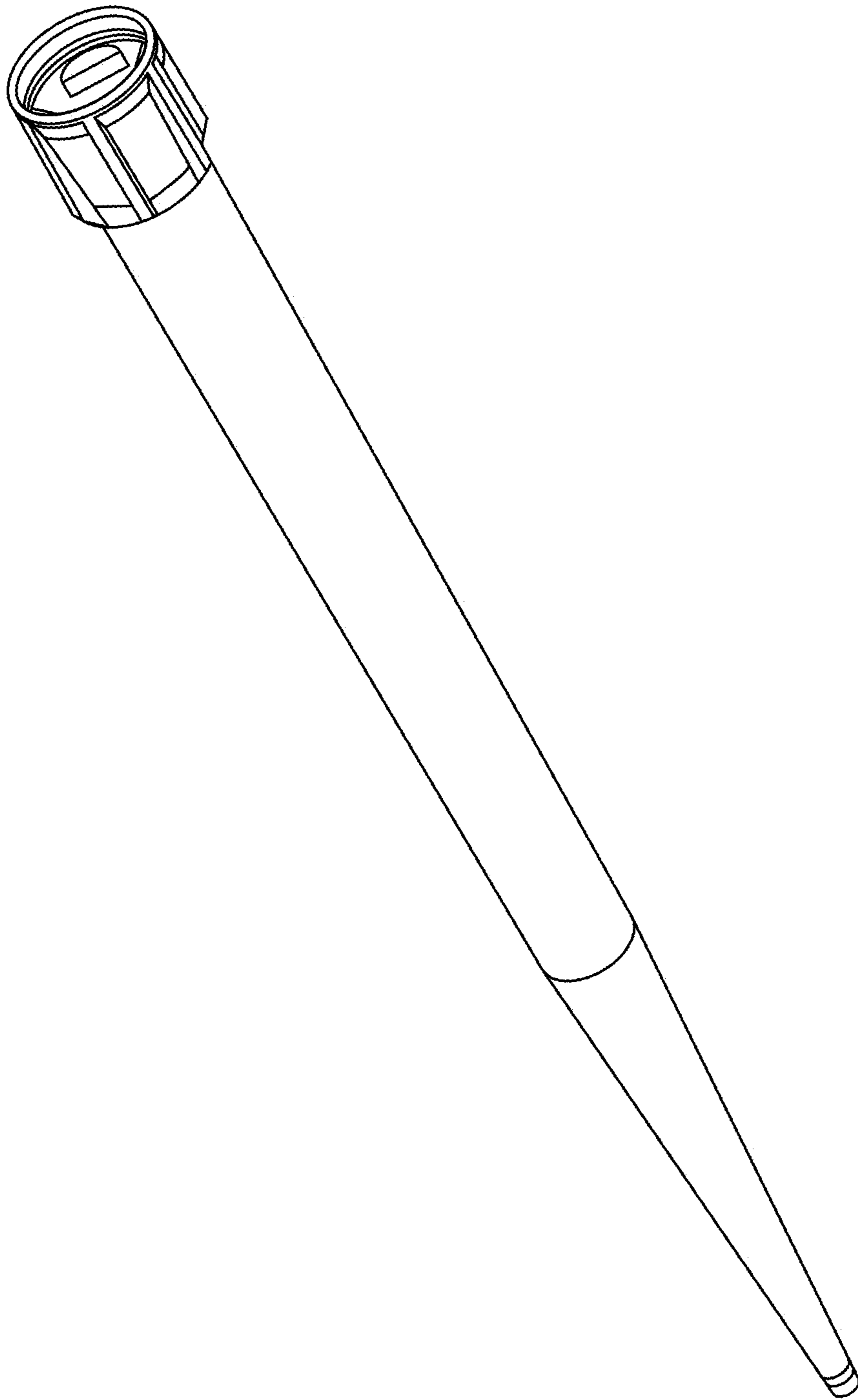


FIG. 1

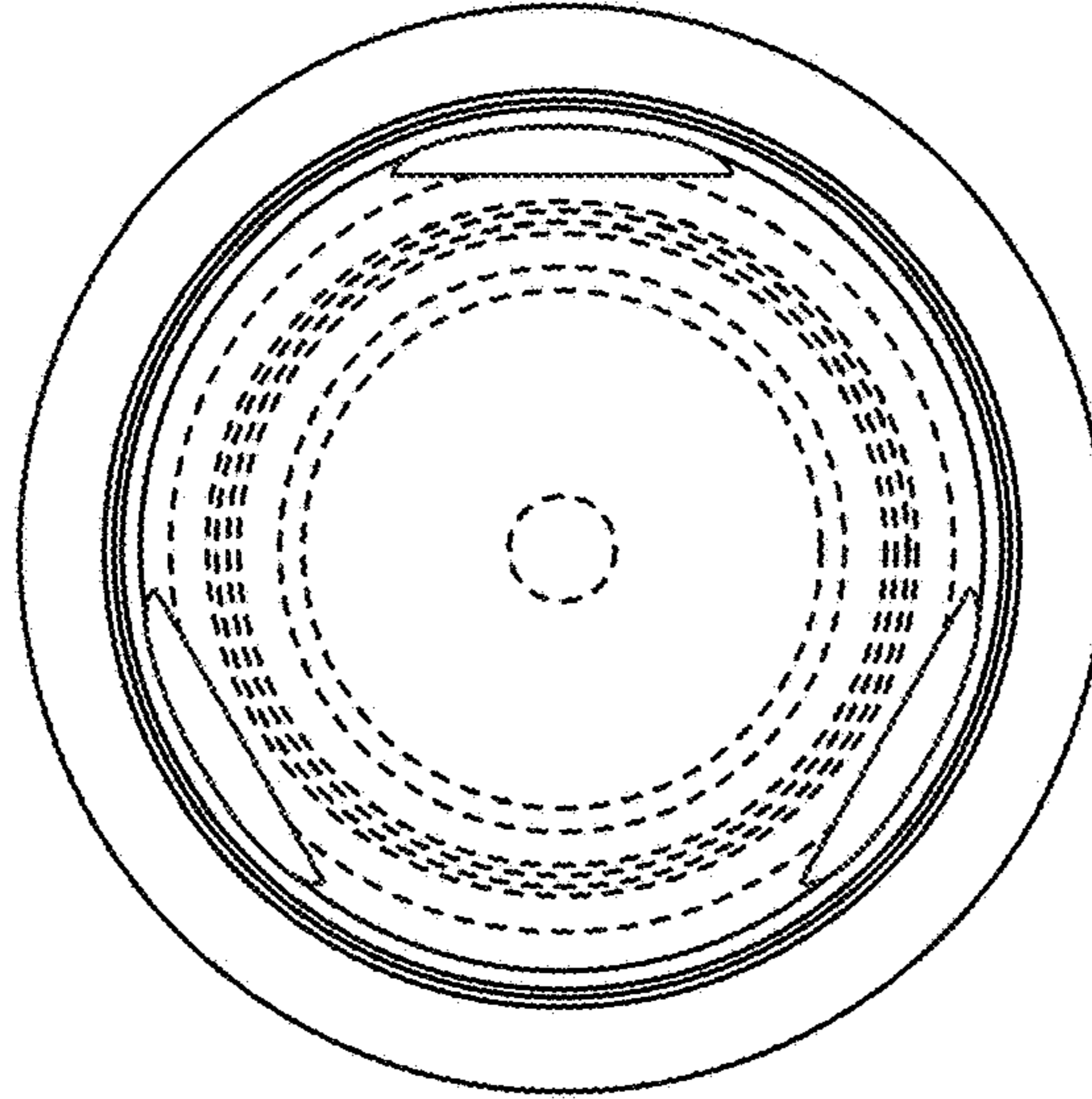


FIG. 2

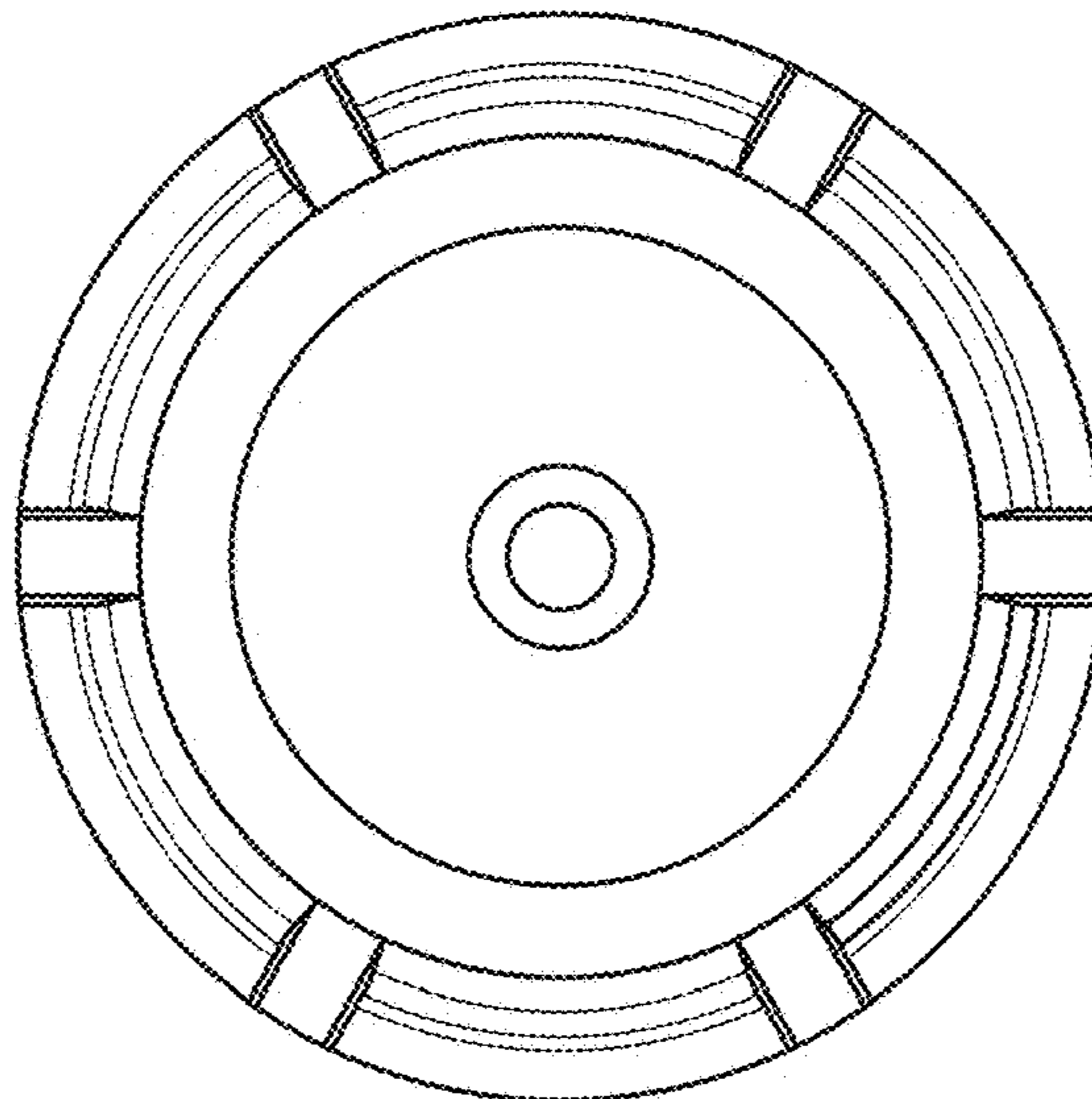


FIG. 3

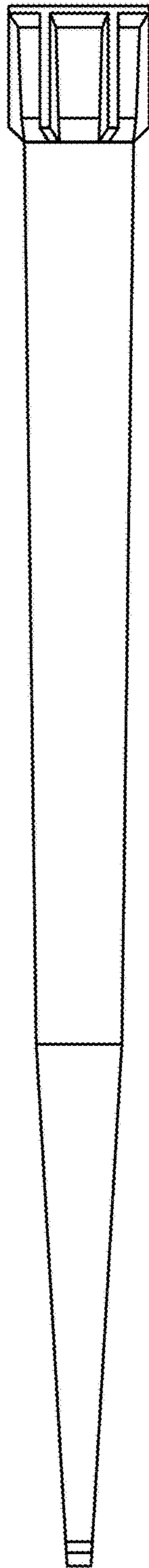


FIG. 4