

US00D847365S

(12) **United States Design Patent** (10) **Patent No.:** **US D847,365 S**  
**Vellutato, Jr.** (45) **Date of Patent:** **\*\* Apr. 30, 2019**

(54) **MICROBIAL AIR SAMPLER**

(56) **References Cited**

(71) Applicant: **Veltek Associates, Inc.**, Malvern, PA  
(US)

U.S. PATENT DOCUMENTS

(72) Inventor: **Arthur L. Vellutato, Jr.**, Malvern, PA  
(US)

3,939,409 A \* 2/1976 Hogg ..... G01N 15/12  
222/217

(73) Assignee: **Veltek Associates, Inc.**, Malvern, PA  
(US)

4,092,221 A \* 5/1978 Schlichting, Jr. .... G01N 1/10  
435/288.2

(\*\*) Term: **15 Years**

4,762,009 A \* 8/1988 Scrudto ..... G01N 1/2035  
73/863.21

(21) Appl. No.: **29/580,760**

5,421,214 A 6/1995 Burgdorfer

5,831,182 A 11/1998 Swenson

(22) Filed: **Oct. 12, 2016**

6,043,027 A \* 3/2000 Selick ..... B01L 3/5025  
422/417

6,342,388 B1 \* 1/2002 Van Den Wildenberg .....  
C12M 23/10  
435/287.1

(Continued)

**Related U.S. Application Data**

**OTHER PUBLICATIONS**

(63) Continuation of application No. 14/807,642, filed on Jul. 23, 2015, now Pat. No. 9,513,278, which is a continuation of application No. 13/930,967, filed on Jun. 28, 2013, now Pat. No. 9,121,845, which is a continuation of application No. 12/685,770, filed on Jan. 12, 2010, now Pat. No. 8,474,335.

SMA Atriums Details, posted at sterile.com, available May 19, 2016, [online], visited Aug. 30, 2017, URL:https://sterile.com/product-category/environmental-monitoring/sma-atriums/sma-atriums-details/\*

(51) **LOC (11) Cl.** ..... **24-01**

*Primary Examiner* — Anhdao Doan

(52) **U.S. Cl.**

*Assistant Examiner* — Mary Shannon Malley

USPC ..... **D24/216**

(74) *Attorney, Agent, or Firm* — Blank Rome LLP

(58) **Field of Classification Search**

(57) **CLAIM**

USPC ..... D24/216–232, 107, 108, 119, 121, 162, D24/169, 186, 201, 233, 234; D10/81; 422/430, 551–553; 435/288.3, 297.5, 435/305.3, 305.2, 305.1; 436/808, 809, 436/814, 906; 73/863.22, 863.11, 864.51

The ornamental design for a microbial air sampler, as shown and described.

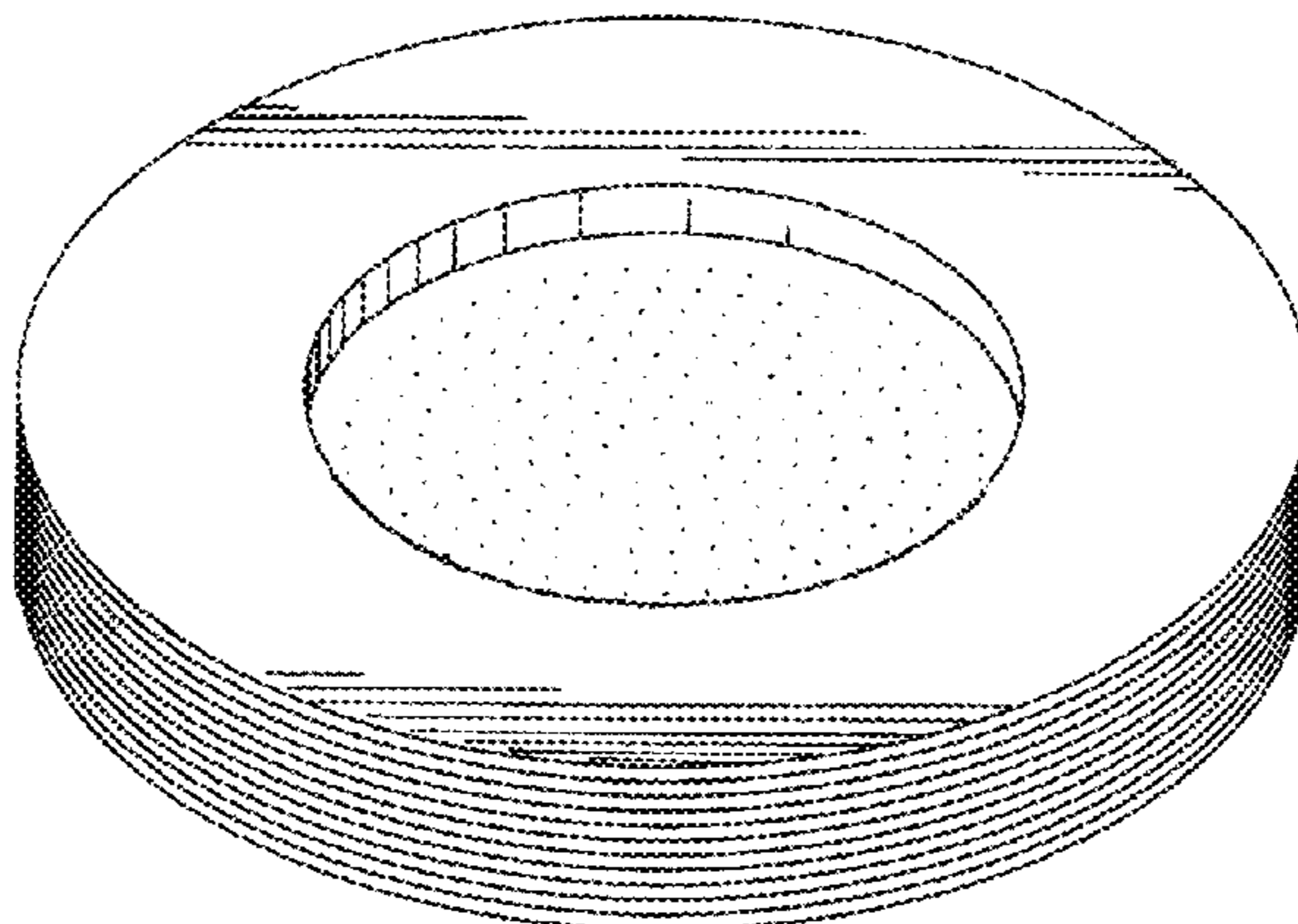
CPC ..... G01N 2035/00306; G01N 2035/00326; G01N 2035/00336; G01N 2035/00029; G01N 2035/0401; G01N 2035/0403; G01N 2035/0405; G01N 2035/00019; G01N 2030/027; G01N 35/08; G01N 35/02; G01N 35/021; G01N 35/026; G01N 35/028; G01N 35/04; G01N 1/22; G01N 1/2205; G01N 1/2273; G01N 33/497; G01N 33/4977

**DESCRIPTION**

FIG. 1 is a perspective view of a microbial air sampler showing my new design;  
FIG. 2 is a top view thereof;  
FIG. 3 is a bottom view thereof;  
FIG. 4 is a front view thereof; and,  
FIG. 5 is a cross-sectional side view thereof.  
The left and right side views are the same images as the front view.

See application file for complete search history.

**1 Claim, 2 Drawing Sheets**



(56)

**References Cited**

U.S. PATENT DOCUMENTS

6,431,014	B1	8/2002	Liu et al.	
6,472,203	B1	10/2002	Gallup et al.	
6,565,638	B1	5/2003	Sugita et al.	
6,911,343	B2	6/2005	Schembri et al.	
7,208,123	B2	4/2007	Knollenberg et al.	
D558,888	S *	1/2008	Ware .....	D24/216
7,421,911	B2	9/2008	Desrochers et al.	
7,597,014	B2 *	10/2009	Tans .....	G01N 1/16 73/864.51
8,474,335	B2	7/2013	Vellutato, Jr.	
8,578,796	B2 *	11/2013	Cho .....	G01N 1/2205 73/28.01
9,121,845	B2	9/2015	Vellutato, Jr.	
2005/0058575	A1	3/2005	Ishikawa et al.	
2008/0087108	A1	4/2008	Kreikebaum et al.	
2010/0059183	A1 *	3/2010	Lin .....	H01L 21/67132 156/351
2010/0171625	A1	7/2010	Calio	
2011/0167931	A1 *	7/2011	Vellutato, Jr. ....	G01N 33/497 73/863.11
2013/0319239	A1 *	12/2013	Takenaka .....	G01N 1/2273 95/267

\* cited by examiner

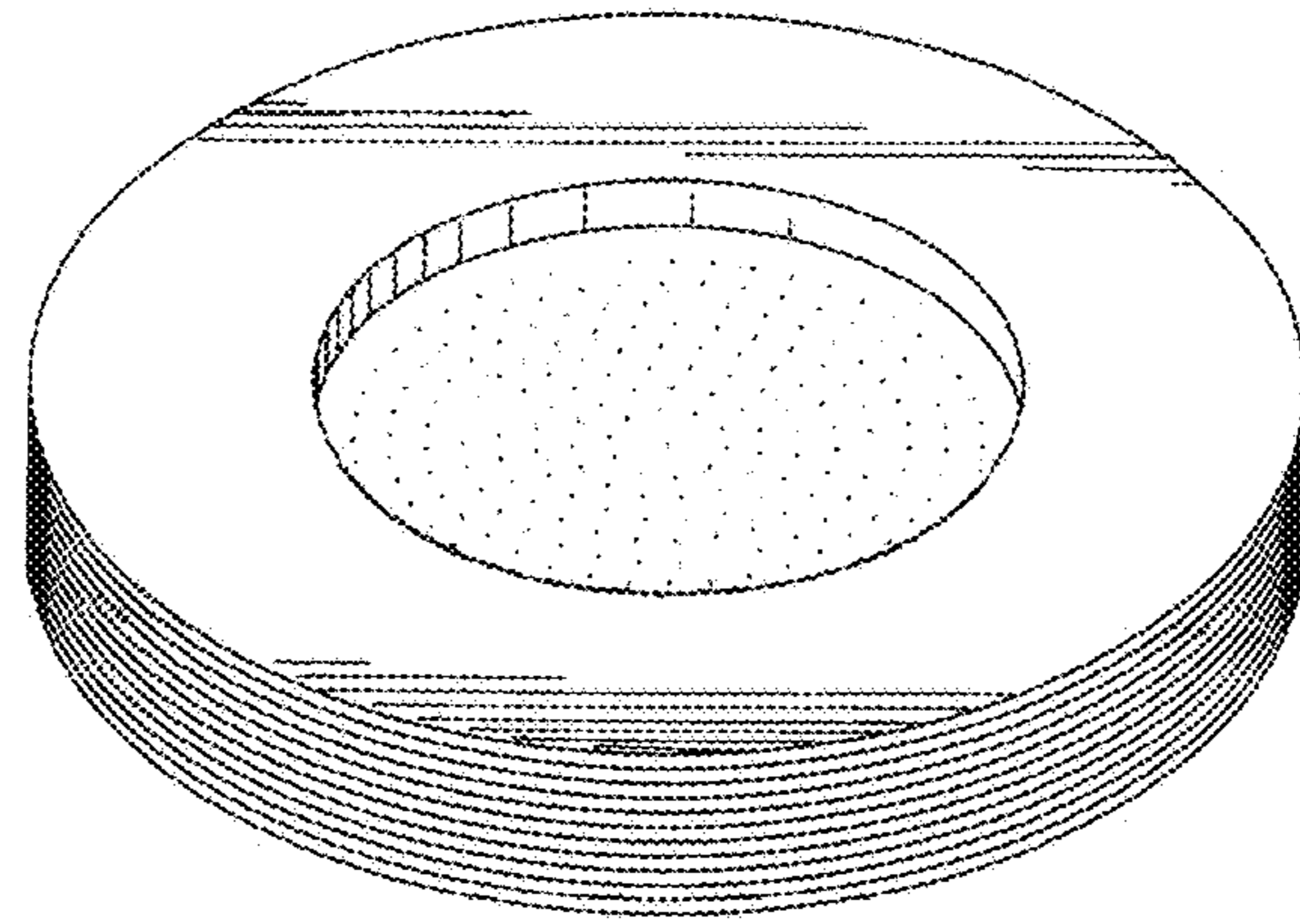


FIG. 1

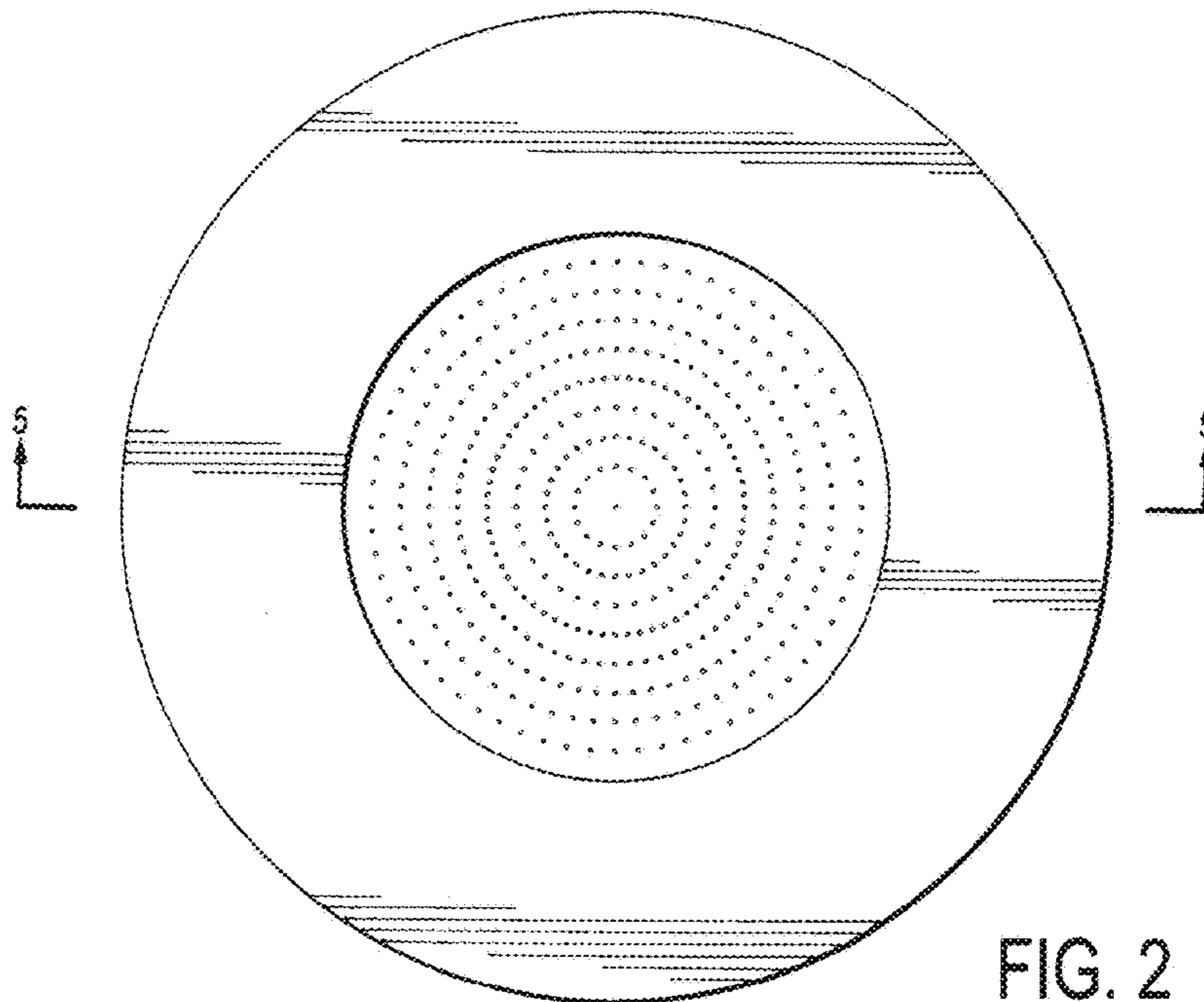


FIG. 2

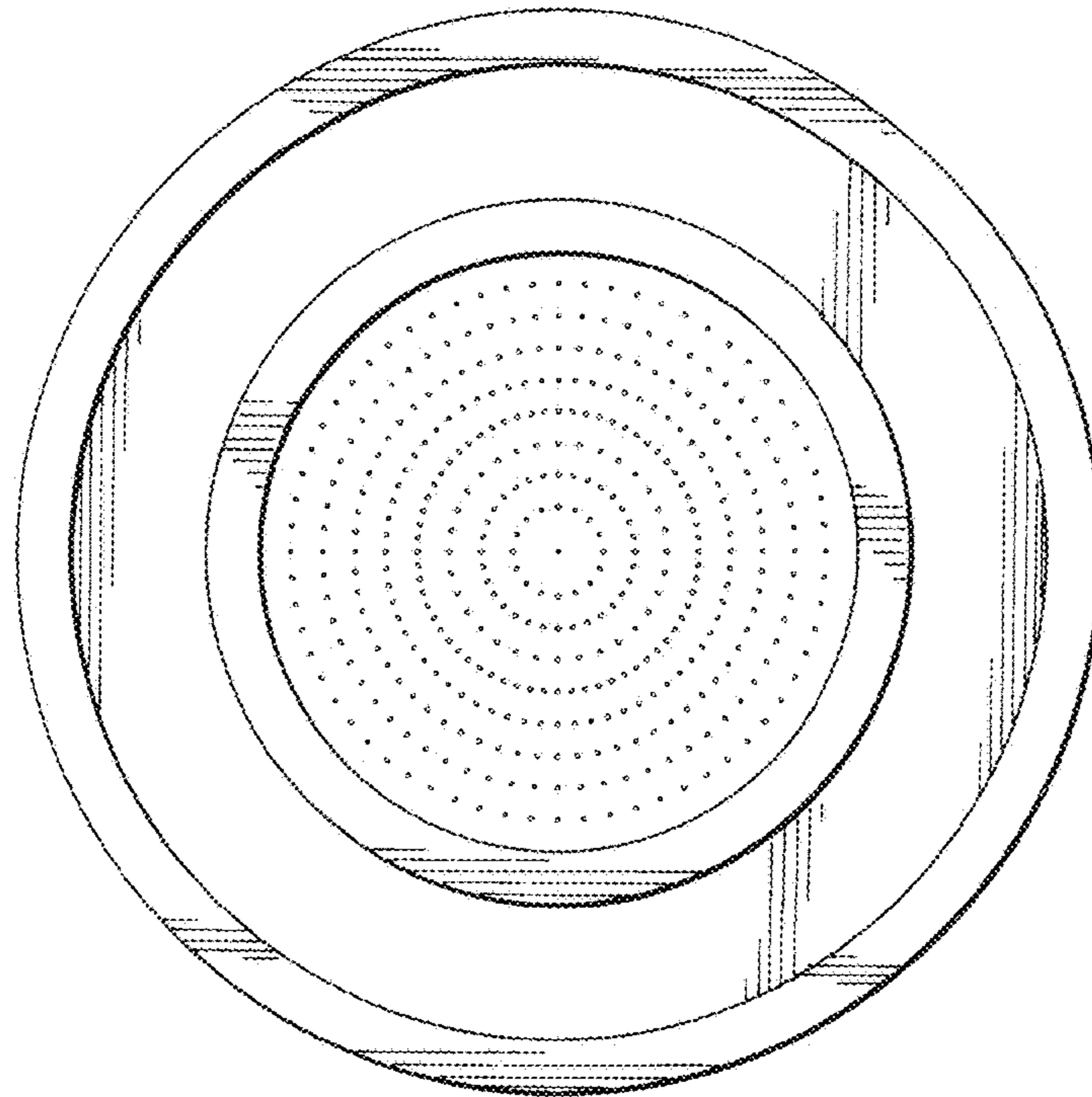


FIG. 3

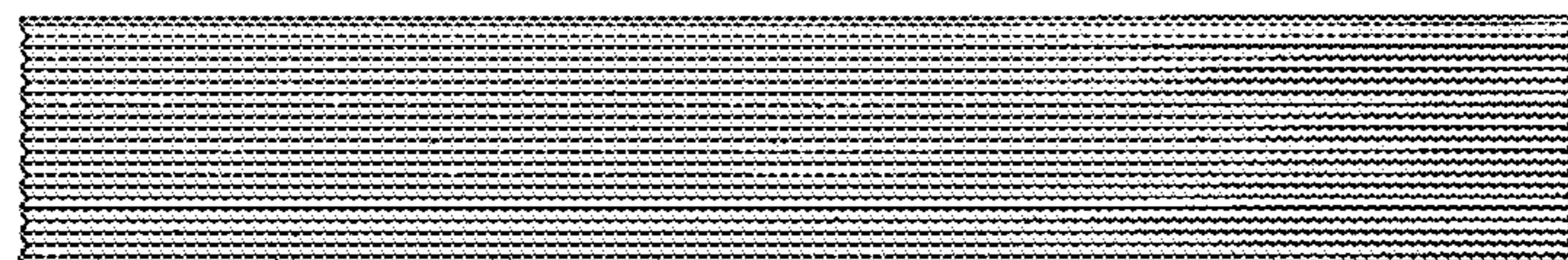


FIG. 4

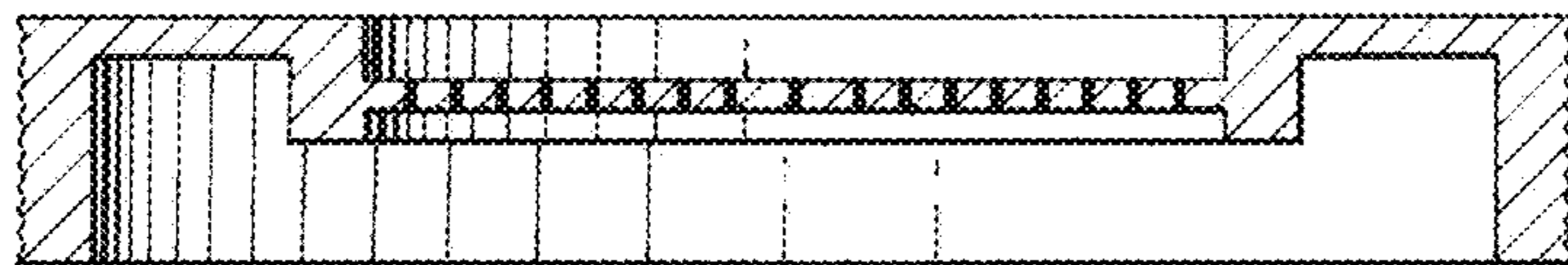


FIG. 5