



US00D847364S

(12) **United States Design Patent** (10) **Patent No.:** **US D847,364 S**
Lee et al. (45) **Date of Patent:** **** Apr. 30, 2019**

(54) **MESSAGE APPLIANCE**

FOREIGN PATENT DOCUMENTS

(71) Applicant: **Pado, Inc.**, Valencia, CA (US)

CI D 170541 5/2017
CN 2297192 Y 11/1998

(72) Inventors: **Steven Lee**, Valencia, CA (US);
Alejandro Garfio, Mission Viejo, CA
(US); **Travis Frye**, Burbank, CA (US)

(Continued)

(73) Assignee: **Pado, Inc.**, Valencia, CA (US)

OTHER PUBLICATIONS

(**) Term: **15 Years**

Timtam Power Massager V1.5, retrieved from <https://timtam.tech/products/timtam-power-massager-v1-5> approximately Aug. 31, 2018.

(Continued)

(21) Appl. No.: **29/663,757**

Primary Examiner — Rhea Shields

(22) Filed: **Sep. 18, 2018**

(74) *Attorney, Agent, or Firm* — Intellectual Property
Law Offices of Joel Voelzke, APC

(51) **LOC (11) Cl.** **28-03**

(57) **CLAIM**

The ornamental design for a massage appliance, as shown and described.

(52) **U.S. Cl.**

DESCRIPTION

USPC **D24/215**

(58) **Field of Classification Search**

USPC D24/215, 211, 214, 141, 212, 104, 190;
D21/662; D4/114; 482/132; 601/107
CPC . A61H 15/0092; A63B 21/0004; A45D 44/22
See application file for complete search history.

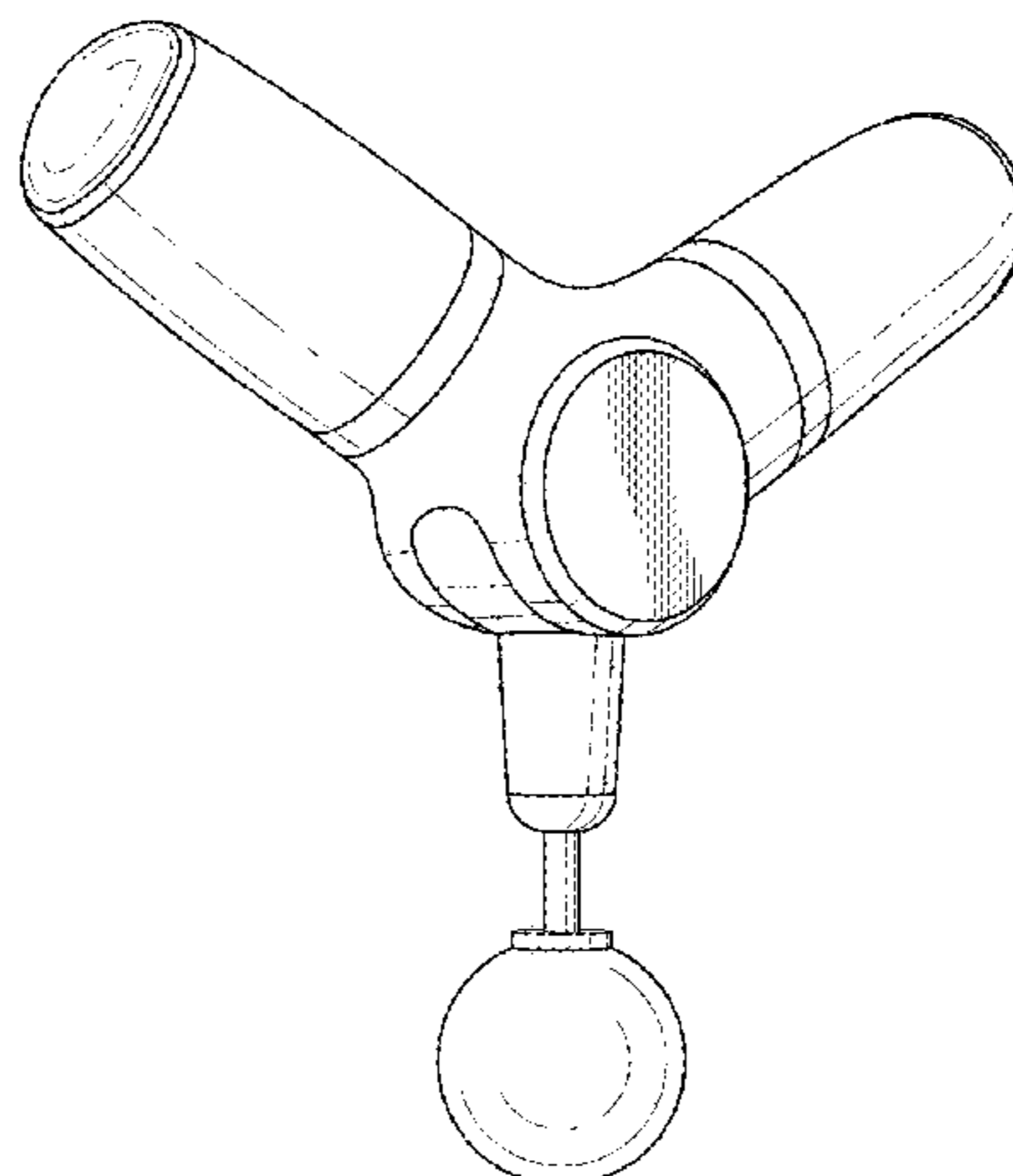
FIG. 1 is an oblique view a massage appliance showing our new design;
FIG. 2 is a side elevation view thereof showing the front side thereof;
FIG. 3 is side elevation view thereof, showing the back side thereof;
FIG. 4 is a side elevation view thereof, showing the left side thereof;
FIG. 5 is side elevation view thereof, showing the right side thereof;
FIG. 6 is a top plan view thereof; and,
FIG. 7 is a bottom plan view thereof.
The dash-dash-dash type broken lines shown in the drawing are included for the purpose of illustrating environmental structure, and form no part of the claimed design. The dot-dash-dot-dash type broken lines shown in the drawings define the boundaries of the claimed design. Shading lines are to show contours rather than surface ornamentation.

(56) **References Cited**

U.S. PATENT DOCUMENTS

D222,570 S 11/1971 Rowley et al.
D301,617 S 6/1989 Yonesawa et al.
D373,197 S 8/1996 Schepper
D385,965 S * 11/1997 Wallesen D24/212
D388,175 S 12/1997 Lie
D407,498 S 3/1999 Cooper
6,102,876 A * 8/2000 Winger A61H 15/0092
601/107
D447,810 S * 9/2001 Hannah D24/214
D456,909 S 5/2002 Szabo
D469,879 S * 2/2003 Chen D24/211

1 Claim, 5 Drawing Sheets



(56)

References Cited

U.S. PATENT DOCUMENTS

D484,248 S 12/2003 O'Brien
 D484,608 S * 12/2003 Tinsley D24/214
 D510,139 S * 9/2005 Gilad D24/104
 6,979,285 B2 * 12/2005 Lovison A63B 21/0004
 482/132
 D530,020 S 10/2006 Cooper
 D532,113 S * 11/2006 Huang D24/214
 D627,897 S 11/2010 Yde et al.
 D639,442 S * 6/2011 Chandler A45D 44/22
 D24/190
 D649,657 S 11/2011 Petersen et al.
 D655,919 S * 3/2012 Daley D4/114
 D656,621 S * 3/2012 Matsushita D24/215
 D657,065 S 4/2012 Matsushita
 D657,831 S * 4/2012 Kurpat D21/662
 D666,734 S * 9/2012 Takashima D24/215
 D673,284 S * 12/2012 Lowsky D24/214
 D674,500 S * 1/2013 Matsushita D24/211
 D695,413 S * 12/2013 Grust D24/214
 D698,935 S * 2/2014 Larson D24/215
 D708,755 S 7/2014 Kim
 D725,788 S * 3/2015 Matsushita D24/211
 D728,115 S * 4/2015 Matsushita D24/211
 D761,429 S * 7/2016 Sedic D24/141
 D818,599 S 5/2018 Lee
 D820,466 S * 6/2018 Matsushita D24/215

D826,418 S * 8/2018 Lad D24/215
 2006/0155220 A1 7/2006 Oslay
 2017/0326021 A1 11/2017 Matsushita

FOREIGN PATENT DOCUMENTS

CN 203710331 U 7/2014
 DE 3822394 A1 1/1990
 EM 002384149 1/2014
 EM 005542016 8/2018
 MY 14000590202 9/2014

OTHER PUBLICATIONS

Back Muscle Pain Massger Wooden Stick T-Shaped Cross Wood Body Therapy Spa, retrieved from eBay.com approximately Aug. 31, 2018.
 Wahl Deep-Tissue Percussion Therapy Massager, retrieved from <https://wahlusa.com/products/deep-tissue-4290-300> approximately Aug. 31, 2018.
 Zyllion ZMA-16 Handheld Therapeutic Percussion Massager With Heat, retrieved as an archived version from Amazon.com dated Apr. 10, 2016.
 Point Relief Manual Massager, retrieved from <https://www.fab-ent.com/massage/manual-massagers/point-relief-manual-massager/> approximately Aug. 3, 2018.
 Y Shape Solar Energy Beauty Bar/Body Massage Roller, retrieved from <http://worjaku.com/product/y-shape-solar-energy-beauty-bar-body-massage-roller/> approximately Aug. 3, 2018.

* cited by examiner

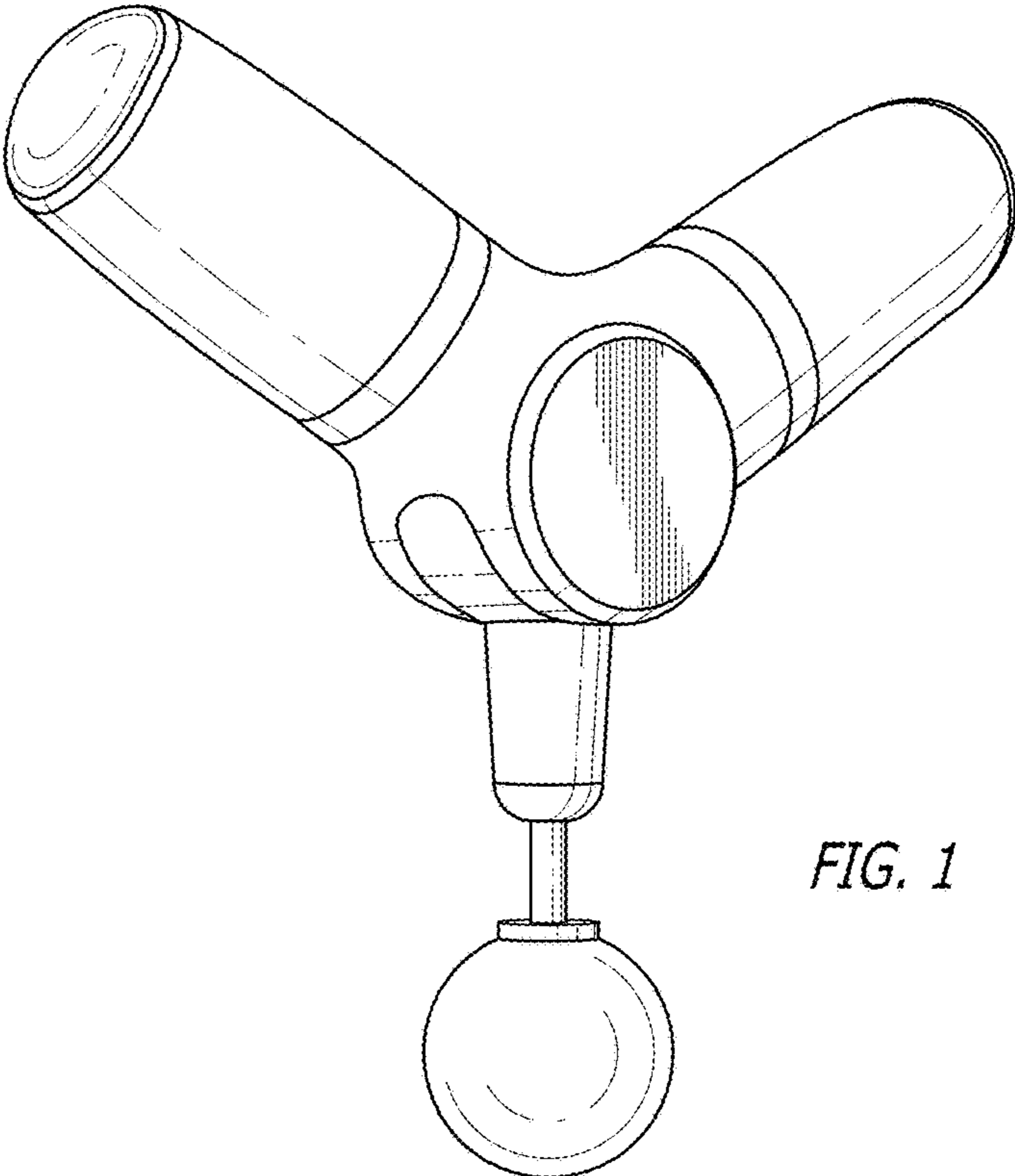


FIG. 1

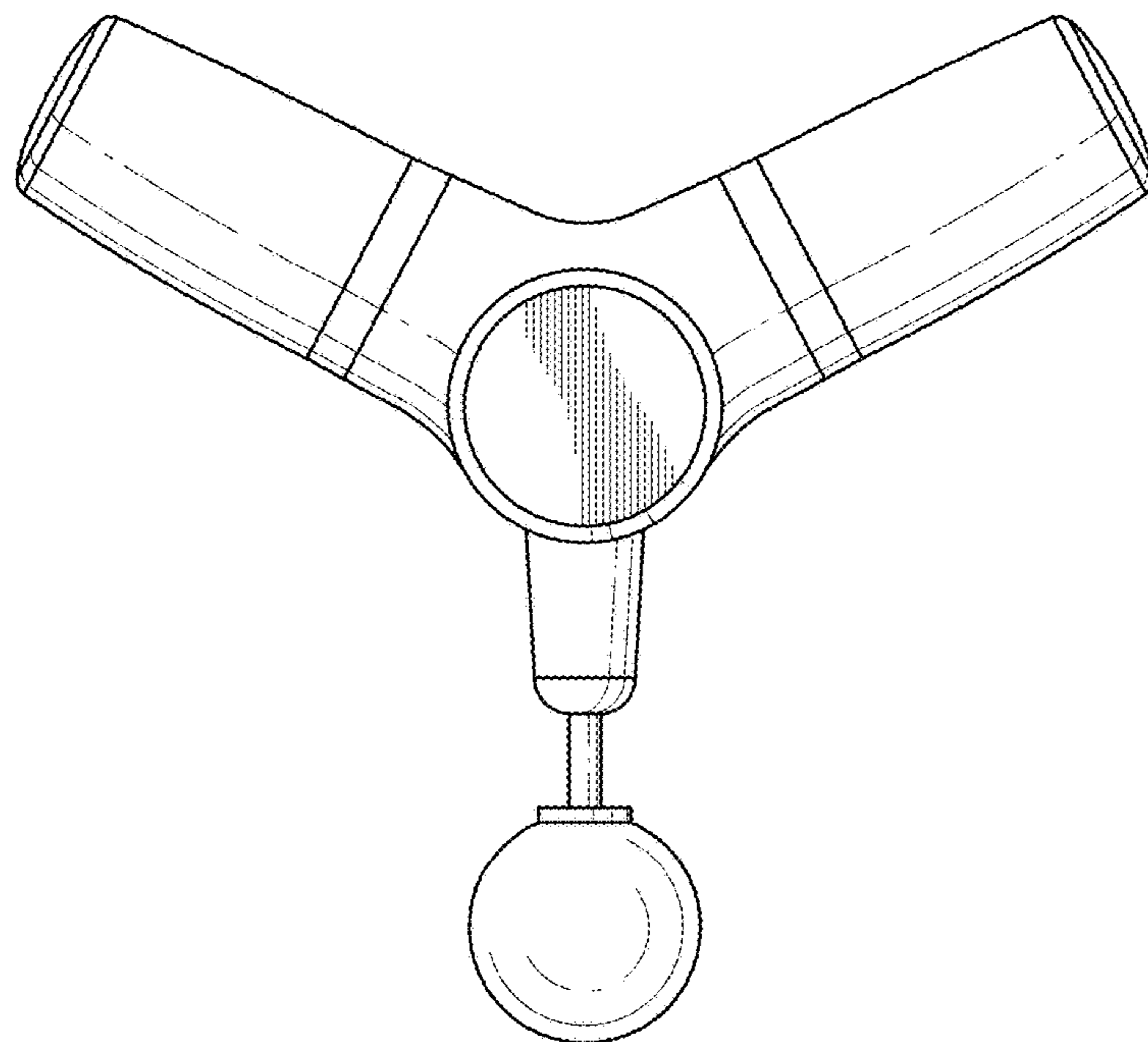


FIG. 2

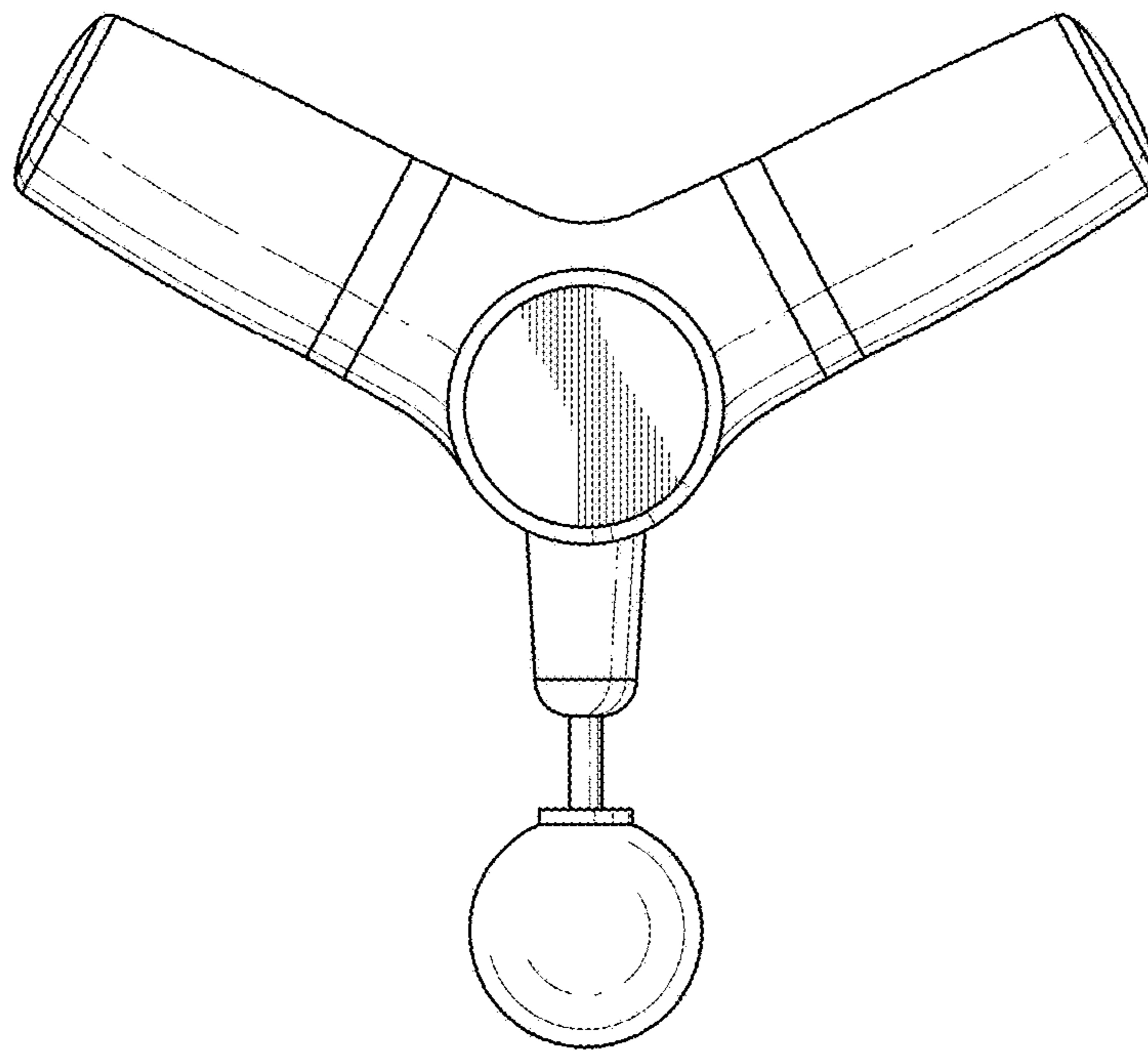


FIG. 3

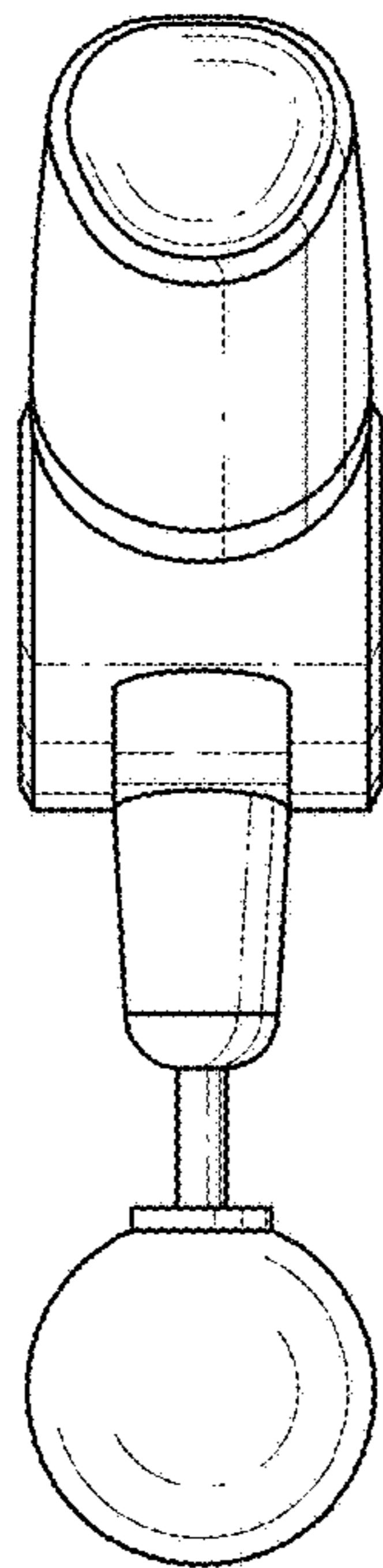


FIG. 4

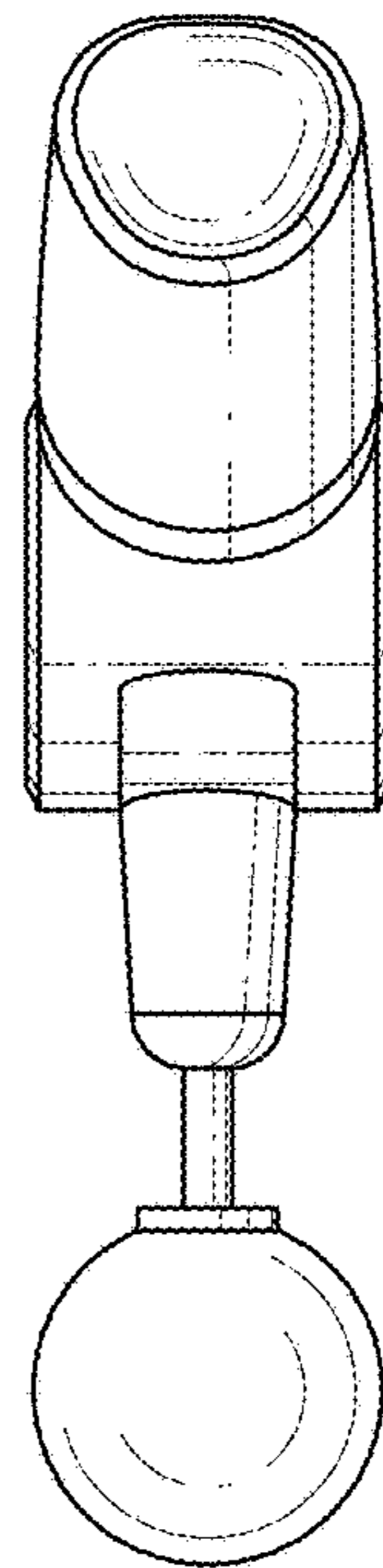


FIG. 5

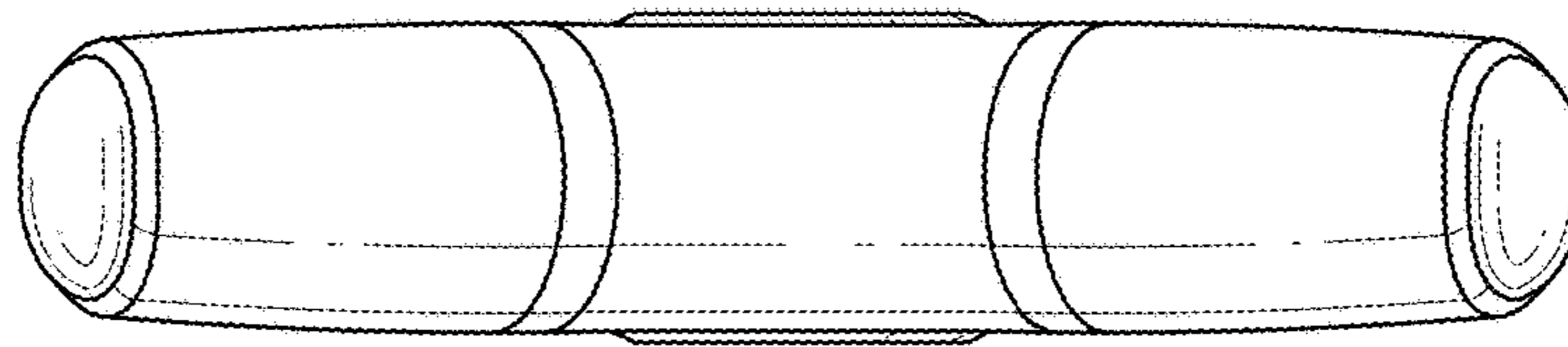


FIG. 6

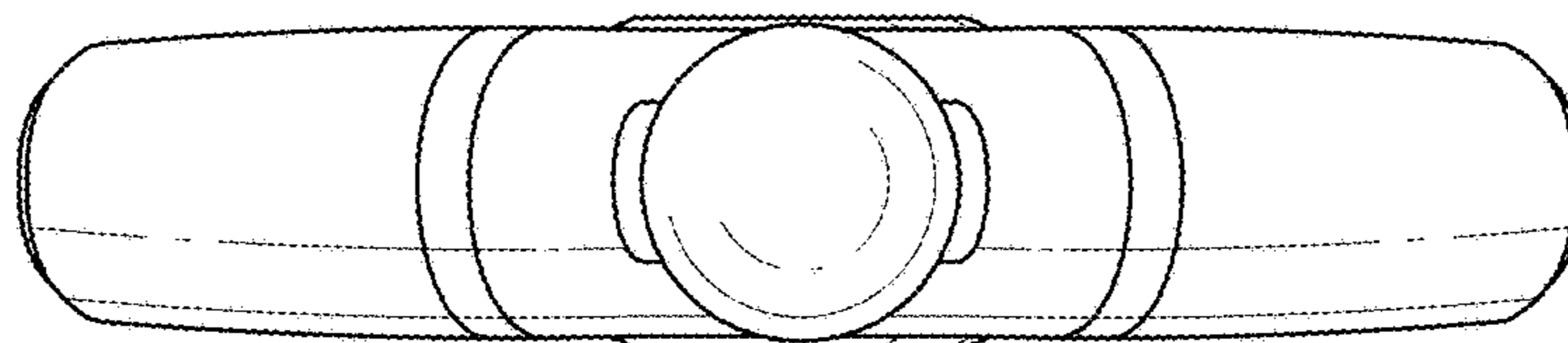


FIG. 7