



US00D847360S

(12) **United States Design Patent** (10) **Patent No.:** **US D847,360 S**
Levi (45) **Date of Patent:** **** Apr. 30, 2019**

(54) **SKIN TIGHTENING DEVICE**
(71) Applicant: **BenZion Levi**, Habonim (IL)
(72) Inventor: **BenZion Levi**, Habonim (IL)
(73) Assignee: **Home Skinovations Ltd.**, Yokneam (IL)
(**) Term: **15 Years**
(21) Appl. No.: **29/590,371**
(22) Filed: **Jan. 10, 2017**
(51) **LOC (11) Cl.** **28-03**
(52) **U.S. Cl.**
USPC **D24/214**
(58) **Field of Classification Search**
USPC 362/4, 5, 6, 61, 175; 601/1, 6, 15, 16, 601/17, 18, 19, 20, 21, 22; 606/2, 9, 36; 607/2, 96, 98, 99, 115, 145, 148; D10/46, 49, 50, 52, 57; D16/237, 239; D24/200, 206, 209, 211, 212, 214, 215; D26/1, 42, 45, 48, 49, 50, 51, 113; D4/100, 102, 127, 137, 138
CPC A61H 2201/0153; A61H 7/003; A61H 2015/0014; A61B 17/1325
See application file for complete search history.

(56) **References Cited**
U.S. PATENT DOCUMENTS
D218,475 S * 8/1970 Allyn D26/45
D323,034 S * 1/1992 Reinstein D24/200
D351,236 S * 10/1994 Held D24/215
D359,563 S * 6/1995 Chi D24/214
D372,788 S * 8/1996 Brun D24/215
D414,582 S * 9/1999 Hwang D24/200
D422,729 S * 4/2000 Chiu D26/42
D463,862 S * 10/2002 Lau D24/214
D476,746 S * 7/2003 Harris D24/214
D478,385 S * 8/2003 Dirks D24/215

D556,332 S * 11/2007 Han D24/200
D609,361 S * 2/2010 McGarry D24/209
D609,817 S * 2/2010 Piller D24/215
D612,510 S * 3/2010 Byle D24/210
D621,950 S * 8/2010 Seki D24/107
D652,523 S * 1/2012 Bradley D24/209
D664,053 S * 7/2012 Lacotta D10/57
D666,111 S * 8/2012 Lacotta D10/57
D676,770 S * 2/2013 Lacotta D10/57
D689,382 S * 9/2013 Juhng D10/57
D692,571 S * 10/2013 Luzon D24/215
D693,247 S * 11/2013 Juhng D10/57
D695,903 S * 12/2013 Tamsiran D24/209
D700,077 S * 2/2014 Wurts D10/57
D700,078 S * 2/2014 Wurts D10/57
D706,445 S * 6/2014 Logan D24/215

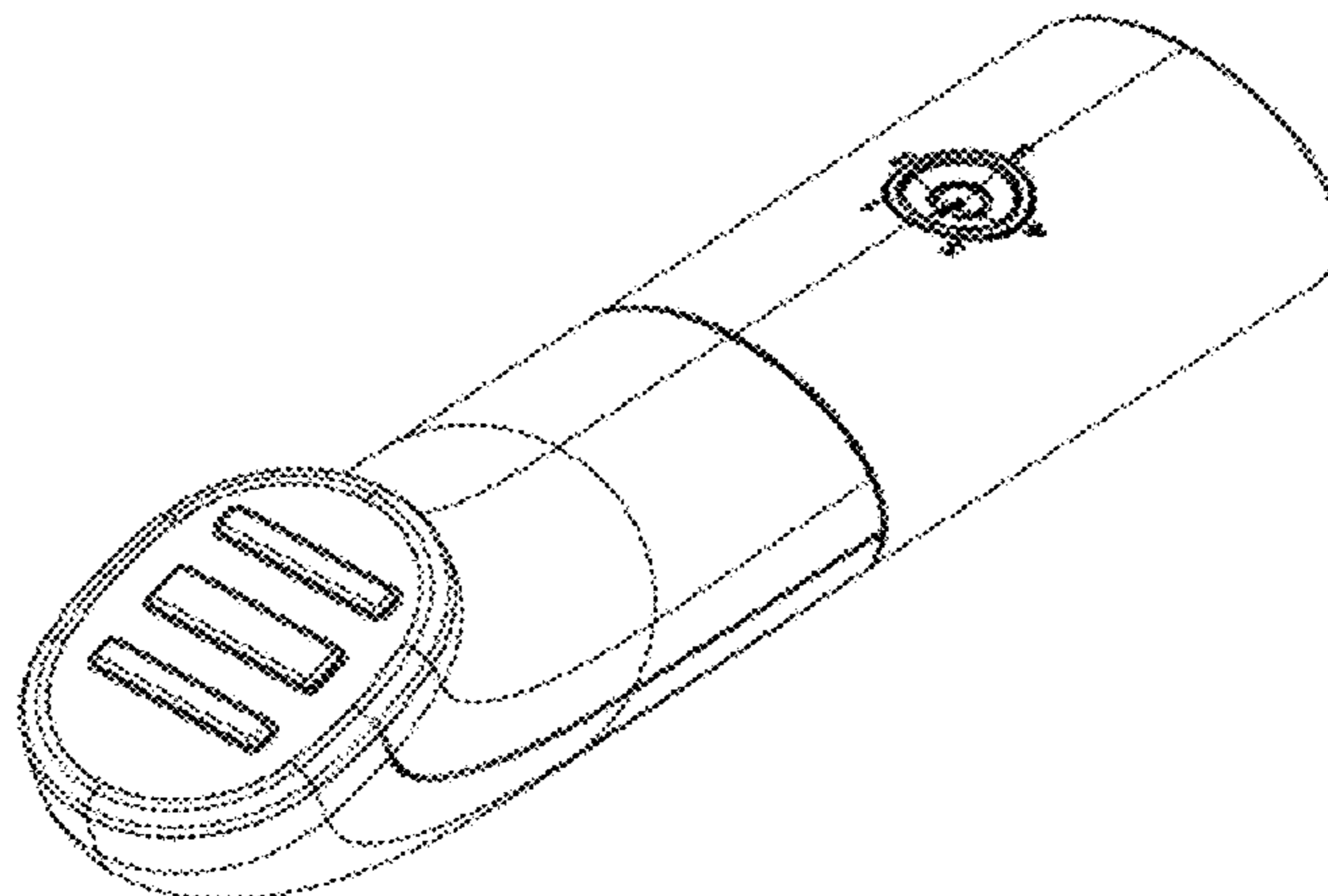
(Continued)

Primary Examiner — Cynthia Ramirez
Assistant Examiner — Michael A Maharajh
(74) *Attorney, Agent, or Firm* — Dekel Patent Ltd.; David Klein

(57) **CLAIM**
The ornamental design for a skin tightening device, as shown and described.

DESCRIPTION
FIG. 1 is a left front perspective view of a skin tightening device, showing my new design;
FIG. 2 is a right rear perspective view thereof;
FIG. 3 is a left rear perspective view thereof;
FIG. 4 is a right front perspective view thereof;
FIG. 5 is a front end view thereof;
FIG. 6 is a rear end view thereof;
FIG. 7 is a left side view thereof; the right side view being a mirror image thereof;
FIG. 8 is a top view thereof; and,
FIG. 9 is a bottom view thereof.
The broken lines illustrate portions of the skin tightening device and form no part of the claimed design.

1 Claim, 4 Drawing Sheets



(56)

References Cited

U.S. PATENT DOCUMENTS

D708,440	S *	7/2014	Owen	D4/102
D726,926	S *	4/2015	Matsushita	D24/200
D734,479	S *	7/2015	Youngquist	D24/158
D736,399	S *	8/2015	Nichols	D24/214
D736,462	S *	8/2015	Hendler	D24/112
D742,568	S *	11/2015	Abernethy	D26/42
D757,953	S *	5/2016	Philips	D24/200
D759,256	S *	6/2016	Chen	D24/200
D759,831	S *	6/2016	Levi	D24/200
D763,494	S *	8/2016	Ma	D26/42
D773,823	S *	12/2016	Wong	D4/102
D780,933	S *	3/2017	Uchida	D24/200
D794,854	S *	8/2017	Zepter	D24/200
D797,302	S *	9/2017	Vahlensieck	D24/209
D804,332	S *	12/2017	Lim	D10/57
D804,826	S *	12/2017	Kling	D4/127
D805,781	S *	12/2017	Szymanski	D4/102
D809,170	S *	1/2018	Marzynski	D26/45
D809,945	S *	2/2018	Prommel	D10/57
2005/0159684	A1 *	7/2005	Ikadai	A61M 1/0058 601/6
2016/0058509	A1 *	3/2016	Van De Wouw	A61B 18/203 606/9

* cited by examiner

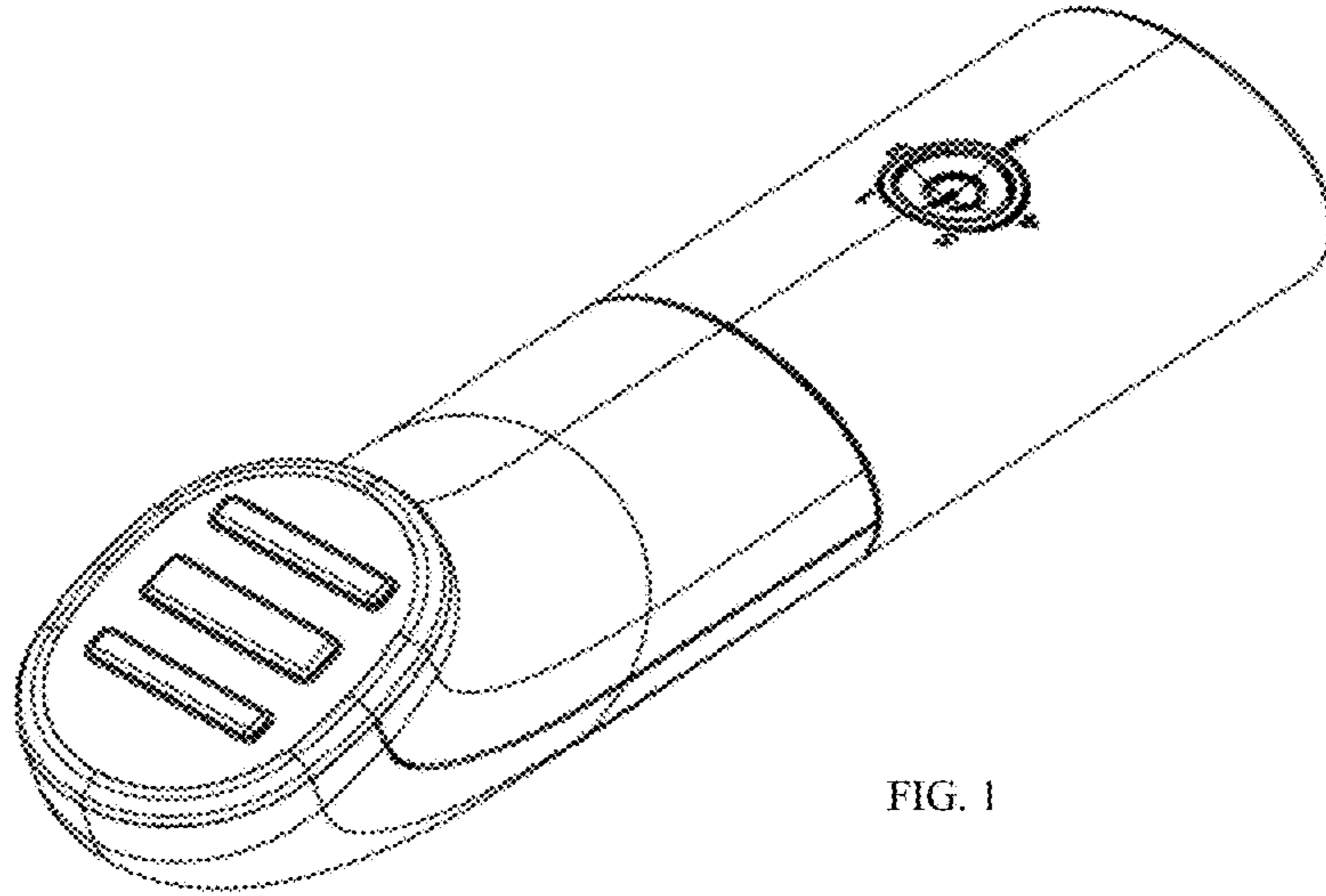


FIG. 1

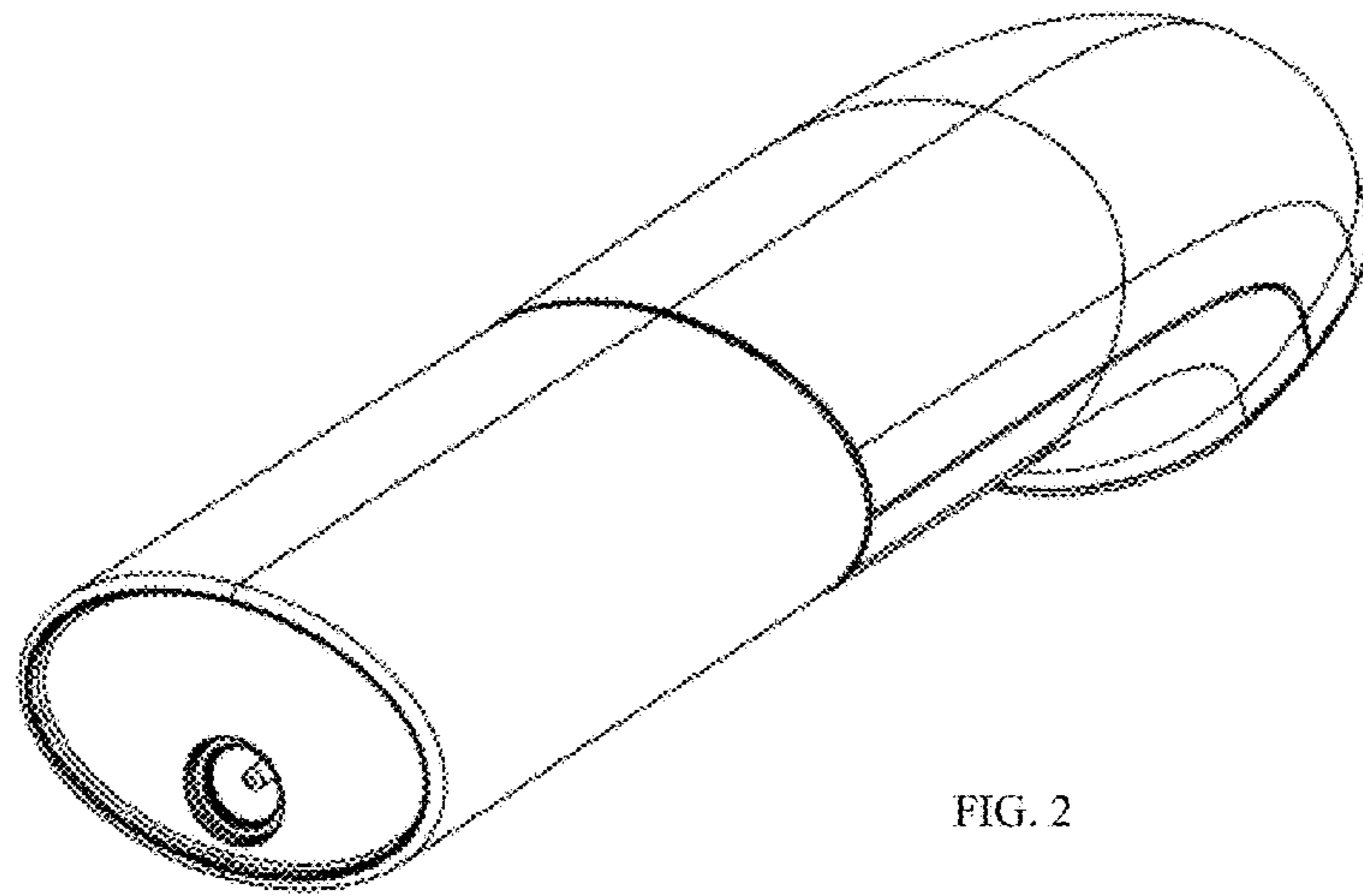


FIG. 2

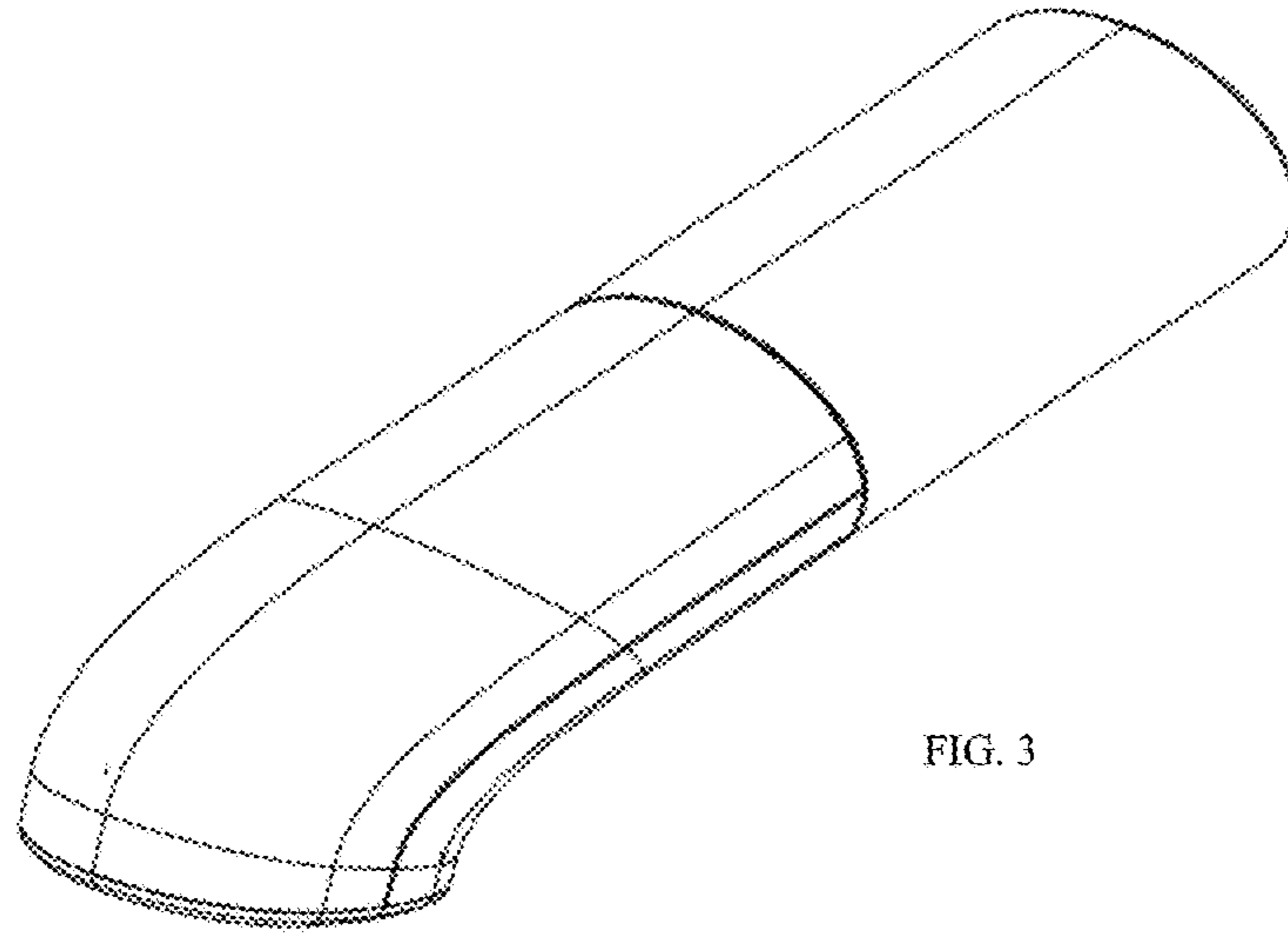


FIG. 3

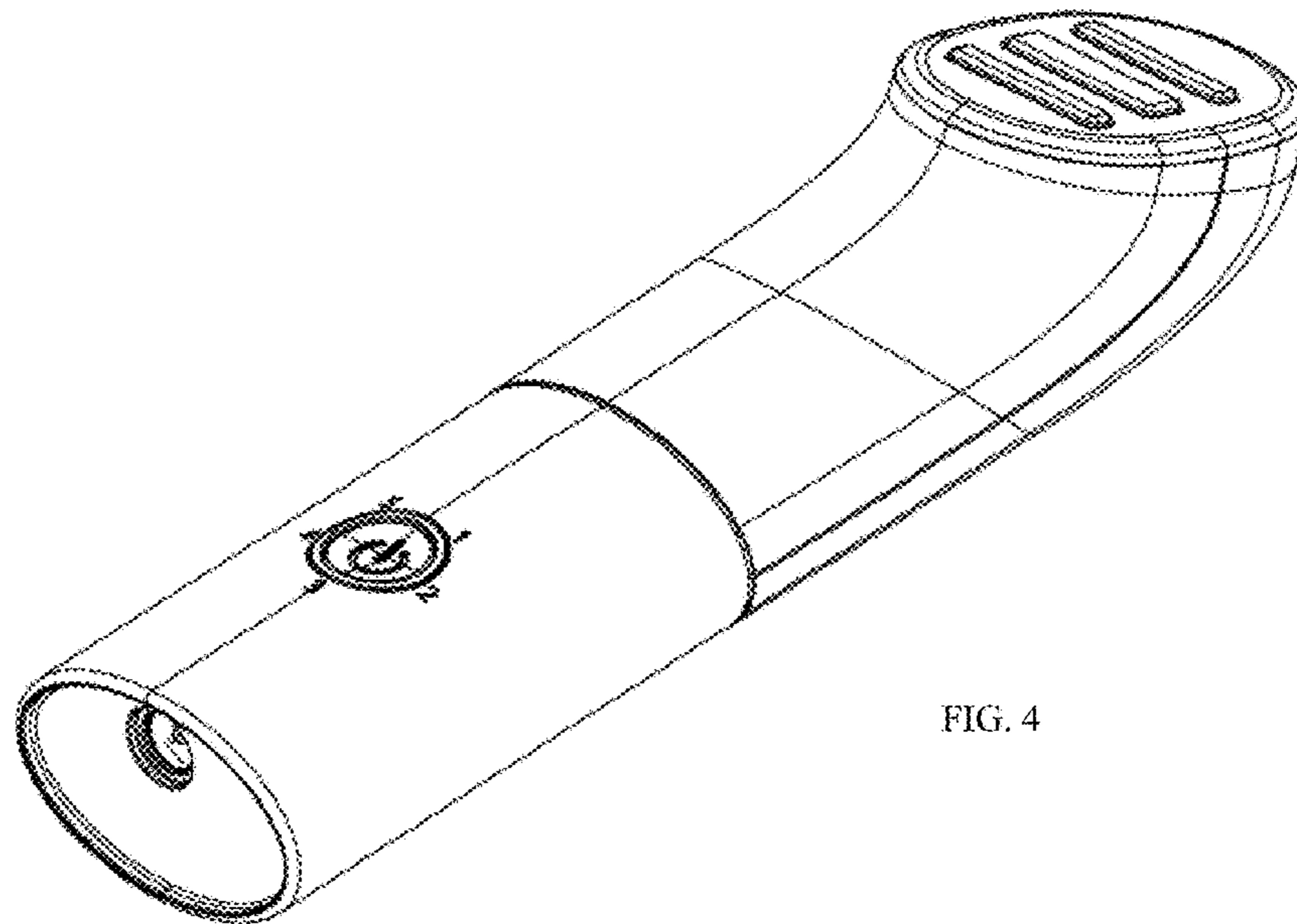


FIG. 4

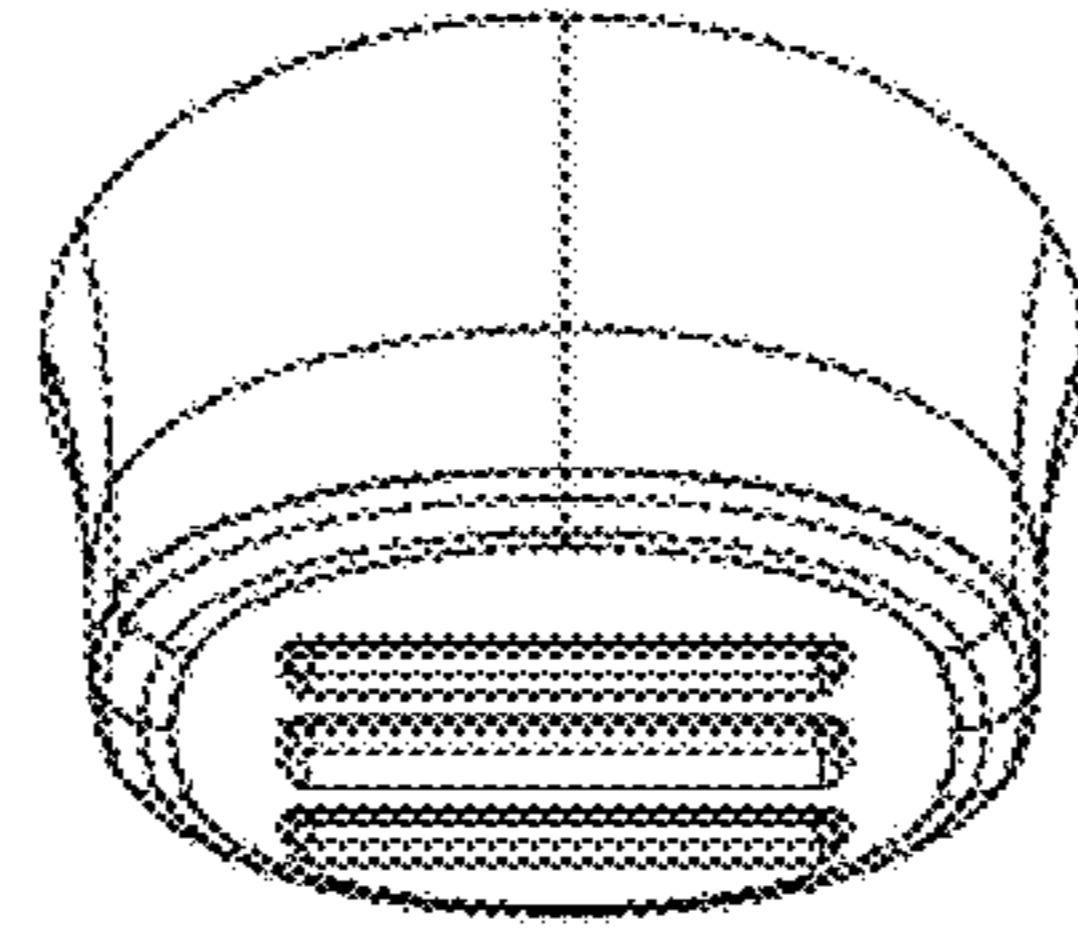


FIG. 5

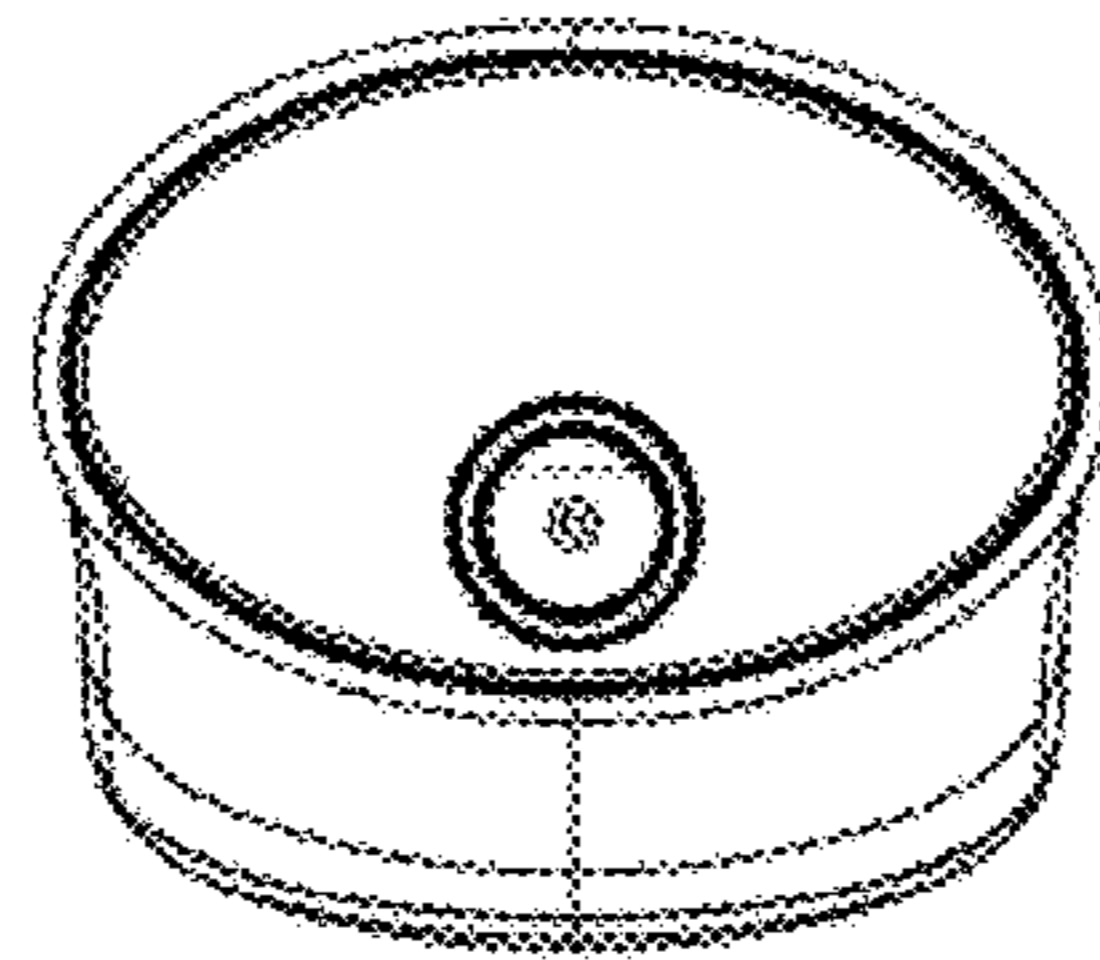


FIG. 6

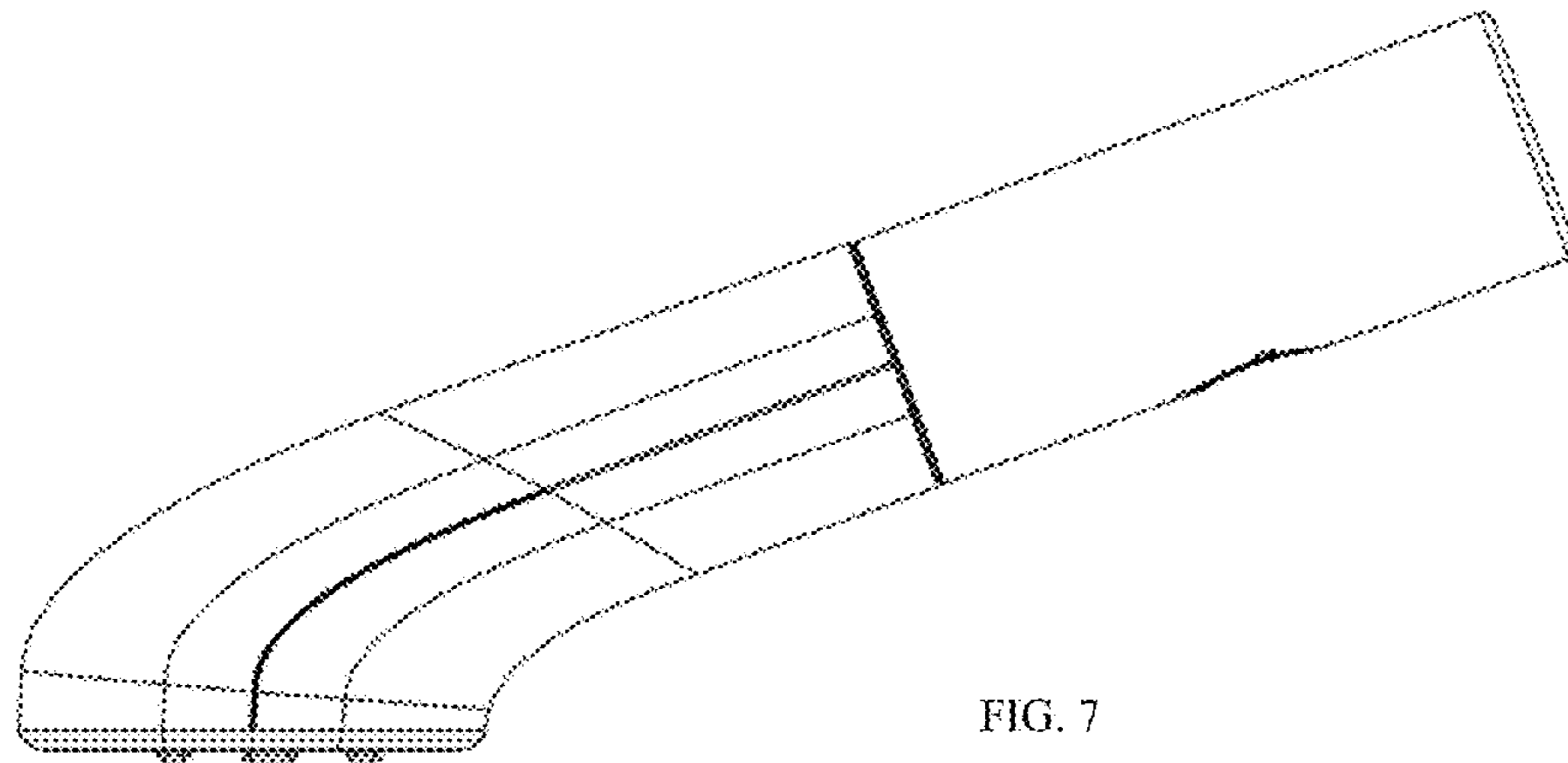


FIG. 7

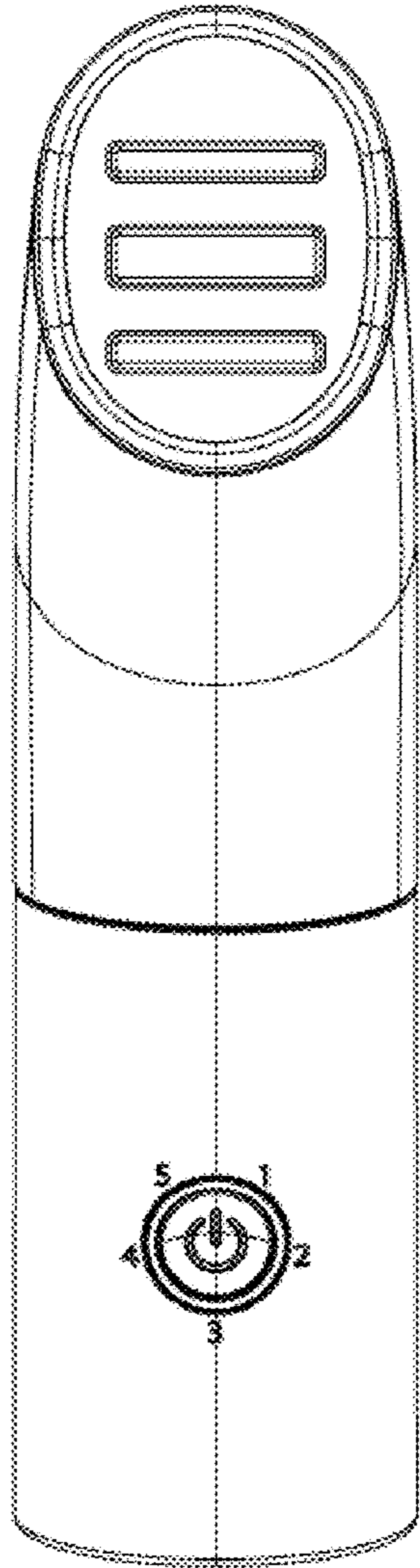


FIG. 8

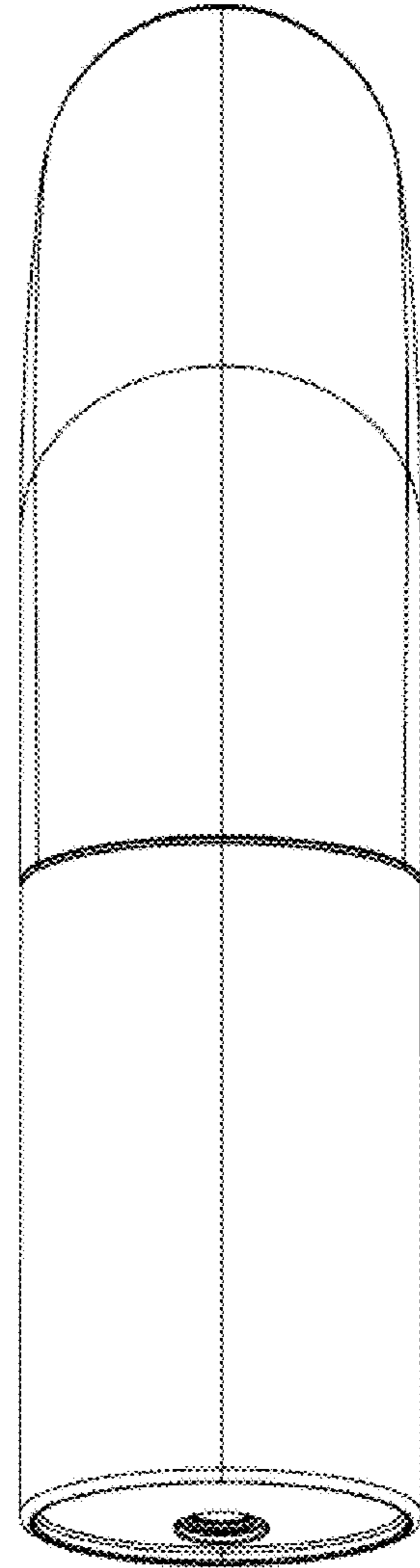


FIG. 9