



US00D847359S

(12) **United States Design Patent**  
**Kern et al.**

(10) **Patent No.:** **US D847,359 S**  
(45) **Date of Patent:** **\*\* Apr. 30, 2019**

(54) **WEARABLE MICROCURRENT DEVICE**

2011/0224743 A1\* 9/2011 Britt ..... A61N 1/328  
607/2

(71) Applicant: **NSE Products, Inc.**, Provo, UT (US)

\* cited by examiner

(72) Inventors: **Dale G. Kern**, Hyde Park, UT (US);  
**Richard R. Best**, Mapleton, UT (US);  
**Toan Doan**, Orem, UT (US)

*Primary Examiner* — Wan Laymon  
(74) *Attorney, Agent, or Firm* — Dorsey & Whitney LLP

(73) Assignee: **NSE Products, Inc.**, Provo, UT (US)

(57) **CLAIM**

The ornamental design for a wearable microcurrent device, as shown and described.

(\*\*) Term: **15 Years**

**DESCRIPTION**

(21) Appl. No.: **29/631,894**

FIG. 1 is a front isometric view of a wearable microcurrent device.

(22) Filed: **Jan. 3, 2018**

FIG. 2 is a rear isometric view of the wearable microcurrent device of FIG. 1.

(51) **LOC (11) Cl.** ..... **28-03**

FIG. 3 is a front elevation view of the wearable microcurrent device of FIG. 1.

(52) **U.S. Cl.**

USPC ..... **D24/200**

FIG. 4 is a rear elevation view of the wearable microcurrent device of FIG. 1.

(58) **Field of Classification Search**

USPC ..... D24/200, 190, 187, 214–215

CPC ..... A61N 1/328; A61N 1/322; A61N 1/36;

A61N 5/022; A61N 2005/0644; A61H

7/00; A61H 7/004; A61H 7/005; Y10S

601/03

FIG. 5 is a left side elevation view of the wearable microcurrent device of FIG. 1.

FIG. 6 is a right side elevation view of the wearable microcurrent device of FIG. 1.

See application file for complete search history.

FIG. 7 is a top plan view of the wearable microcurrent device of FIG. 1; and,

FIG. 8 is a bottom plan view of the wearable microcurrent device of FIG. 1.

(56) **References Cited**

**U.S. PATENT DOCUMENTS**

8,639,361 B2\* 1/2014 Nathanson ..... A61N 1/328  
607/145

9,205,254 B1\* 12/2015 Britt ..... A61N 1/322

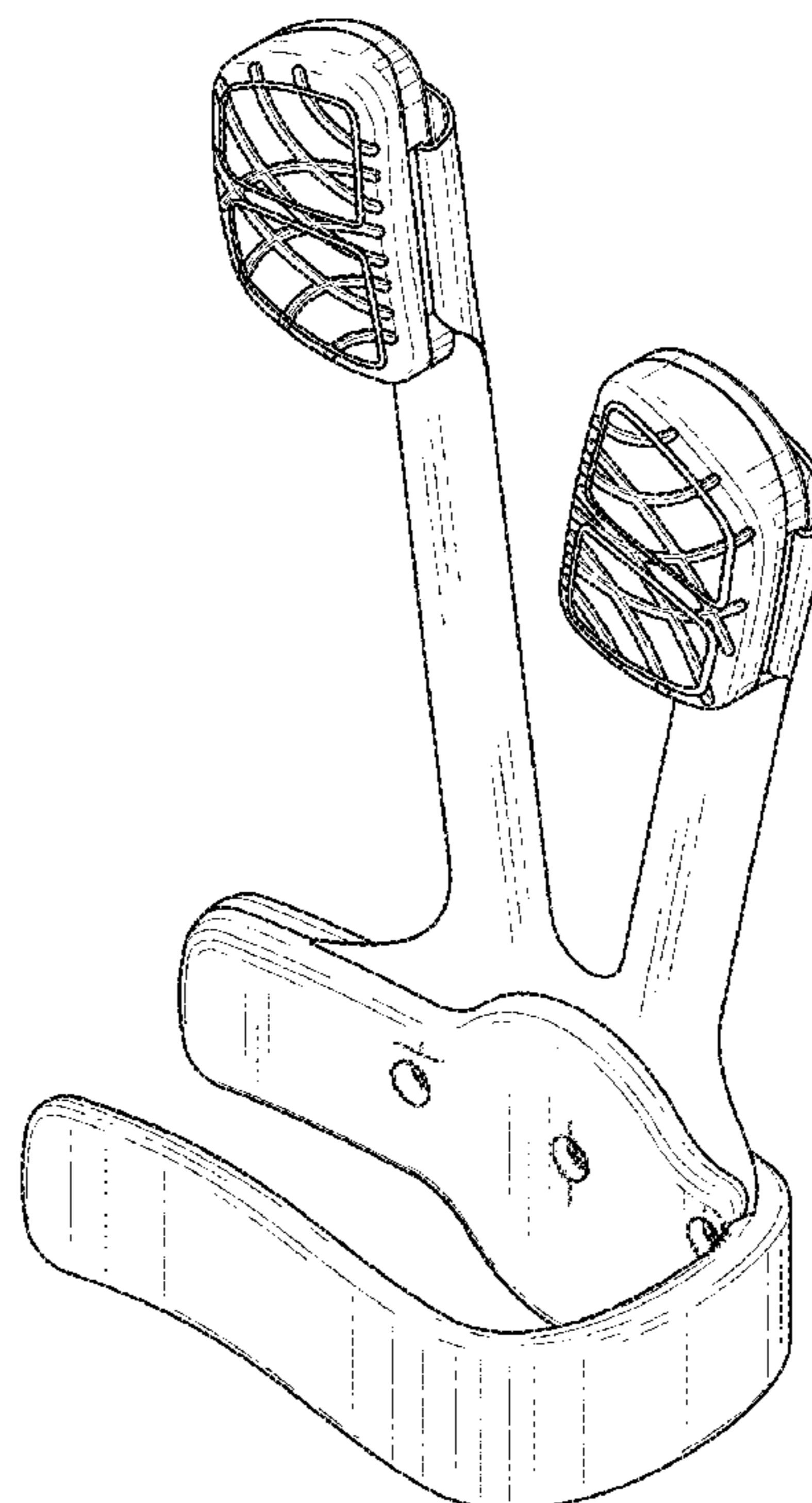
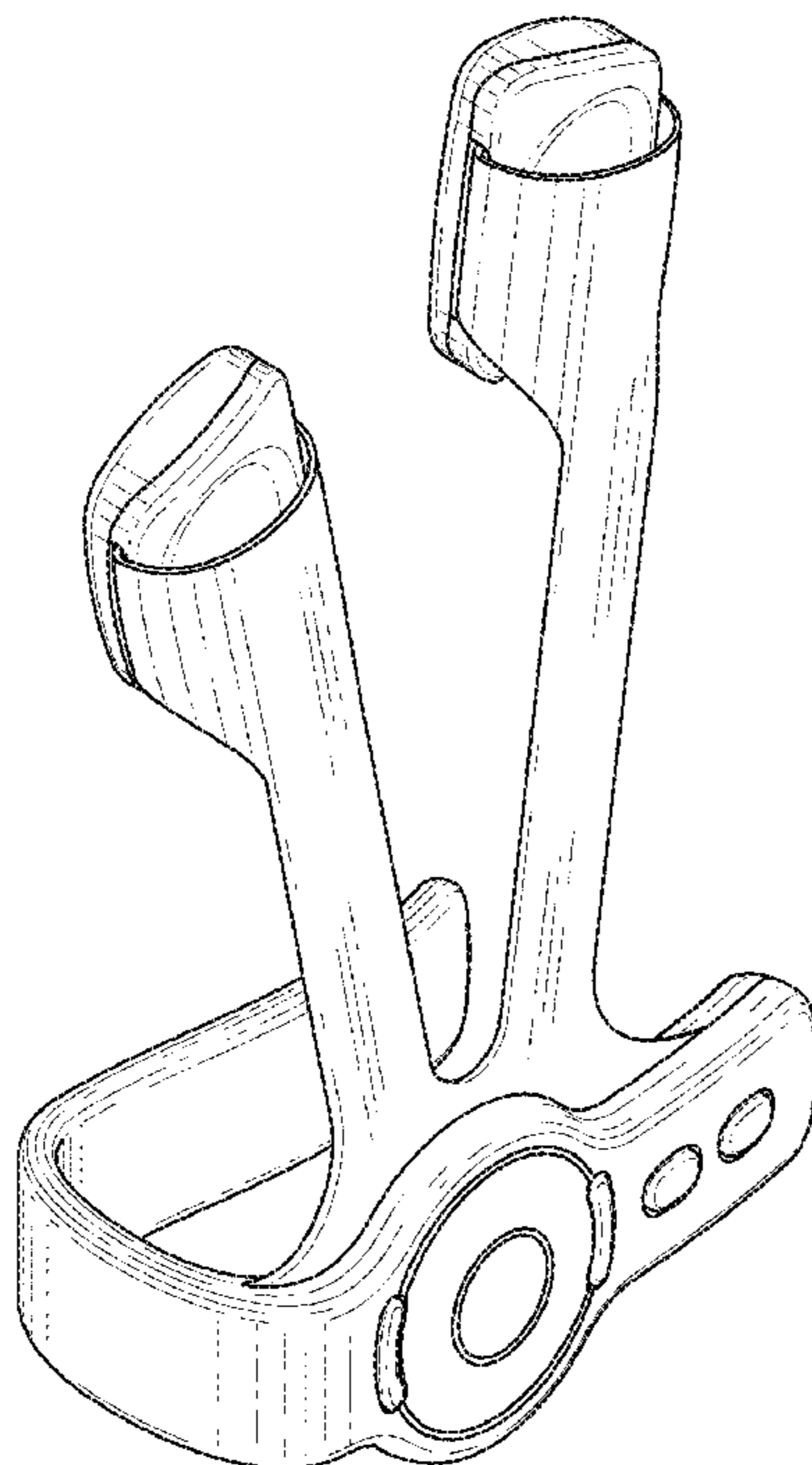
D752,235 S \* 3/2016 Levi ..... D24/200

D810,312 S \* 2/2018 Cascini ..... D24/200

D828,570 S \* 9/2018 Boaz ..... D24/200

The parallel lines at the transitions between surfaces are intended to illustrate a transition that can include smooth rounding or bevel facets in the transition. The closely spaced, parallel, curved lines visible at the two surfaces in the top portion of FIG. 4 indicate a shallow surface pattern, also visible from the side in FIGS. 5-8.

**1 Claim, 7 Drawing Sheets**



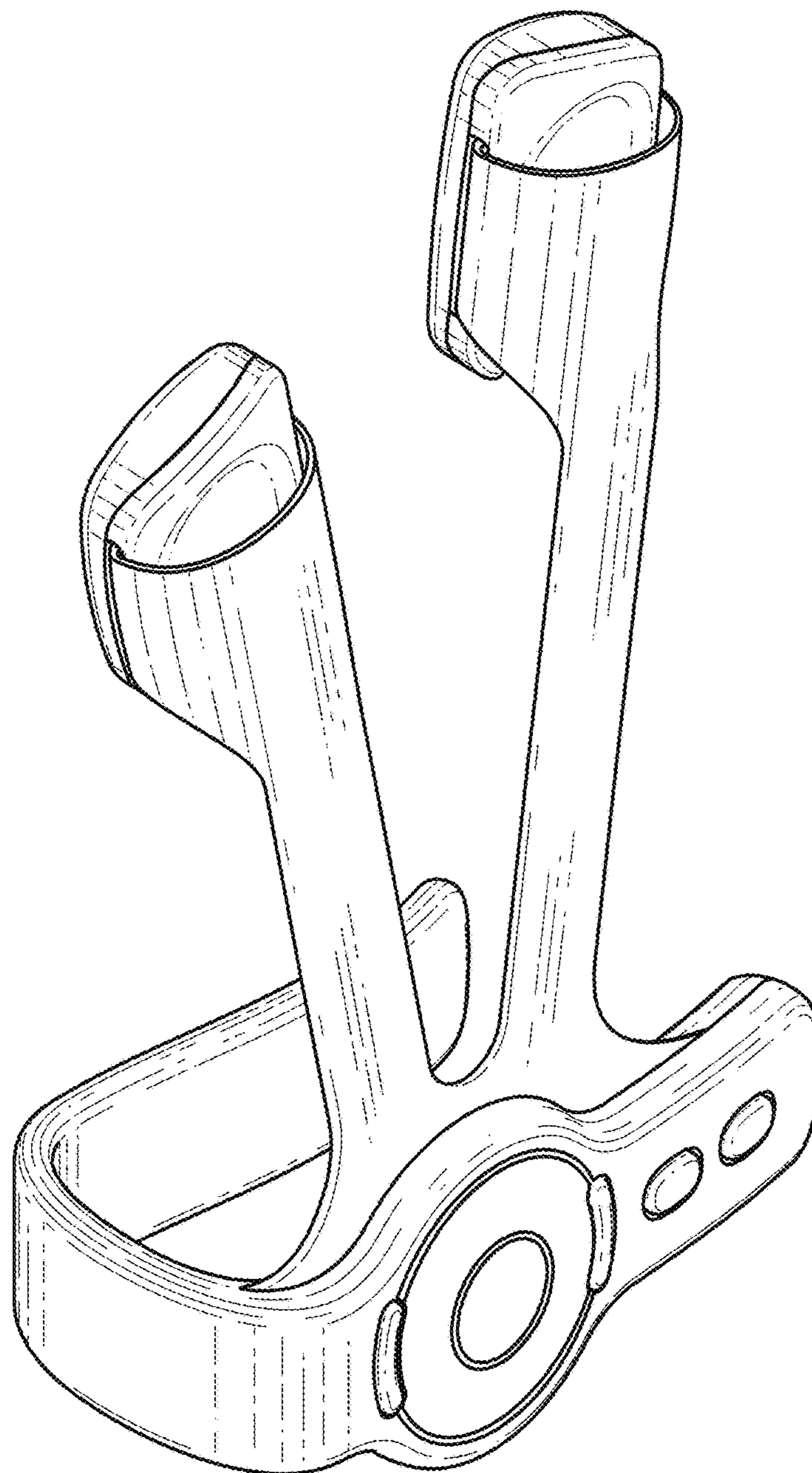


FIG. 1

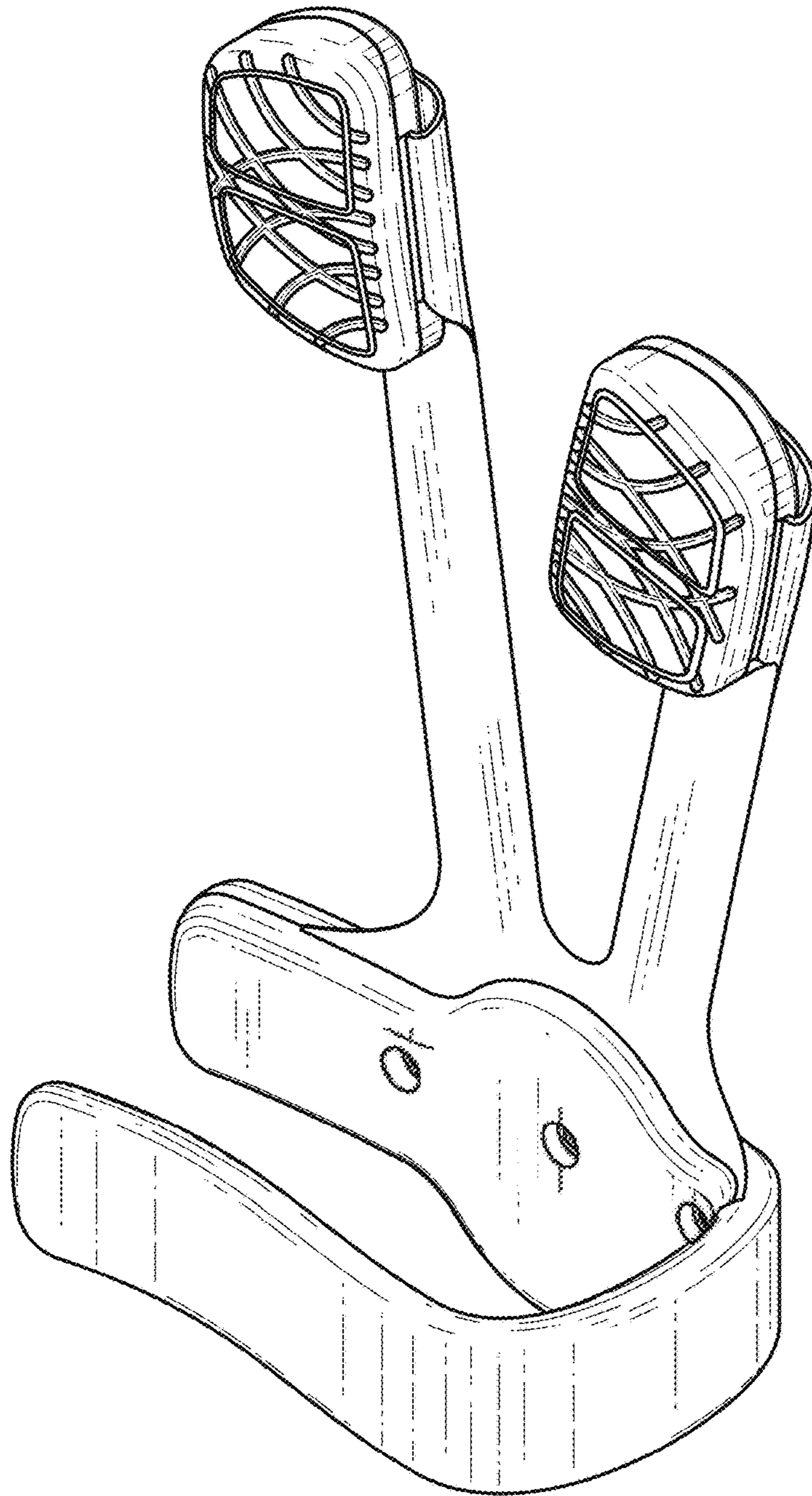


FIG. 2

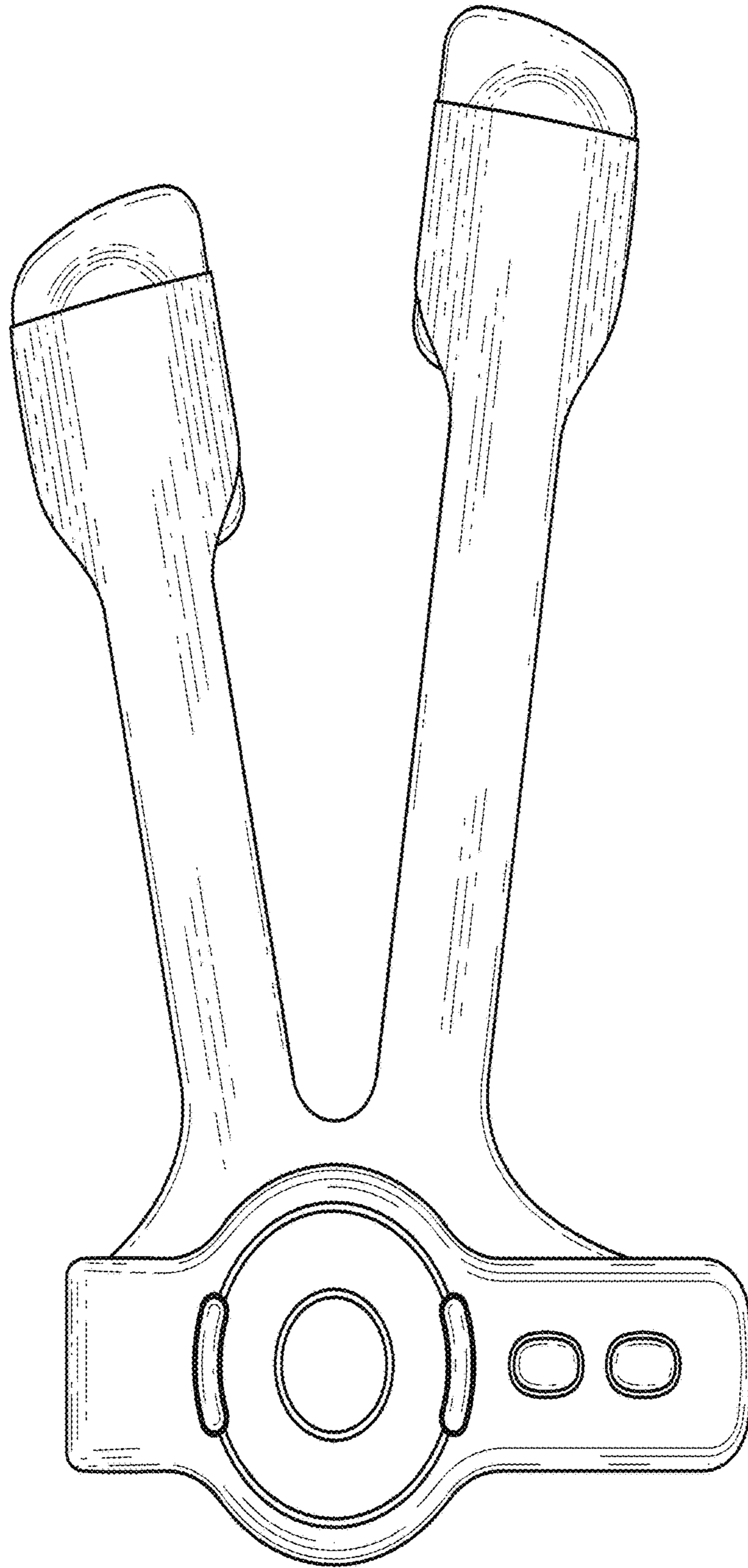


FIG. 3

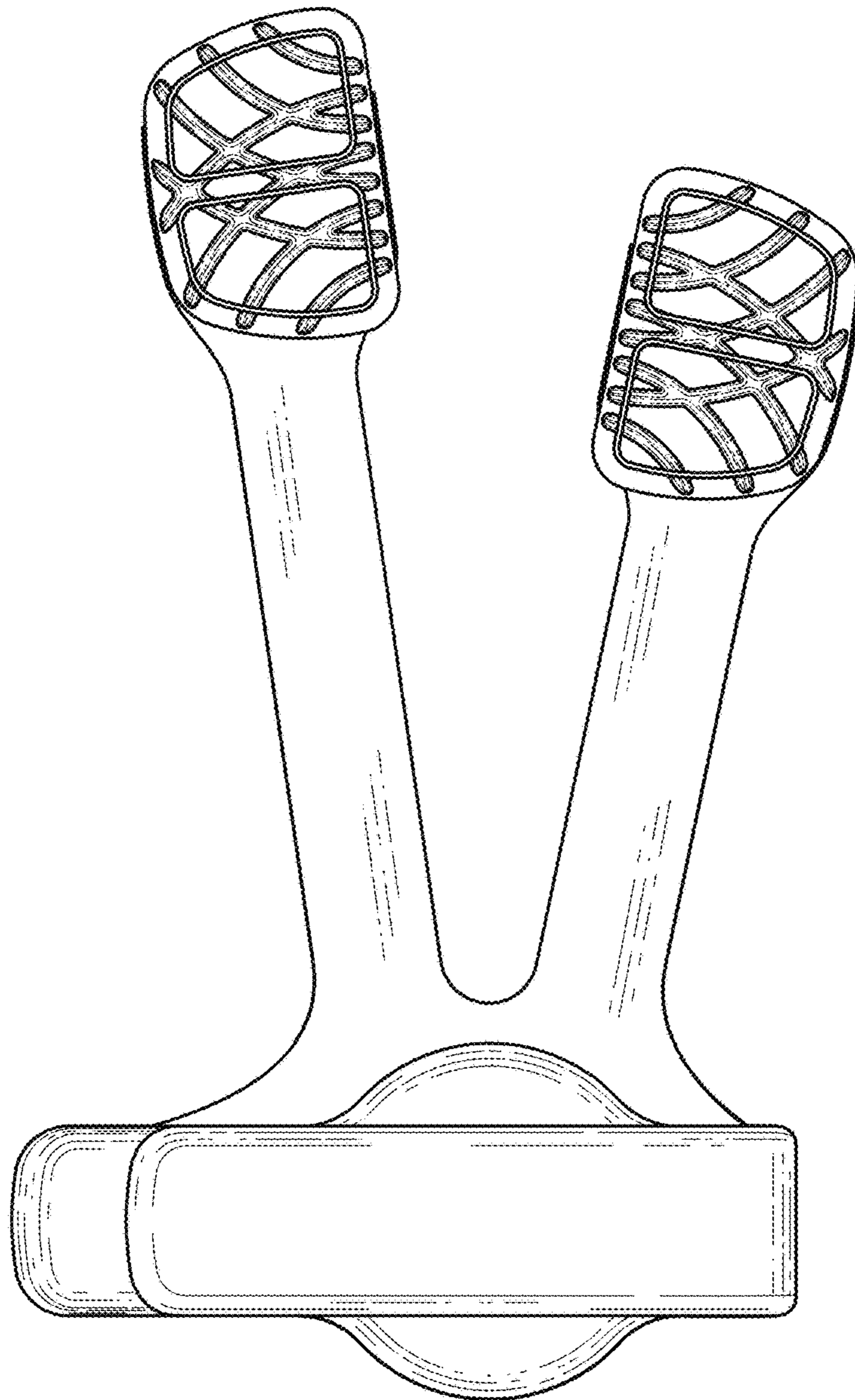


FIG. 4

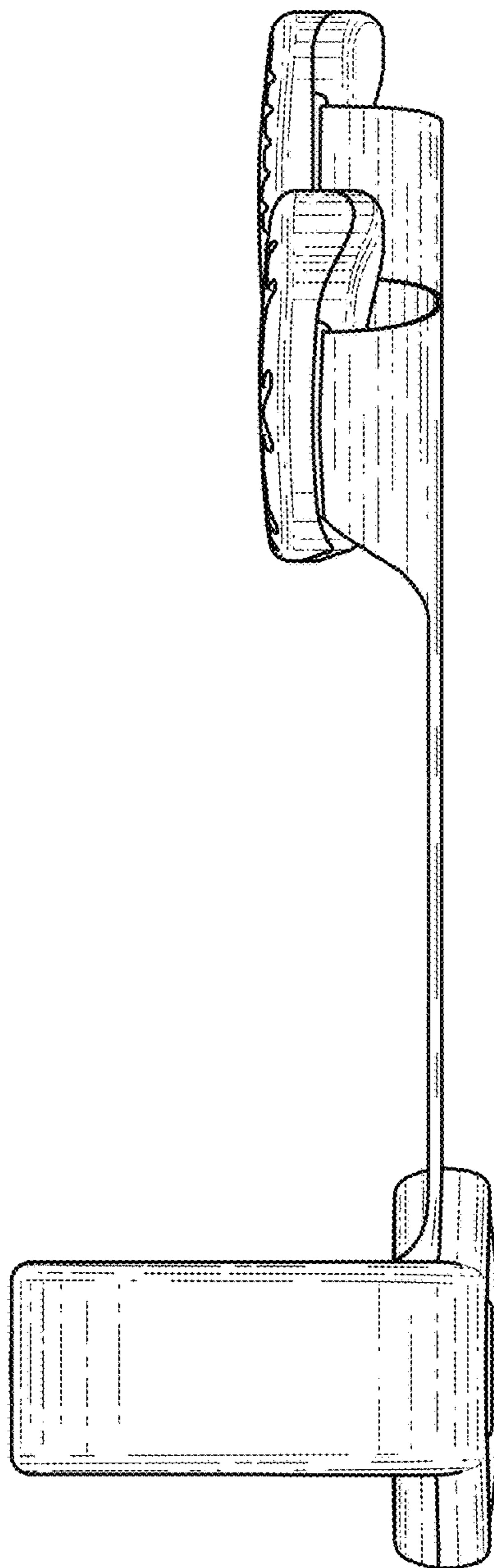


FIG. 5

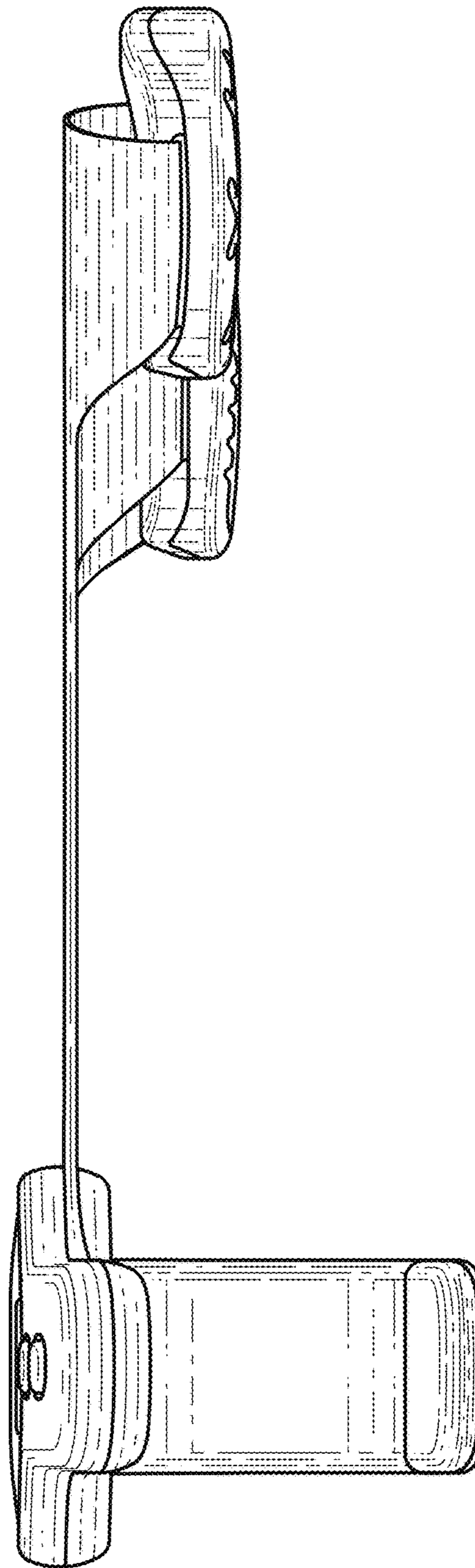


FIG. 6

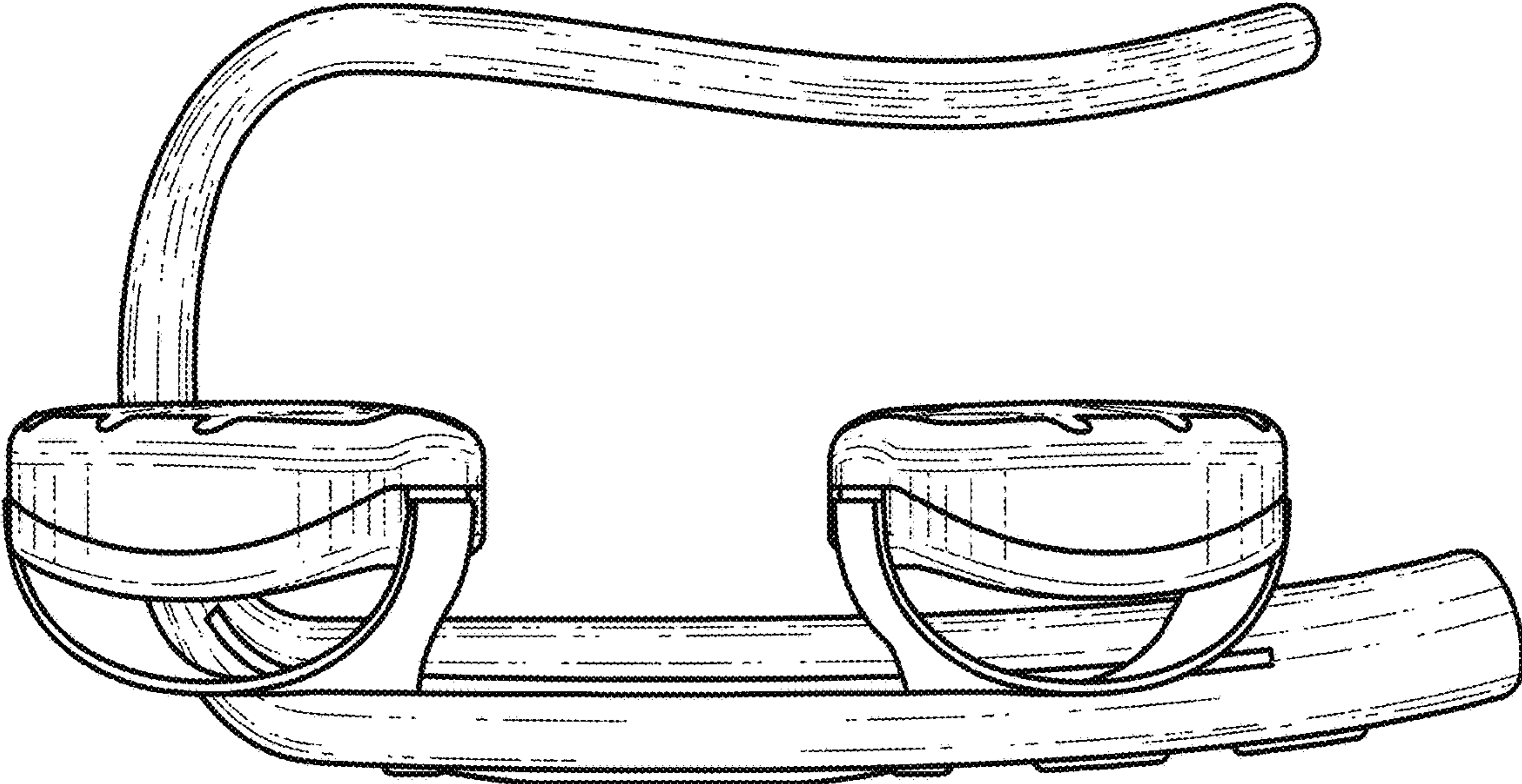


FIG. 7

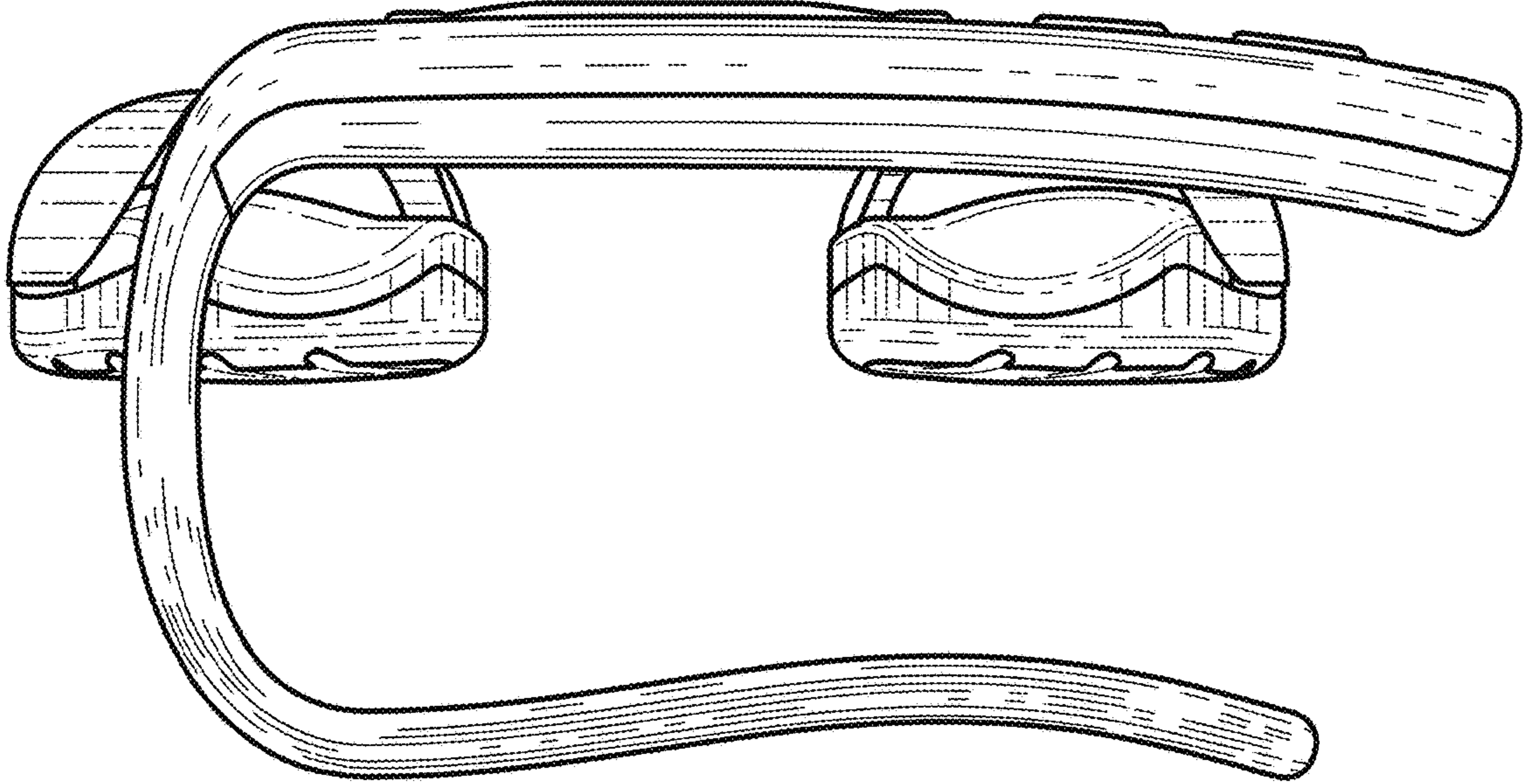


FIG. 8