



US00D847358S

(12) **United States Design Patent**
Matsushita

(10) **Patent No.:** **US D847,358 S**
(45) **Date of Patent:** **** Apr. 30, 2019**

(54) **TRAINING APPARATUS**

(71) Applicant: **MTG CO., LTD.**, Nagoya-shi, Aichi (JP)

(72) Inventor: **Tsuyoshi Matsushita**, Nagoya (JP)

(73) Assignee: **MTG CO., LTD.**, Nagoya-shi, Aichi (JP)

(**) Term: **15 Years**

(21) Appl. No.: **29/618,942**

(22) Filed: **Sep. 26, 2017**

(30) **Foreign Application Priority Data**

Mar. 31, 2017 (JP) 2017-007013
Mar. 31, 2017 (JP) 2017-007014
(Continued)

(51) **LOC (11) Cl.** **28-03**

(52) **U.S. Cl.**
USPC **D24/200**

(58) **Field of Classification Search**
USPC D24/171, 185, 186, 187, 188, 200, 201,
D24/206, 207, 209, 215; D29/101.3,
(Continued)

(56) **References Cited**

U.S. PATENT DOCUMENTS

D572,829 S * 7/2008 Reed D24/206
D662,213 S * 6/2012 Quisenberry D24/206
(Continued)

Primary Examiner — Wan Laymon

Assistant Examiner — Clint A Samuel

(74) *Attorney, Agent, or Firm* — Sughrue Mion, PLLC

(57) **CLAIM**

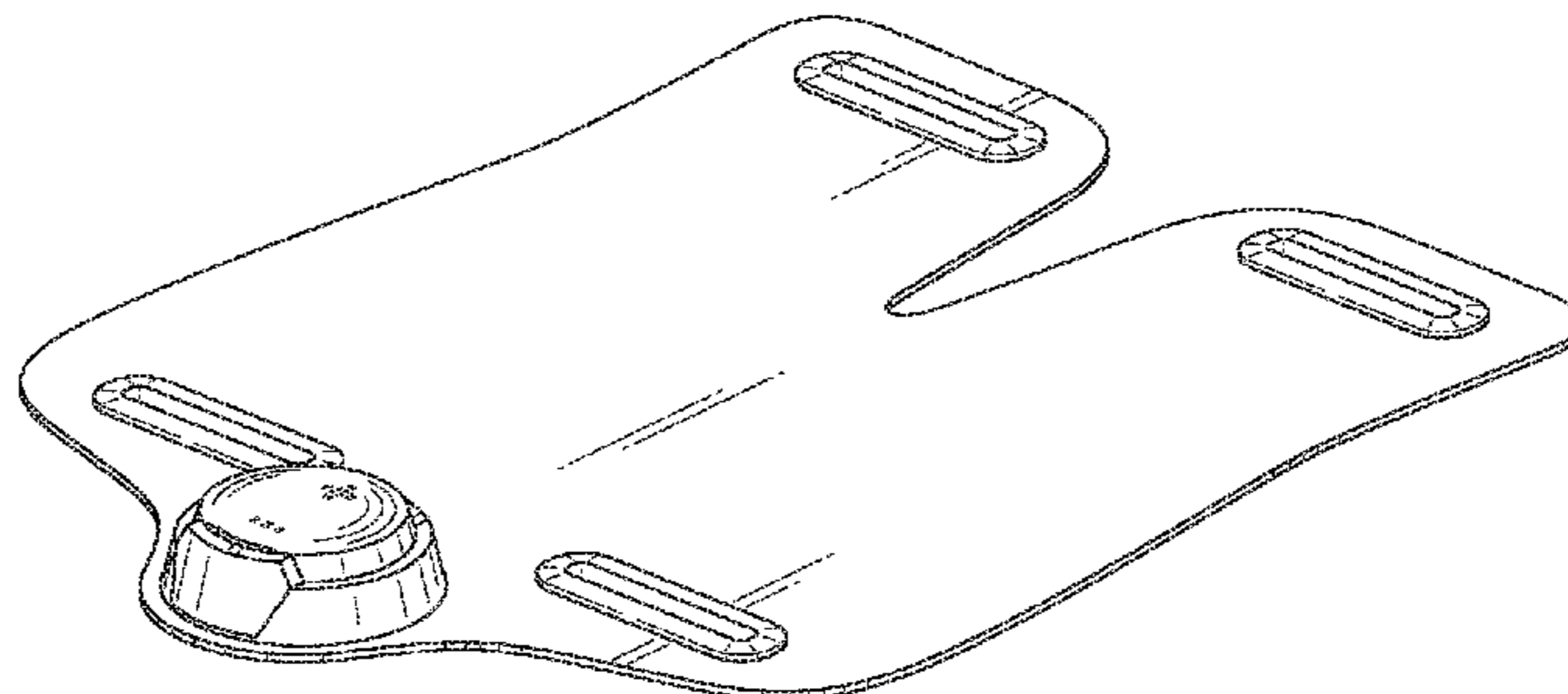
The ornamental design for a training apparatus, as shown and described.

DESCRIPTION

FIG. 1 is a perspective view of a training apparatus according to a first embodiment showing my new design;

FIG. 2 is a front view thereof;
FIG. 3 is a rear view thereof;
FIG. 4 is a left side view thereof, a right side view being a mirror image;
FIG. 5 is a top view thereof;
FIG. 6 is a bottom view thereof;
FIG. 7 is a perspective view of a training apparatus according to a second embodiment showing my new design;
FIG. 8 is a front view thereof;
FIG. 9 is a rear view thereof;
FIG. 10 is a left side view thereof, a right side view being a mirror image;
FIG. 11 is a top view thereof;
FIG. 12 is a bottom view thereof;
FIG. 13 is a perspective view of a training apparatus according to a third embodiment showing my new design;
FIG. 14 is a front view thereof;
FIG. 15 is a rear view thereof;
FIG. 16 is a left side view thereof, a right side view being a mirror image;
FIG. 17 is a top view thereof;
FIG. 18 is a bottom view thereof;
FIG. 19 is a perspective view of a training apparatus according to a fourth embodiment showing my new design;
FIG. 20 is a front view thereof;
FIG. 21 is a rear view thereof;
FIG. 22 is a left side view thereof, a right side view being a mirror image;
FIG. 23 is a top view thereof;
FIG. 24 is a bottom view thereof;
FIG. 25 is a perspective view of a training apparatus according to a fifth embodiment showing my new design;
FIG. 26 is a front view thereof;
FIG. 27 is a rear view thereof;
FIG. 28 is a left side view thereof, a right side view being a mirror image;
FIG. 29 is a top view thereof; and,
FIG. 30 is a bottom view thereof.
The broken line showing in the drawings is included for the purpose of illustrating unclaimed portions of the training apparatus and forms no part of the claimed design.

1 Claim, 25 Drawing Sheets



(30) Foreign Application Priority Data

Mar. 31, 2017 (JP) 2017-007015
Apr. 25, 2017 (JP) 2017-008798
Apr. 25, 2017 (JP) 2017-008899
Apr. 25, 2017 (JP) 2017-008900
Apr. 25, 2017 (JP) 2017-008902
Apr. 25, 2017 (JP) 2017-008916
Apr. 25, 2017 (JP) 2017-008917

(58) Field of Classification Search

USPC D29/101.5; D3/205, 299; D21/683;
128/95.1, 96.1, 99.1, 845, 846, 112.1;
602/2, 5, 6, 41; 607/1, 48
CPC ... A61N 1/04; A61N 1/06; A61N 1/18; A61N
1/26; A61N 1/36; A61N 1/0424; A61N
1/0484; A61N 1/0456; A61N 1/0452;
A61N 1/0476; A61B 5/00; A61B 5/02;

A61B 5/0006; A61H 23/00; A61H
23/006; A61H 2205/00; A61H 2205/084;
A61H 1/00; A61H 2001/0233

See application file for complete search history.

(56)

References Cited

U.S. PATENT DOCUMENTS

D762,869 S * 8/2016 Beckman D24/206
D786,447 S * 5/2017 Bigelow D24/206
D797,301 S * 9/2017 Chen D24/200
D797,948 S * 9/2017 Matsushita D24/200
D834,209 S * 11/2018 Tan D24/200
2017/0036019 A1* 2/2017 Matsushita A61N 1/0452
2018/0296831 A1* 10/2018 Matsushita A61N 1/04
2018/0311492 A1* 11/2018 Matsushita A61N 1/0452

* cited by examiner

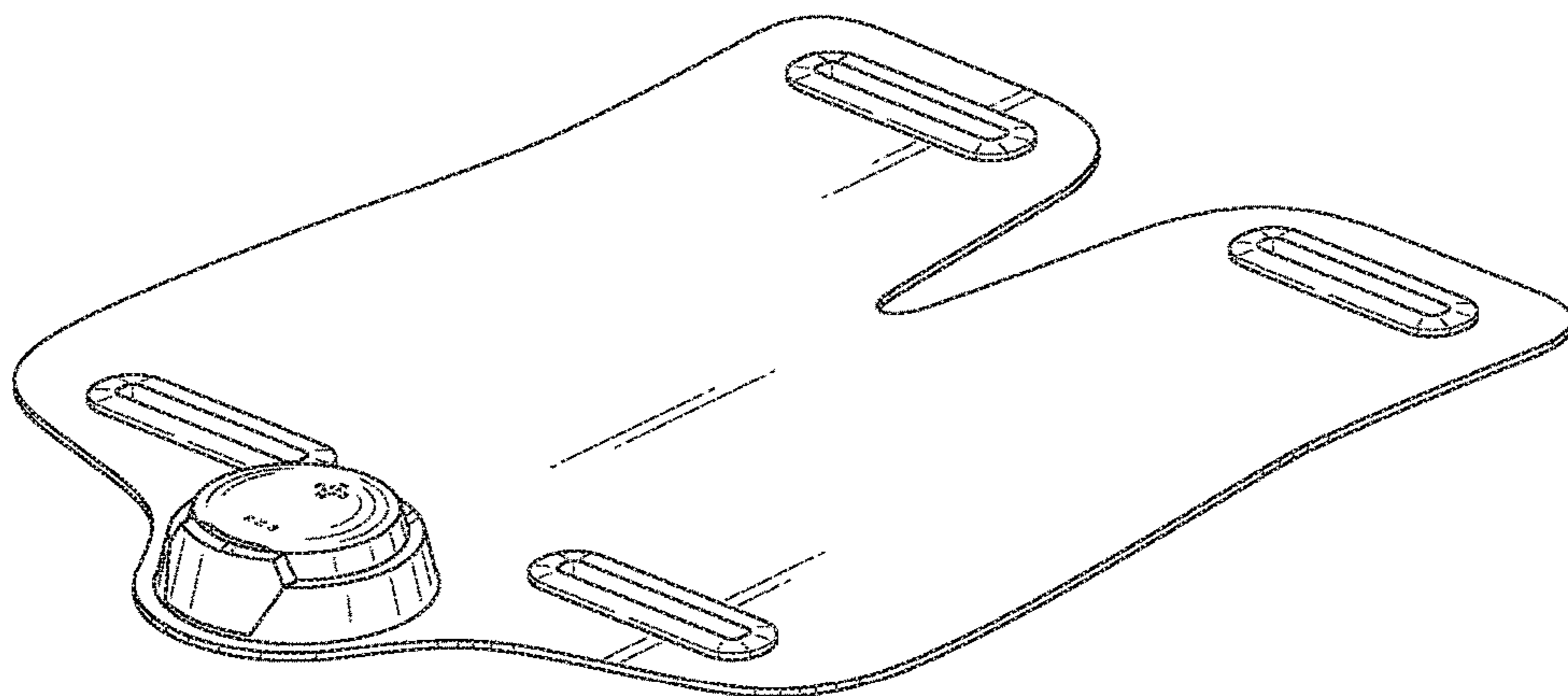


FIG. 1

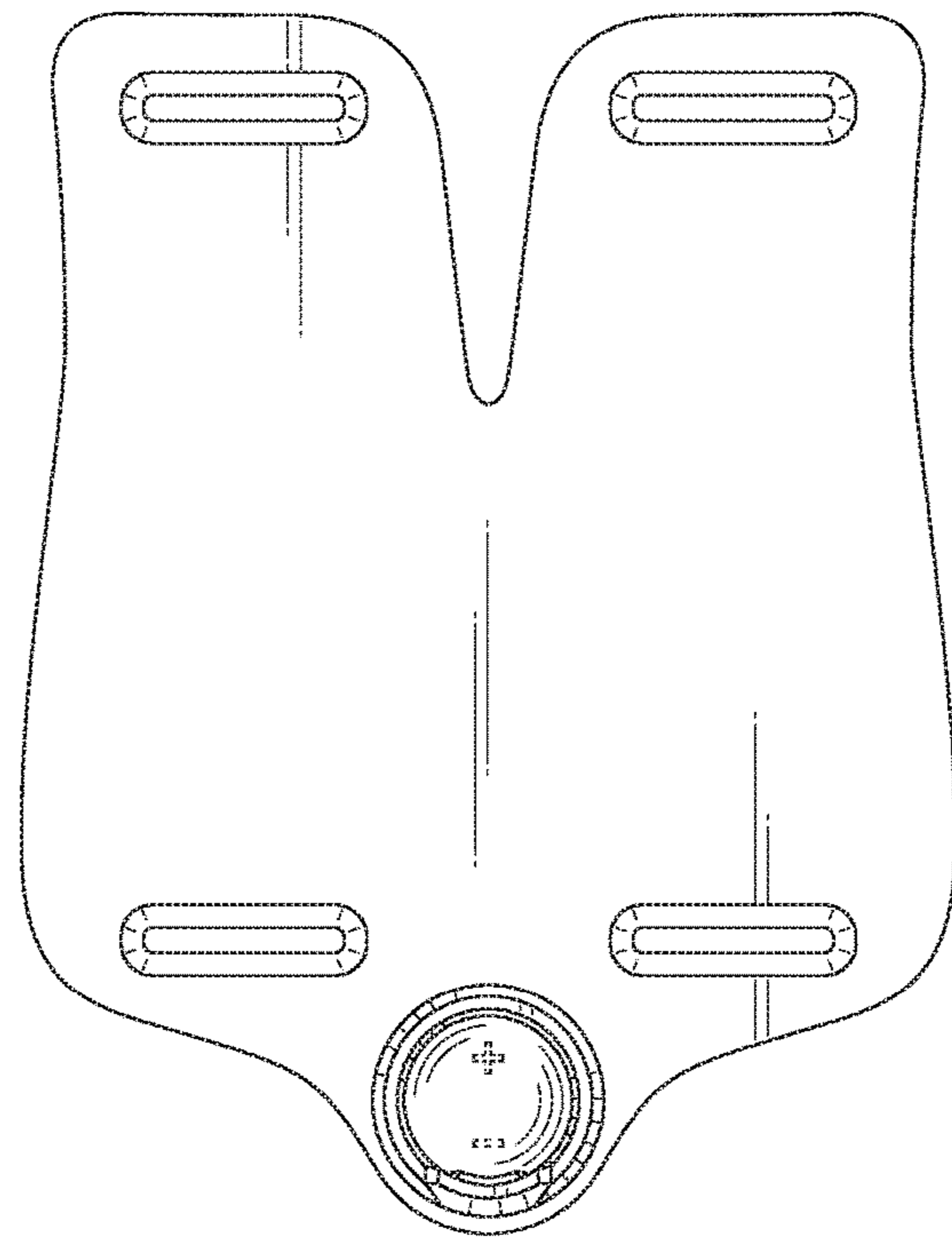


FIG. 2

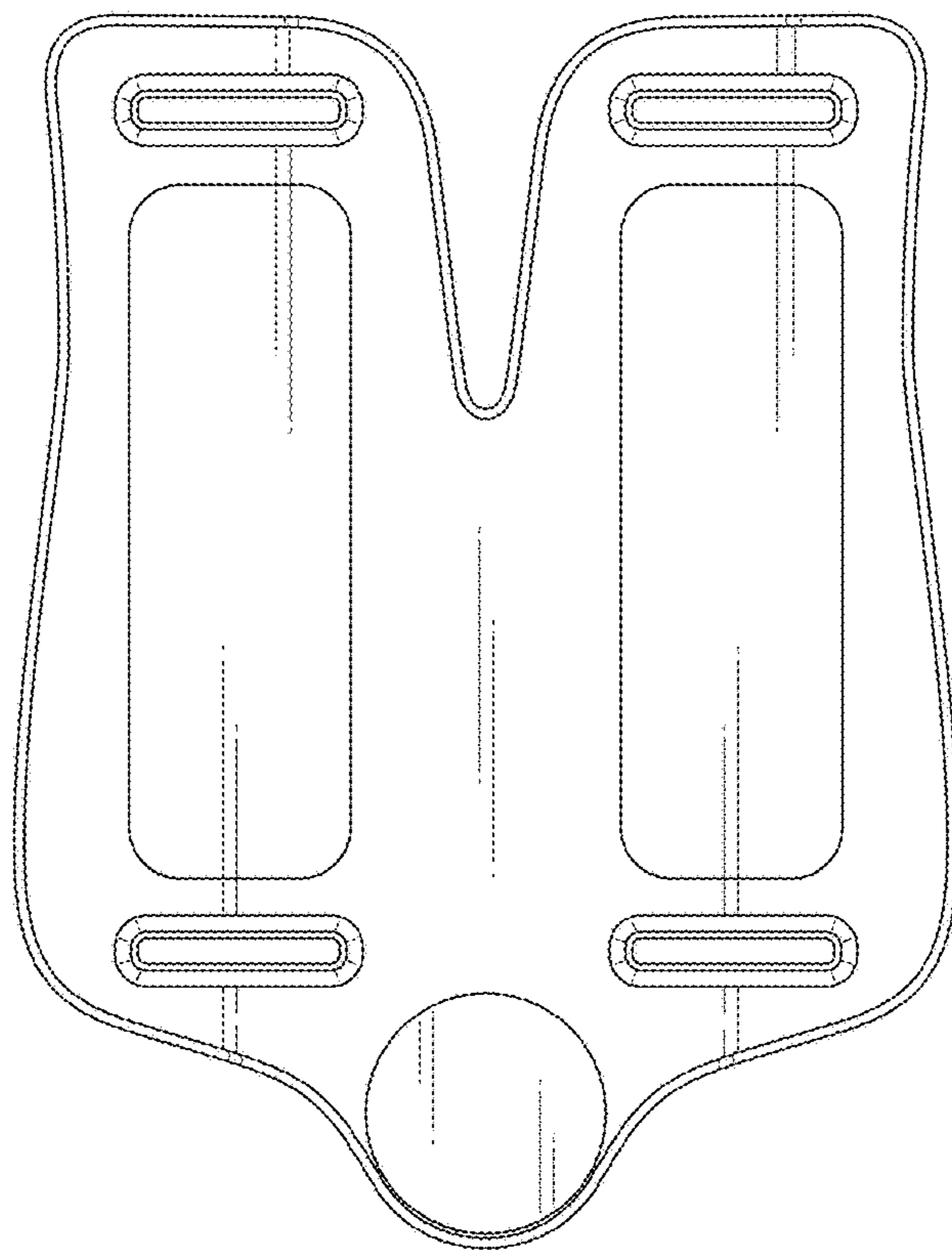


FIG. 3

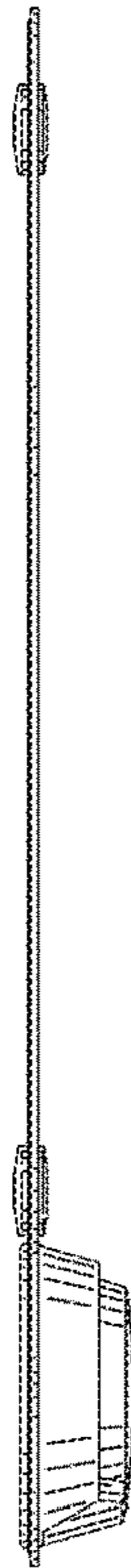


FIG. 4



FIG. 5



FIG. 6

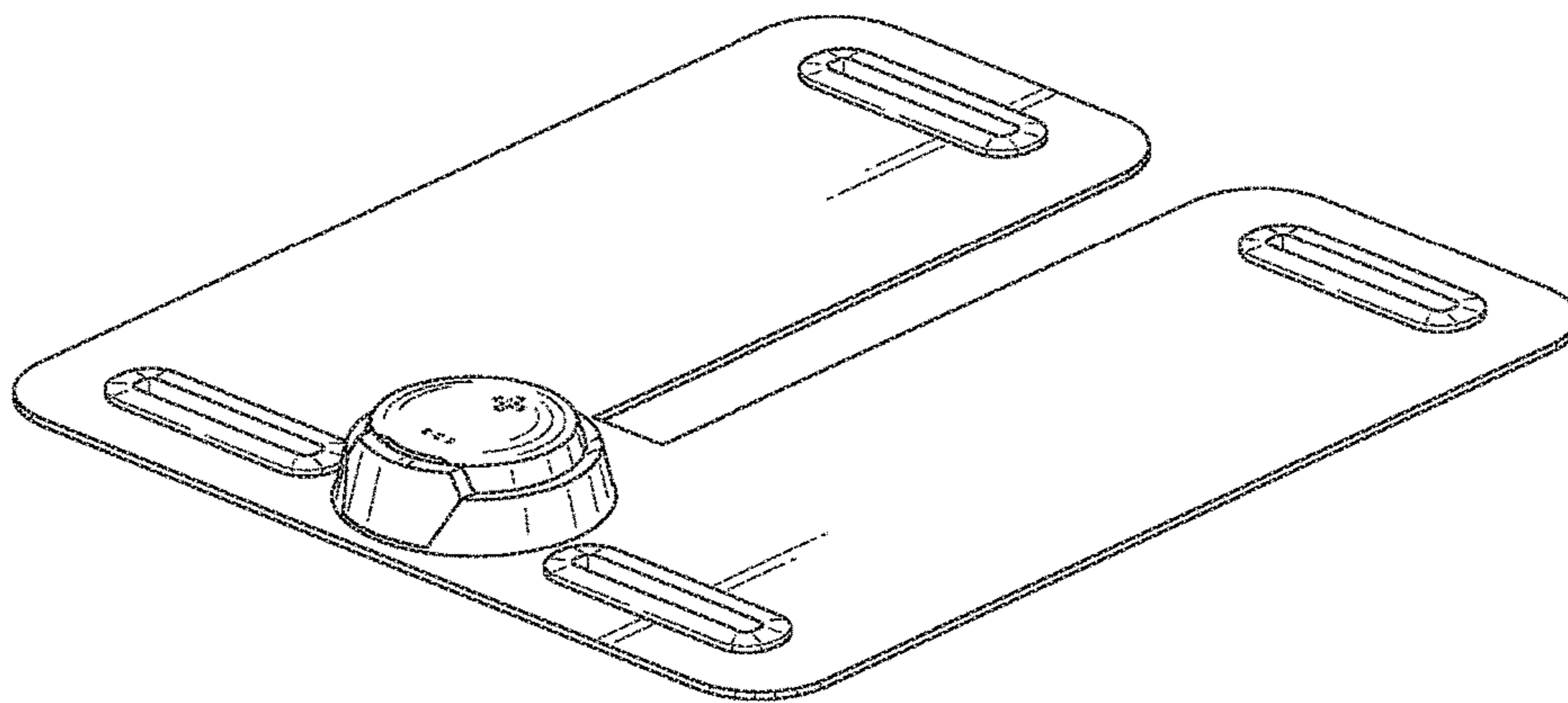


FIG. 7

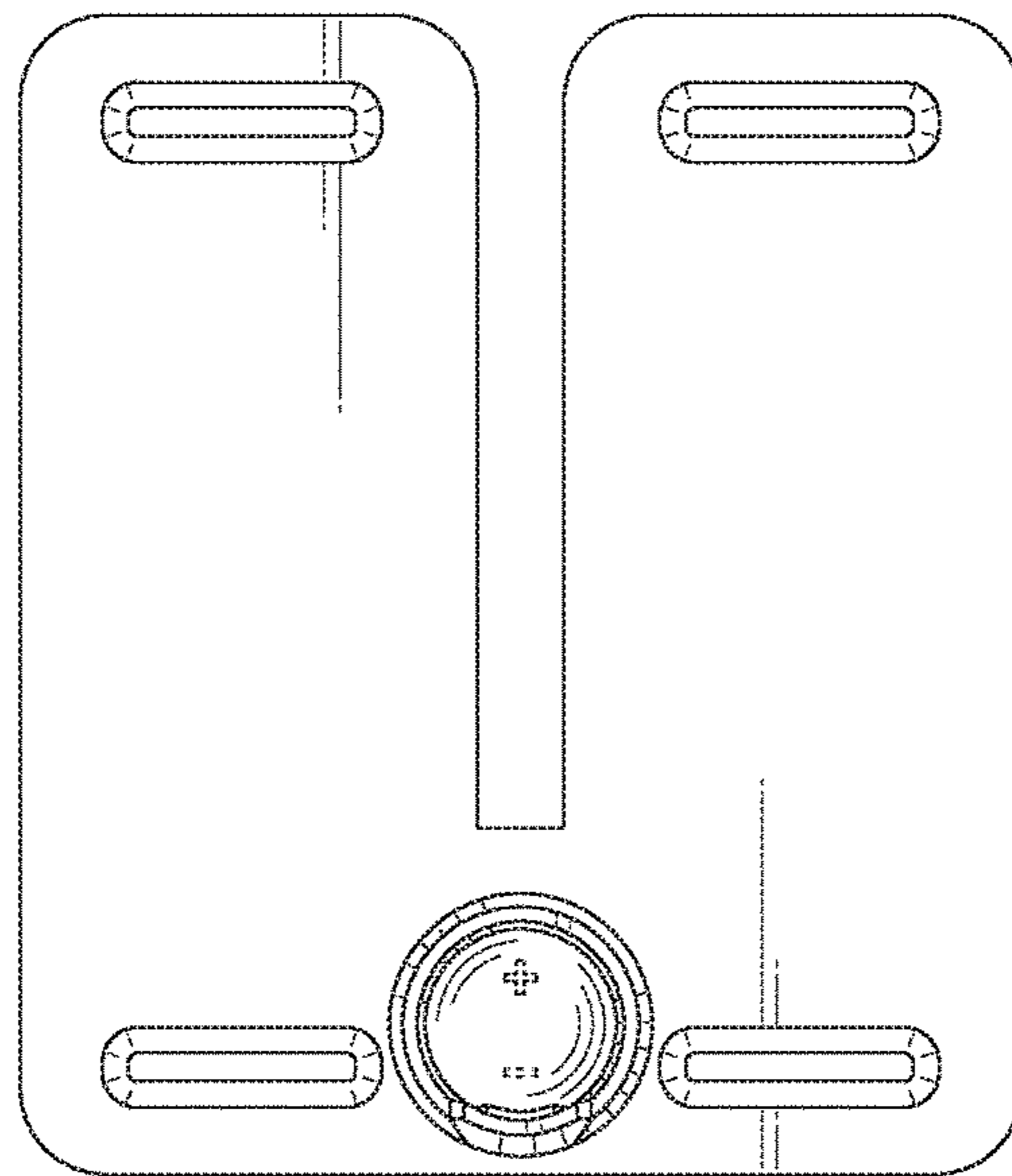


FIG. 8

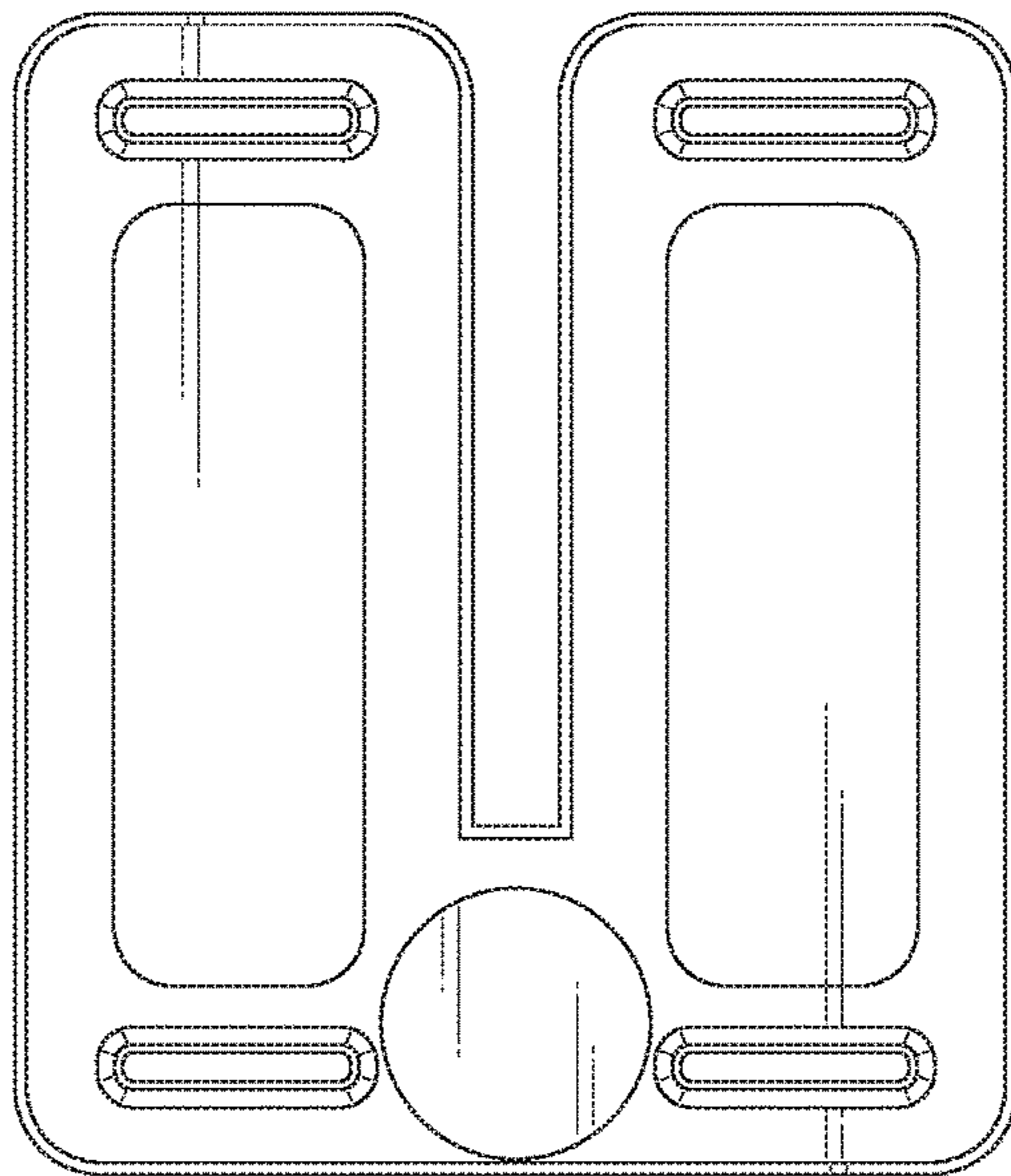


FIG. 9

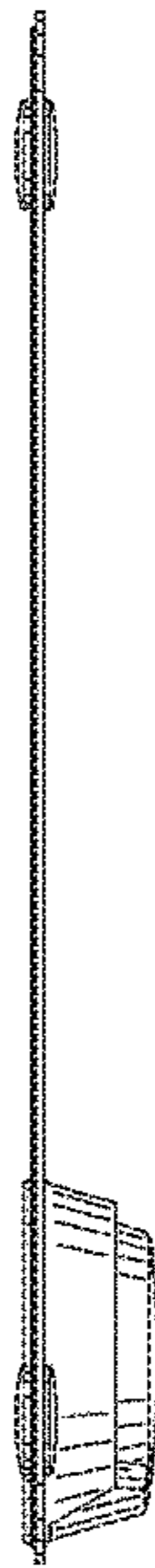


FIG. 10

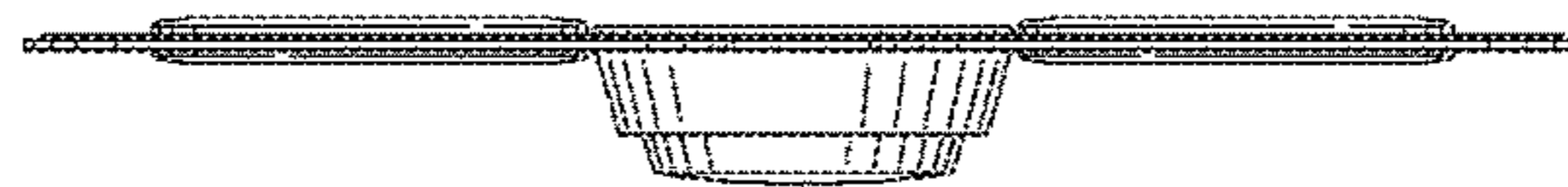


FIG. 11



FIG. 12

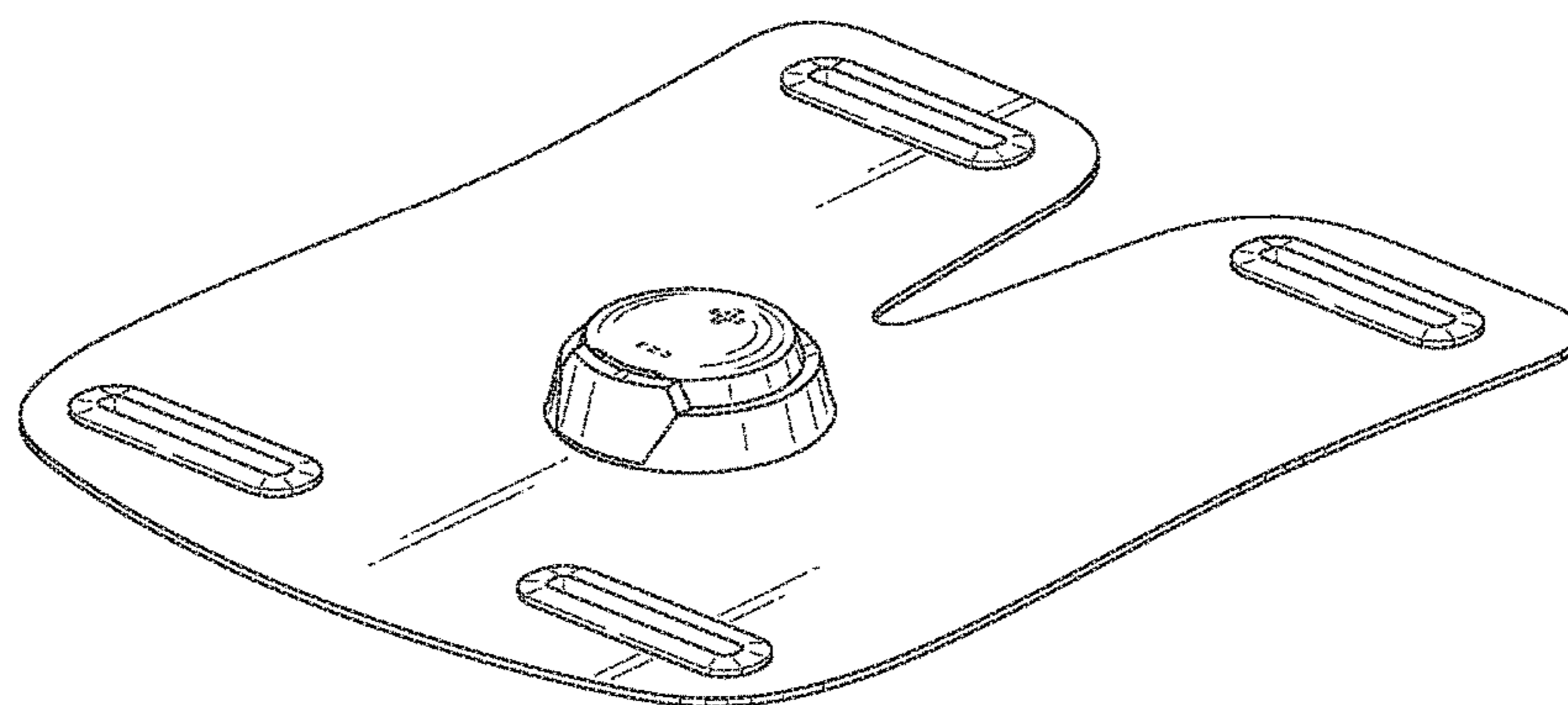


FIG. 13

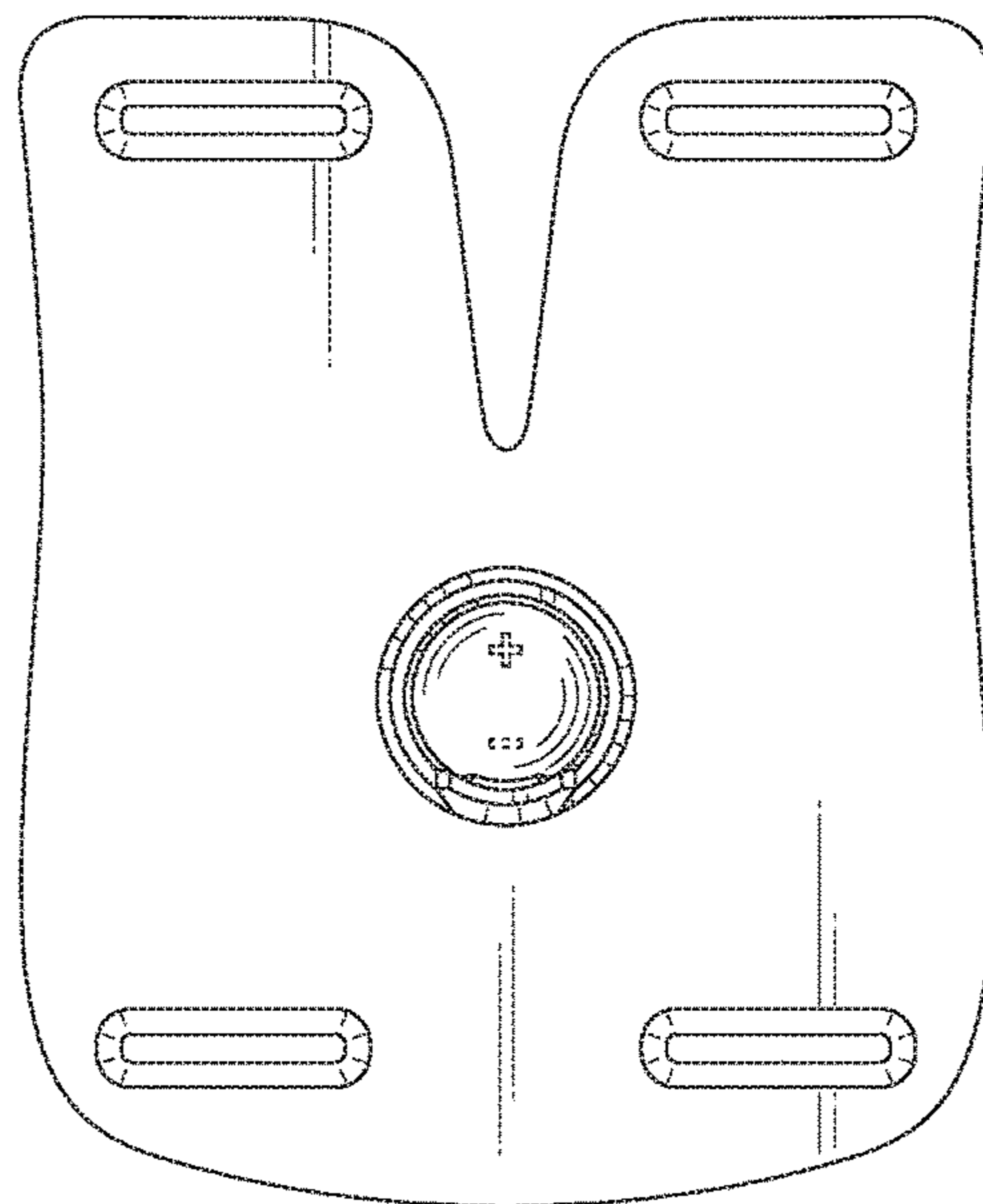


FIG. 14

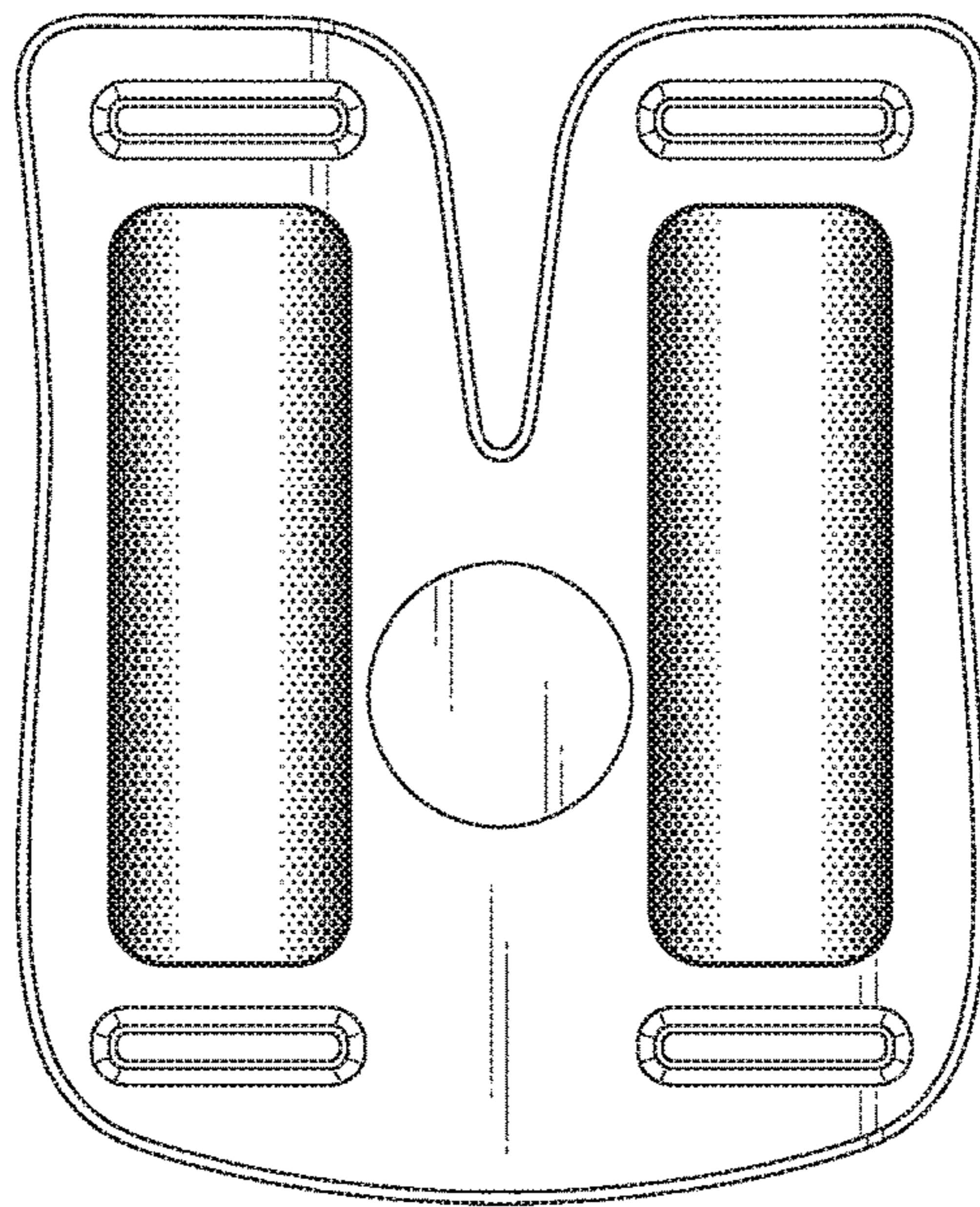


FIG. 15



FIG. 16

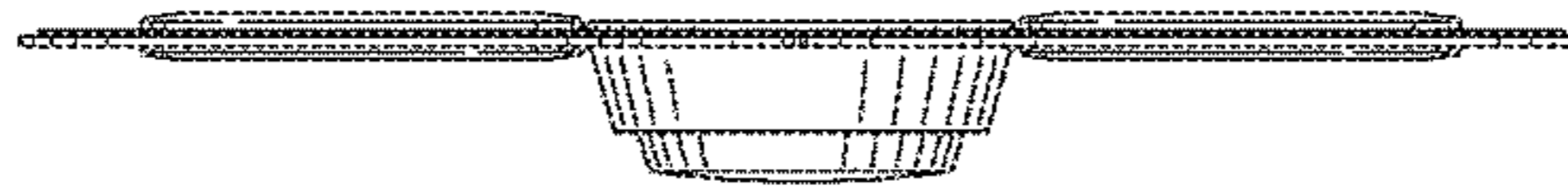


FIG. 17



FIG. 18

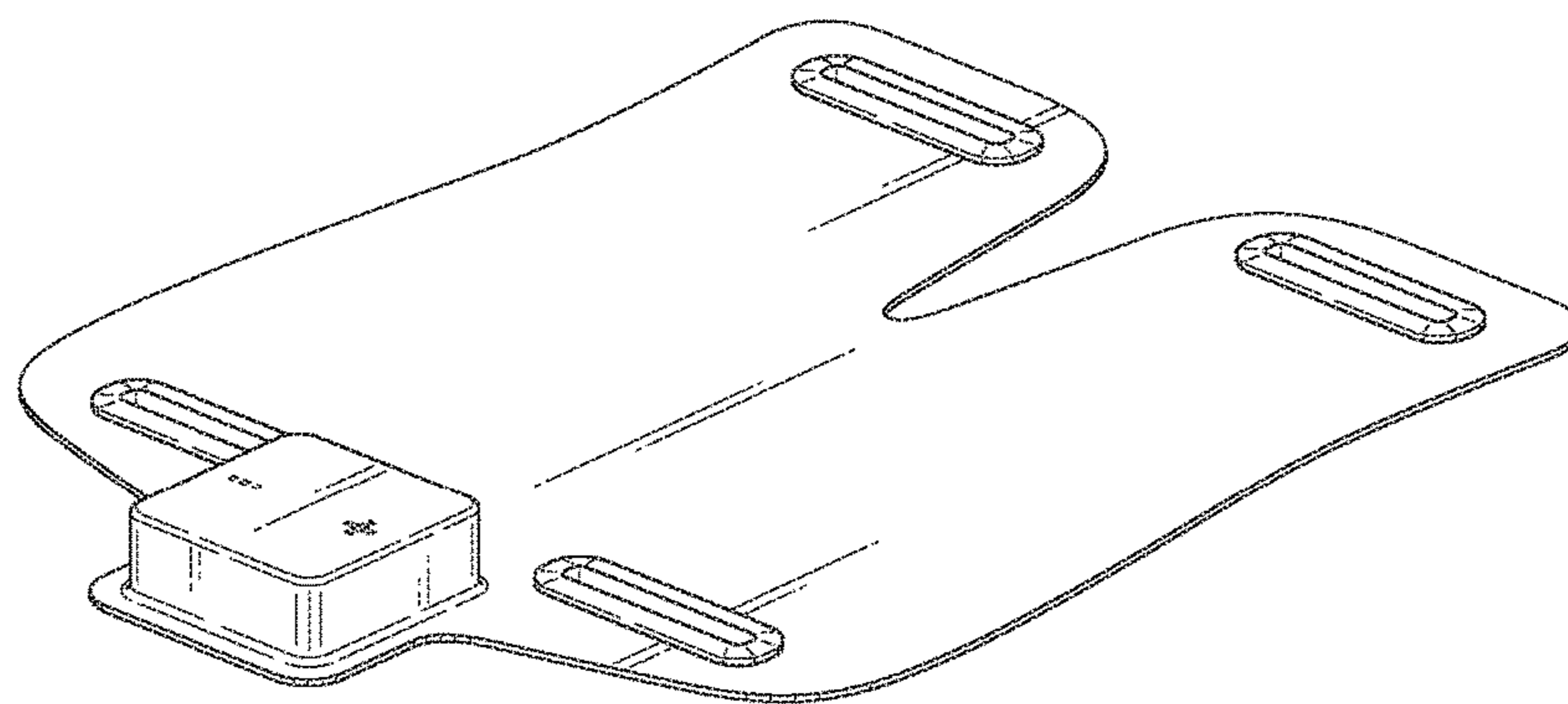


FIG. 19

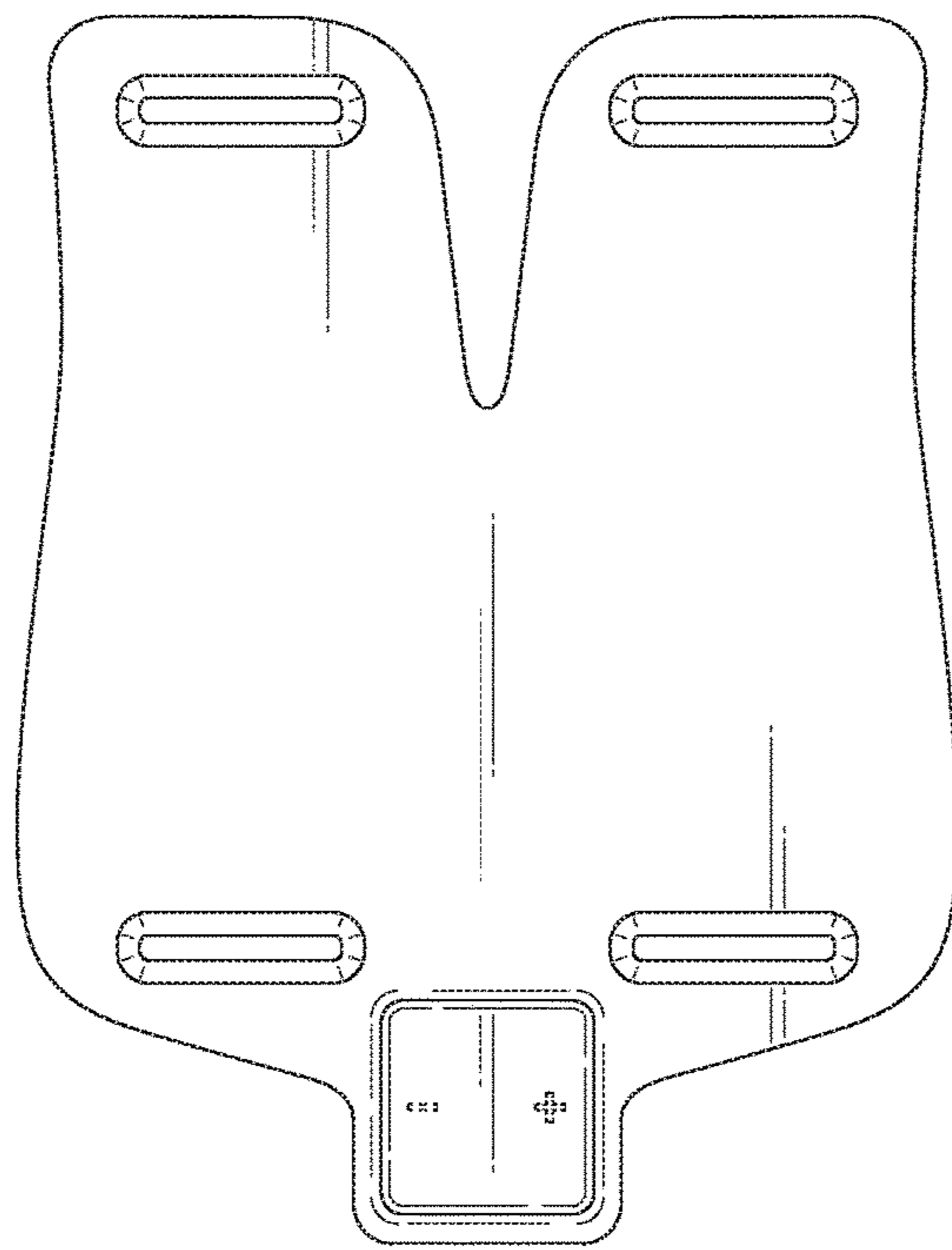


FIG. 20

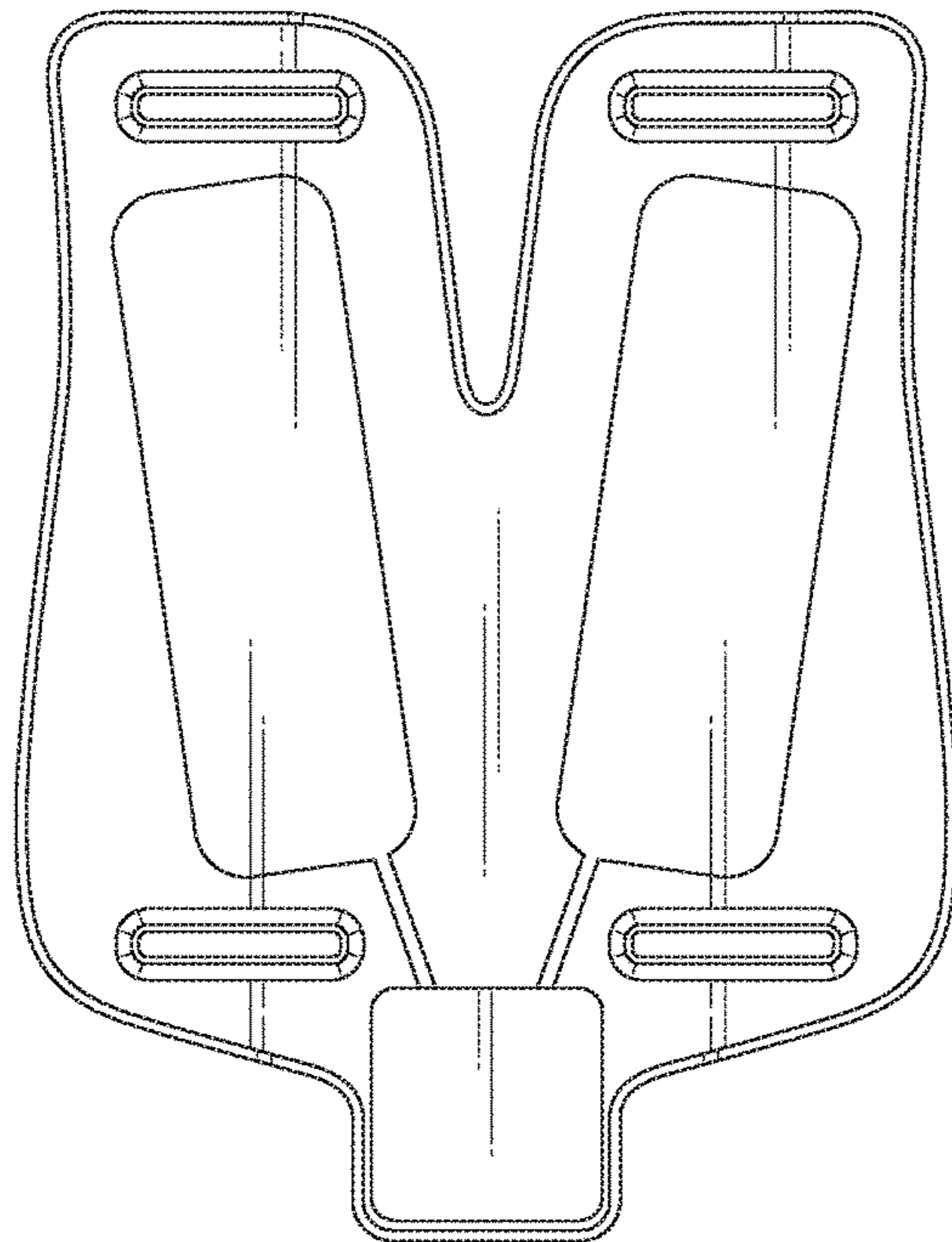


FIG. 21

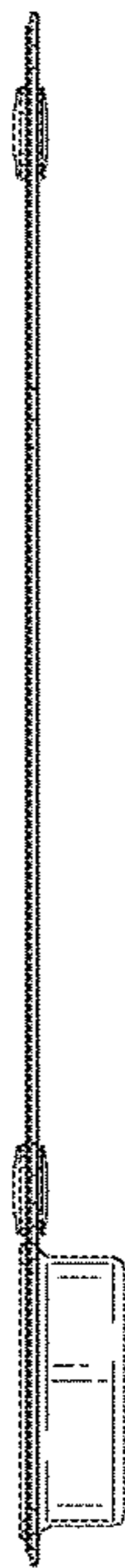


FIG. 22

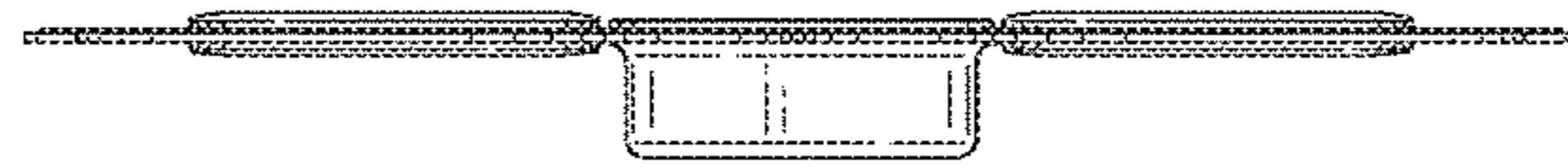


FIG. 23

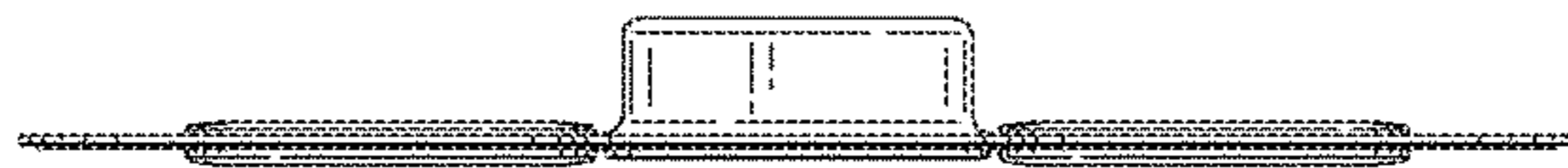


FIG. 24

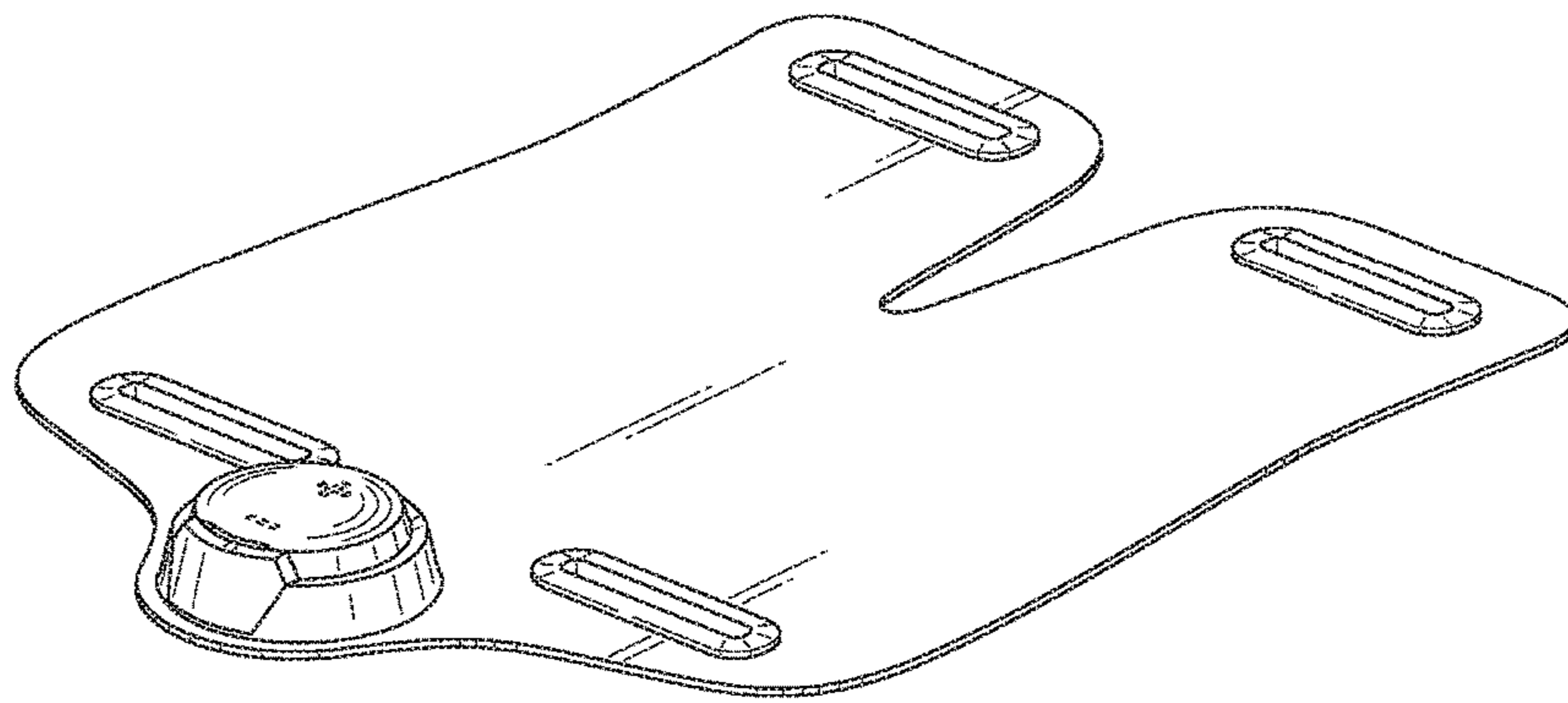


FIG. 25

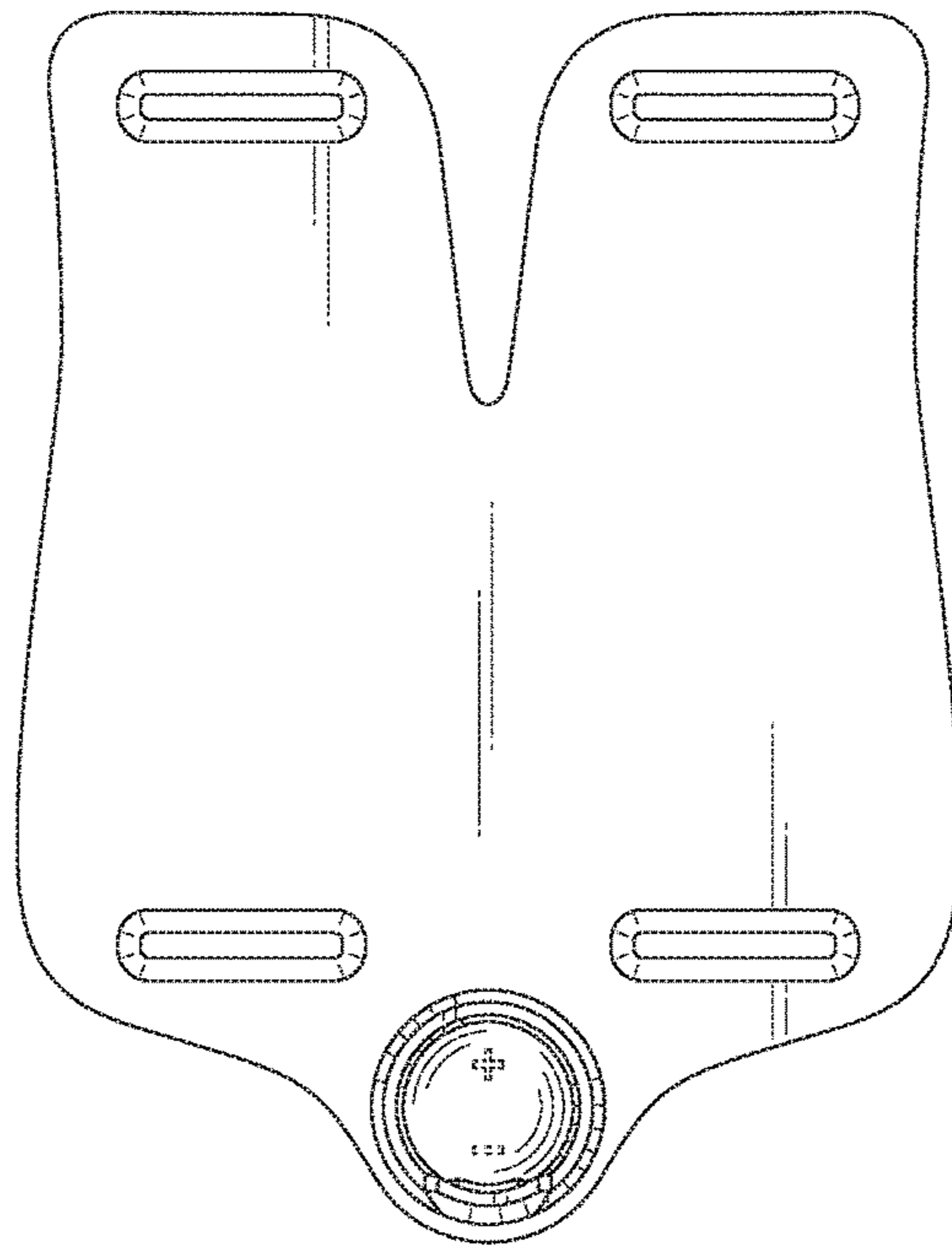


FIG. 26

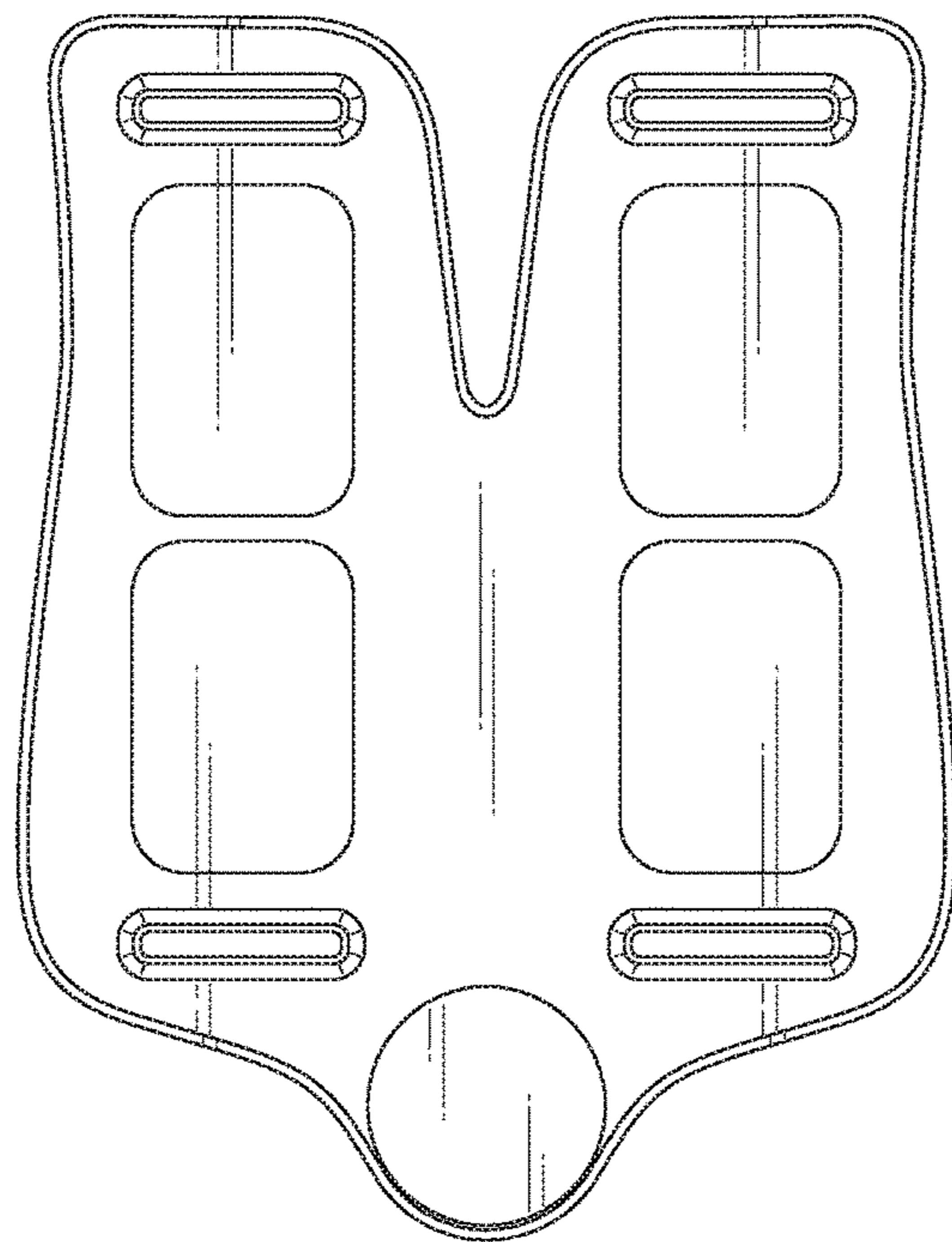


FIG. 27

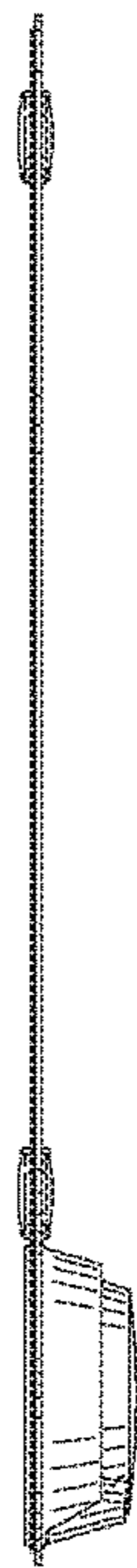


FIG. 28

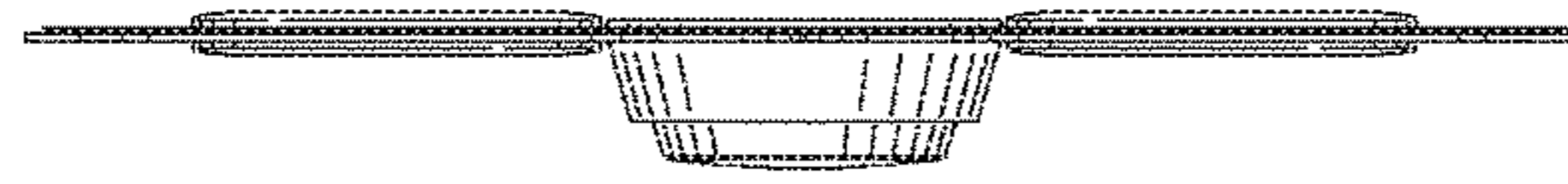


FIG. 29



FIG. 30