

US00D847353S

(12) **United States Design Patent**  
**Hasegawa et al.**

(10) **Patent No.:** **US D847,353 S**  
(45) **Date of Patent:** **\*\* Apr. 30, 2019**

(54) **HEAD CASING FOR ULTRASONIC PROBE**

D703,332 S \* 4/2014 Saeki ..... D24/187  
9,439,626 B2 \* 9/2016 Nakanishi ..... B06B 3/00

\* cited by examiner

(71) Applicant: **NIHON DEMPA KOGYO CO., LTD.**,  
Tokyo (JP)

*Primary Examiner* — Antoine Duval Davis  
(74) *Attorney, Agent, or Firm* — JCIPRNET

(72) Inventors: **Yasunobu Hasegawa**, Saitama (JP);  
**Kazuhiko Komiyama**, Saitama (JP)

(57) **CLAIM**

The ornamental design for a head casing for ultrasonic probe, as shown.

(73) Assignee: **NIHON DEMPA KOGYO CO., LTD.**,  
Tokyo (JP)

**DESCRIPTION**

(\*\*) Term: **15 Years**

FIG. 1 is a perspective view of a head casing for ultrasonic probe showing our new design;

(21) Appl. No.: **29/629,133**

FIG. 2 is a front view thereof, the rear view being a mirror image;

(22) Filed: **Dec. 12, 2017**

FIG. 3 is a right side view thereof, the left side view being a mirror image;

(30) **Foreign Application Priority Data**

Sep. 28, 2017 (JP) ..... 2017-021259

FIG. 4 is a top view thereof;

(51) **LOC (11) Cl.** ..... **24-02**

FIG. 5 is a bottom view thereof;

(52) **U.S. Cl.**  
USPC ..... **D24/187**

FIG. 6 is a cross-sectional view taken along line 6-6 in FIG. 2;

(58) **Field of Classification Search**  
USPC ..... D24/187  
CPC ..... A61B 8/44; A61B 8/4411; A61B 8/4422;  
A61B 8/4455; A61B 8/4472  
See application file for complete search history.

FIG. 7 is a cross-sectional view taken along line 7-7 in FIG. 4; and,

FIG. 8 is another perspective view thereof, with the head casing for ultrasonic probe being in a disassembled configuration of the ultrasonic probe.

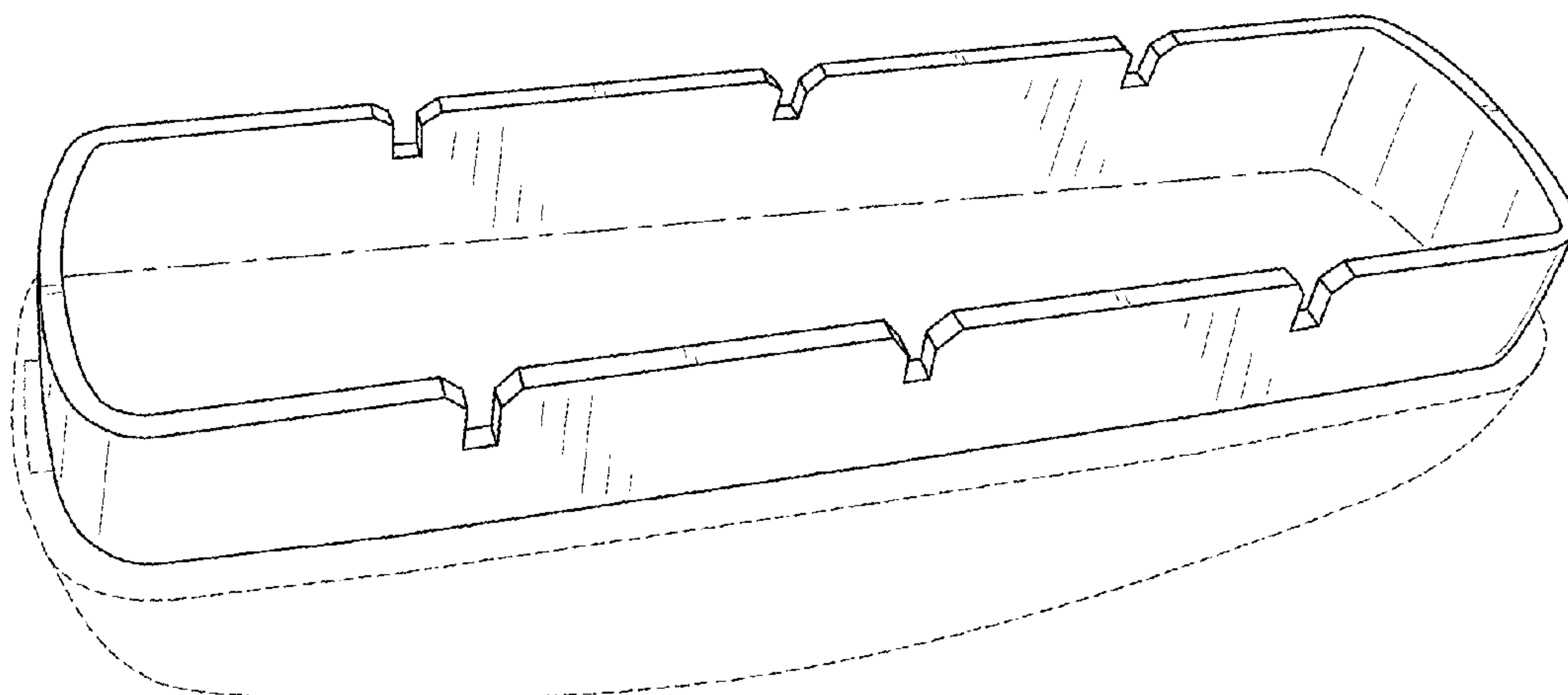
The dashed broken lines in FIGS. 1-8 showing the head casing for ultrasonic probe except an assembling portion represent portions of the head casing for ultrasonic probe that form no part of the claimed design. The dot-dash broken lines in FIGS. 1, 6 and 7 represent unclaimed boundary lines of the claimed design. The dashed broken lines in FIG. 8 except the head casing for ultrasonic probe show the environment for illustrative purposes only and form no part of the claimed design.

(56) **References Cited**

**U.S. PATENT DOCUMENTS**

D316,376 S \* 4/1991 Dubut ..... D10/103  
D389,918 S \* 1/1998 Ninomiya ..... D24/186  
D703,330 S \* 4/2014 Saeki ..... D24/187

**1 Claim, 5 Drawing Sheets**



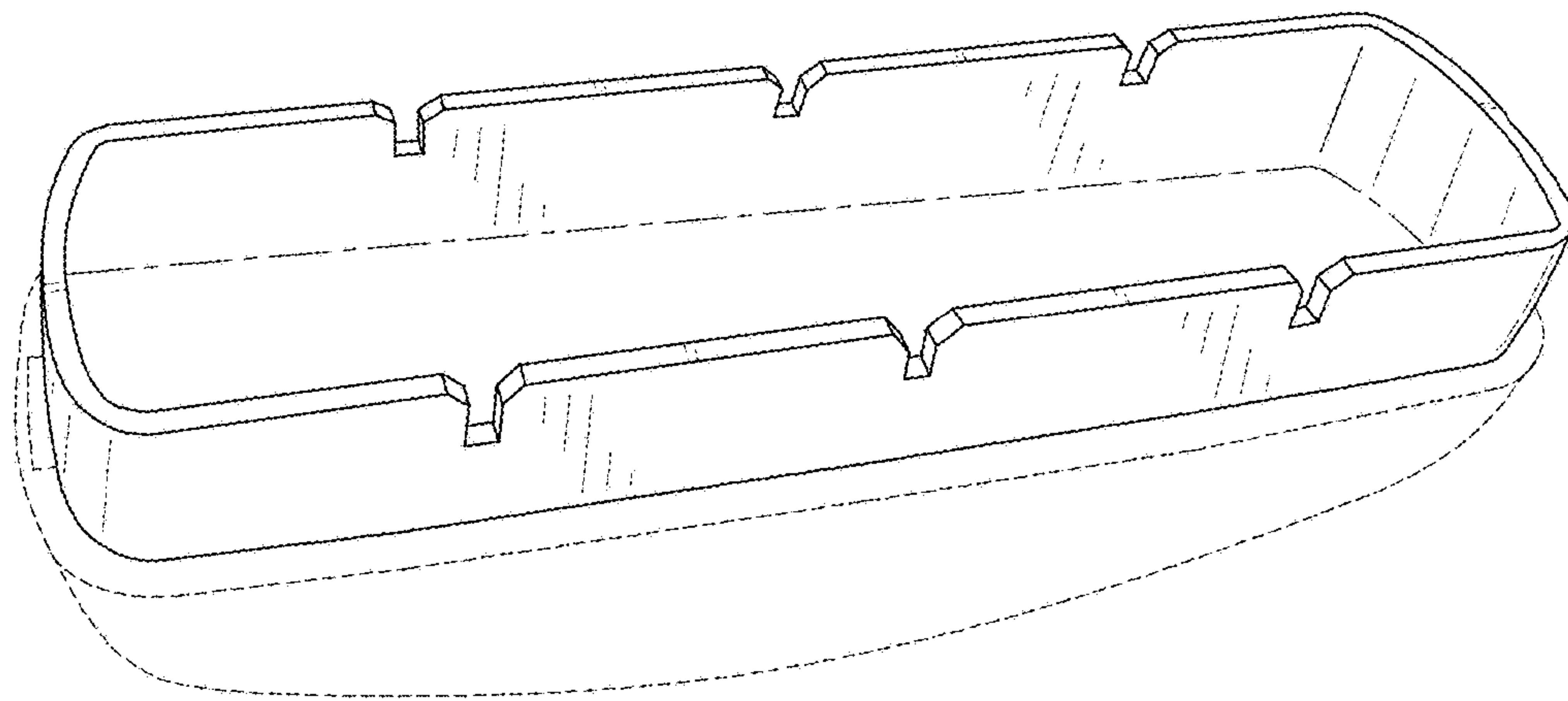


FIG. 1

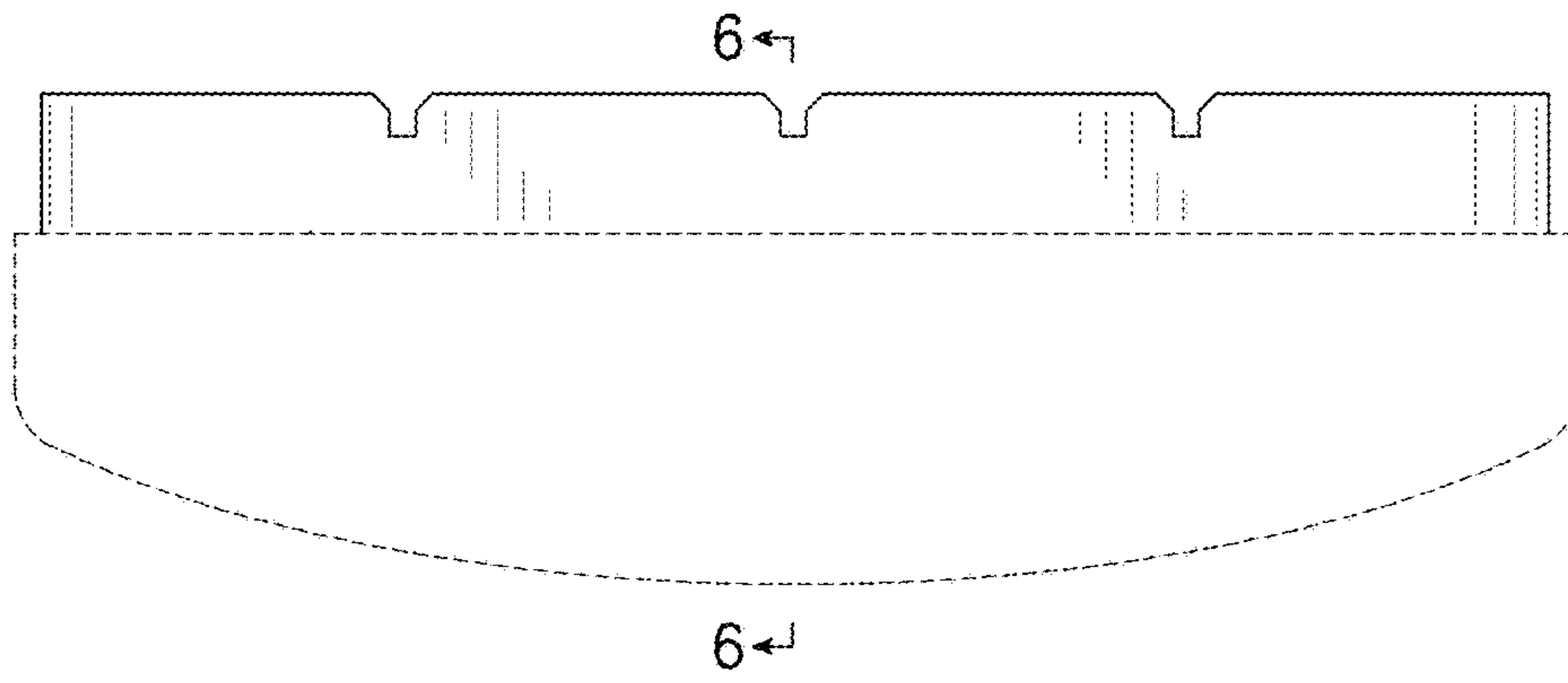


FIG. 2

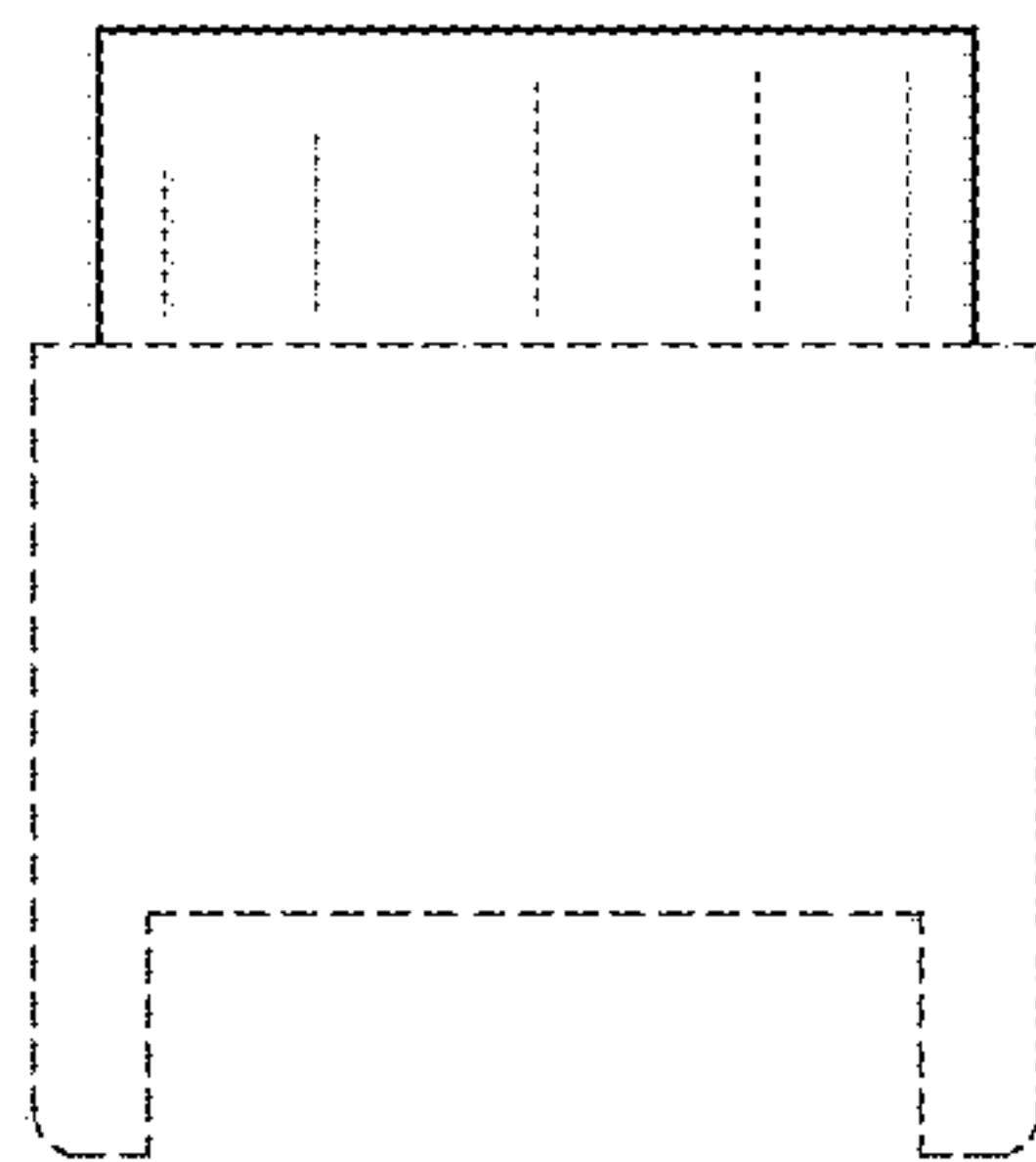


FIG. 3

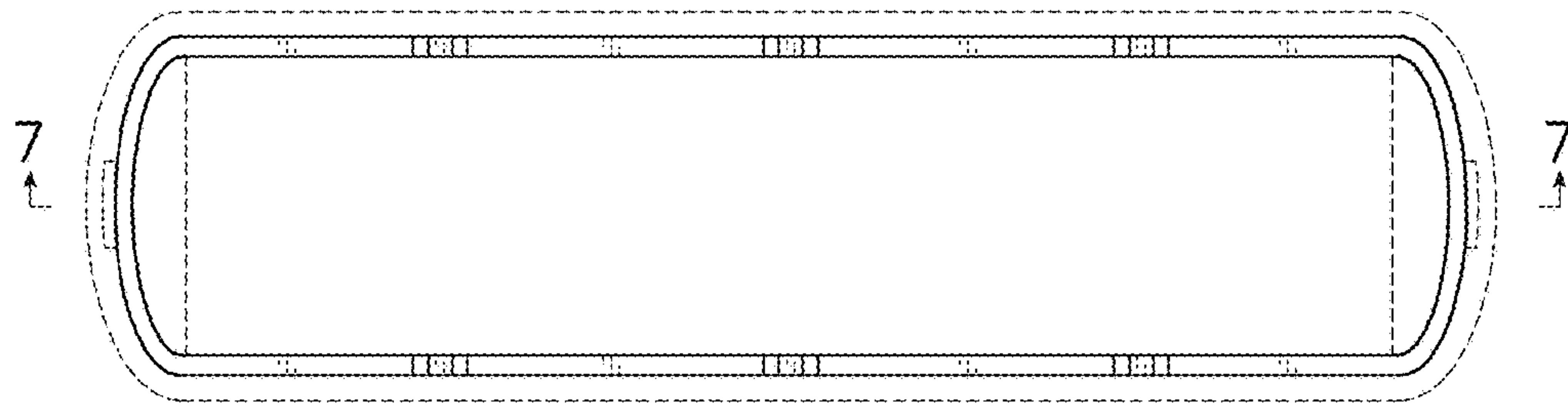


FIG. 4

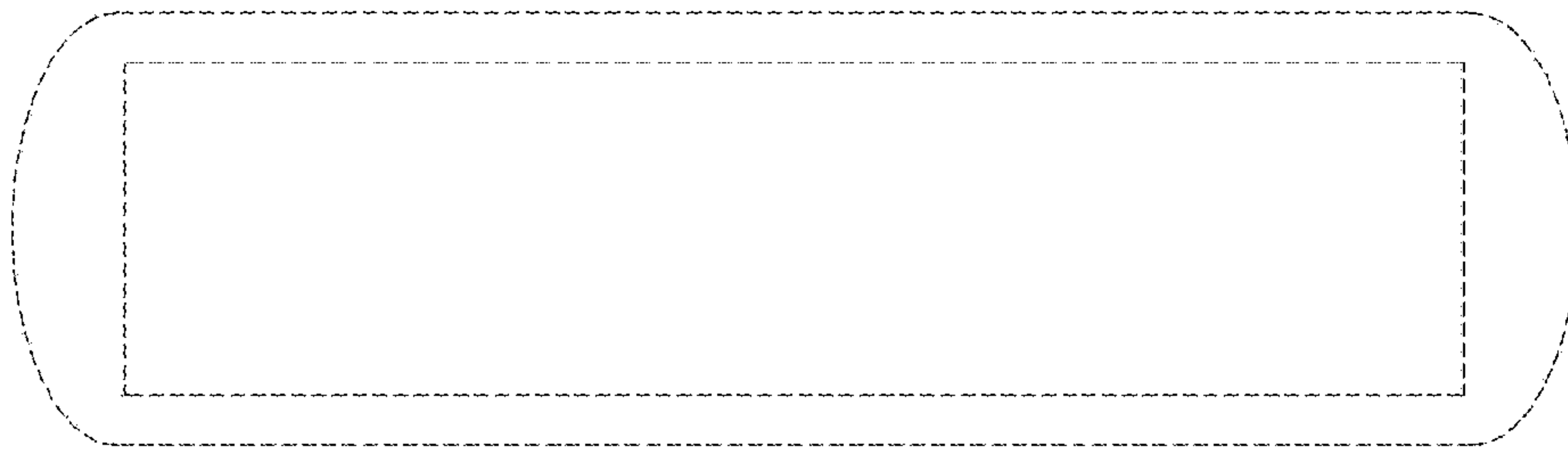


FIG. 5

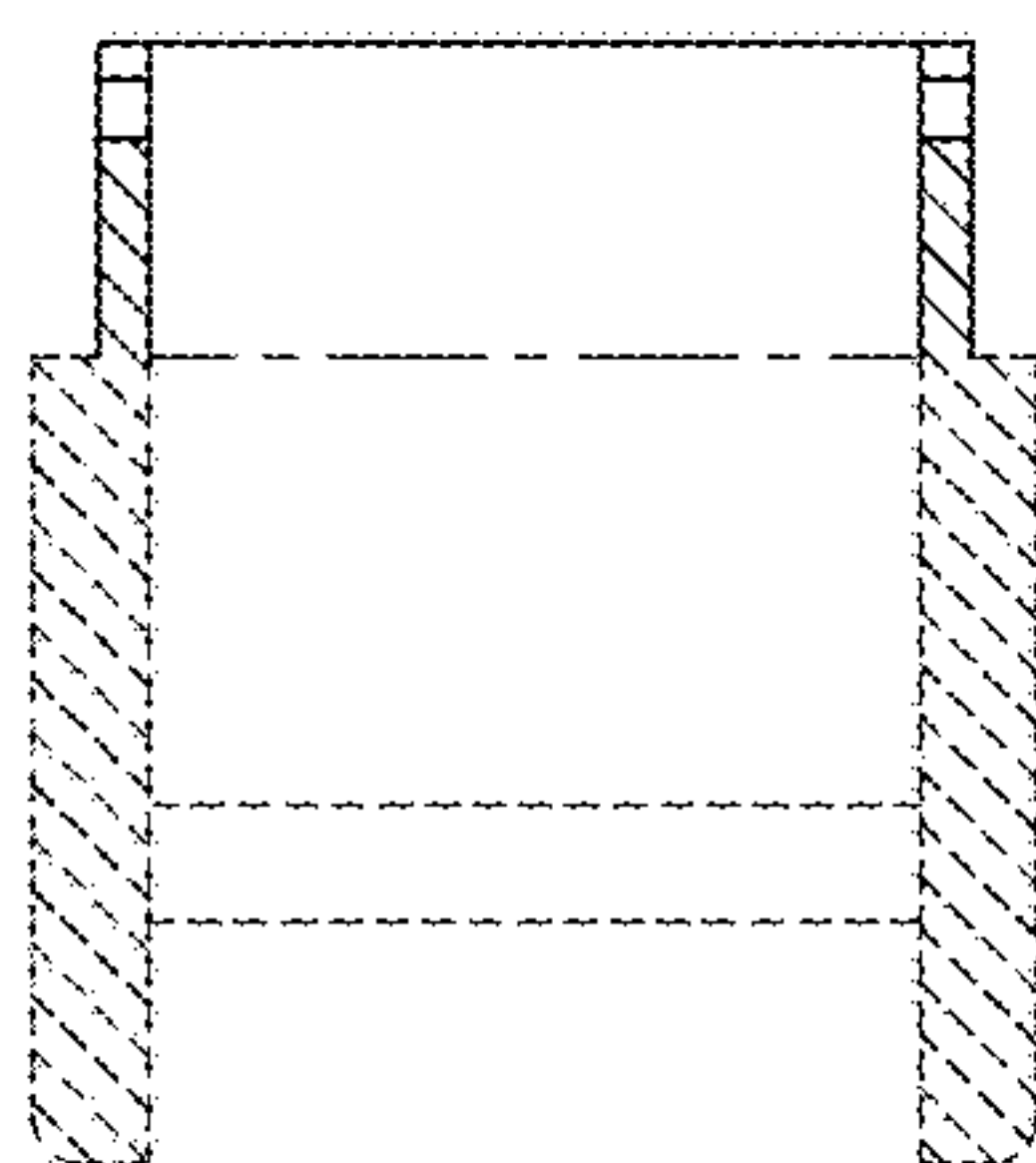


FIG. 6

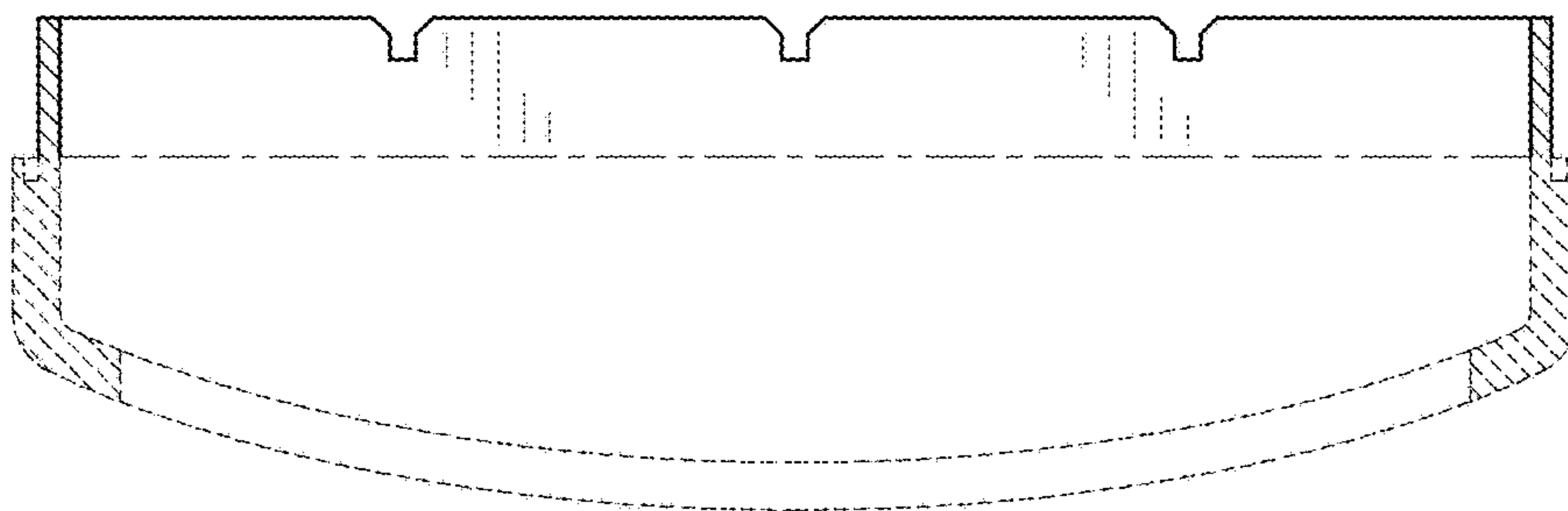


FIG. 7

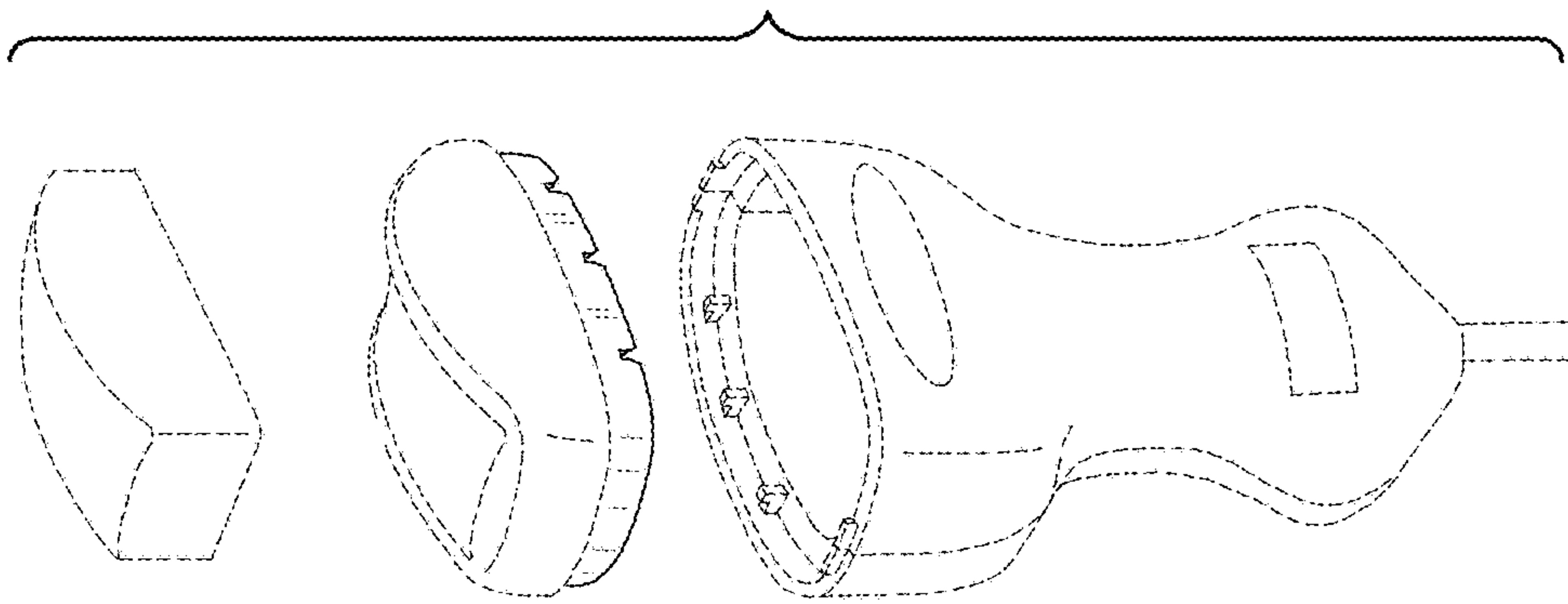


FIG. 8