



US00D847352S

(12) **United States Design Patent** (10) **Patent No.:** **US D847,352 S**
Chang et al. (45) **Date of Patent:** **** Apr. 30, 2019**

(54) **MEDICAL SUPPORTING CUSHION**
(71) Applicant: **APEX MEDICAL CORP**, New Taipei (TW)
(72) Inventors: **Ming-Lung Chang**, New Taipei (TW); **Shih-Chung Liu**, New Taipei (TW); **Yi-Ling Liu**, New Taipei (TW)
(73) Assignee: **APEX MEDICAL CORP.**, New Taipei (TW)
(**) Term: **15 Years**
(21) Appl. No.: **29/628,333**
(22) Filed: **Dec. 4, 2017**

(30) **Foreign Application Priority Data**

Nov. 13, 2017 (TW) 106306614

(51) **LOC (11) Cl.** **24-02**

(52) **U.S. Cl.**
USPC **D24/187**

(58) **Field of Classification Search**
USPC D24/110–110.4, 110.6, 127, 187;
D14/157, 188, 218, 475, 476, 483;
D13/168; D29/108
CPC A61M 16/06; A61M 16/0683; A61M
16/0605; A61M 16/0622; A61M 16/0616;
A61M 16/0633
See application file for complete search history.

(56) **References Cited**

U.S. PATENT DOCUMENTS

D281,012 S * 10/1985 Beck D24/187
D372,245 S * 7/1996 Brooks D14/218
D372,246 S * 7/1996 Renk D14/218
D412,977 S * 8/1999 Hayamizu D24/107

D420,138 S * 2/2000 Robinette D24/200
D421,986 S * 3/2000 Foote D14/138 AA
D435,295 S * 12/2000 Yoo D24/200
D451,197 S * 11/2001 Jefferson D24/183
D495,801 S * 9/2004 Kim D24/200
D526,623 S * 8/2006 Yin D13/168
D595,667 S * 7/2009 Lasky D13/168
D641,735 S * 7/2011 Santa Maria D14/218
D678,244 S * 3/2013 Behar D14/214
D721,814 S * 1/2015 Creed D13/168
D723,693 S * 3/2015 Banryu D24/158
D729,210 S * 5/2015 Behar D14/218
D734,743 S * 7/2015 Geck D14/218
D765,258 S * 8/2016 Marzynski D24/186
D767,507 S * 9/2016 Eastman D13/168
D774,493 S * 12/2016 Wong D14/218
D781,249 S * 3/2017 Park D13/168
D797,949 S * 9/2017 Carreon D24/200
D823,454 S * 7/2018 Bornholdt D24/110.4

* cited by examiner

Primary Examiner — Susan Bennett Hattan

Assistant Examiner — Omeed Agilee

(74) *Attorney, Agent, or Firm* — Muncy, Geissler, Olds & Lowe, P.C.

(57) **CLAIM**

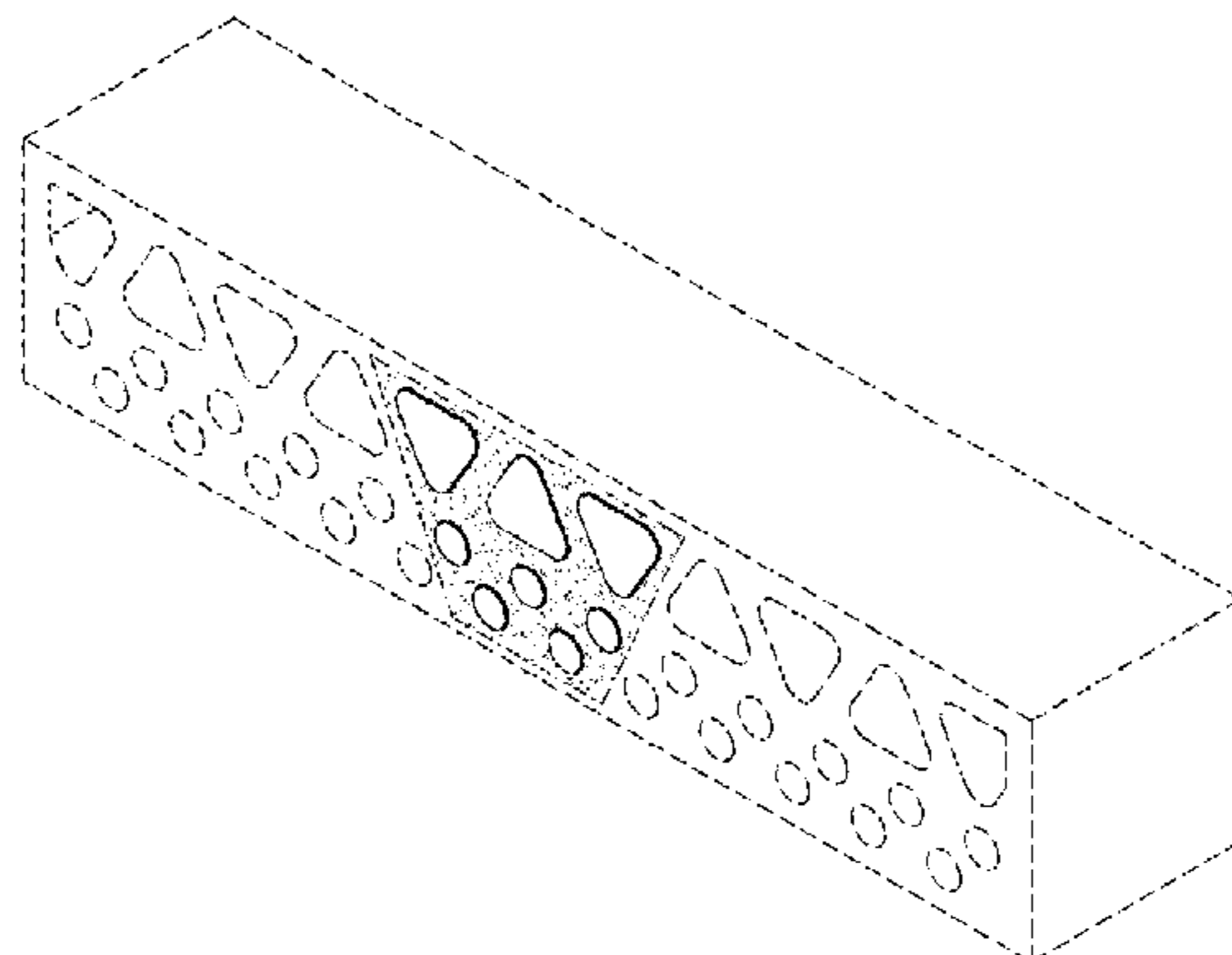
The ornamental design for a medical supporting cushion, as shown and described.

DESCRIPTION

FIG. 1 is a front left perspective view of the medical supporting cushion showing our new design; and, FIG. 2 is a front elevational view thereof, the rear elevational view being identical thereto.

The dot-dash broken lines represent unclaimed boundaries of the design. The dash-dash broken lines represent unclaimed subject matter and form no part of the claimed design. The stippled surface shading depicts a contrast in appearance relative to non-stippled areas.

1 Claim, 2 Drawing Sheets



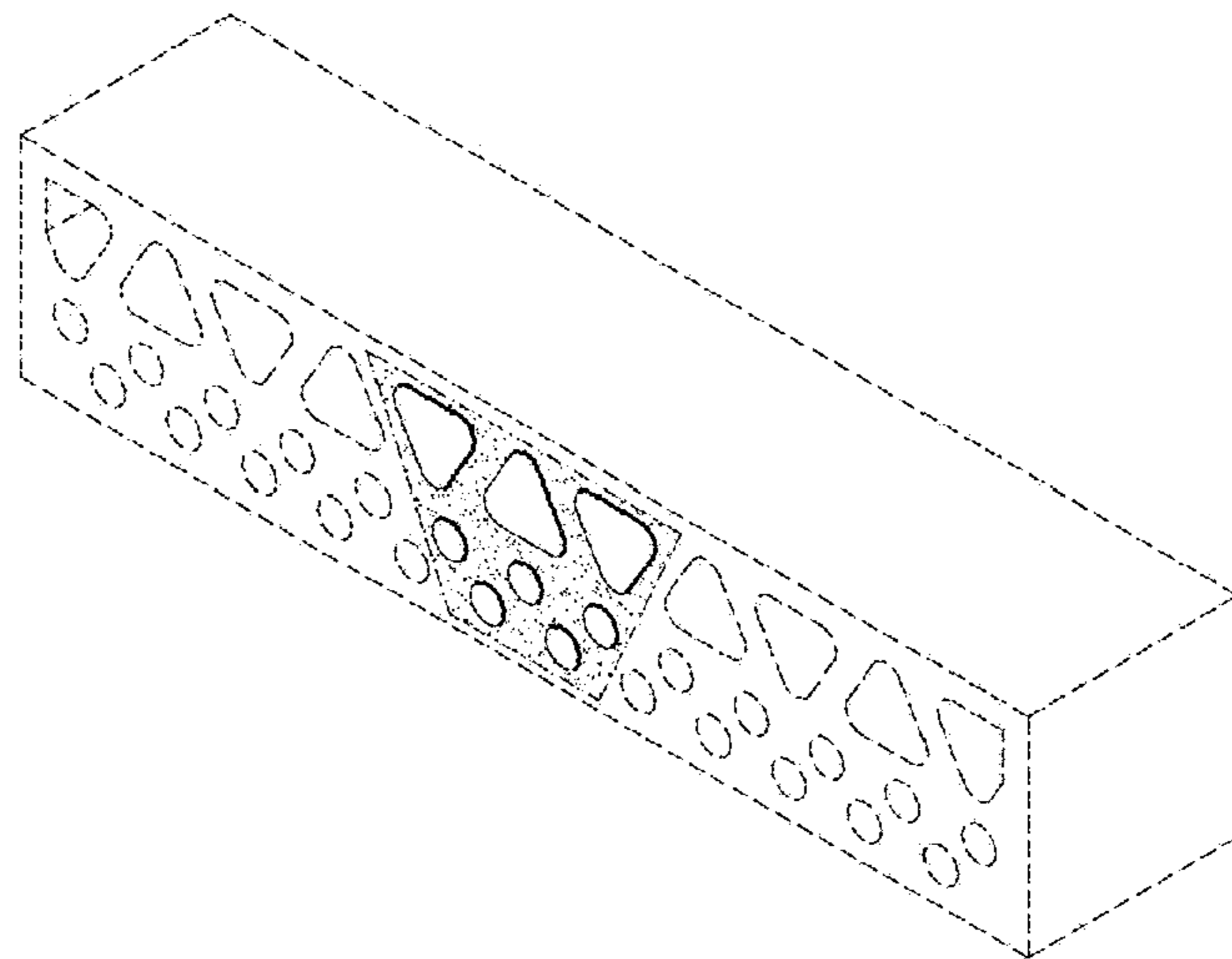


FIG. 1

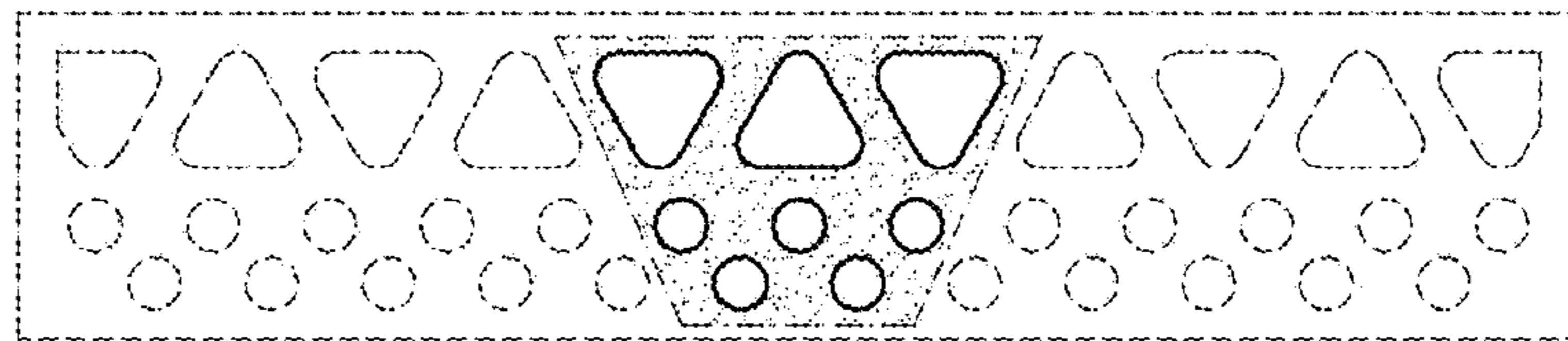


FIG. 2