

US00D847350S

(12) **United States Design Patent**
Eaton

(10) **Patent No.:** **US D847,350 S**

(45) **Date of Patent:** **** Apr. 30, 2019**

- (54) **AIRWAY DEVICE**
- (71) Applicant: **The Letheon Company LLC**, Willow Street, PA (US)
- (72) Inventor: **Peter David Eaton**, Willow Street, PA (US)
- (73) Assignee: **The Letheon Company LLC**, Arundel, ME (US)
- (**) Term: **15 Years**
- (21) Appl. No.: **29/552,038**
- (22) Filed: **Jan. 19, 2016**
- (51) **LOC (11) Cl.** **24-02**
- (52) **U.S. Cl.**
USPC **D24/181; D24/110**
- (58) **Field of Classification Search**
USPC D24/176-182, 191, 164, 110, 110.5, D24/110.4
CPC A61M 16/0488; A61M 16/049; A61M 16/0493; A61M 16/0495; A61M 16/0497; A63B 71/085; A63B 2071/086; A63B 2071/088
See application file for complete search history.

- 7,946,289 B2 * 5/2011 Munn A61M 16/0488 128/200.26
- 7,975,695 B2 * 7/2011 Munn A61M 16/0488 128/207.14
- 8,495,999 B2 * 7/2013 Law A61M 16/0488 128/200.26
- D777,316 S * 1/2017 Yamada D24/110.5
- 2009/0211574 A1 * 8/2009 Sniadach A61M 16/0488 128/200.26
- 2010/0065062 A1 * 3/2010 Rajan A61M 16/0488 128/207.14
- 2013/0019871 A1 * 1/2013 Nemirovsky A61M 16/0495 128/207.15
- 2017/0203067 A1 * 7/2017 Eaton A61M 16/0497

* cited by examiner

Primary Examiner — Wan Laymon

(74) *Attorney, Agent, or Firm* — May Eaton

(57) **CLAIM**

The ornamental design for an airway device, as shown and described.

DESCRIPTION

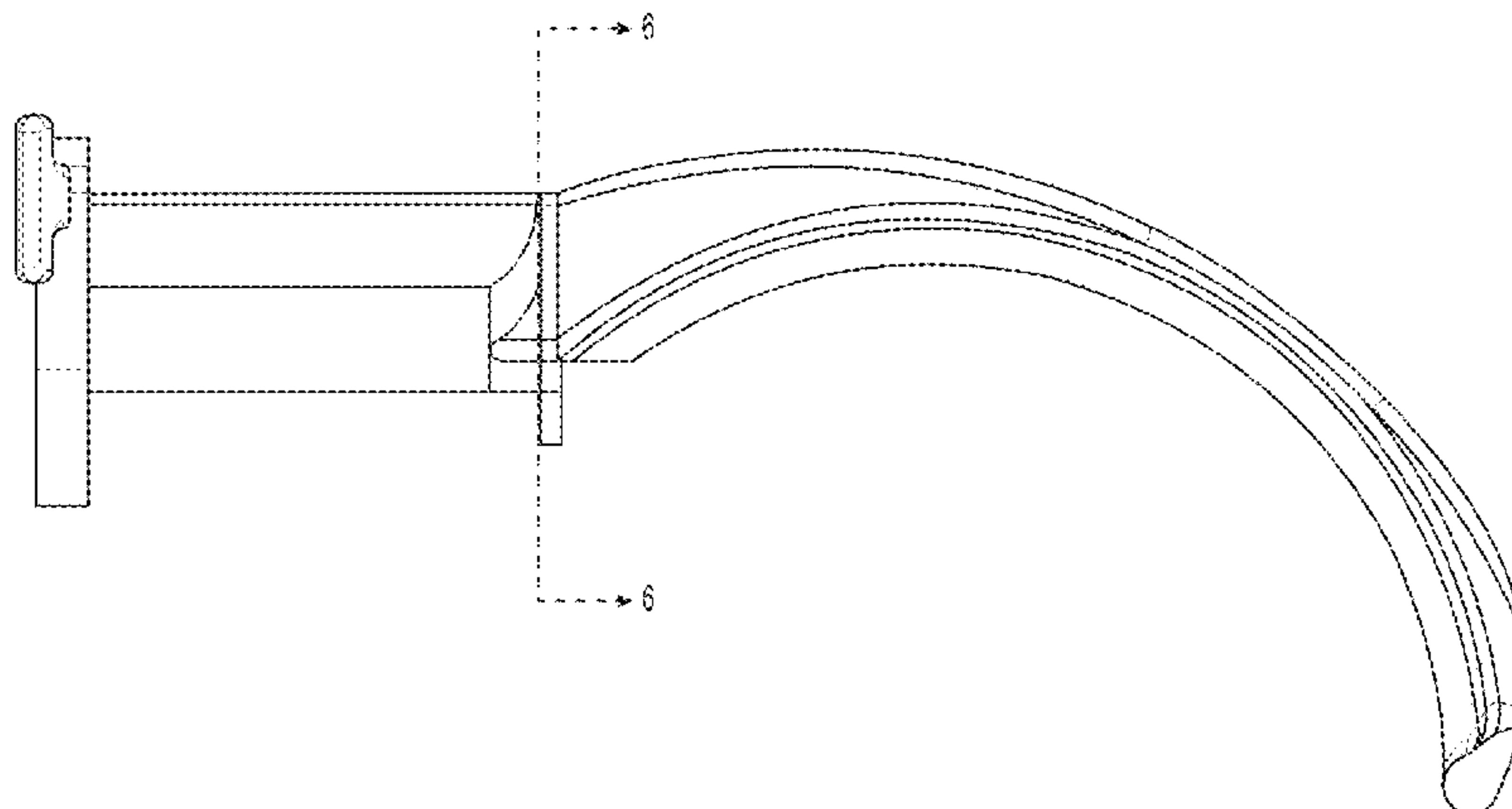
FIG. 1 is a side elevation view of an airway device showing the new design.
 FIG. 2 is a front elevation view of an airway device showing the new design.
 FIG. 3 is a rear elevation view an airway device showing the new design.
 FIG. 4 is a top view of an airway device showing the new design.
 FIG. 5 is a cross-sectional view of an airway device taken in the direction of line 5-5 of FIG. 4 showing the new design; and,
 FIG. 6 is a cross-sectional view of an airway device taken in the direction of line 6-6 of FIG. 1 showing the new design.

1 Claim, 6 Drawing Sheets

(56) **References Cited**

U.S. PATENT DOCUMENTS

- 3,568,680 A * 3/1971 Raimo A61M 16/0488 128/207.14
- 3,926,196 A * 12/1975 Bornhorst A61M 16/0488 128/207.14
- 3,930,507 A * 1/1976 Berman A61M 16/0488 128/207.14
- D300,176 S * 3/1989 Wadhwa D24/110
- 7,913,687 B2 * 3/2011 Munn A61M 16/0488 128/200.26



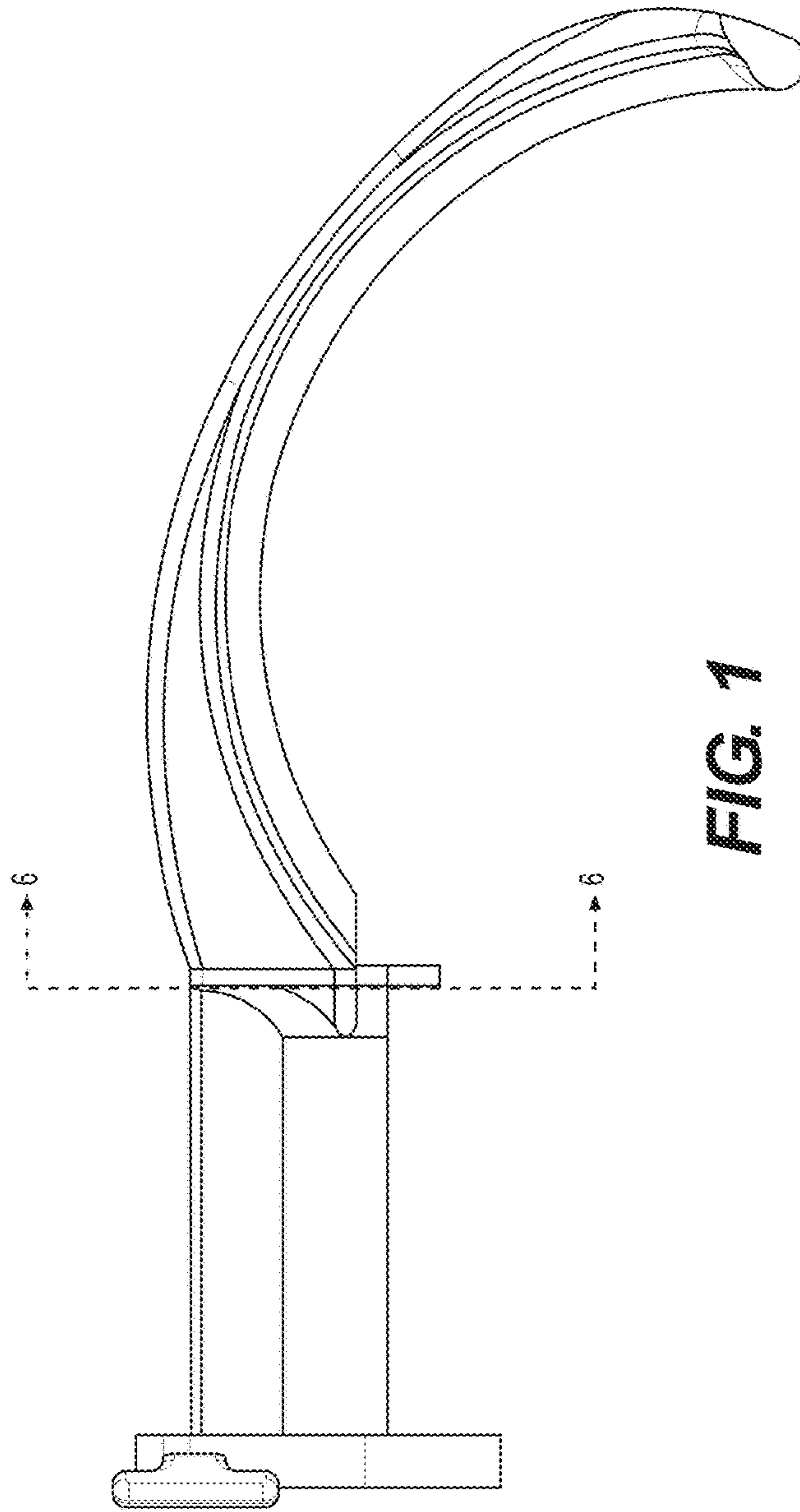


FIG. 1

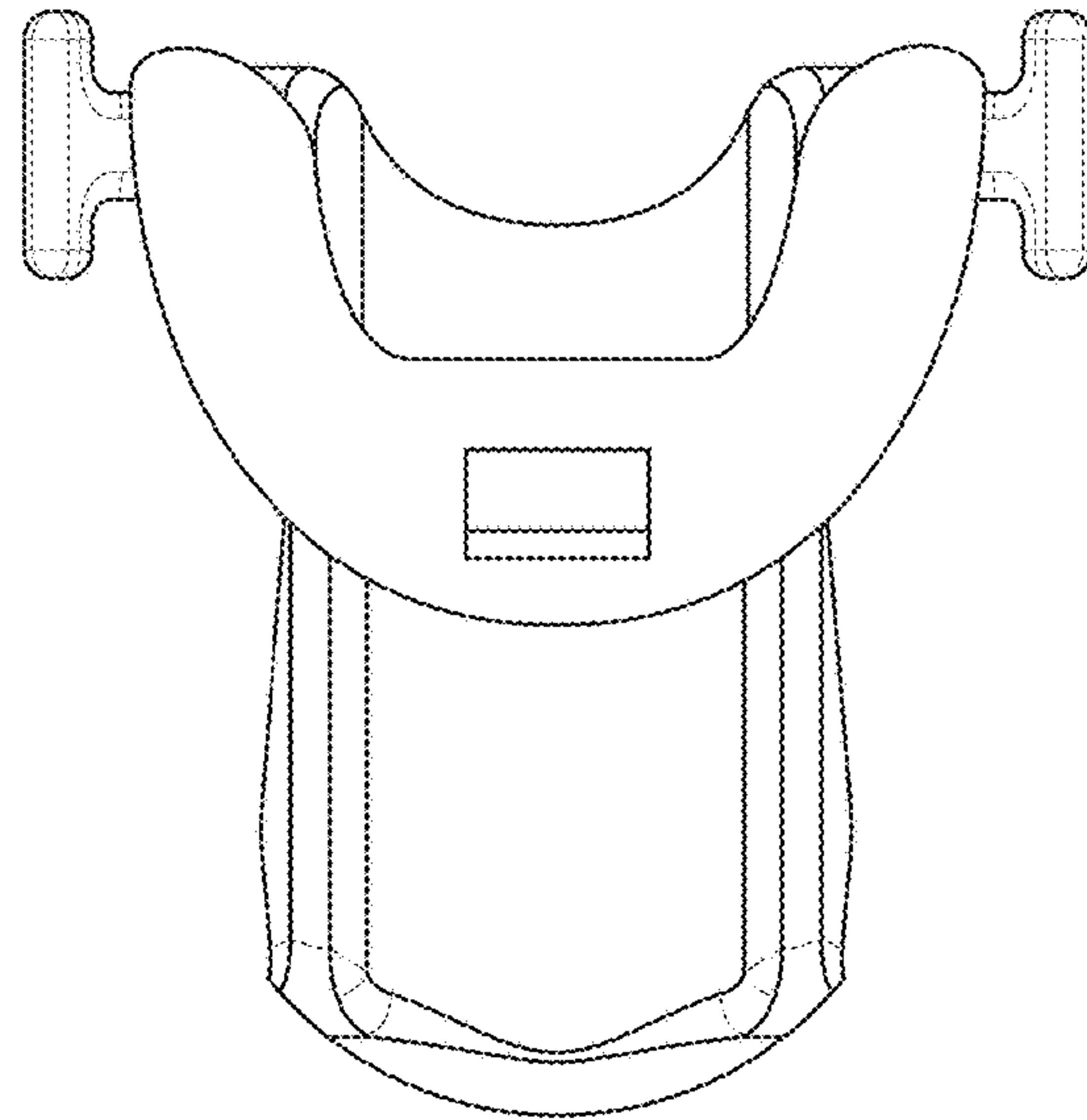


FIG. 2

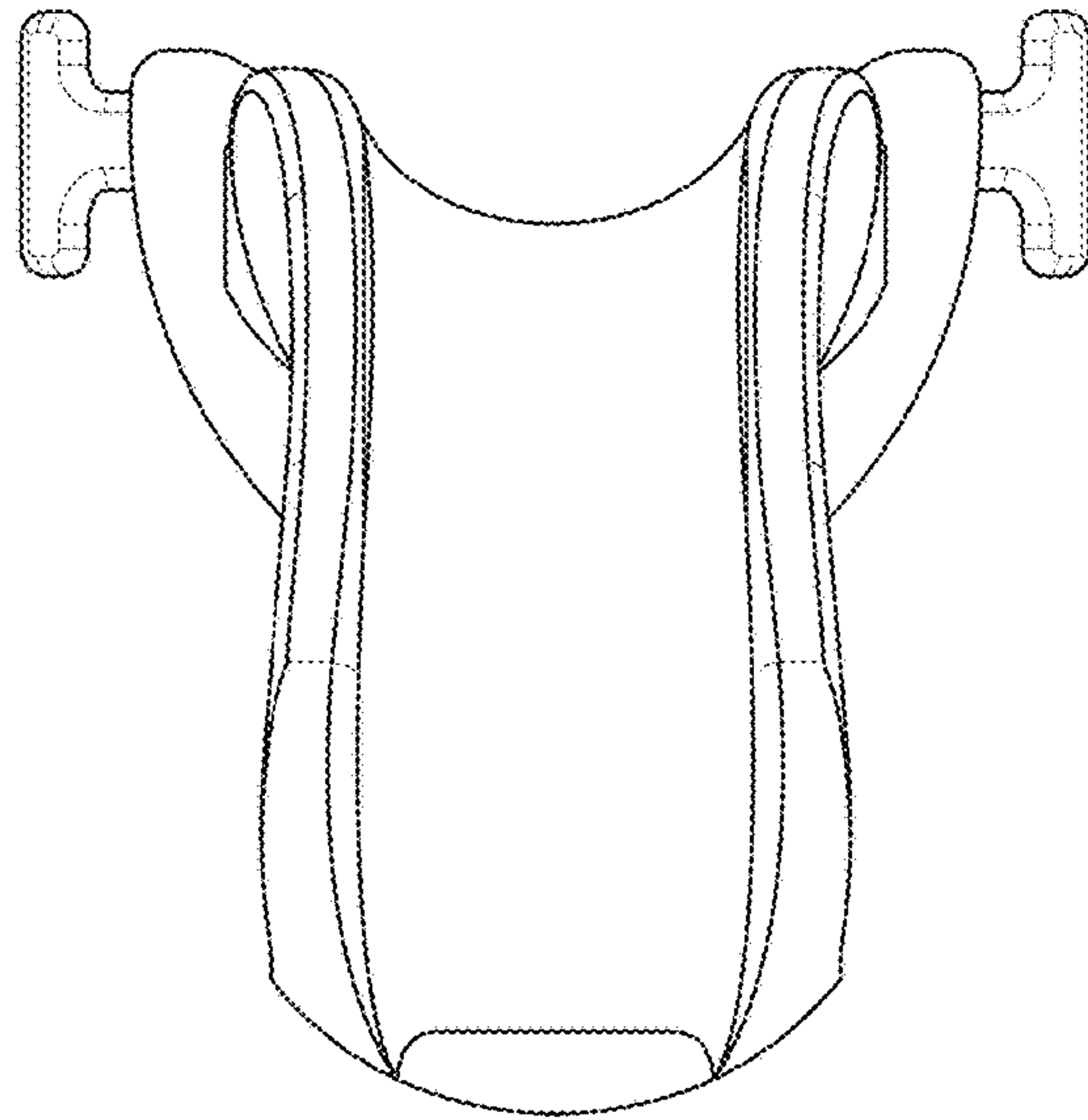


FIG. 3

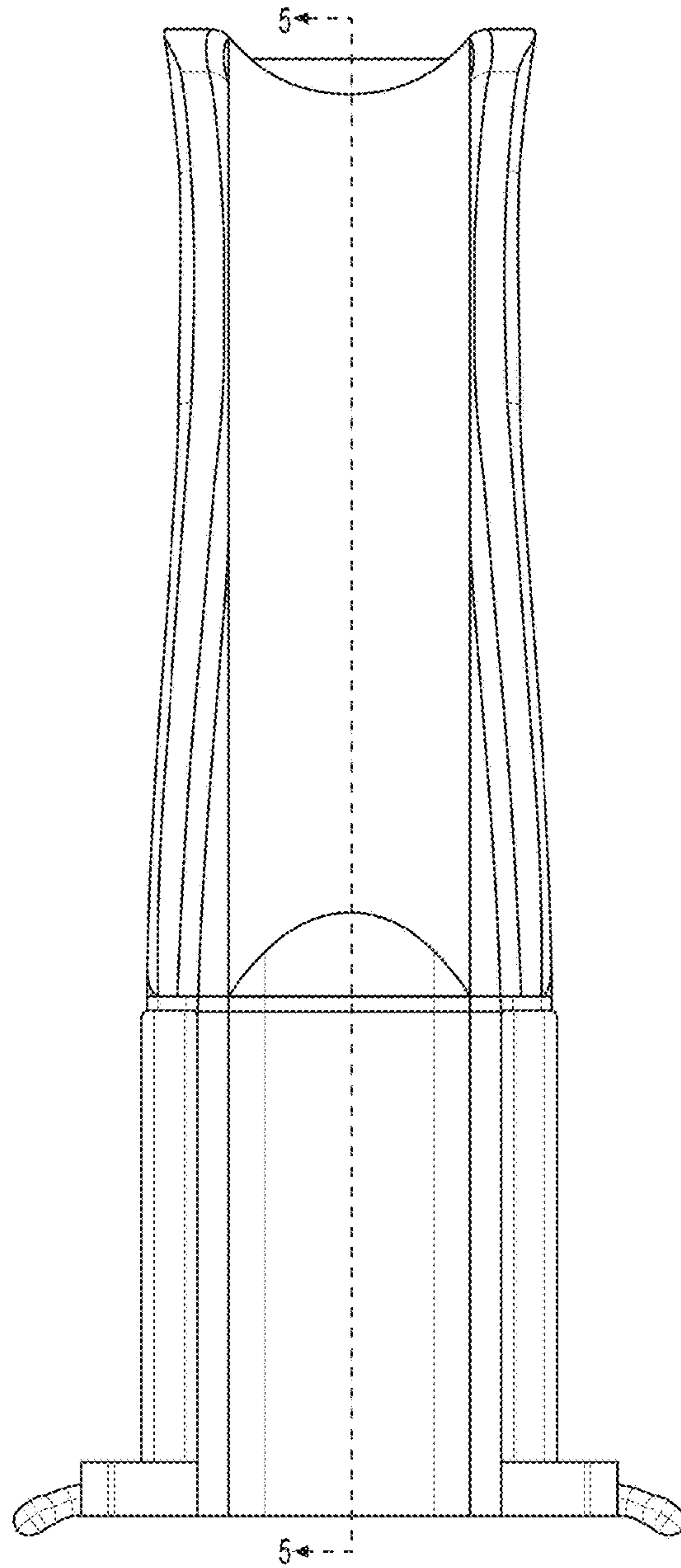


FIG. 4

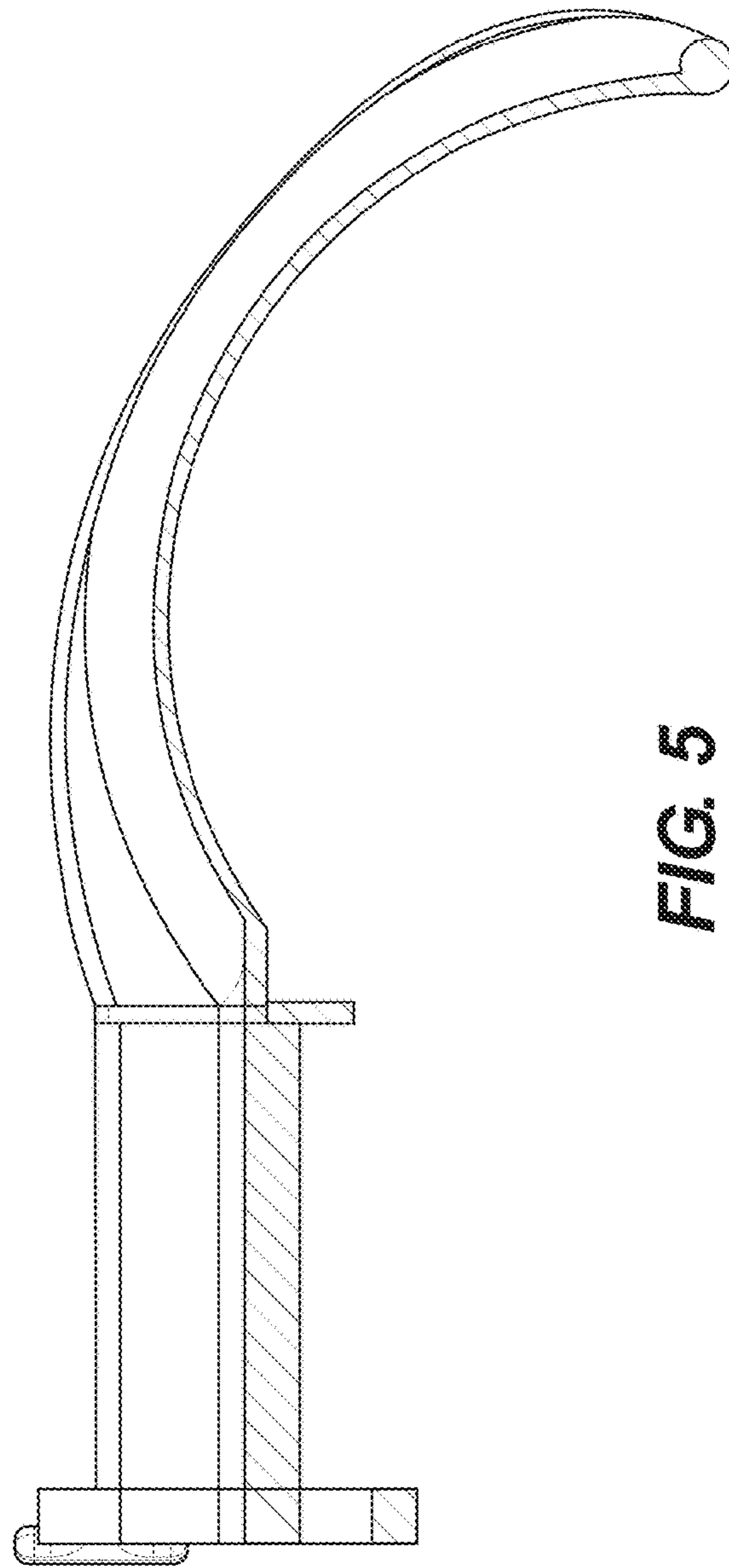


FIG. 5

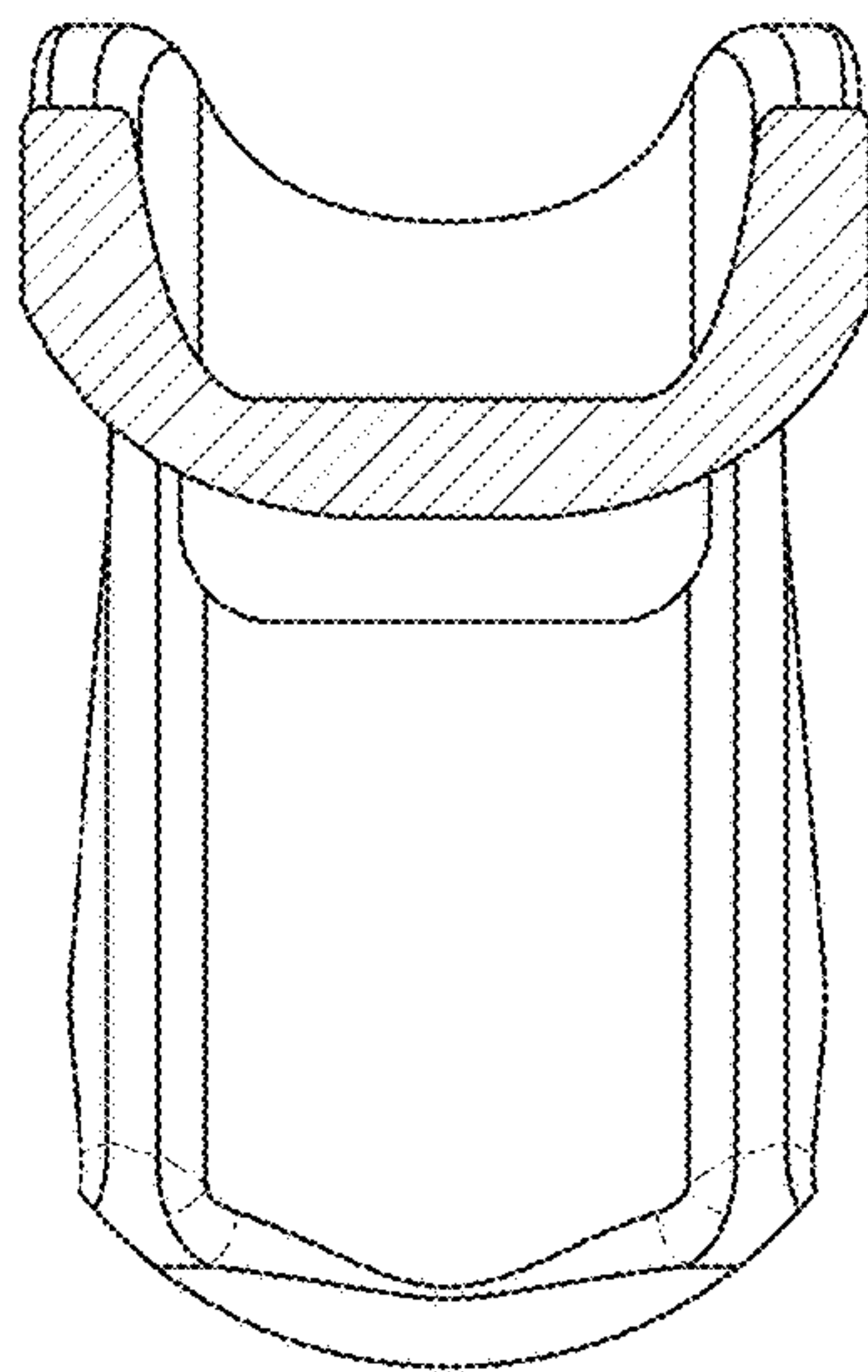


FIG. 6