

US00D847349S

(12) **United States Design Patent**  
**Edgren**

(10) **Patent No.:** **US D847,349 S**

(45) **Date of Patent:** **\*\* Apr. 30, 2019**

- (54) **ORTHODONTIC LOCK WITH FLANGE**
- (71) Applicant: **RMO, Inc.**, Denver, CO (US)
- (72) Inventor: **Bradford N Edgren**, Greeley, CO (US)
- (73) Assignee: **RMO, Inc.**, Denver, CO (US)
- (\*\*) Term: **15 Years**
- (21) Appl. No.: **29/634,195**
- (22) Filed: **Jan. 18, 2018**

3,055,110 A 9/1962 Kesling  
 3,158,934 A 12/1964 Waldman  
 3,193,930 A 7/1965 Bien  
 (Continued)

**FOREIGN PATENT DOCUMENTS**

DE 8903611 8/1990  
 DE 69228472 10/1999  
 (Continued)

**OTHER PUBLICATIONS**

U.S. Appl. No. 10/821,699, Ricketts.  
 (Continued)

**Related U.S. Application Data**

- (63) Continuation-in-part of application No. 15/380,814, filed on Dec. 15, 2016, now abandoned, which is a continuation-in-part of application No. 13/919,545, filed on Jun. 17, 2013, now abandoned, which is a continuation-in-part of application No. 13/240,850, filed on Sep. 22, 2011, now abandoned.

(51) **LOC (11) Cl.** ..... **24-02**

(52) **U.S. Cl.**  
USPC ..... **D24/180**

(58) **Field of Classification Search**  
 USPC ..... D24/180–181, 176, 156  
 CPC .... A61C 7/00; A61C 7/12; A61C 7/14; A61C 7/141; A61C 7/143; A61C 7/145; A61C 7/16; A61C 7/28; A61C 7/282; A61C 7/285; A61C 7/287; A61C 7/34  
 See application file for complete search history.

(56) **References Cited**

**U.S. PATENT DOCUMENTS**

597,582 A 1/1898 Knapp  
 626,476 A 6/1899 Angle  
 1,890,487 A 12/1932 Angle  
 2,011,575 A 8/1935 Ford  
 2,104,192 A 1/1938 Ford  
 2,196,515 A 4/1940 Atkinson  
 3,028,671 A 4/1962 Berger

*Primary Examiner* — Wan Laymon  
 (74) *Attorney, Agent, or Firm* — Sheridan Ross P.C.

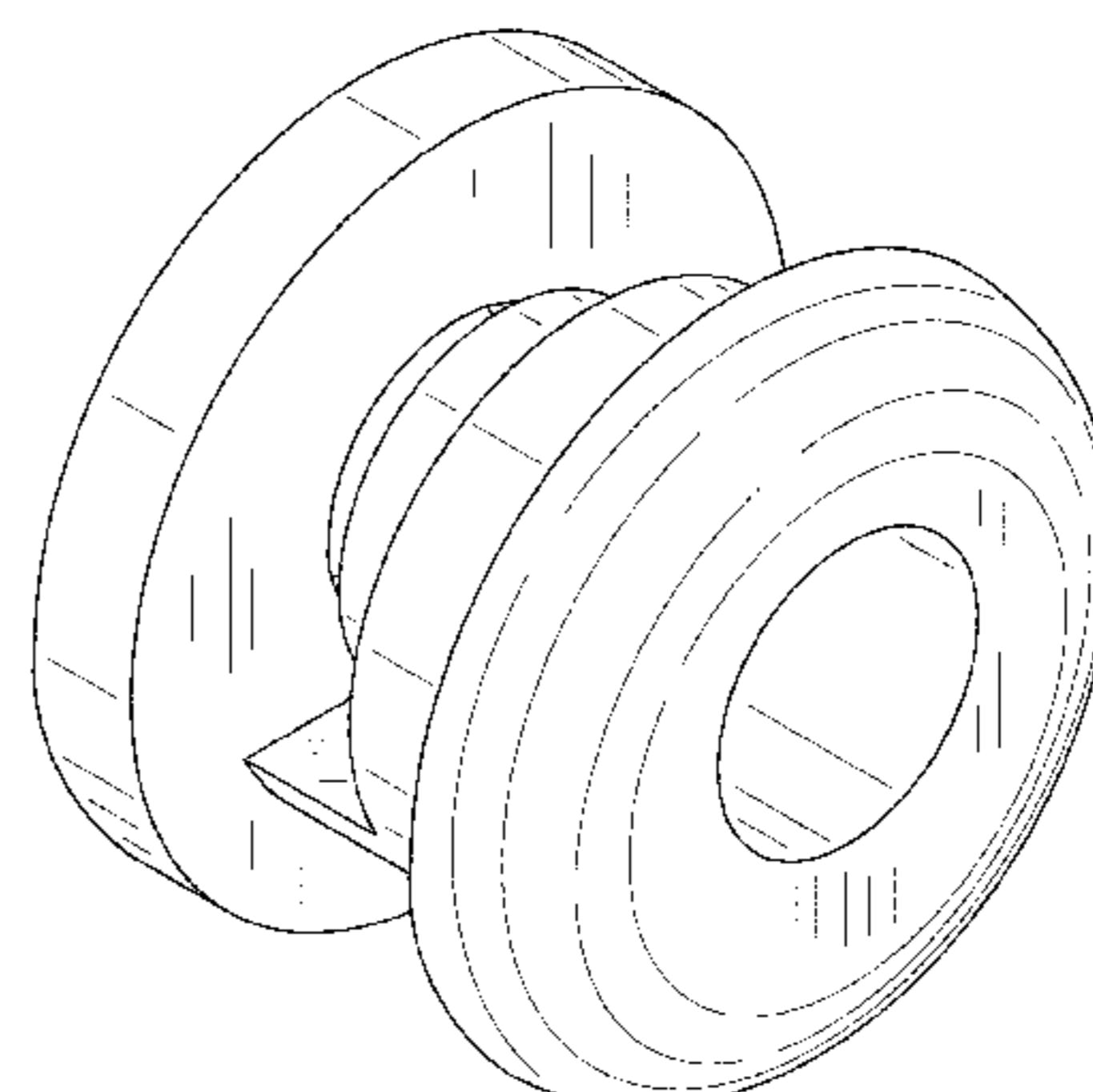
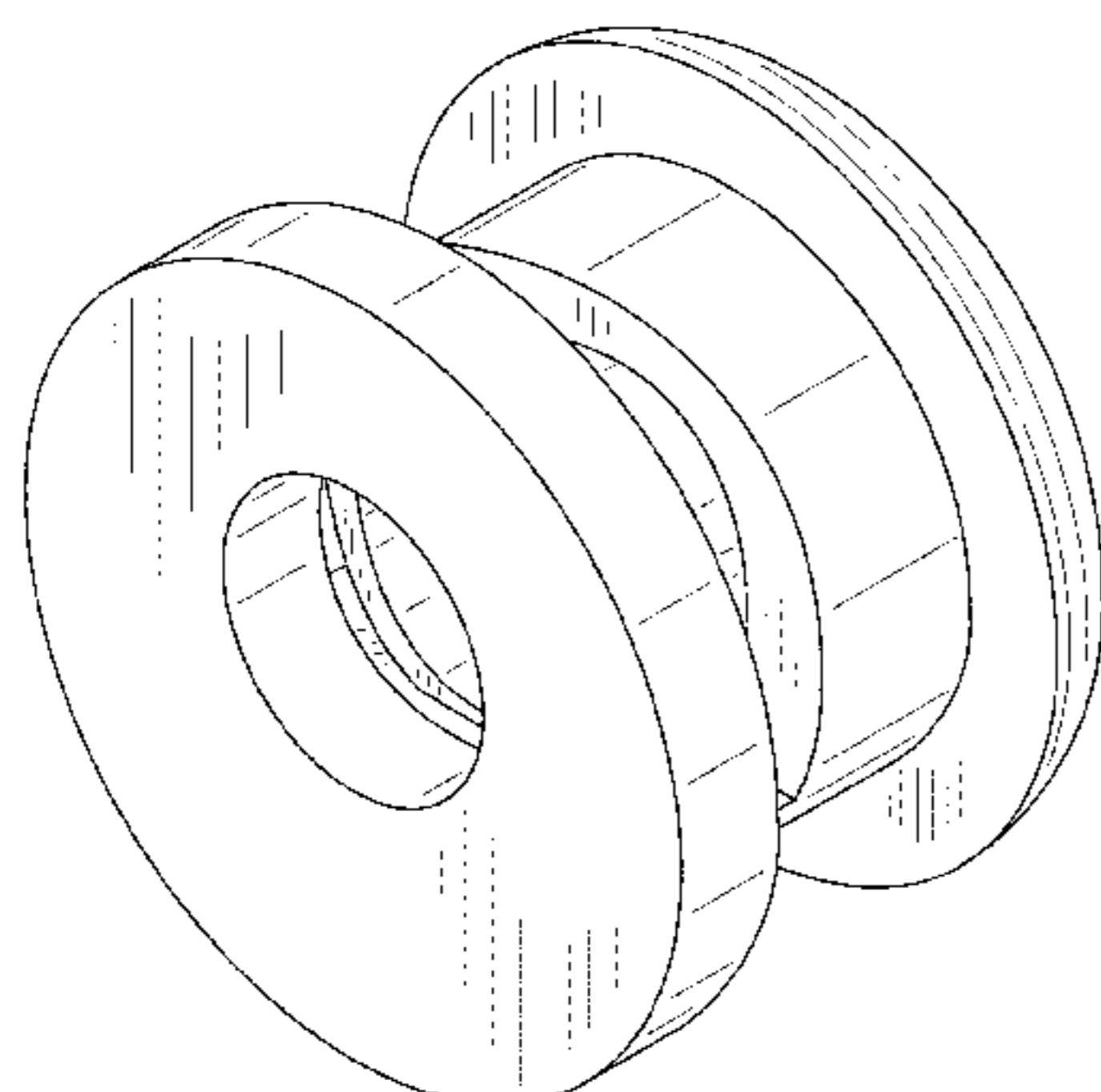
(57) **CLAIM**

I claim the ornamental design for an orthodontic lock with flange, as shown and described.

**DESCRIPTION**

FIG. 1 is a front perspective view of the orthodontic lock with flange disclosed herein;  
 FIG. 2 is a back perspective view of the orthodontic lock with flange disclosed herein;  
 FIG. 3 is a front view of the orthodontic lock with flange disclosed herein;  
 FIG. 4 is a back view of the orthodontic lock with flange disclosed herein;  
 FIG. 5 is a right side view of the orthodontic lock with flange disclosed herein;  
 FIG. 6 is a left side view of the orthodontic lock with flange disclosed herein;  
 FIG. 7 is a top view of the orthodontic lock with flange disclosed herein; and,  
 FIG. 8 is a bottom view of the orthodontic lock with flange disclosed herein.

**1 Claim, 8 Drawing Sheets**



(56)

## References Cited

## U.S. PATENT DOCUMENTS

3,391,461 A	7/1968	Johnson	4,838,786 A	6/1989	Reher et al.
3,435,527 A	4/1969	Kesling	4,854,866 A	8/1989	Wilson
3,494,034 A	2/1970	Kesling	4,859,179 A	8/1989	Kesling
3,504,438 A	4/1970	Wittman et al.	4,900,251 A	2/1990	Andreasen
3,526,961 A	9/1970	Kesling	4,917,602 A	4/1990	Broussard
3,765,091 A	10/1973	Northcutt	4,927,360 A	5/1990	Pospisil
3,798,773 A	3/1974	Northcutt	4,927,362 A	5/1990	Snead
3,838,514 A	10/1974	Polak	4,954,080 A	9/1990	Kelly et al.
3,854,207 A	12/1974	Wildman	4,963,092 A	10/1990	Snead
3,874,080 A	4/1975	Wallshein	4,975,052 A	12/1990	Spencer et al.
3,916,526 A	11/1975	Schudy	4,997,182 A	3/1991	Kussick
3,964,156 A	6/1976	Williams et al.	5,022,854 A	6/1991	Broughton et al.
3,975,824 A	8/1976	Lee	5,030,089 A	7/1991	Kawaguchi
3,985,282 A	10/1976	Miller et al.	5,035,614 A	7/1991	Greenfield
3,987,547 A	10/1976	Moss	5,044,945 A	9/1991	Peterson
4,015,334 A	4/1977	Moss	5,057,012 A	10/1991	Kesling
4,028,809 A	6/1977	Wallshein	5,059,119 A	10/1991	Snead
4,083,113 A	4/1978	Miller et al.	5,062,794 A	11/1991	Miura
4,103,423 A	8/1978	Kessel	5,066,225 A	11/1991	Forbes Jones et al.
4,134,208 A	1/1979	Pearlman	D322,482 S	12/1991	Ianieri et al.
4,171,568 A	10/1979	Forster	5,095,602 A	3/1992	Reher et al.
4,172,999 A	10/1979	Leidich	5,120,218 A	6/1992	Hanson
4,183,141 A	1/1980	Dellinger et al.	5,125,831 A	6/1992	Pospisil
4,192,070 A	3/1980	Lemchen et al.	5,125,832 A	6/1992	Kesling
4,193,195 A	3/1980	Merkel et al.	5,127,828 A	7/1992	Suyama
4,197,642 A	4/1980	Wallshein	5,133,740 A	7/1992	Kussick
4,212,638 A	7/1980	Korn	5,151,028 A	9/1992	Snead
4,219,617 A	8/1980	Wallshein	5,154,607 A	10/1992	Hanson
D256,950 S	9/1980	Sable	5,158,452 A	10/1992	Franseen et al.
4,242,085 A	12/1980	Wallshein	5,160,261 A	11/1992	Peterson
4,248,587 A	2/1981	Kurz	5,161,969 A	11/1992	Pospisil et al.
4,260,375 A	4/1981	Wallshein	D331,975 S	12/1992	Pospisil
4,284,405 A	8/1981	Dellinger	5,183,388 A	2/1993	Kumar
4,299,569 A	11/1981	Frantz	5,203,804 A	4/1993	Nikutowski et al.
4,302,532 A	11/1981	Wallshein	5,224,858 A	7/1993	Hanson
4,322,206 A	3/1982	Reynolds	5,226,814 A	7/1993	Allen
4,350,487 A	9/1982	Kesling et al.	5,230,620 A	7/1993	Watanabe
4,354,834 A	10/1982	Wilson	5,238,402 A	8/1993	Rohlcke et al.
4,382,783 A	5/1983	Rosenberg	5,242,299 A	9/1993	Yoshida
4,386,908 A	6/1983	Kurz	D340,523 S	10/1993	Barngrover
4,415,330 A	11/1983	Daisley et al.	5,252,066 A	10/1993	Fairhurst
4,419,078 A	12/1983	Pletcher	5,254,002 A	10/1993	Reher et al.
4,430,061 A	2/1984	Webb et al.	5,267,855 A	12/1993	Tuneberg
4,455,137 A	6/1984	Diamond	5,269,680 A	12/1993	Kawaguchi
4,462,800 A	7/1984	Jones	5,277,581 A	1/1994	Peterson
4,478,577 A	10/1984	Warren, Jr.	5,288,229 A	2/1994	Huff et al.
4,498,867 A	2/1985	Kesling	5,292,248 A	3/1994	Schultz
4,511,331 A	4/1985	Scebold et al.	5,299,934 A	4/1994	Suyama
4,527,975 A	7/1985	Ghafari et al.	5,302,117 A	4/1994	Kraut et al.
4,529,382 A	7/1985	Creekmore	5,302,121 A	4/1994	Gagin
4,531,911 A	7/1985	Creekmore	5,320,525 A	6/1994	Forster
4,531,991 A	7/1985	Ziemek et al.	5,320,526 A	6/1994	Tuneberg
4,545,760 A	10/1985	Forster	5,322,435 A	6/1994	Pletcher
4,551,095 A	11/1985	Mason	5,322,613 A	6/1994	Ohira
4,575,337 A	3/1986	Fujita	5,356,288 A	10/1994	Cohen
4,626,209 A	12/1986	Tsai et al.	5,358,402 A	10/1994	Reed et al.
4,639,218 A	1/1987	Jones et al.	5,362,232 A	11/1994	Franseen et al.
4,659,309 A	4/1987	Merkel	5,362,233 A	11/1994	Thompson
4,661,059 A	4/1987	Kanno	5,378,147 A	1/1995	Mihailowitsch
D290,040 S	5/1987	Kelly	5,380,196 A	1/1995	Kelly et al.
4,669,979 A	6/1987	Snead	5,383,784 A	1/1995	Sernetz
4,669,981 A	6/1987	Kurz	5,395,238 A	3/1995	Andreiko et al.
4,675,978 A	6/1987	Swartz	D358,649 S	5/1995	Moschik
D291,919 S	9/1987	Reynolds	D358,650 S	5/1995	Moschik
4,700,697 A	10/1987	Mundell et al.	D359,776 S	6/1995	Hilgers
4,712,999 A	12/1987	Rosenberg	5,439,379 A	8/1995	Hansen
4,752,221 A	6/1988	Hanson et al.	5,441,408 A	8/1995	Moschik
4,773,853 A	9/1988	Kussick	5,441,409 A	8/1995	Tuneberg
4,781,334 A	11/1988	Derichs	5,443,384 A	8/1995	Franseen et al.
4,781,582 A	11/1988	Kesling	5,454,716 A	10/1995	Banerjee et al.
4,793,804 A	12/1988	Schudy	5,464,349 A	11/1995	Andreiko et al.
4,795,342 A	1/1989	Jones	5,470,228 A	11/1995	Franseen et al.
4,799,882 A	1/1989	Kesling	5,474,444 A	12/1995	Wildman
4,819,316 A	4/1989	Rossini et al.	5,474,445 A	12/1995	Voudouris
4,820,151 A	4/1989	Pospisil	5,505,616 A	4/1996	Harwell
			5,522,725 A	6/1996	Jordan et al.
			5,545,037 A	8/1996	Takeshi
			5,556,277 A	9/1996	Yawata et al.
			5,562,445 A	10/1996	DeVincenzo et al.

(56)

References Cited

U.S. PATENT DOCUMENTS

5,588,833	A	12/1996	Risse	6,655,957	B2	12/2003	Abels et al.
5,595,484	A	1/1997	Orikasa et al.	6,655,958	B2	12/2003	Abels et al.
5,597,302	A	1/1997	Pospisil et al.	6,656,767	B1	12/2003	King et al.
5,607,301	A	3/1997	Roman	6,659,766	B2	12/2003	Abels et al.
5,616,026	A	4/1997	Cash	6,659,767	B2	12/2003	Abels et al.
5,618,175	A	4/1997	Reher et al.	6,663,385	B2	12/2003	Tepper
5,620,321	A	4/1997	Thornburg et al.	6,668,834	B1	12/2003	Zikria
5,622,494	A	4/1997	Andreiko et al.	6,695,612	B2	2/2004	Abels et al.
5,645,424	A	7/1997	Collins	6,705,862	B2	3/2004	Schultz
5,653,588	A	8/1997	Moschik	6,709,268	B2	3/2004	Pospisil et al.
5,685,711	A	11/1997	Hanson	6,733,286	B2	5/2004	Abels et al.
5,692,898	A	12/1997	Orikasa et al.	6,769,910	B1	8/2004	Pantino
5,707,231	A	1/1998	Watt et al.	6,776,613	B2	8/2004	Orikasa
5,720,611	A	2/1998	Teng	6,776,614	B2	8/2004	Wiechmann et al.
5,727,941	A	3/1998	Kesling	6,846,178	B2	1/2005	Freeman, Jr. et al.
5,729,768	A	3/1998	Fields et al.	6,863,528	B2	3/2005	Lin
5,738,514	A	4/1998	DeVincenzo et al.	6,877,982	B2	4/2005	Williams
5,746,592	A	5/1998	Nezu et al.	6,893,257	B2	5/2005	Kelly
5,746,594	A	5/1998	Jordan et al.	6,903,262	B2	6/2005	Blersch
RE35,863	E	7/1998	Sachdeva et al.	6,910,884	B2	6/2005	Kelly et al.
5,779,470	A	7/1998	Kussick	6,913,459	B2	7/2005	Fukutomi
5,791,897	A	8/1998	Wildman	7,001,179	B2	2/2006	Devincenzo
5,810,583	A	9/1998	Doyle	7,025,591	B1	4/2006	Kesling
5,820,371	A	10/1998	Forster	7,033,170	B2	4/2006	Cordato
5,829,972	A	11/1998	Farzin-Nia	7,033,171	B2	4/2006	Wilkerson
5,829,975	A	11/1998	Gold	7,055,908	B1	6/2006	Williams
5,857,849	A	1/1999	Kurz	7,074,037	B2	7/2006	Macchi
5,871,350	A	2/1999	Clark et al.	7,094,052	B2	8/2006	Abels et al.
5,879,157	A	3/1999	Schue	7,140,875	B2	11/2006	Lai et al.
5,885,073	A	3/1999	Kussick	7,151,541	B2	12/2006	Seder
5,885,074	A	3/1999	Hanson	7,153,130	B2	12/2006	Christoff
5,890,891	A	4/1999	Doyle	7,210,927	B2	5/2007	Abels et al.
5,908,293	A	6/1999	Voudouris	7,234,935	B2	6/2007	Abels et al.
5,915,550	A	6/1999	Gartz	7,247,018	B2	7/2007	Freeman et al.
6,012,920	A	1/2000	Woo	7,258,545	B2	8/2007	Hotta
6,036,489	A	3/2000	Brosius	7,267,545	B2	9/2007	Oda
6,053,458	A	4/2000	Meyer	7,306,458	B1	12/2007	Lu
6,053,729	A	4/2000	Brehm et al.	7,416,408	B2	8/2008	Farzin-Nia et al.
6,053,759	A	4/2000	Kunert et al.	7,442,039	B2	10/2008	Opin et al.
6,071,119	A	6/2000	Christoff et al.	7,578,672	B2	8/2009	Sheikh et al.
6,086,364	A	7/2000	Brunson	7,621,743	B2	11/2009	Bathen et al.
6,109,916	A	8/2000	Wilcko et al.	7,695,277	B1	4/2010	Stevens
6,123,544	A	9/2000	Cleary	7,704,072	B2	4/2010	Damon
6,126,441	A	10/2000	Tenti	7,780,443	B2	8/2010	Hagelganz
6,142,775	A	11/2000	Hansen et al.	7,811,087	B2	10/2010	Wiechmann et al.
6,162,051	A	12/2000	Brehm et al.	7,850,451	B2	12/2010	Wiechmann et al.
6,190,165	B1	2/2001	Andreiko et al.	7,909,603	B2	3/2011	Oda
6,193,508	B1	2/2001	Georgakis	7,959,437	B2	6/2011	Zakhem
6,206,690	B1	3/2001	Vargas	7,963,768	B2	6/2011	Hilliard
6,217,322	B1	4/2001	Kesling	8,251,697	B2	8/2012	Smith et al.
6,220,857	B1	4/2001	Abels	8,376,739	B2	2/2013	Dupray et al.
6,227,849	B1	5/2001	Brehm et al.	8,485,816	B2	7/2013	Macchi
6,234,792	B1	5/2001	DeVincenzo	8,573,971	B2	11/2013	Stevens
6,264,469	B1	7/2001	Moschik	8,585,399	B2	11/2013	Smith et al.
6,276,930	B1	8/2001	Pozzi	8,678,818	B2	3/2014	Dupray et al.
6,280,185	B1	8/2001	Palmer et al.	8,807,997	B2	8/2014	Smith et al.
6,302,688	B1	10/2001	Jordan et al.	8,961,172	B2	2/2015	Dupray et al.
6,347,939	B2	2/2002	Abels	8,979,528	B2	3/2015	Macchi et al.
6,358,043	B1	3/2002	Mottate et al.	9,144,473	B2	9/2015	Aldo
6,358,046	B1	3/2002	Brehm et al.	RE45,904	E	3/2016	Rudman
6,361,314	B1	3/2002	Garton, Jr.	9,345,553	B2	5/2016	Andreiko et al.
6,361,315	B1	3/2002	Hanks	9,554,875	B2	1/2017	Gualano
6,361,317	B1	3/2002	Rahman	9,561,089	B2	2/2017	Smith et al.
6,368,105	B1	4/2002	Voudouris et al.	9,597,166	B2	3/2017	Upchurch, Jr. et al.
6,371,760	B1	4/2002	Zavilenski et al.	D794,804	S *	8/2017	Buddemeyer ..... D24/180
6,394,798	B1	5/2002	Huff et al.	9,867,678	B2	1/2018	Macchi
6,428,314	B1	8/2002	Jones, Jr. et al.	2001/0036615	A1	11/2001	Binder
6,461,157	B1	10/2002	Kussick	2002/0025502	A1	2/2002	Williams
6,478,579	B1	11/2002	Brusse	2002/0031741	A1	3/2002	Williams
6,491,519	B1	12/2002	Clark et al.	2002/0110778	A1	8/2002	Abels et al.
6,506,049	B2	1/2003	Hanson	2002/0187452	A1	12/2002	Abels et al.
6,582,226	B2	6/2003	Jordan et al.	2003/0049582	A1	3/2003	Abels et al.
6,592,366	B2	7/2003	Triaca et al.	2003/0064344	A1	4/2003	Vazquez
6,607,383	B2	8/2003	Abels et al.	2003/0088261	A1	5/2003	Schraga
6,616,445	B2	9/2003	Abels et al.	2003/0096209	A1	5/2003	Sugiyama et al.
				2003/0143509	A1	7/2003	Kopelman et al.
				2003/0180678	A1	9/2003	Kesling et al.
				2003/0207226	A1	11/2003	Forster
				2004/0029068	A1	2/2004	Sachdeva et al.

(56)

References Cited

U.S. PATENT DOCUMENTS

2004/0110109 A1 6/2004 Forster  
 2004/0244149 A1 12/2004 Anscher  
 2004/0259048 A1 12/2004 Balabanovsky  
 2005/0069833 A1 3/2005 Chikami  
 2005/0244777 A1 11/2005 Schultz  
 2006/0014116 A1 1/2006 Maijer et al.  
 2006/0040229 A1 2/2006 Sevinc  
 2006/0046224 A1 3/2006 Sondhi et al.  
 2006/0063123 A1 3/2006 Cleary et al.  
 2006/0099544 A1 5/2006 Lai et al.  
 2006/0099545 A1 5/2006 Lai et al.  
 2006/0166158 A1 7/2006 Abels et al.  
 2006/0172251 A1 8/2006 Voudouris  
 2006/0199137 A1 9/2006 Abels et al.  
 2006/0228662 A1 10/2006 Lokar et al.  
 2006/0228664 A1 10/2006 Castner et al.  
 2006/0234180 A1 10/2006 Hüge et al.  
 2006/0246392 A1 11/2006 Vigolo  
 2006/0252002 A1 11/2006 Hanson  
 2006/0257810 A1 11/2006 Maijer et al.  
 2006/0263737 A1 11/2006 Oda  
 2006/0269889 A1 11/2006 Voudouris  
 2007/0009849 A1 1/2007 Wool  
 2007/0020577 A1 1/2007 Corcoran et al.  
 2007/0054231 A1 3/2007 Manemann et al.  
 2007/0092849 A1 4/2007 Cosse  
 2007/0166658 A1 7/2007 Voudouris  
 2007/0172112 A1 7/2007 Paley et al.  
 2007/0207436 A1 9/2007 Tan et al.  
 2007/0224569 A1 9/2007 Oda  
 2007/0243497 A1 10/2007 Voudouris  
 2007/0248926 A1 10/2007 Lai et al.  
 2007/0256694 A1 11/2007 Kussick  
 2007/0259301 A1 11/2007 Hagalganz et al.  
 2007/0264606 A1 11/2007 Muha  
 2007/0281269 A1 12/2007 Forster  
 2008/0014544 A1 1/2008 Nucera  
 2008/0128297 A1 6/2008 Rose  
 2008/0131831 A1 6/2008 Abels et al.  
 2008/0138759 A1 6/2008 Kravitz et al.  
 2008/0160474 A1 7/2008 Wolf et al.  
 2008/0176185 A1 7/2008 Williams  
 2008/0182219 A1 7/2008 Spalty  
 2008/0223377 A1 9/2008 Kussick  
 2008/0227047 A1 9/2008 Lowe et al.  
 2008/0268398 A1 10/2008 Cantarella  
 2009/0004617 A1 1/2009 Oda et al.  
 2009/0004618 A1 1/2009 Oda et al.  
 2009/0004619 A1 1/2009 Oda et al.  
 2009/0042160 A1 2/2009 Ofir  
 2009/0162807 A1 6/2009 Hagalganz et al.  
 2009/0220907 A1 9/2009 Suyama  
 2009/0291404 A1 11/2009 Oda  
 2009/0325118 A1 12/2009 Lewis et al.  
 2010/0003632 A1 1/2010 Ruiz Diaz et al.  
 2010/0062387 A1 3/2010 Hilliard  
 2010/0129765 A1 5/2010 Mohr et al.  
 2010/0159411 A1 6/2010 Oda  
 2010/0178629 A1 7/2010 Oda et al.  
 2010/0196840 A1 8/2010 Lai et al.  
 2010/0203463 A1 8/2010 Huff  
 2010/0261131 A1 10/2010 Ruiz-Vela et al.  
 2010/0279247 A1 11/2010 Kesling  
 2010/0285420 A1 11/2010 Oda  
 2010/0285421 A1 11/2010 Heiser  
 2010/0304321 A1 12/2010 Patel  
 2011/0014583 A1 1/2011 Romano et al.  
 2011/0020762 A1 1/2011 Kanomi et al.  
 2011/0039224 A1 2/2011 Cosse  
 2011/0076633 A1 3/2011 Bryant  
 2011/0081622 A1 4/2011 Mashouf  
 2011/0086322 A1 4/2011 Baron et al.  
 2011/0123942 A1 5/2011 Rudman et al.

2011/0165532 A1 7/2011 Benvegnu' et al.  
 2011/0287378 A1 11/2011 Dupray et al.  
 2011/0311936 A1 12/2011 Marie-Catherine  
 2012/0070797 A1 3/2012 Edgren  
 2013/0177861 A1 7/2013 Hayes  
 2013/0280670 A1 10/2013 Edgren  
 2013/0309624 A1 11/2013 Smith et al.  
 2014/0057222 A1 2/2014 Kumar  
 2014/0067335 A1 3/2014 Andreiko  
 2014/0370454 A1 12/2014 Rudman  
 2015/0173858 A1 6/2015 Dupray et al.  
 2015/0182304 A1 7/2015 Gualano  
 2016/0175072 A1 6/2016 Andreiko et al.  
 2016/0256238 A1 9/2016 Andreiko et al.  
 2017/0000588 A1 1/2017 Alauddin et al.  
 2017/0112597 A1 4/2017 Smith et al.  
 2017/0128160 A1 5/2017 Gualano  
 2017/0202642 A1 7/2017 Upchurch et al.  
 2017/0296306 A1 10/2017 Edgren  
 2018/0206943 A1\* 7/2018 Buddemeyer ..... A61C 7/34

FOREIGN PATENT DOCUMENTS

DE	102005016736	10/2006
EP	0317098	5/1989
EP	0379668	8/1990
EP	0389223	9/1990
EP	0397533	11/1990
EP	0588961	3/1994
EP	0624354	11/1994
EP	0875211	11/1998
EP	1332727	8/2003
EP	1359859	11/2003
ES	2130174	7/1999
FR	2497657	7/1982
FR	2887135	12/2006
JP	S60-113016	7/1985
JP	S64-25847	1/1989
JP	H01-160547	6/1989
JP	H02-147112	12/1990
JP	H03-21236	1/1991
JP	H06-507803	9/1994
JP	2579431	2/1997
JP	11-276504	10/1999
JP	2003-102749	4/2003
JP	2009-535160	10/2009
JP	U3155836	11/2009
WO	WO 91/07925	6/1991
WO	WO 92/00041	1/1992
WO	WO 92/20296	11/1992
WO	WO 04/039276	5/2004
WO	WO 2009/024118	2/2009

OTHER PUBLICATIONS

U.S. Appl. No. 11/123,470, Wilson.  
 U.S. Appl. No. 13/199,828, Rudman et al.  
 U.S. Appl. No. 13/506,513, Rudman et al.  
 U.S. Appl. No. 15/048,519, Rudman.  
 3M Unitek Corporation Catalog, 1990, pp. 1-1, 1-3, 3-7, Figs. A, B.  
 "Buccal Tube," Sankin, printed Apr. 1, 2004, 7 pages.  
 "Direct Bond Tubes," American Orthodontics, New Products Catalog, 2005, p. 76.  
 "Focus on Brackets," Orthodontic Products, Mar. 2005, pp. 1-2.  
 Ortho Organizers, Inc. Advertisement, "Journal of Clinical Orthodontics," Sep. 1989, 3 pages.  
 Victory Series Appliance System, Mastering the Art of Orthodontic Application, 3M Unitek Dental Products Division, 1998, 4 pages.  
 Epstein, "Bi-Dimensional Orthos Treatment: Benefits and Rationale of Differential Bracket-Slot Sizes," Clinical Impressions, 1998, vol. 7(3), 6 pages.  
 Ricketts, "Provocations and Perceptions in Cranio-Facial Orthopedics," RMO, Inc., Denver, CO, USA, 1989, cover and pp. 982-1021.

\* cited by examiner

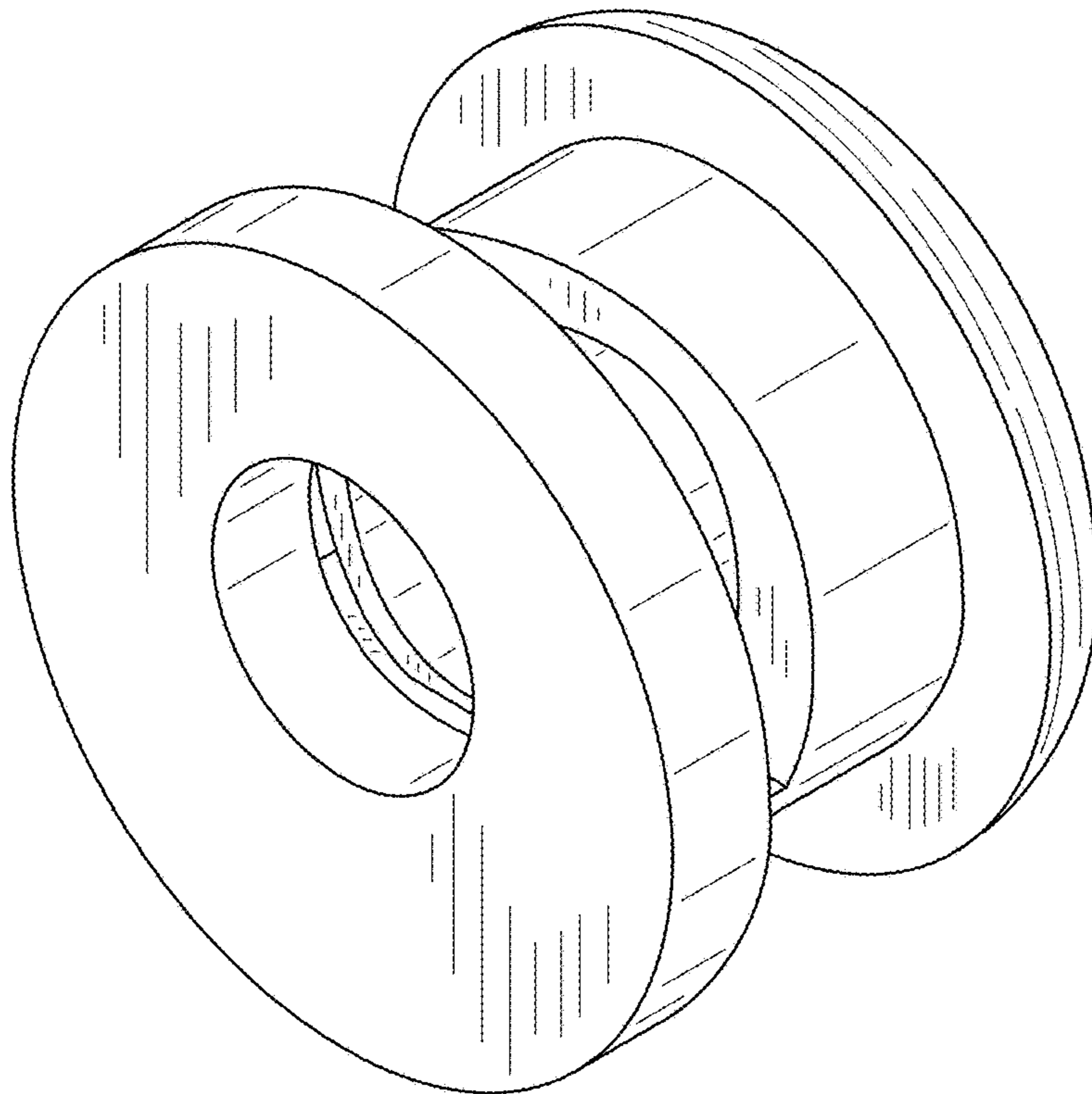


FIG.1

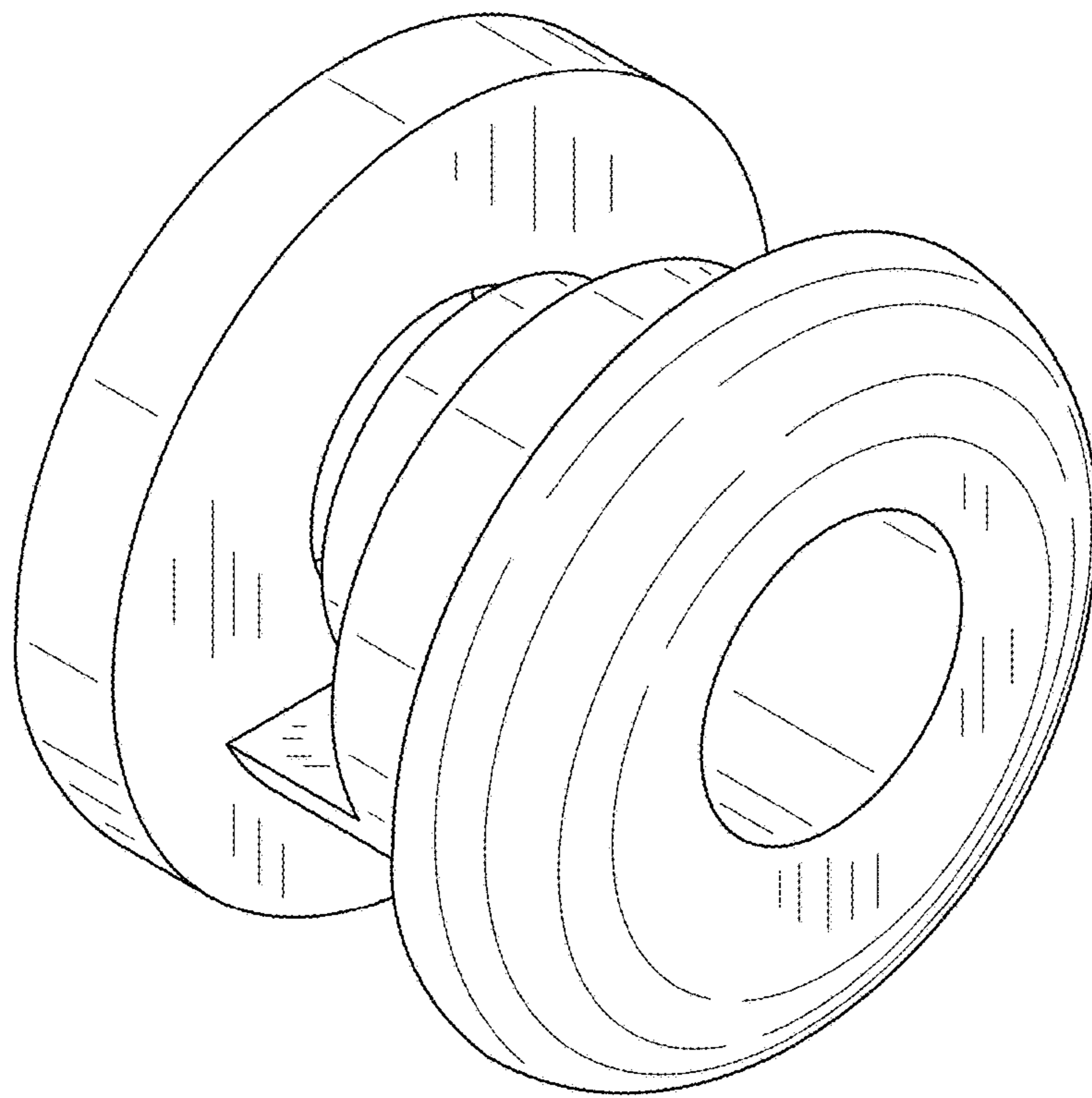


FIG.2

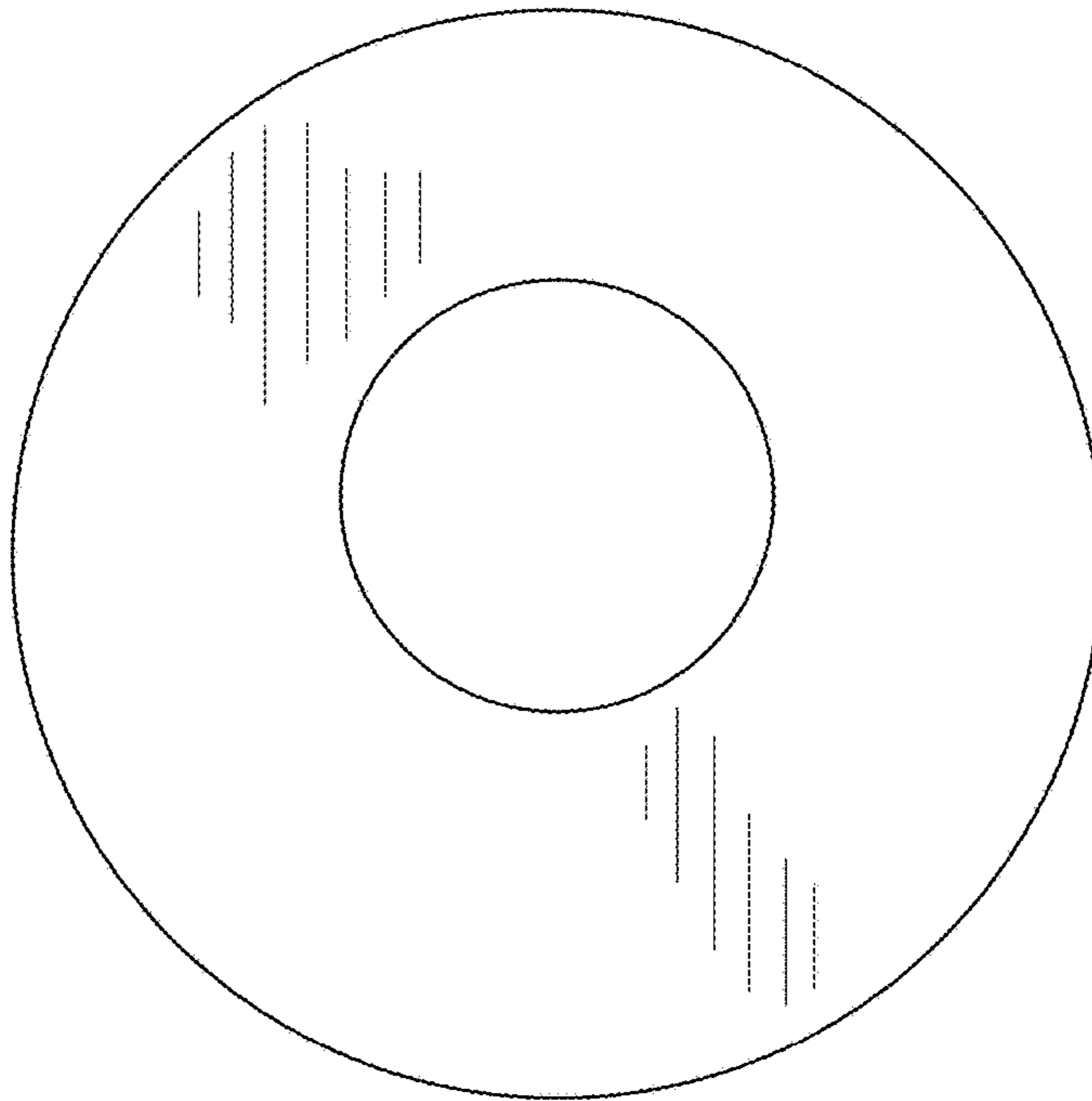


FIG.3

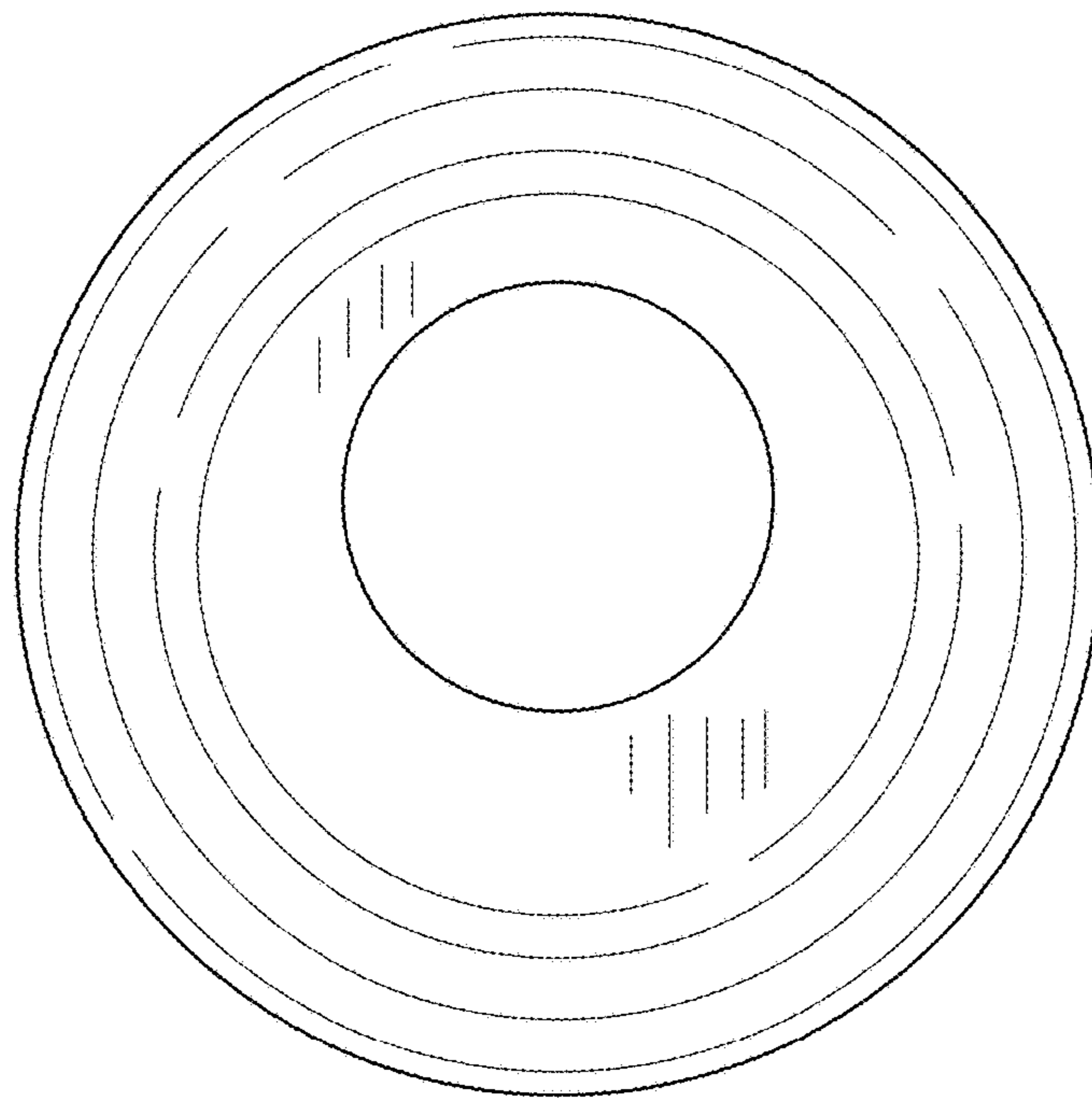


FIG.4



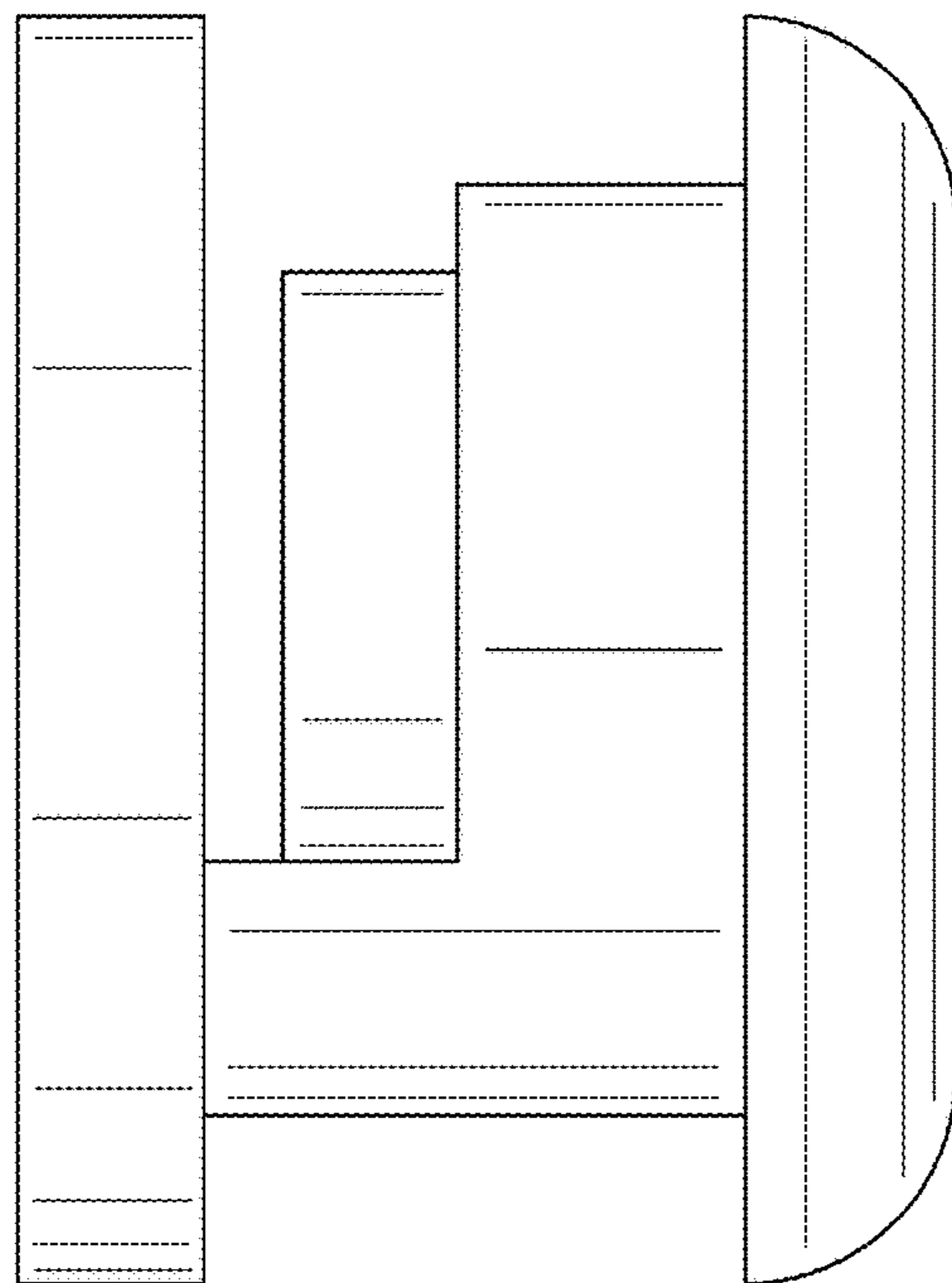


FIG.5

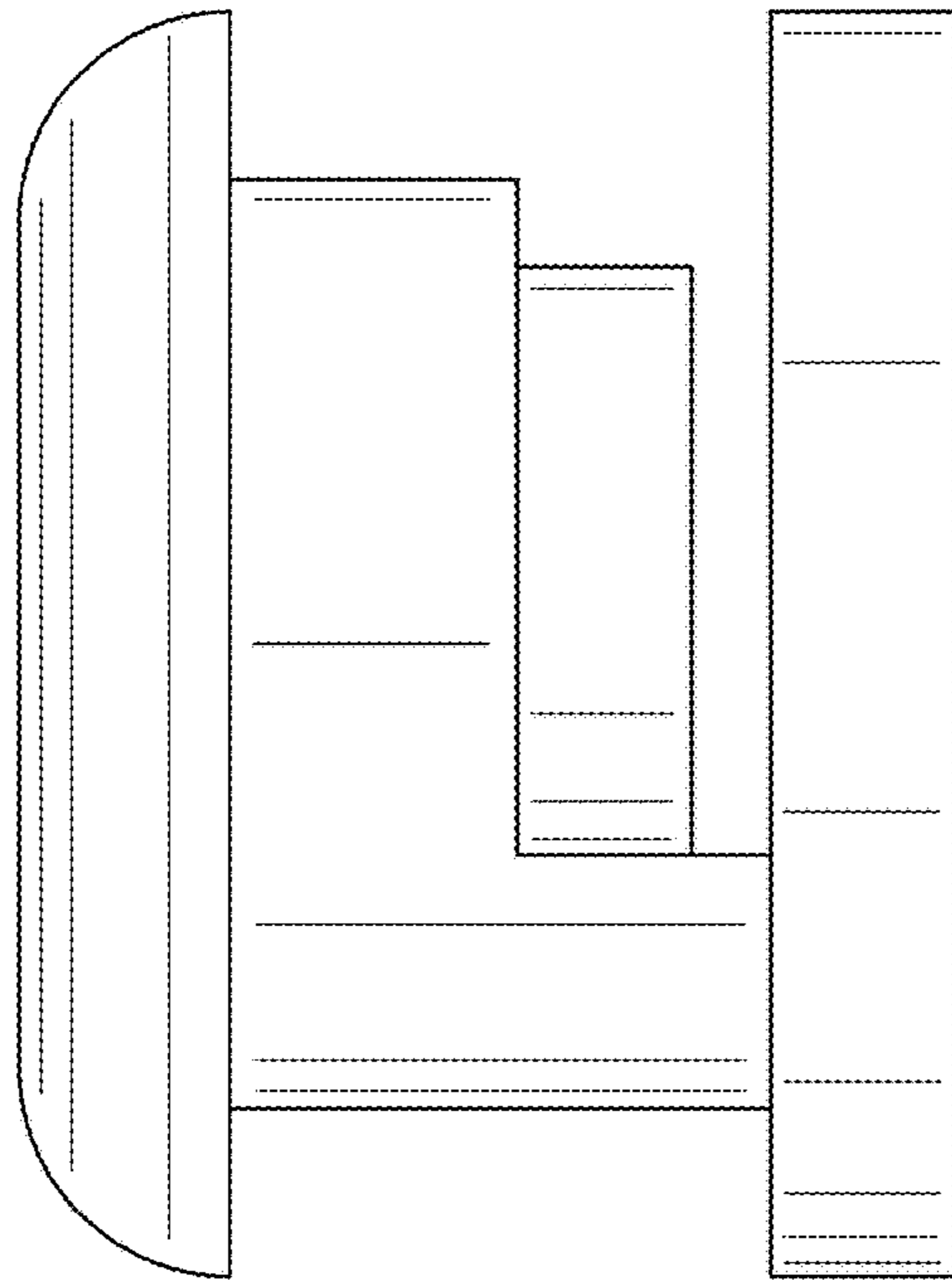


FIG.6

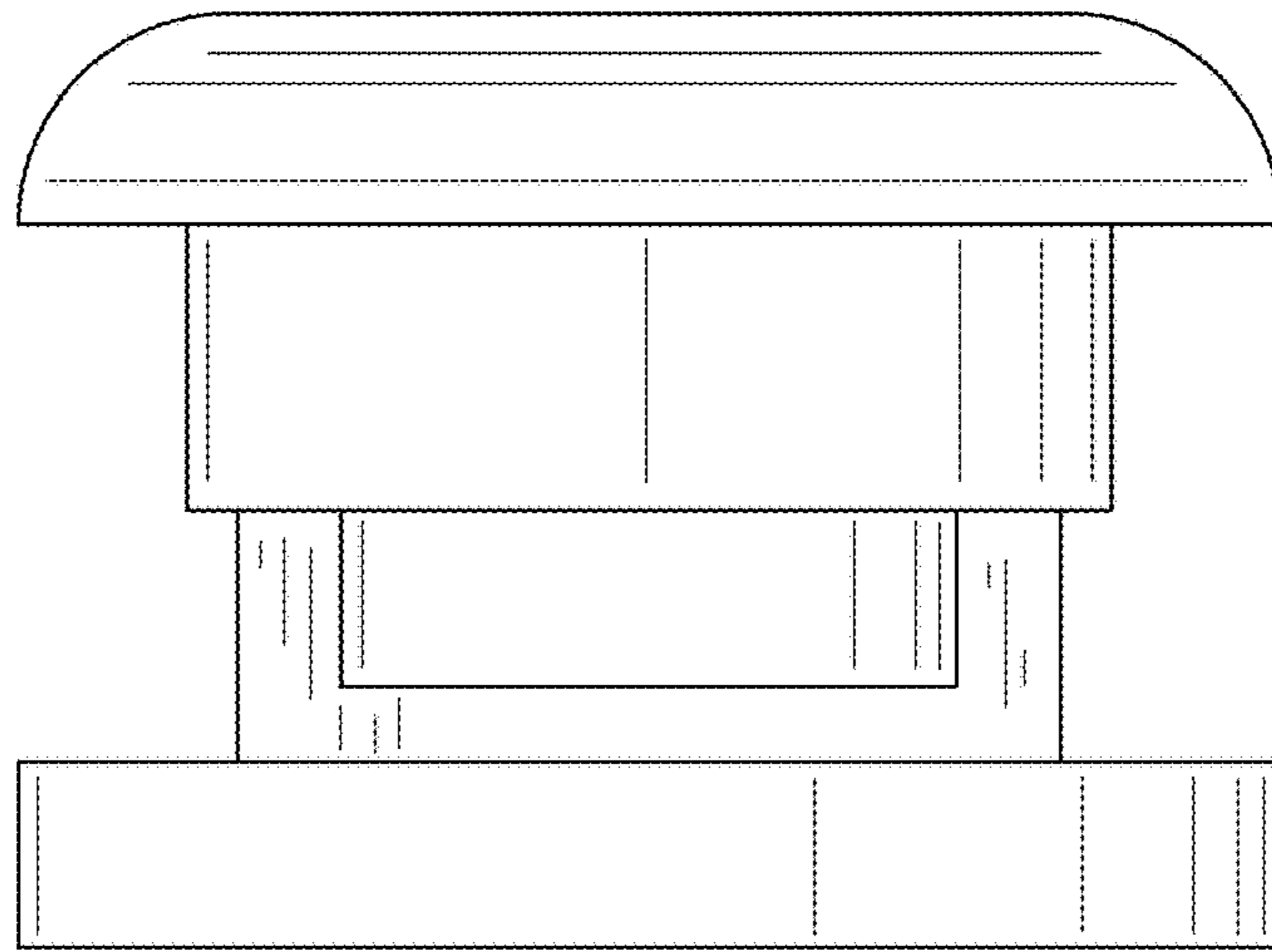


FIG.7

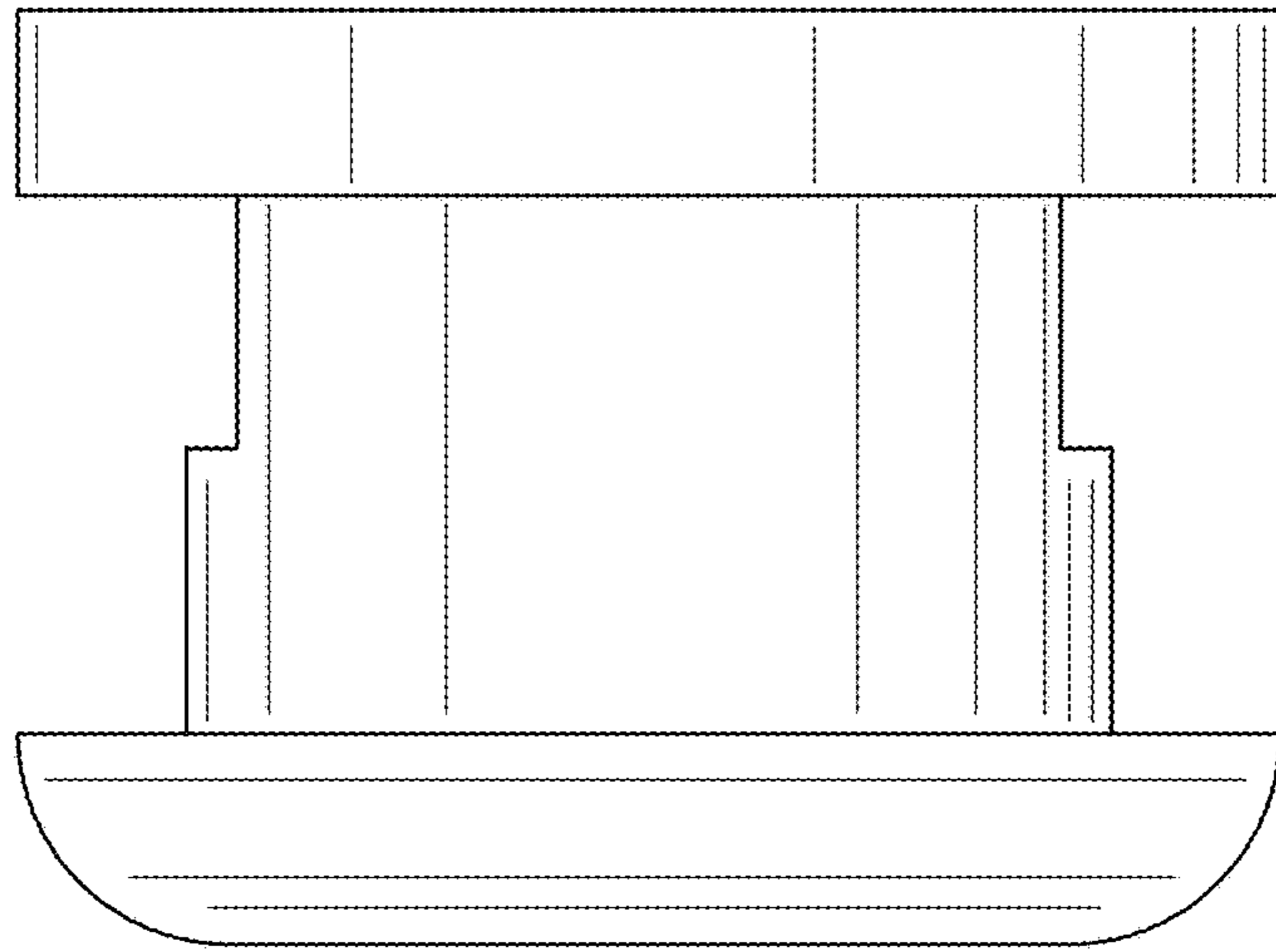


FIG.8