



US00D847347S

(12) **United States Design Patent**
Nielsen

(10) **Patent No.:** **US D847,347 S**

(45) **Date of Patent:** **** Apr. 30, 2019**

(54) **DENTAL APPLIANCE**

(71) Applicant: **HEKA DENTAL A/S, Ishøj (DK)**

(72) Inventor: **Thomas Steen Nielsen, Ishøj (DK)**

(73) Assignee: **HEKA DENTAL A/S, Ishøj (DK)**

(**) Term: **15 Years**

(21) Appl. No.: **29/636,816**

(22) Filed: **Feb. 12, 2018**

(30) **Foreign Application Priority Data**

Aug. 15, 2017 (EM) 004149151-0001

(51) **LOC (11) Cl.** **24-02**

(52) **U.S. Cl.**
USPC **D24/177**

(58) **Field of Classification Search**
USPC D24/176-177, 179; 433/77, 79, 97, 108
CPC A61G 15/14; A61G 15/10; A61G 15/16;
A61C 19/00
See application file for complete search history.

(56) **References Cited**

U.S. PATENT DOCUMENTS

4,427,382 A * 1/1984 Hoffmeister A61G 15/16
433/33
4,445,859 A * 5/1984 Hoffmeister A61G 15/16
433/77
D277,503 S * 2/1985 Truette D24/177
D498,847 S * 11/2004 Castellini D24/177
7,011,519 B2 * 3/2006 Castellini A61G 15/16
433/108

7,195,219 B2 * 3/2007 Irwin A61G 15/16
248/282.1
D555,245 S * 11/2007 Castellini D24/177
D583,951 S * 12/2008 Lewis D24/177
7,515,683 B2 * 4/2009 Nanni A61B 6/14
378/193
D607,109 S * 12/2009 Lewis D24/177
D657,060 S * 4/2012 Frenkler D24/177
2018/0000677 A1 * 1/2018 Nielsen A61G 15/14

FOREIGN PATENT DOCUMENTS

EM 001695826-0003 * 4/2010
EM 001343503-0001 * 9/2012
EM 002250514-0005 * 6/2013
EM 002306977-0001 * 9/2013
EM 000424007-0002 * 10/2015

* cited by examiner

Primary Examiner — Wan Laymon

(74) *Attorney, Agent, or Firm* — Nath, Goldberg & Meyer; Jerald L. Meyer

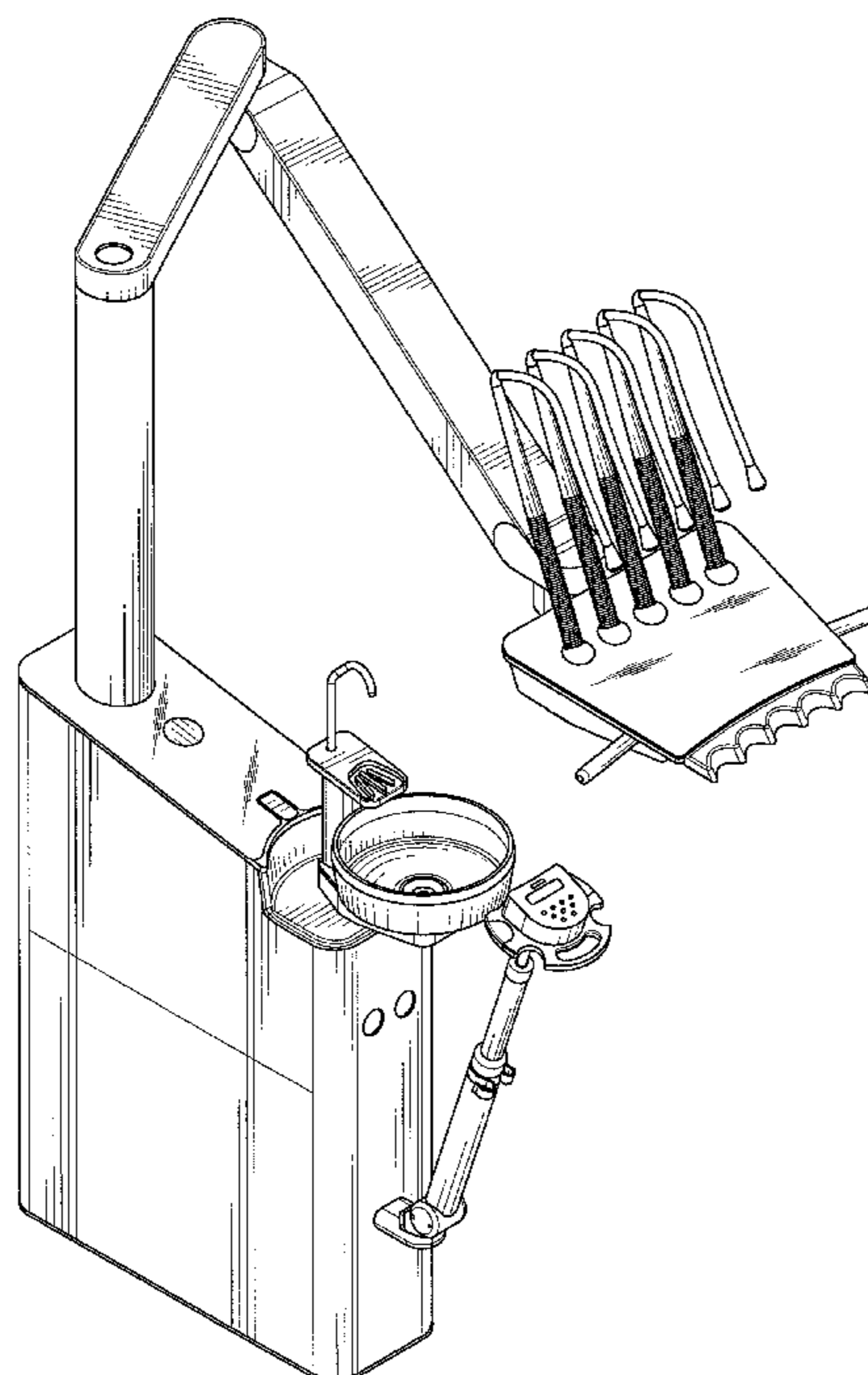
(57) **CLAIM**

The ornamental design for a dental appliance, as shown and described.

DESCRIPTION

FIG. 1 is a perspective view of a dental appliance;
FIG. 2 is a left view;
FIG. 3 is a right view;
FIG. 4 is a back view;
FIG. 5 is a front view; and,
FIG. 6 is a top view.

1 Claim, 6 Drawing Sheets



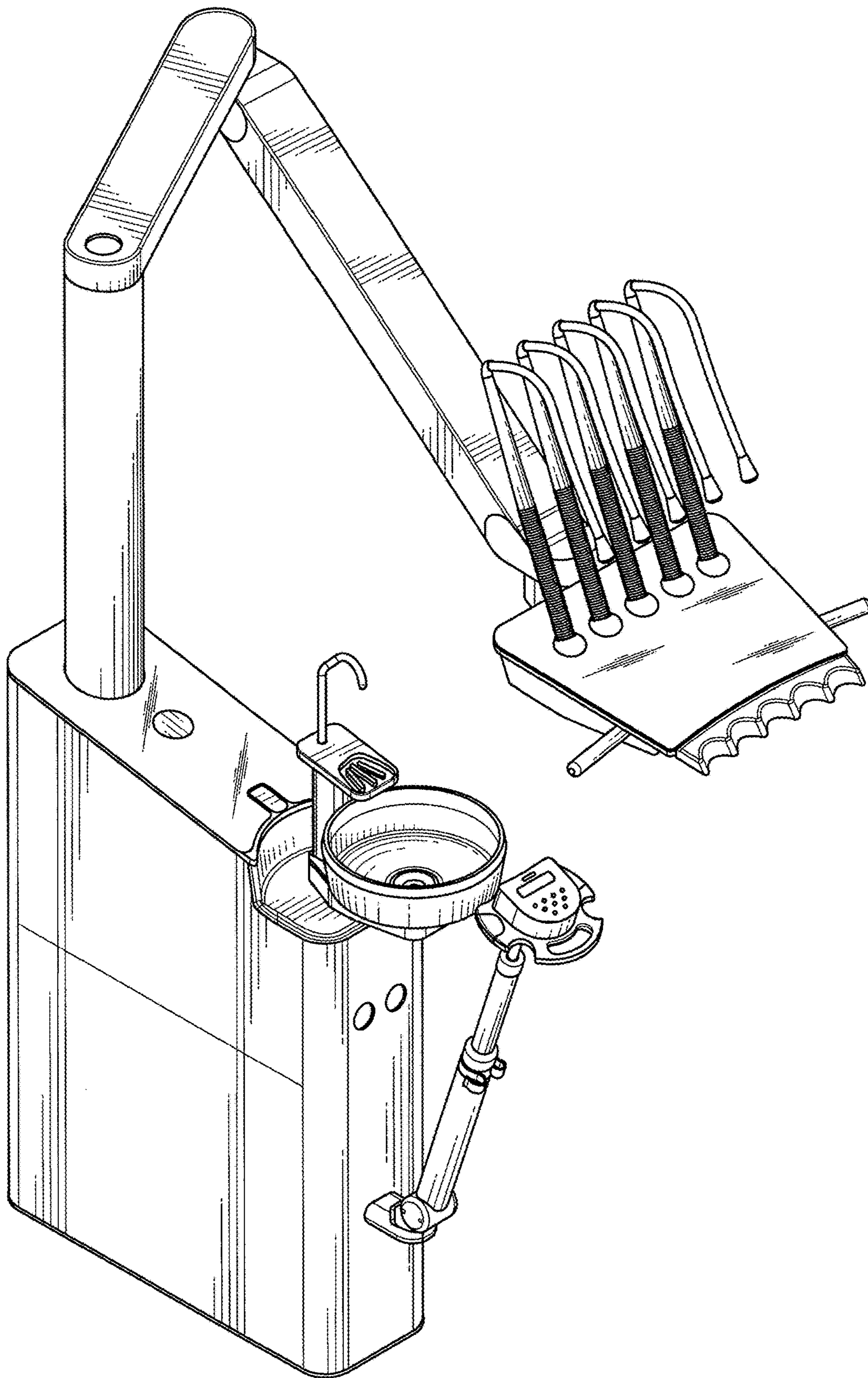


FIG. 1

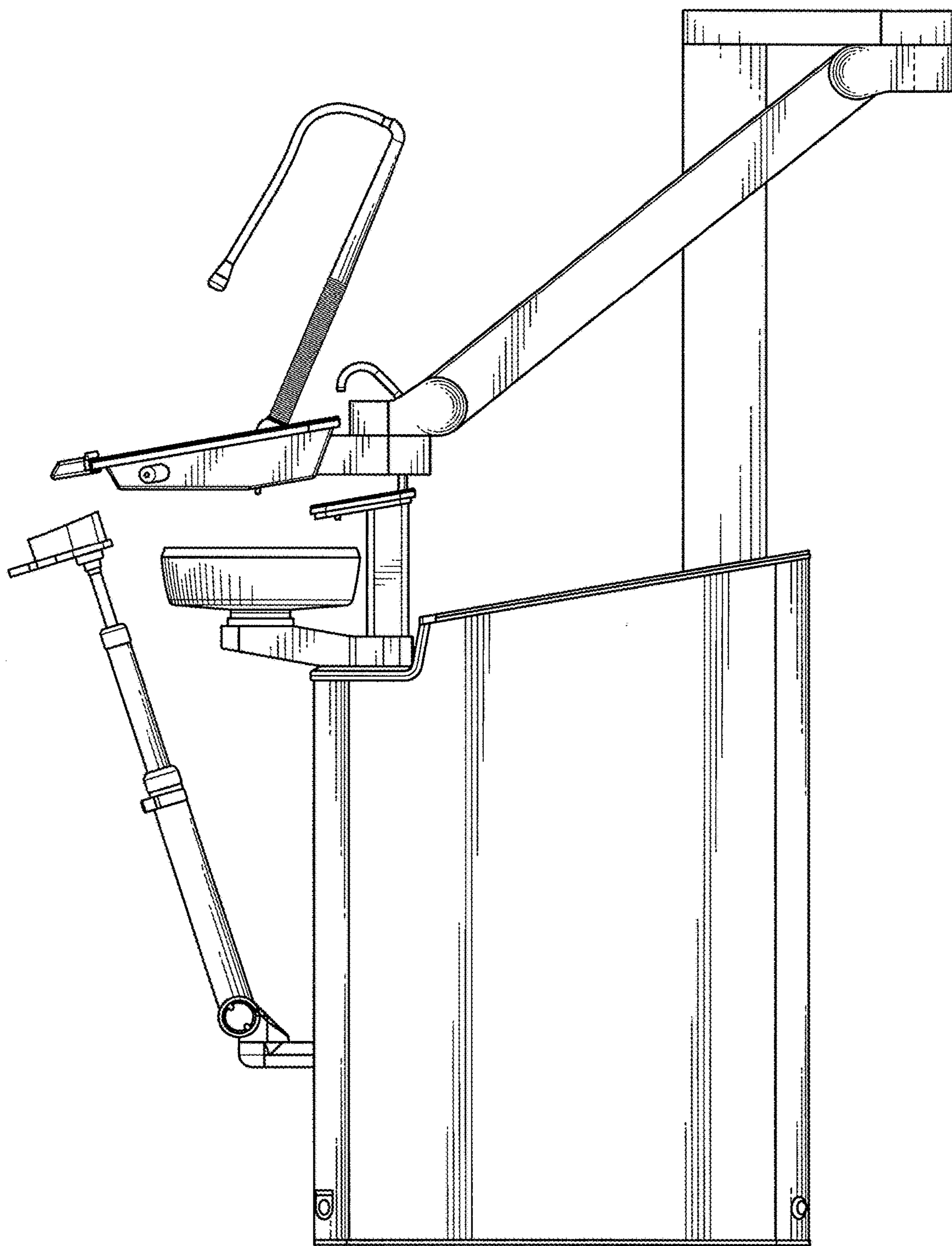


FIG. 2

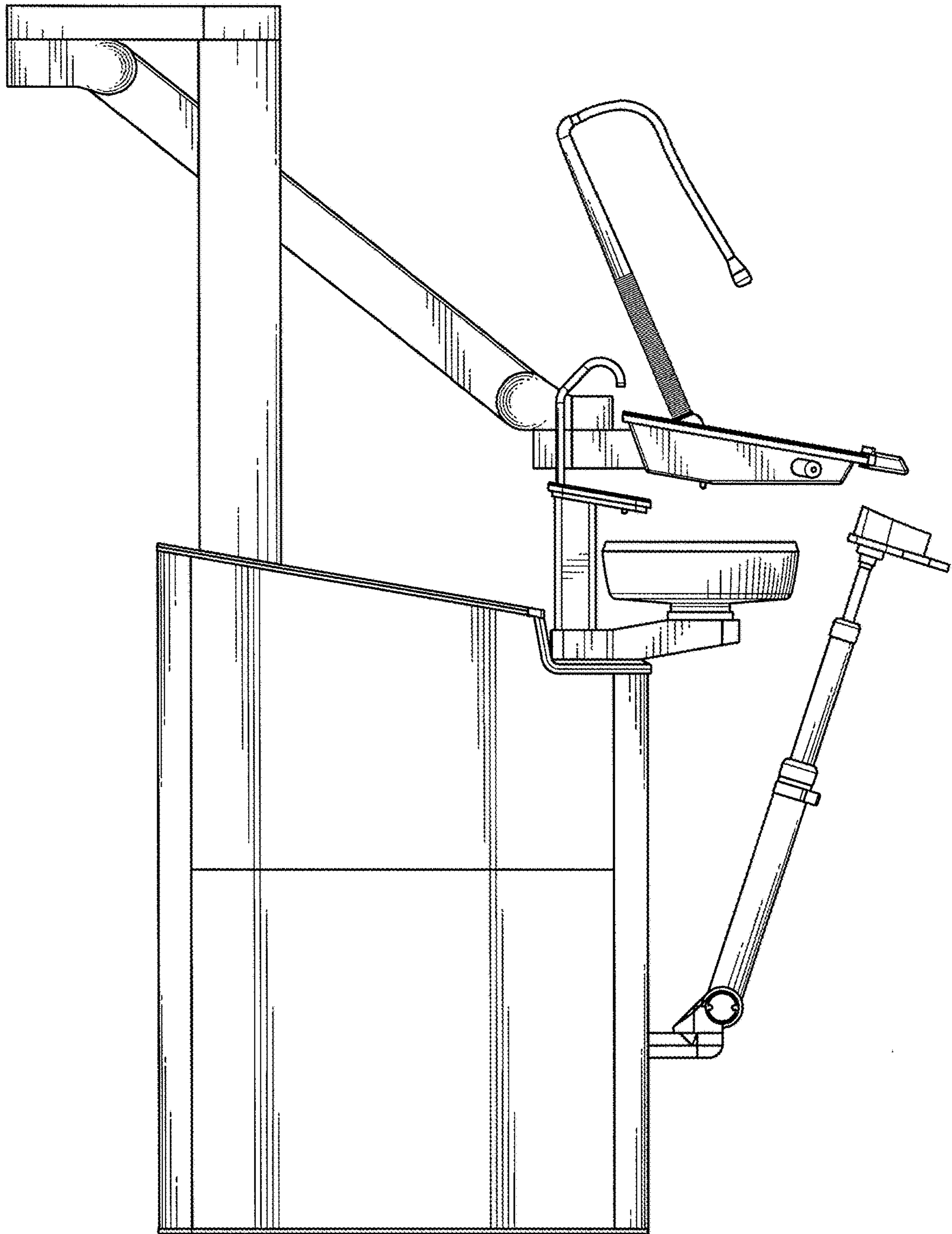


FIG. 3

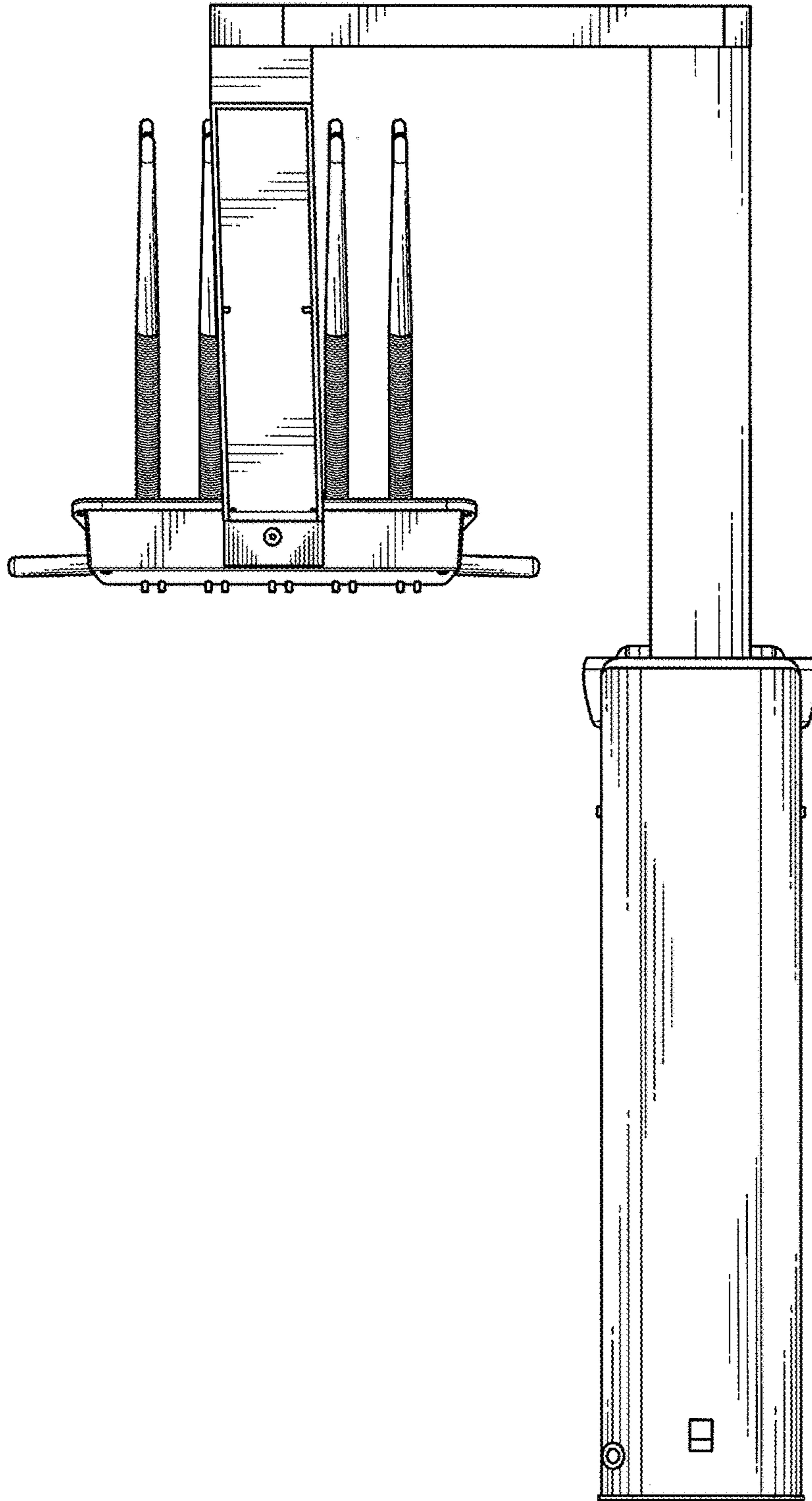


FIG. 4

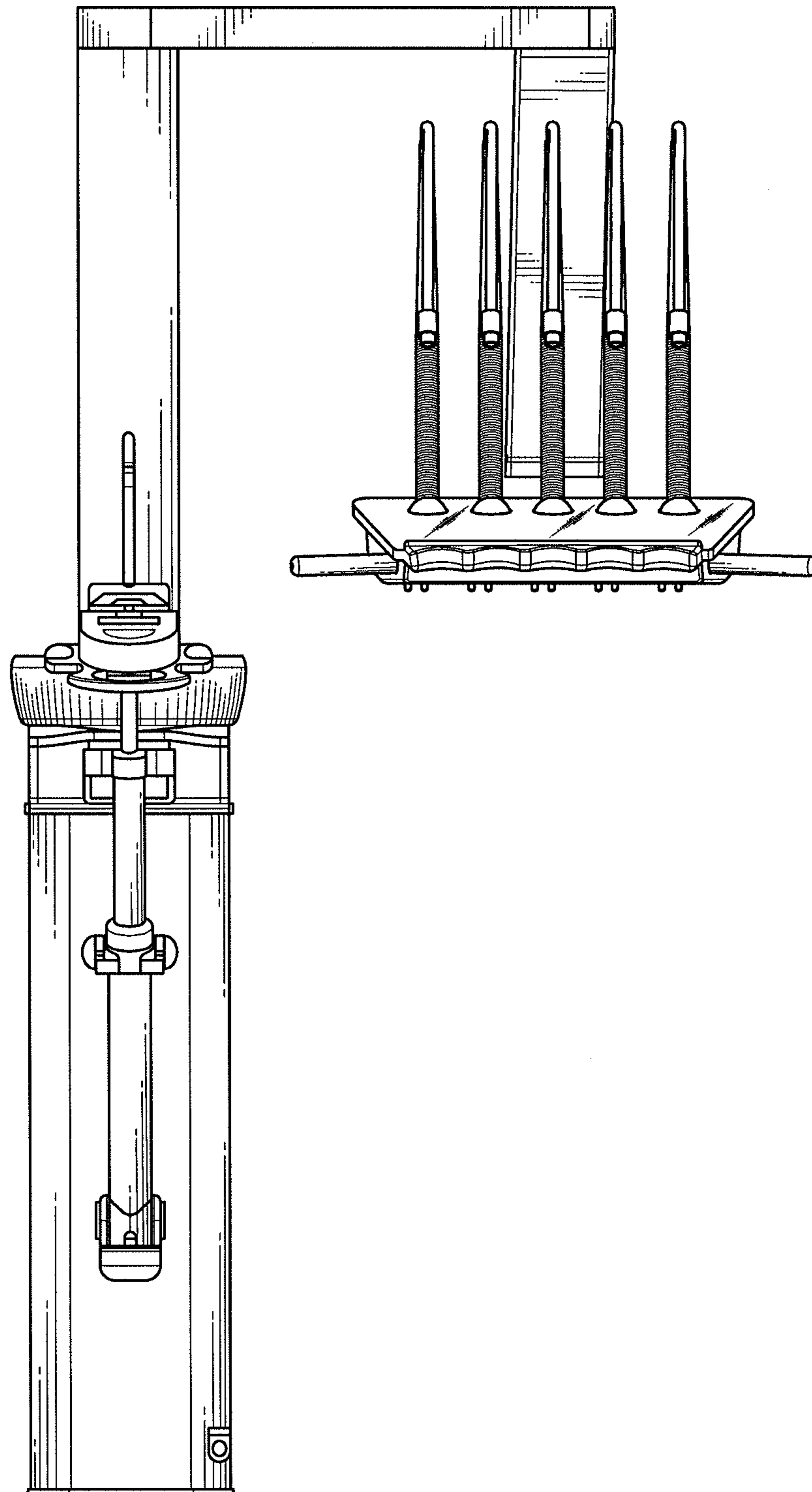


FIG. 5

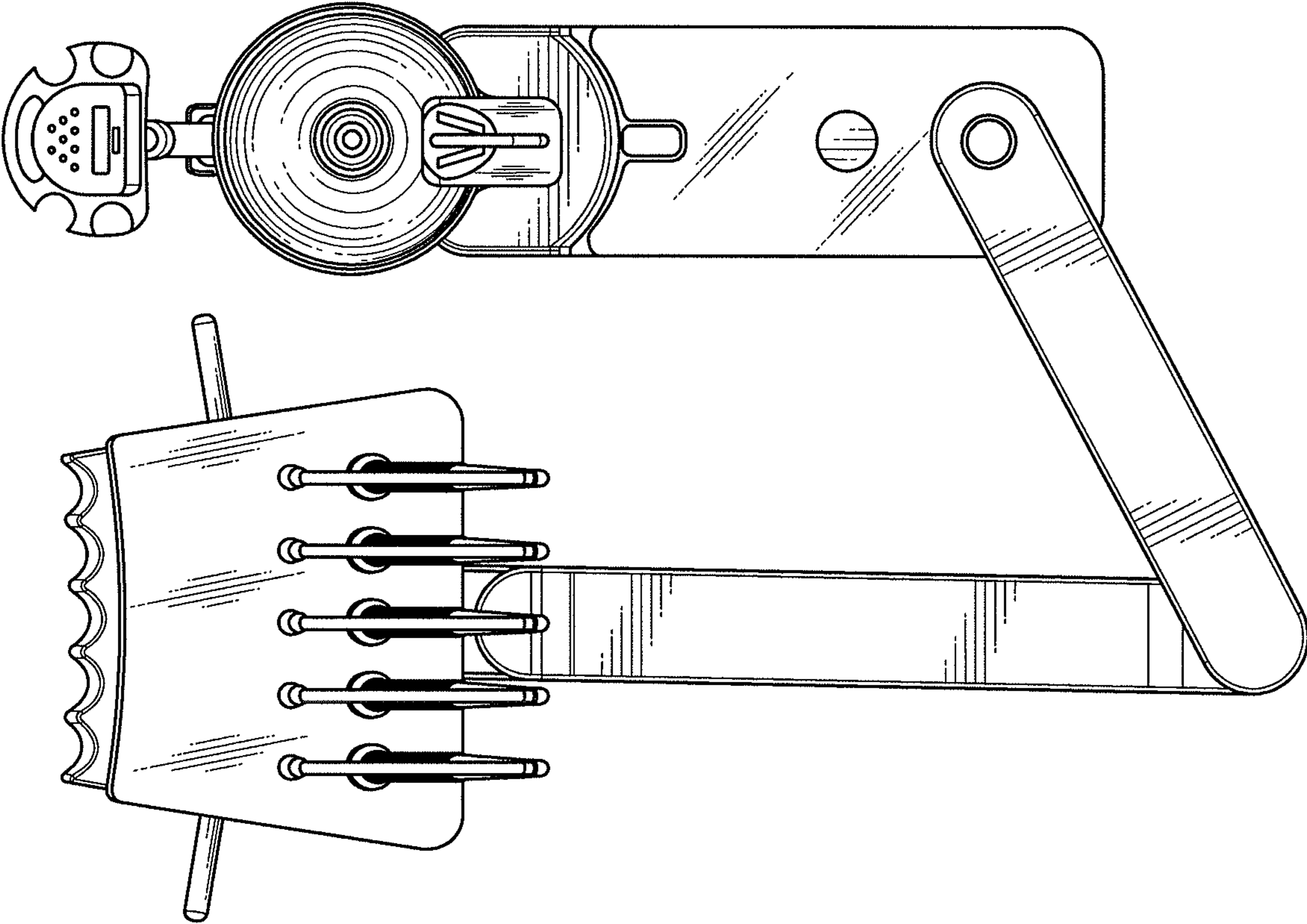


FIG. 6