

US00D847343S

(12) **United States Design Patent**
DaCosta et al.

(10) **Patent No.:** **US D847,343 S**
(45) **Date of Patent:** **** Apr. 30, 2019**

(54) **HOOK PLATE**

(71) Applicant: **PARAGON 28, INC.**, Englewood, CO (US)

(72) Inventors: **Albert DaCosta**, Lone Tree, CO (US);
Thomas G. Harris, Altadena, CA (US);
Patrick Yoon, Minneapolis, MN (US);
Spanky Raymond, Uniontown, OH (US);
Frank Barmes, Littleton, CO (US)

(73) Assignee: **Paragon 28, Inc.**, Englewood, CO (US)

(**) Term: **15 Years**

(21) Appl. No.: **29/624,637**

(22) Filed: **Nov. 2, 2017**

(51) **LOC (11) Cl.** **24-03**

(52) **U.S. Cl.**
USPC **D24/155**

(58) **Field of Classification Search**
USPC D24/155-157
CPC A61B 17/8061; A61B 17/7059; A61B 17/8052; A61B 17/8605; A61B 17/8085; A61B 17/809; A61B 17/8014; A61B 17/8033; A61B 17/8004; A61B 17/888; A61B 17/842; A61B 17/8023; A61B 17/8009; A61B 17/86; A61B 17/1739;
(Continued)

(56) **References Cited**

U.S. PATENT DOCUMENTS

3,824,995 A * 7/1974 Getscher A61B 17/74
606/281
6,338,734 B1 * 1/2002 Burke A61B 17/74
606/280

(Continued)

Primary Examiner — Charles D Hanson

(74) *Attorney, Agent, or Firm* — Heslin Rothenberg Farley & Mesiti P.C.

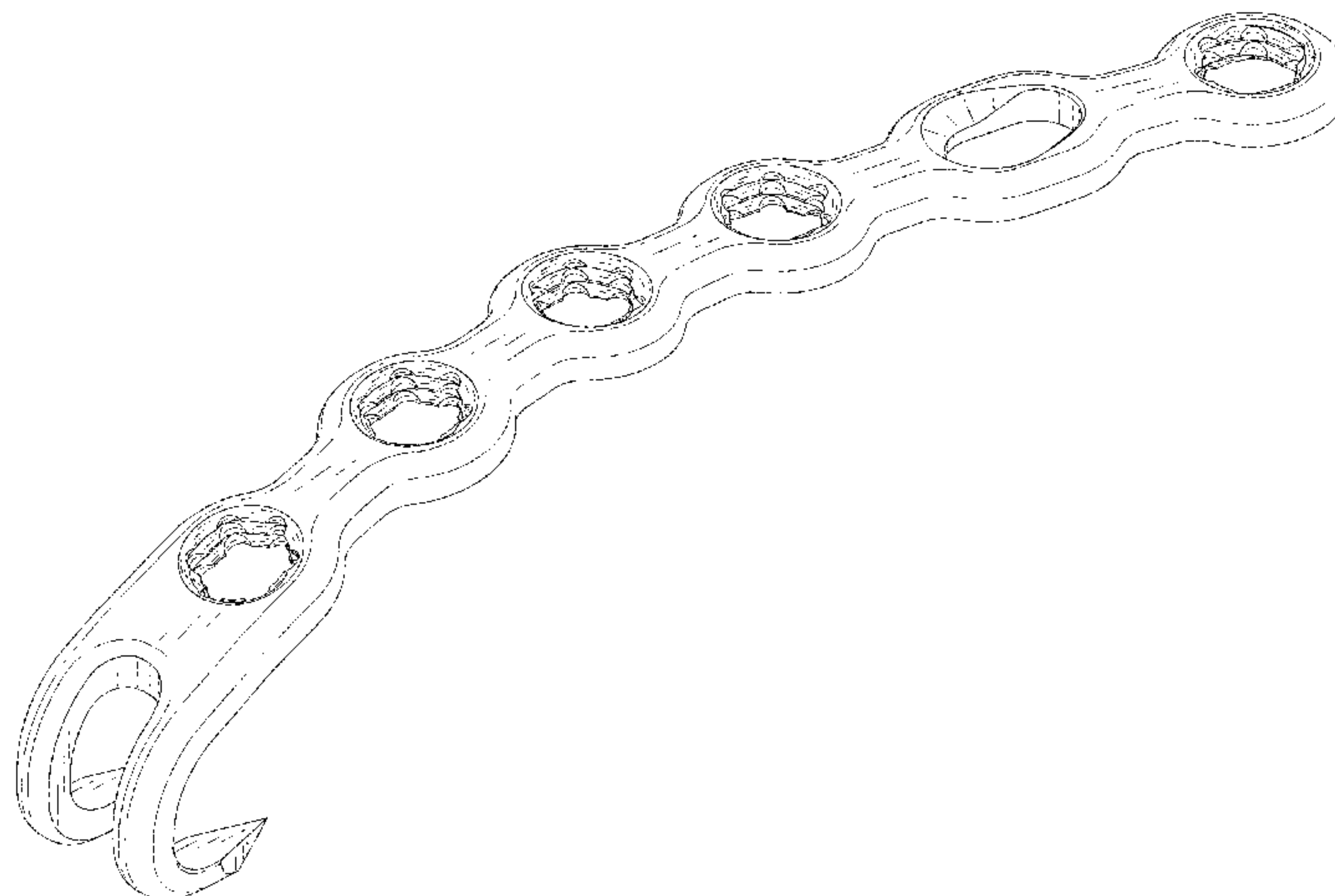
(57) **CLAIM**

The ornamental design for a hook plate, as shown and described.

DESCRIPTION

FIG. 1 is a front perspective view of the hook plate comprising the new design;
FIG. 2 is a bottom perspective view of the design of FIG. 1;
FIG. 3 is a top view of the design of FIG. 1;
FIG. 4 is a bottom view of the design of FIG. 1;
FIG. 5 is a right side elevational view of the design of FIG. 1;
FIG. 6 is a left side elevational view of the design of FIG. 1;
FIG. 7 is a front elevational view of the design of FIG. 1; and
FIG. 8 is a back elevational view of the design of FIG. 1.
FIG. 9 is a front perspective view of an alternative embodiment of the hook plate of FIG. 1;
FIG. 10 is a bottom perspective view of the design of FIG. 9;
FIG. 11 is a top view of the design of FIG. 9;
FIG. 12 is a bottom view of the design of FIG. 9;
FIG. 13 is a right side elevational view of the design of FIG. 9;
FIG. 14 is a left side elevational view of the design of FIG. 9;
FIG. 15 is a front elevational view of the design of FIG. 9; and,
FIG. 16 is a back elevational view of the design of FIG. 9.
The broken lines shown in the figures are directed to the environment and are for illustrative purposes only; the broken lines form no part of the claimed hook plate invention.
The relatively light uneven broken lines shown in the figures represent contour, not surface decoration.

1 Claim, 10 Drawing Sheets



(58) **Field of Classification Search**

CPC A61B 17/8066; A61B 17/1671; A61B
17/1757; A61B 17/8071; A61B 17/176;
A61B 2017/1782; A61B 2017/1775

See application file for complete search history.

(56) **References Cited**

U.S. PATENT DOCUMENTS

7,229,444 B2 * 6/2007 Boyd A61B 17/809
606/300
D587,370 S * 2/2009 Coillard-Lavirotte D24/155
D596,294 S * 7/2009 Coillard-Lavirotte D24/155
8,556,946 B2 * 10/2013 Prandi A61B 17/809
606/286
2005/0171544 A1 * 8/2005 Falkner, Jr. A61B 17/1728
606/281
2008/0114360 A1 * 5/2008 Da Frota Carrera .. A61B 17/80
606/280
2012/0271359 A1 * 10/2012 Stevenson A61B 17/7071
606/281
2013/0041375 A1 * 2/2013 Fierlbeck A61B 17/8061
606/71
2013/0053899 A1 * 2/2013 Bluechel A61B 17/8061
606/281
2018/0064547 A1 * 3/2018 Greiwe A61B 17/1684
2018/0256226 A1 * 9/2018 Govey A61B 17/8061

* cited by examiner

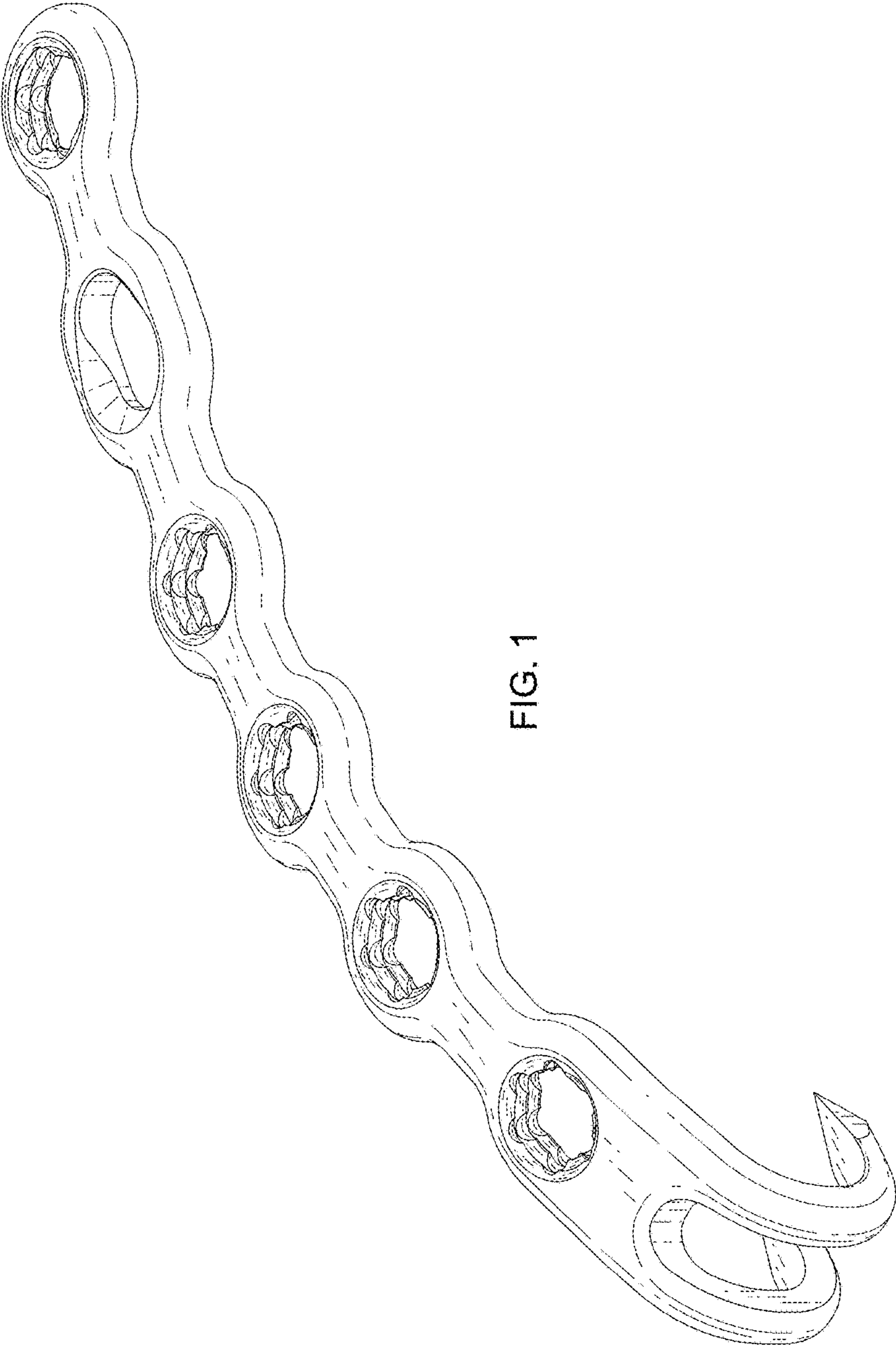


FIG. 1

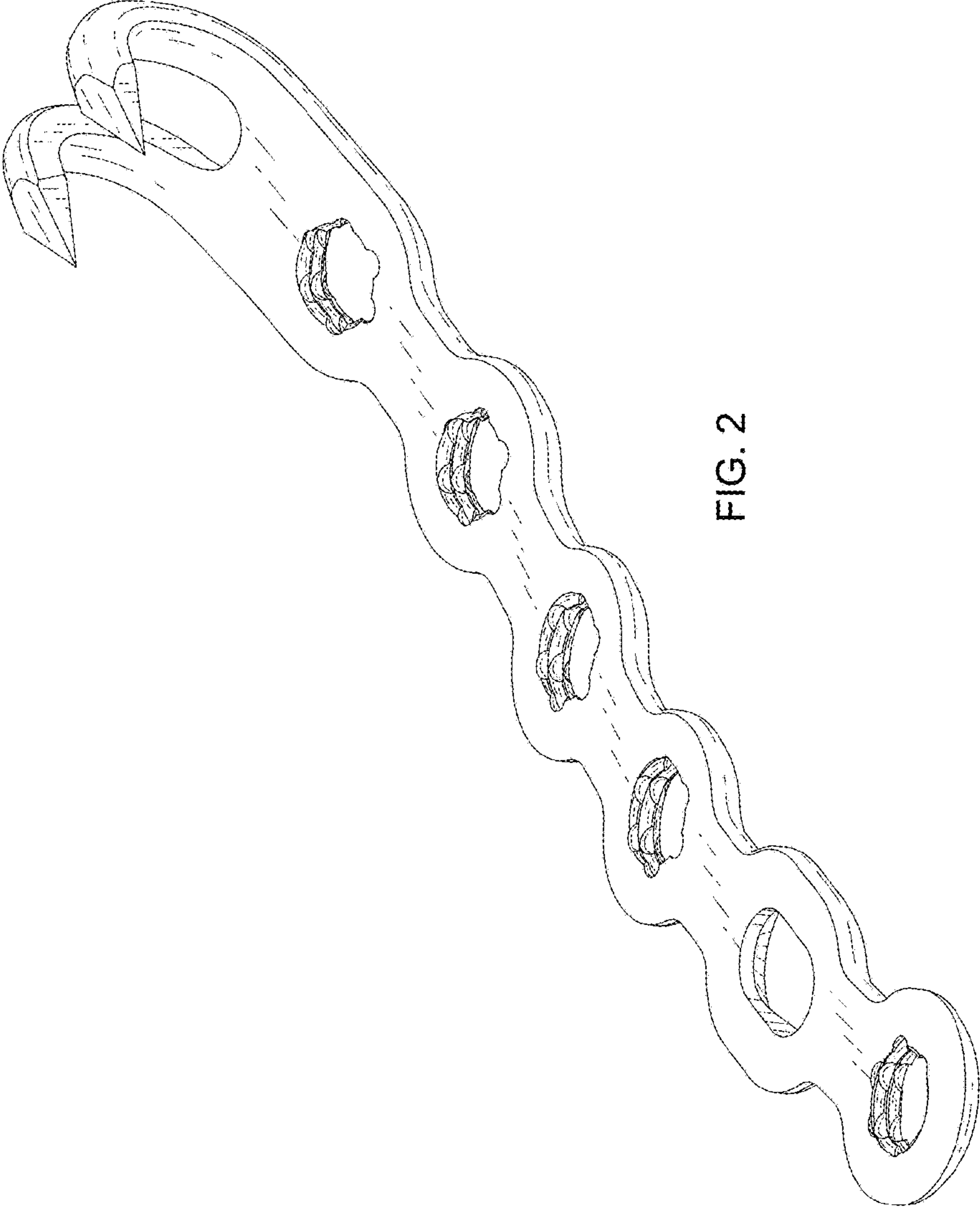


FIG. 2

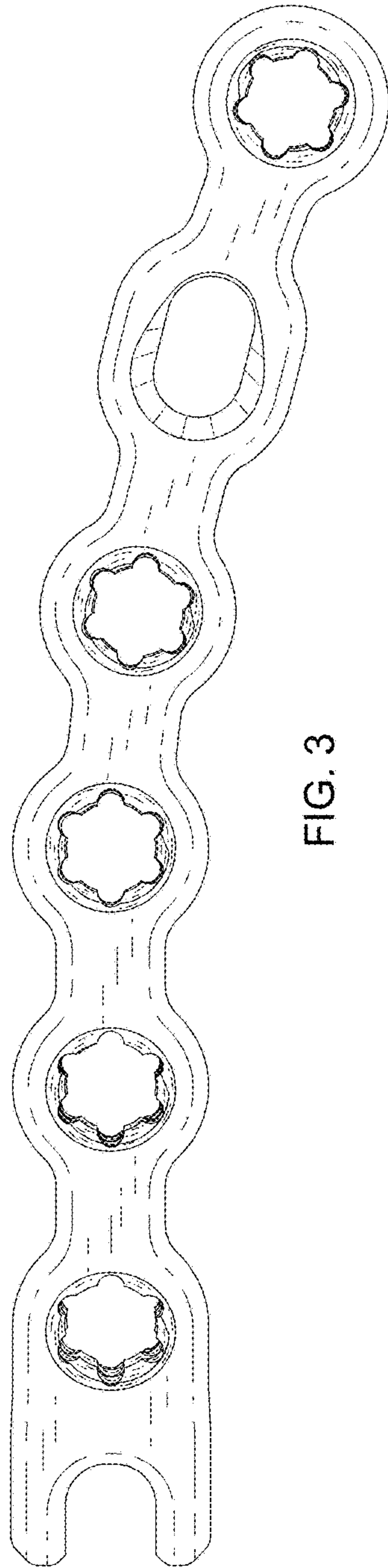


FIG. 3

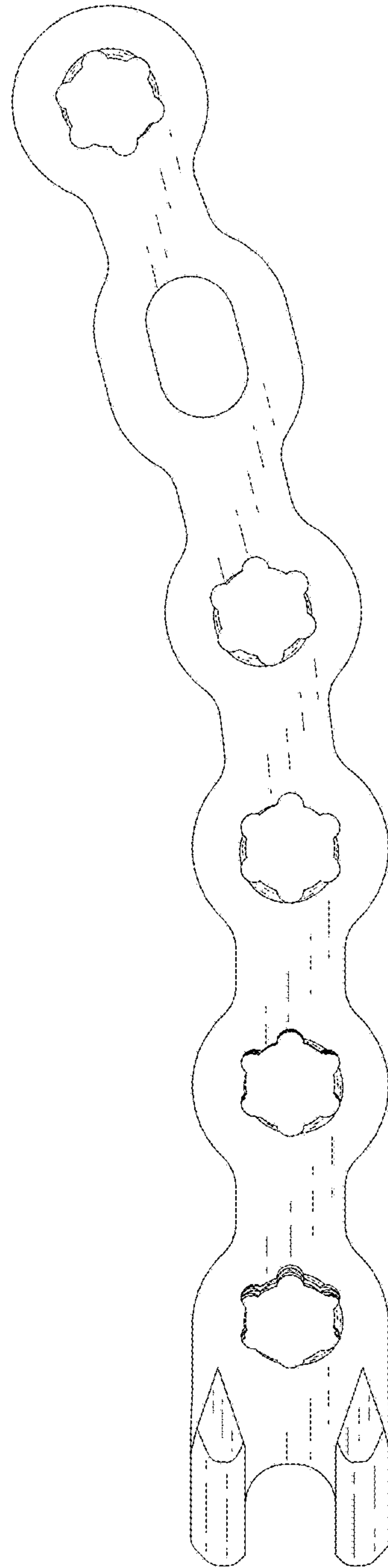


FIG. 4

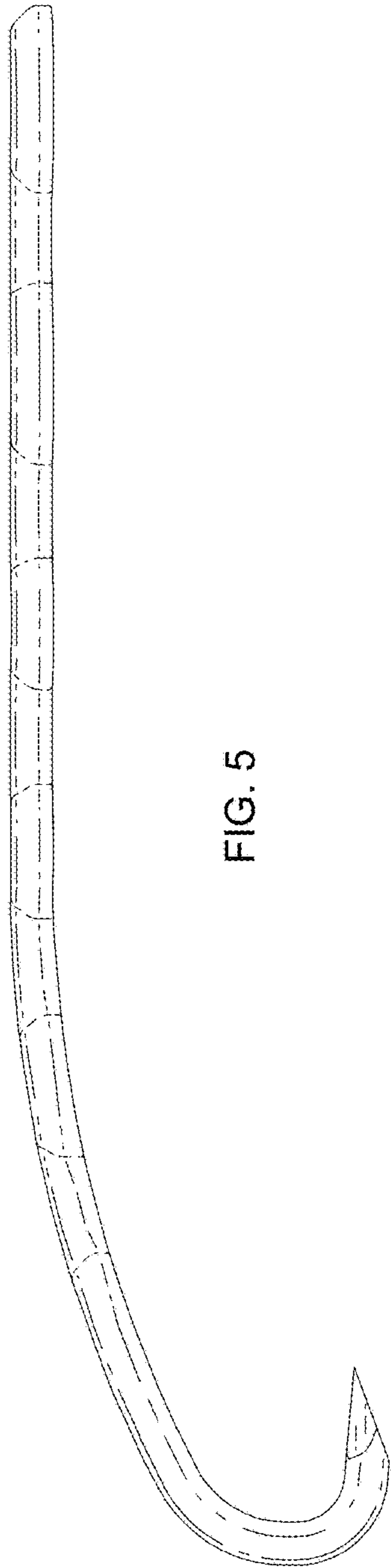


FIG. 5

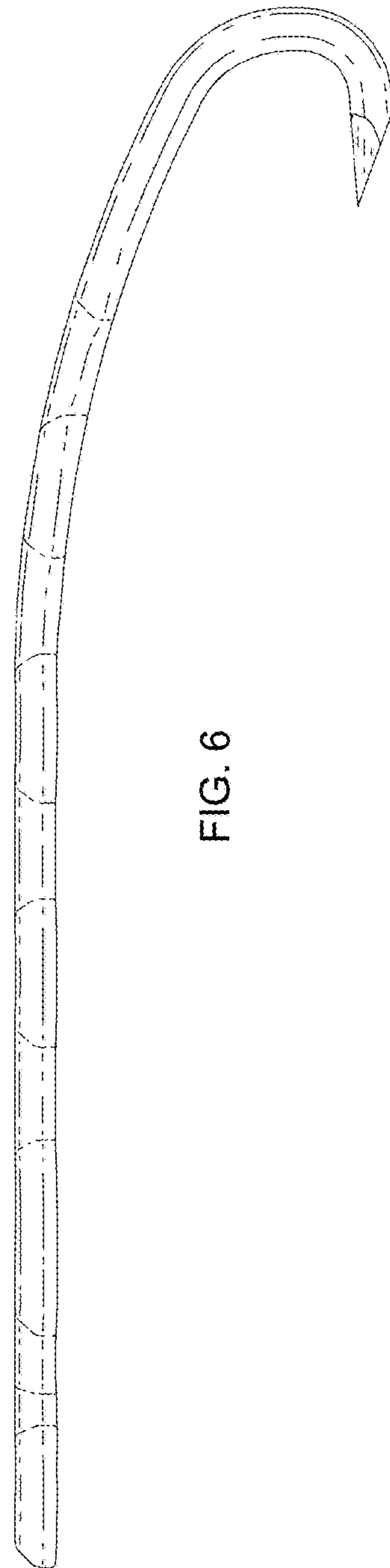


FIG. 6

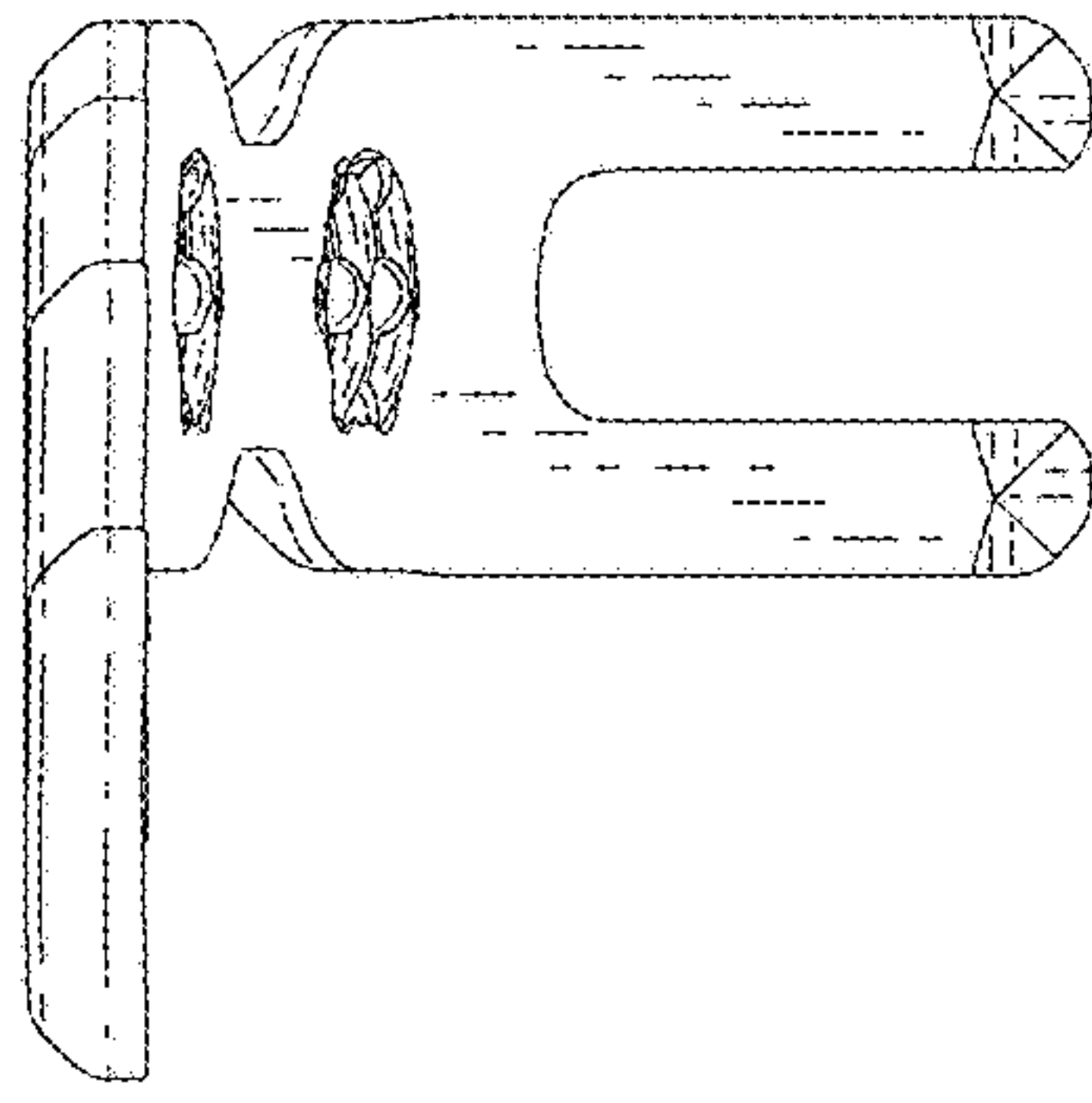


FIG. 8

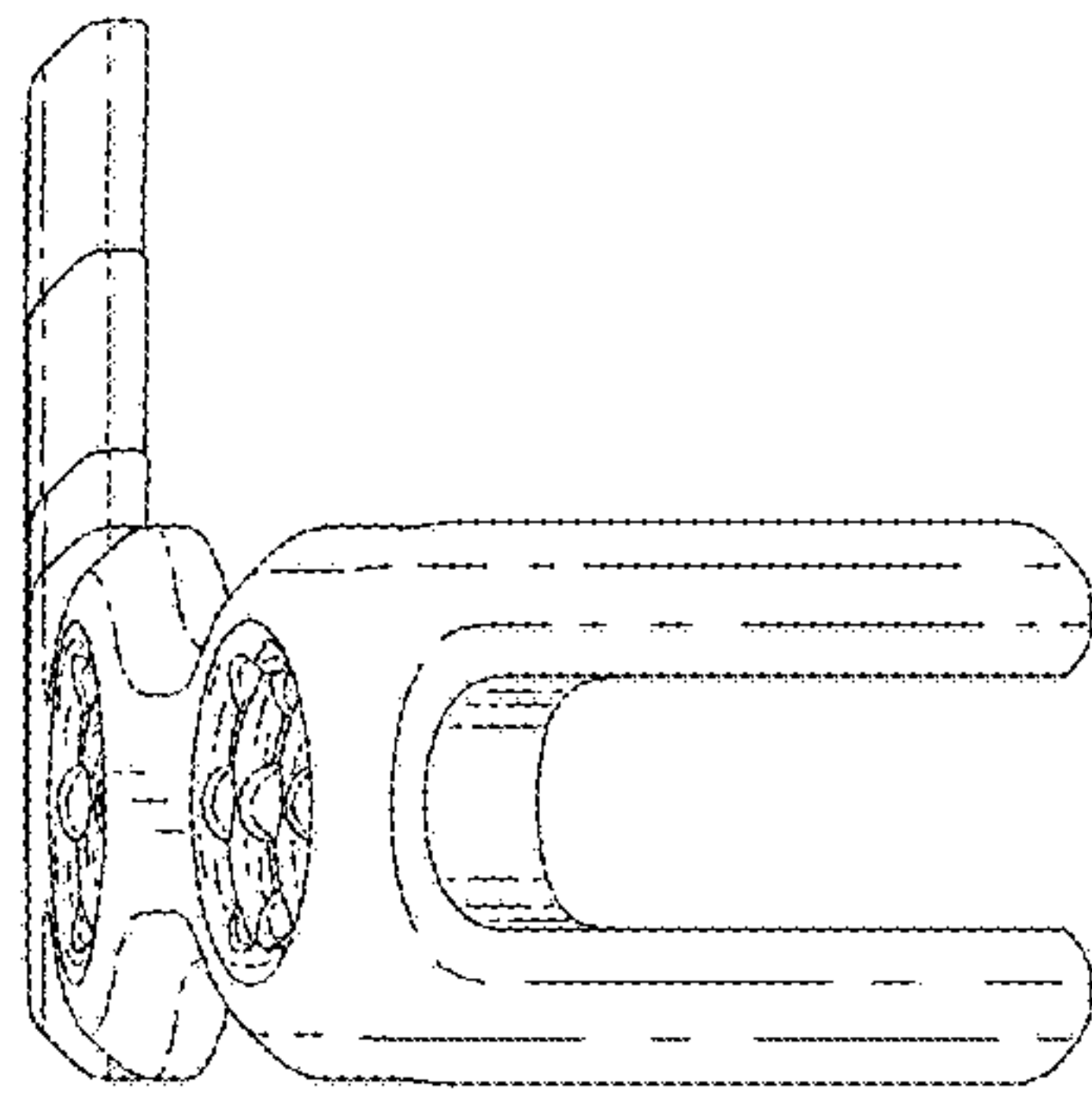


FIG. 7

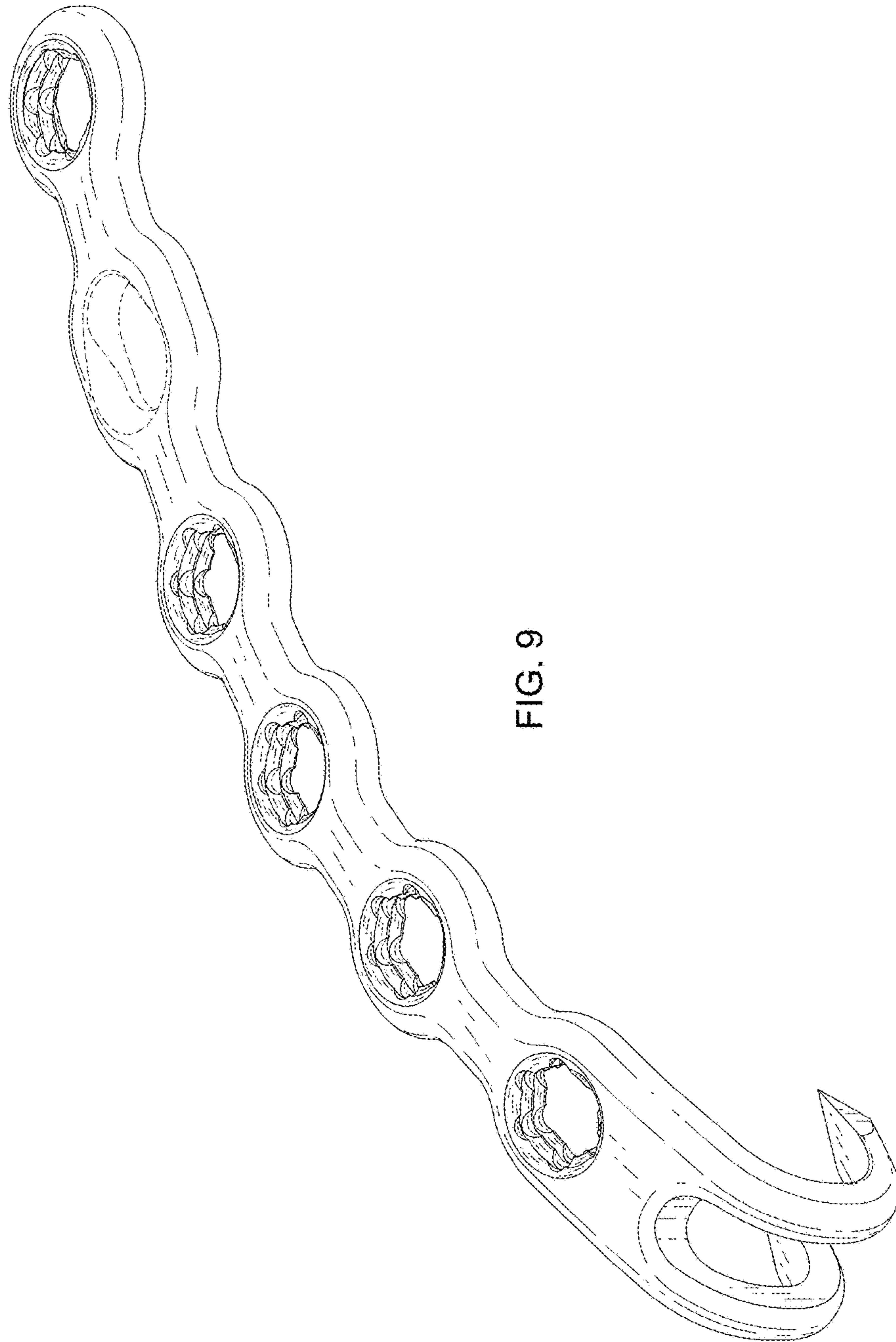


FIG. 9

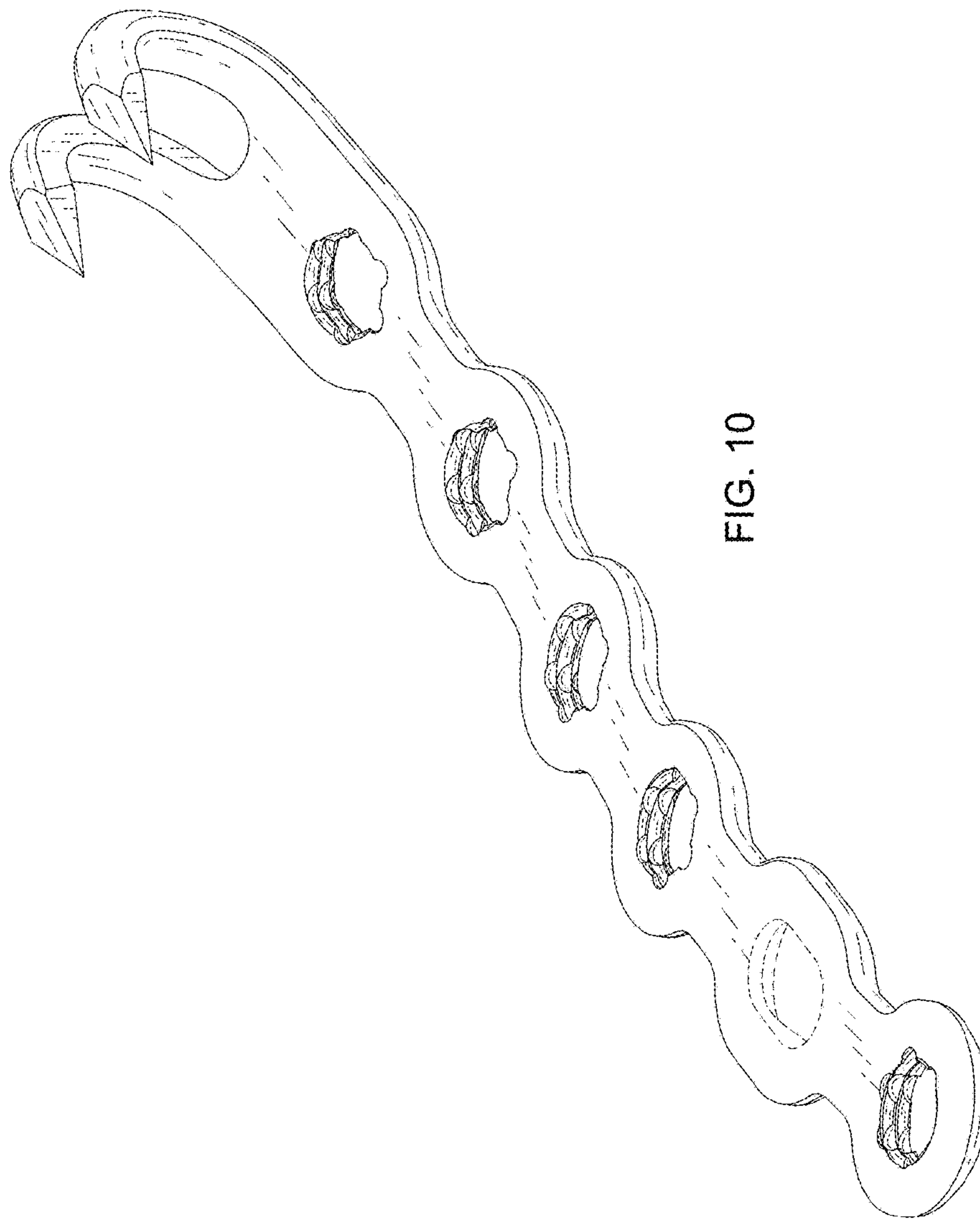


FIG. 10

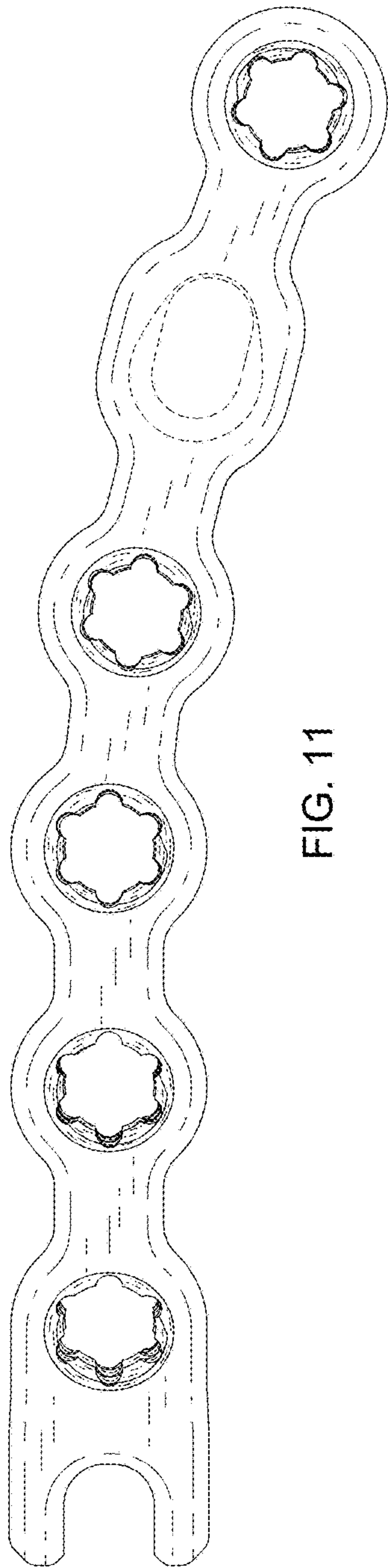


FIG. 11

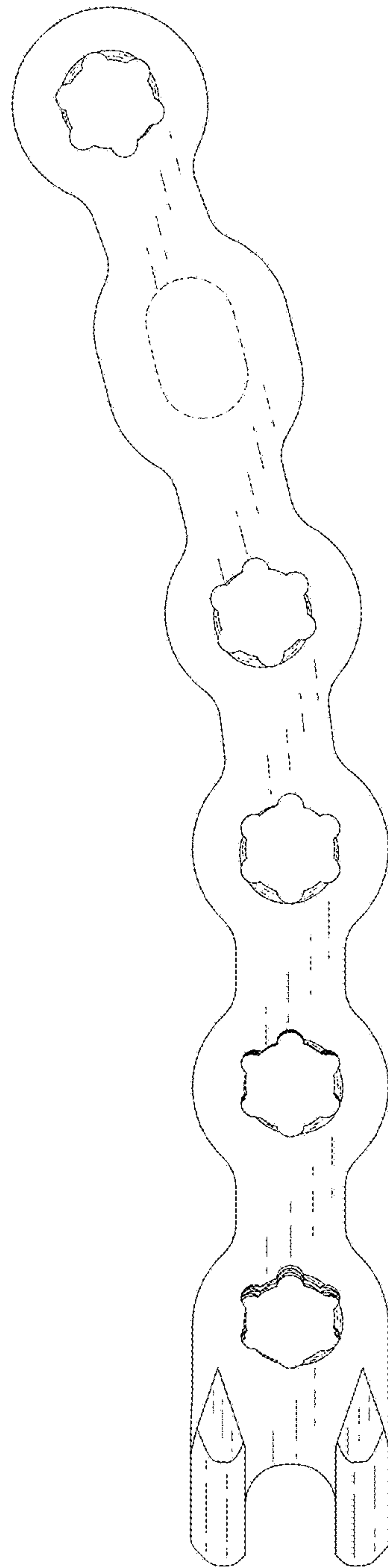


FIG. 12

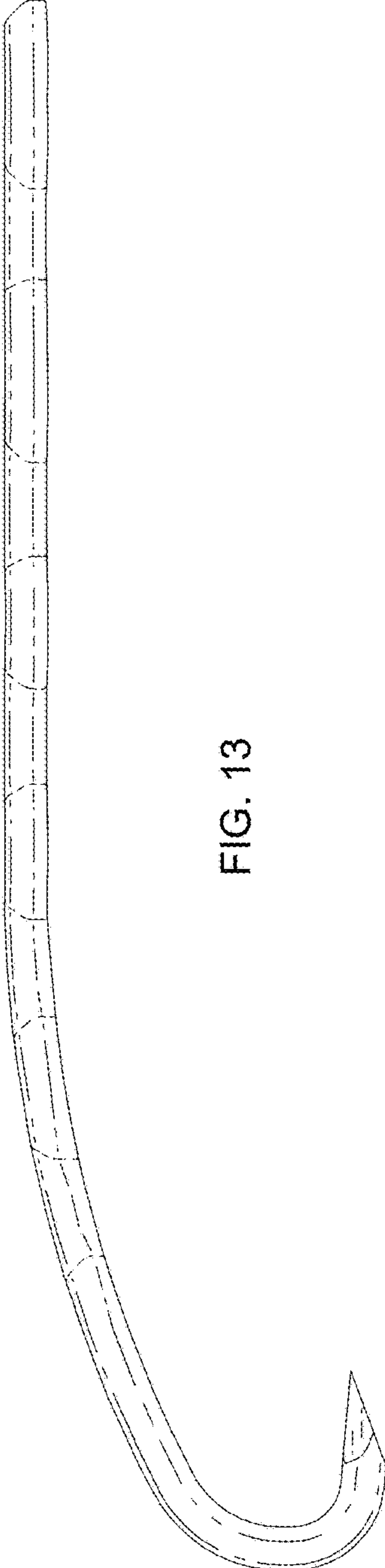


FIG. 13

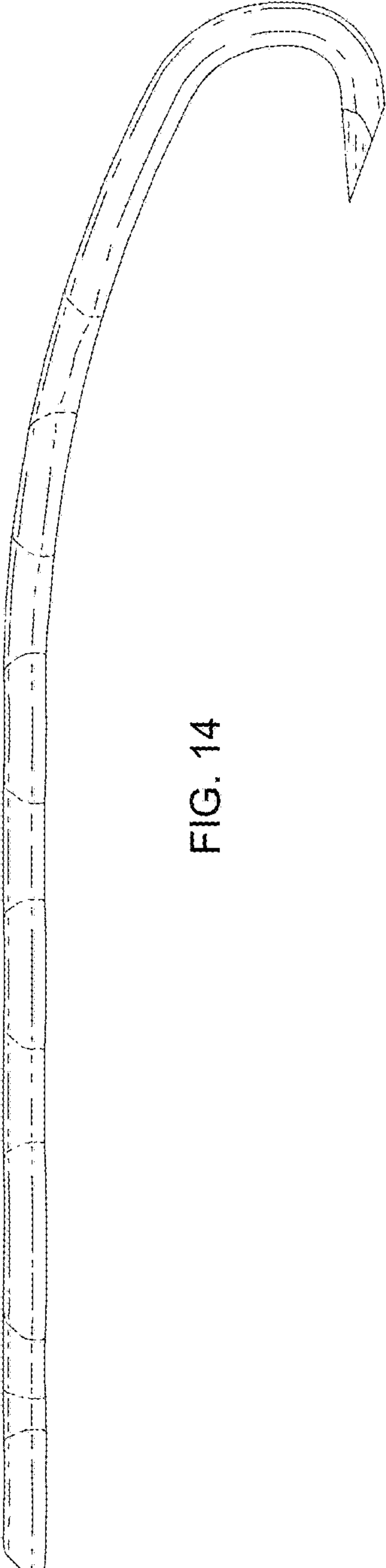


FIG. 14

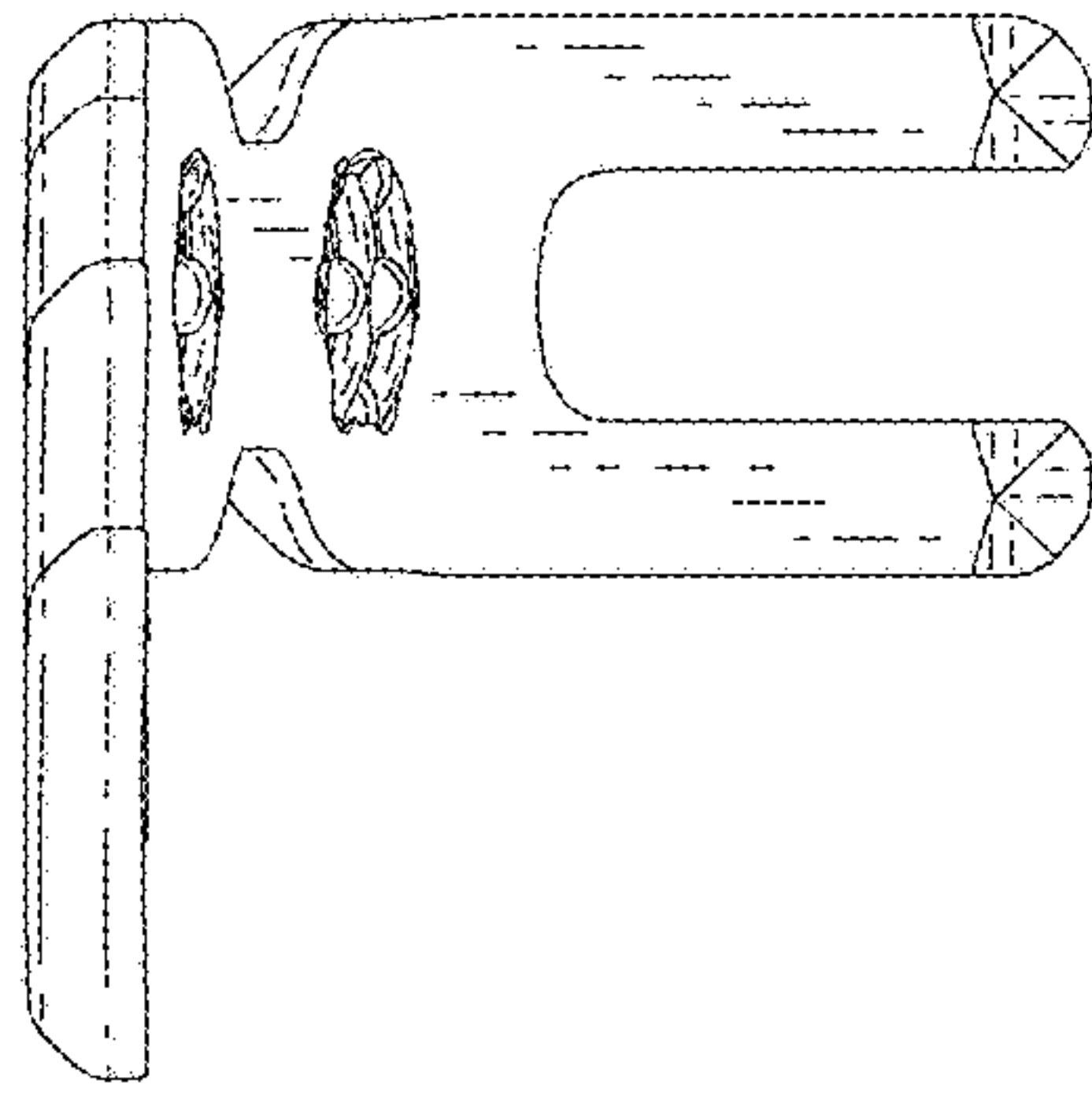


FIG. 16

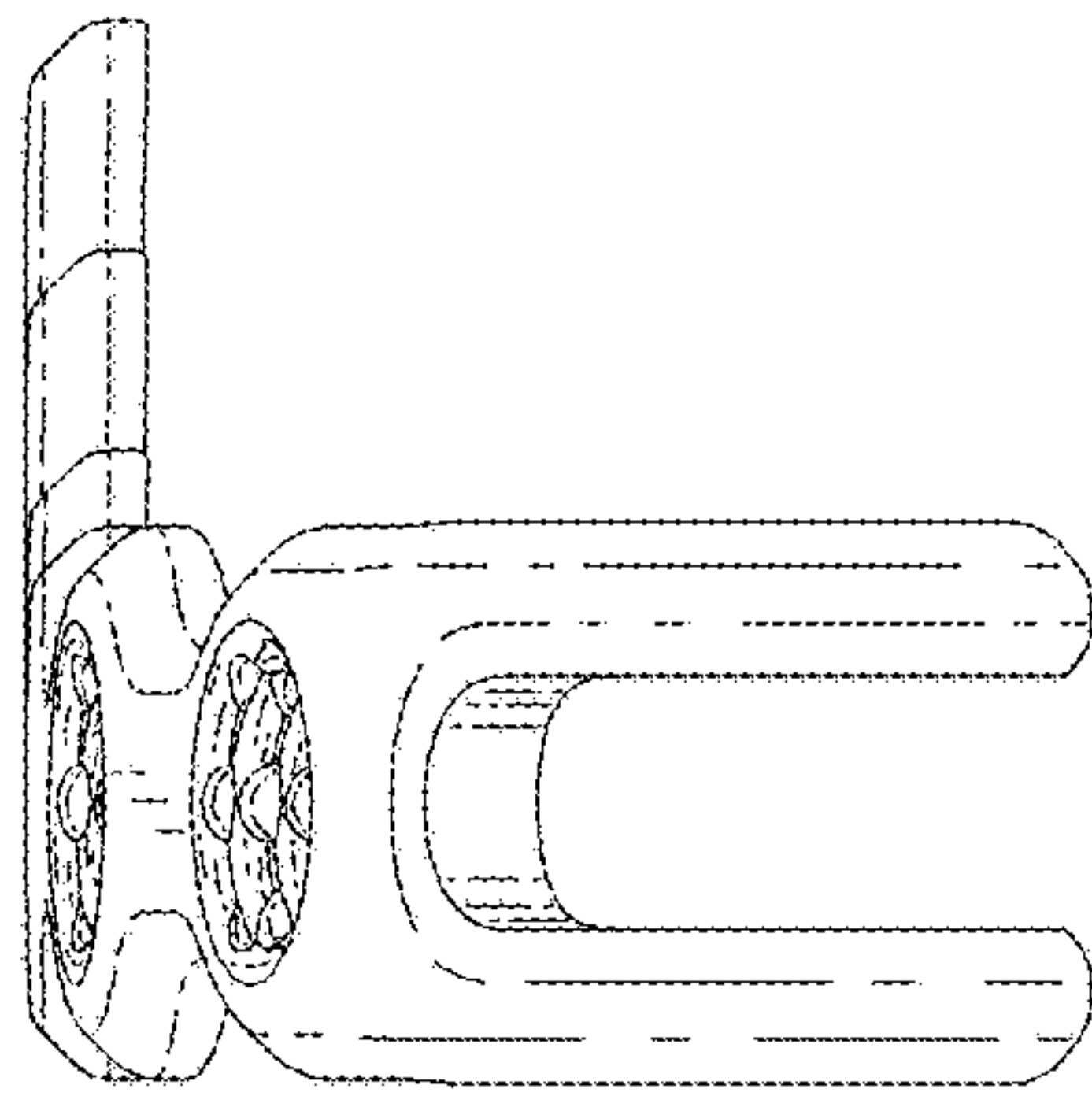


FIG. 15